



City of Naples

UTILITIES
SPECIFICATIONS
AND
STANDARDS
MANUAL

July 2013

INTRODUCTION
&
TABLE OF CONTENTS

INTRODUCTION AND TABLE OF CONTENTS

This Utilities Manual has been prepared to guide the design and construction of potable water, non-potable irrigation water (including reclaimed and reuse water), and wastewater system extensions to City of Naples (City or CITY) utilities; the Manual applies to utilities in new and existing developments in the City, as well as City Projects involving utilities.

In general, the CITY owns and maintains all potable water, non-potable irrigation water, and wastewater facilities within the public rights-of-way and CITY utility easements. As Owner of these public utilities, and as authorized by Federal, State, County, and City statutes and ordinances, the CITY reviews, approves and inspects all new construction of facilities to extend or supplement the existing systems.

The following standards shall be included in the design and preparation of plans and specifications for all utilities construction projects for the City of Naples, including utilities connected to the CITY's utilities systems or constructed for future transfer of ownership to the CITY. These standards are provided for uniformity in utilities construction within the City service areas, and represent MINIMUM standards acceptable to the CITY. They are not intended to eliminate, but shall supplement and direct the preparation of technical specifications by private developers (Developer) and their engineering consultants (Engineer).

The Technical Specifications included in these standards utilize the Construction Specifications Institute (CSI) Section Format™ and numbering system to present acceptable construction methods and materials. **Not all specification details may apply to an individual project; however, approval of utilities construction within the CITY will require conformance to applicable requirements of these specifications.**

NOTE: Go to the City website for the latest revision of the Utilities Manual with Detail Drawings.

TABLE OF CONTENTS

SECTION 1 DESIGN CRITERIA FOR POTABLE WATER, NON-POTABLE IRRIGATION WATER AND WASTEWATER FACILITIES

Part 1 Potable Water and Non-Potable Irrigation Water Systems

- 1.1 Pipe and Fitting Material
- 1.2 Design of Pipeline Size and Location
 - 1.2.1 Water Pipeline Sizing Criteria
 - 1.2.2 Distribution System Layout
 - 1.2.3 Pipeline Separation Criteria
 - 1.2.4 Valve Locations
- 1.3 Conflict Crossings
 - 1.3.1 Subaqueous Canal Crossings
- 1.4 Fire Service Systems
 - 1.4.1 Fire Service Meters for Residential Systems
 - 1.4.2 Fire Service Meters for Commercial and Non-residential Systems
- 1.5 Connections to Collier County Facilities
- 1.6 Water Services
 - 1.6.1 Service Pipelines
 - 1.6.2 Water Meters
- 1.7 Air Release Assemblies
- 1.8 Concrete Collars
- 1.9 Testing and Clearance Procedures
 - 1.9.1 Pigging
 - 1.9.2 Flushing
 - 1.9.3 Line Filling
 - 1.9.4 Chlorination
 - 1.9.5 Post Chlorination Flushes
 - 1.9.6 Bacteriological Samples
- 1.10 Laboratory Testing and Sample Collection

Part 2 Wastewater Collection and Transmission Systems

- 2.1 Gravity Sewer Systems
 - 2.1.1 Pipe and Fitting Materials
 - 2.1.2 Design of Pipeline Size, Depth and Location
 - 2.1.3 Gravity Sewer Main Extension Stubs
 - 2.1.4 Gravity Sewer Laterals
 - 2.1.5 Manholes
- 2.2 Force Mains
 - 2.2.1 Pipe and Fitting Materials
 - 2.2.2 Design of Pipeline Size and Location
 - 2.2.3 Valves
 - 2.2.4 Force Main Extension Stubs
 - 2.2.5 Air Release Assemblies
- 2.3 Pumping Stations
- 2.4 Connections to Collier County Facilities
- 2.5 Tests and Inspections

SECTION 2 TECHNICAL SPECIFICATIONS

DIVISION 1 - GENERAL REQUIREMENTS

01010	Summary of Work
01026	Measurement and Payment
01045	Connections to Existing Systems
01051	Alignment and Grades
01090	References
01400	Quality Control
01500	Construction Facilities and Temporary Controls
01510	Pre-Construction Audio-Video Recording
01570	Traffic Regulation and Public Safety
01600	Material and Equipment
01710	Cleaning
01730	Operation and Maintenance Manuals
01750	Project Record Documents

DIVISION 2 - SITEWORK

02050	Demolition
02110	Site Clearing
02151	Shoring, Sheeting and Bracing
02210	Pipe Removal and Abandonment
02222	Excavation – Earth and Rock
02223	Bedding and Backfilling
02226	Jacking, Augering and Mining
02230	Roadway Crossings by Open Cut
02275	NPDES Requirements for Construction Activities Impacting <u>More</u> Than One Acre
02276	Erosion and Sedimentation Control
02300	Horizontal Directional Drilling
02400	Restoration by Sodding or Seeding
02523	Sidewalks, Driveways and Curbs
02530	Groundwater Control for Open Cut Excavation
02575	Repair and Restoration of Pavement, Sidewalk, Etc.
02600	Fusible PVC Pipe for Installation by Horiz. Directional Drill (HDD)
02607	Manholes
02608	Concrete Coatings
02620	High Density Polyethylene (HDPE) Pipe and Fittings
02622	Polyvinyl Chloride (PVC) Pipe and Fittings
02623	Fusible PVC Pipe
02630	Ductile Iron Pipe (DIP) and Fittings
02645	Fire Hydrants
02650	Laying and Jointing Buried Pipelines
02675	Disinfection
02676	Pressure and Leakage Tests
02700	Irrigation Pond Liner
02830	Chain Link Fencing and Gate
02999	Restoration and Miscellaneous Work and Cleanup

DIVISION 3 - CONCRETE

03100	Concrete Formwork
03200	Concrete Reinforcement
03310	Concrete, Masonry Mortar and Grout
03410	Precast Concrete Structures

DIVISION 5 – METALS

0540	Metal Castings
------	----------------

DIVISION 13 - SPECIAL CONSTRUCTION

13501	Smoke Testing of Wastewater Collection Systems.
13510	Pumping Stations
13511	Televising and Inspection of Gravity Sewer Systems

DIVISION 15 - MECHANICAL

15100	Water Valves and Appurtenances
15110	Wastewater Valves and Appurtenances

SECTIONS XXII-XXVIII – LIFT STATION SPECIFICATIONS

SECTION 3 UTILITIES DETAIL DRAWINGS

SECTION 1

DESIGN CRITERIA

**Go to the CITY website below for the latest revision
of the Design Criteria:**

<http://www.naplesgov.com>

SECTION 1

DESIGN CRITERIA FOR POTABLE WATER, NON-POTABLE IRRIGATION WATER, AND WASTEWATER FACILITIES

PART 1 POTABLE WATER AND NON-POTABLE IRRIGATION WATER SYSTEMS

All potable water, non-potable irrigation (including reclaimed or reuse) water and raw water pipe, material, equipment and appurtenances shall be new, and shall conform to Section 2, Technical Specifications and Section 3, Utilities Detail Drawings. All material and equipment designed or used in connection with a potable (drinking) water system shall conform to the requirements of the National Sanitation Foundation (NSF) Standard 61, "Drinking Water System Components – Health Effects."

1.1 Pipe and Fitting Material

Potable water and non-potable irrigation water pipelines and fittings, except for service piping, shall be a minimum of six inches (6") in diameter, and have a minimum depth of thirty-inches (30") and a maximum depth of forty-eight inches (48") below finished grade. All potable water or non-potable irrigation water pipelines between six and fourteen inches (6"-14") in diameter shall be constructed of PVC or HDPE pipe, and shall utilize pipe meeting the requirements of the Technical Specifications. Water pipelines between sixteen inches and twenty-four inches (16"-24") in diameter may be constructed of ductile iron, HDPE, or PVC pipe. Water pipelines larger than twenty-four inches (24") in diameter shall be constructed of ductile iron pipe.

All pipe and pipe fittings shall contain no more than eight percent (8.0%) lead, and any solder or flux used shall contain no more than two-tenths of a percent (0.2%) lead. All pipe and pipe fittings installed shall be color coded or marked in accordance with F.A.C. 62-555.320(21)(b)3.

All HDPE and PVC buried pipelines shall be color-coded as described in the Technical Specifications. Potable water pipelines shall be Federal Safety Blue in color. Raw water pipelines shall be white in color. Non-potable irrigation, reclaimed and reuse water pipelines shall be pantone purple 522C in color.

All Ductile Iron, metal and concrete buried water main pipelines shall have blue stripes applied to the pipe wall. Pipes striped during manufacturing of the pipe shall have continuous stripes that run parallel to the axis of the pipe, that are located at no greater than 90 degree intervals around the pipe, and that will remain intact during and after installation of the pipe. If tape or paint is used to stripe pipe during installation, the tape or paint shall be applied in a continuous line that runs parallel to the axis of the pipe and that is located along the top of the pipe.

All buried water pipelines and mains, except those installed by horizontal directional drilling or jack-and-bore methods, shall be marked using plastic locator tape impregnated with metallic filings for HDPE and PVC pipe and non-magnetic for ductile iron pipe. The locator tape shall be placed in the pipe trench two feet (2') below grade or one-half the pipe's bury, whichever is less, and labeled "potable water" or "non-potable water" as applicable. Horizontal directional drilling shall include installation of locating tone wire as described in the Technical Specifications.

All water main aerial crossings shall be Pressure Class 350 flanged ductile iron pipe and shall be coated on the exterior using a suitable grade of appropriately colored, field applied (or factory applied with field touch-up as required) epoxy coating. Potable water mains shall be painted Federal Safety Blue. Raw water mains shall be painted white. Non-potable irrigation, reclaimed and reuse water mains shall be painted Pantone Purple 522C. Specific colors shall be subject to approval of the CITY Manager or designee. All nuts and bolts used in aerial crossings shall be 316 stainless steel. All canal, river or creek crossings shall be aerial, unless otherwise approved by the CITY Manager or designee. Aerial crossings shall be designed to incorporate valves or other flow regulation devices in accordance with F.A.C. 62-555.320(21)(b). Aerial crossings shall be designed to maintain existing or required navigational capabilities within the waterway and to reserve riparian rights of adjacent property Owners. Submit aerial pipe and flange computations, including support and anchor design, for review. The submittal must be signed and sealed by a Florida registered Professional Engineer. See also Section 02650 3.2.Q for more information.

1.2 Design of Pipeline Size and Location

1.2.1 Water Pipeline Sizing Criteria

All water mains to be maintained by the CITY shall be a minimum of six (6) inches in diameter. For dead end mains on short (300' or less) single family residential cul-de-sacs, hydraulic calculations shall show the capability of maintaining 750 gpm fire flow plus potable demand.

Water systems shall be designed to maintain adequate flows and pressures and water quality standards as established by Florida Department of Environmental Protection (FDEP), using the following criteria:

- A. Designs shall assume: 1) a minimum CITY source pressure under peak hourly flow conditions of 40 PSI, or system available pressure if less than 40 PSI, or developer shall make improvements/water main additions to get adequate pressure delivered from the closest CITY transmission main to the project.; and 2) a minimum CITY source pressure with fire flow under maximum day conditions of 40 PSI, or system available pressure if less than 40 PSI, or developer shall make improvements to get adequate fire flow and pressure delivered from the closest CITY transmission main to the project. Minimum residual node pressure within a proposed project system shall be 20 psi under peak hourly flow and maximum day with fire flow conditions.
- B. The design Engineer shall model the proposed system, including all dead ends, for chlorine dissipation assuming a chloramine residual of 2.0 mg/l at the entrance point to the project.

The following criteria shall be used to analyze model chloramine dissipation unless otherwise approved by the Public Utilities Water Director upon the submittal of specific case data:

- a) Occupancy of fifty percent (50%) to account for seasonal variations with the load evenly distributed throughout the project.
- b) Average occupancy per dwelling of 1.81 for single family and 1.42 for multi-family as established by the Water Master Plan as amended and adjusted for peak with a factor of 1.2 or 2.2 shall be used when modeling system performance.
- c) Consumption rate of 154 gallons per capita for single family and multi-family shall be used when establishing loading rates for system performance models.

d) Systems that are proposed to use or will use alternate irrigation sources shall use fifty percent (50%) of the loading rates for modeling chlorine/chloramine dissipation.

e) The standard decay rate is - 0.012 ppm per hour. The analysis assumes a static chlorine level of 2.0 ppm at the tapping point in front of a project. Using the decay rate and solving for the elapsed time from the initial chlorine level to the minimum chlorine level residual of 0.6 ppm in the following: $0.6 \text{ ppm} = 2.0 \text{ ppm} \times e^{-0.012 \text{ ppm} \times \text{#hours}}$ => time = 100.33 hours.

The Project Engineer shall submit an analysis letter to Community Development and Environmental Services as part of the review package, certifying that all points within the proposed system shall maintain a minimum level of 0.6 mg/l chlorine/chloramine residual under the conditions listed above.

Systems unable to meet minimum design requirements or maintain minimum chlorine residual levels shall not be eligible for ownership and maintenance by the CITY.

Water mains not designed to carry fire flows shall not have fire hydrants connected to them.

1.2.2 Distribution System Layout

Water distribution systems shall be designed so that all systems are located adjacent to, and are accessible from, paved or unpaved roadways so as to allow access for short and long term maintenance, repair and/or replacement of such system. Water mains shall not be placed beneath any existing or proposed building structure.

Generally, new potable water distribution systems shall be designed as “looped” systems to avoid dead ends. If changes in design during construction result in dead ends to any new or relocated water mains (except those serving a cul-de-sac), such dead ends shall be connected to the nearest water main. In cases where no nearby water main is available, dead end mains shall not exceed 300 feet in length and shall terminate temporarily in a blow-off, be full-bore flushed, then permanently ended with a hydrant or other flushing device approved by the Engineer of Record in accordance with F.A.C. Chapter 62-555.

All commercial facilities must be metered separately from residential facilities with the exception of those commercial facilities that are within a master metered residential development and designed for the exclusive use of the residents within such development. Master meters (for domestic or reuse purposes) and the first gate valve after the master meter (the valve between the meter and the backflow assembly or pressure reducing valve) shall be located within a minimum 15'X15' CITY Utility Easement (CUE), which shall be located outside of, but contiguous to, the road right-of-way (ROW). Any single residential unit domestic or reuse meter that is not in the ROW shall be located within a minimum 12'X12' CITY Utility Easement (CUE), which shall be located outside of, but contiguous to, the ROW. For any 3” and larger combination fire and domestic meter assembly and 3” and larger compound meter assembly, the meter and the valve after the meter (the valve between the meter and the backflow assembly) shall be dedicated to and owned by the CITY, and shall be located within a minimum 15'X15' City Utility Easement (CUE), which shall be located outside of, but contiguous to, the ROW. Any fire system detector check assembly on a for-fire-only dedicated line shall have an isolation valve at the City water main, plus an isolation valve in the ground just preceding the aboveground detector assembly, and such valves, if not located in the ROW, shall be located within a minimum 15'X15' City Utility Easement (CUE), which shall be located outside of, but contiguous to, the ROW, and which shall encompass the detector assembly as well; the City

shall own up until the valve in the ground preceding the fire system detector check assembly, and the fire detector check assembly shall be owned by the developer.

Water mains shall have a minimum setback of seven feet and six inches (7'6") from the centerline of the pipe to residential roadways, curb and gutters, permanent structures, or planting not specifically allowed by ordinance.

Water mains shall be designed parallel to accessible roadways and within the setbacks established herein above. Deviations from these design parameters shall only be approved in cases where such installations can be shown to be necessary in order to comply with minimum chlorine residuals or other FDEP quality parameters, unless otherwise approved by the CITY Manager or designee. In such cases, the water main shall be located within a separate tract of land or CUE dedicated to the City. Such tracts shall be delineated with fencing, landscaping, signage, pavement, or other methods determined to be acceptable to the City. All such installations shall require approval from the City. In addition, an agreement shall be provided authorizing the CITY to traverse all private property outside of the CUE for the purpose of access, maintenance, repair and/or replacement of such main. The agreement shall also hold the CITY harmless for any damage to the private property resulting from the CITY's maintenance, repair and/or replacement activities within or outside of the CUE.

1.2.3 Pipeline Separation Criteria

Potable water pipelines shall be separated from wastewater lines and /or stormwater lines by a minimum clear vertical distance of eighteen inches (18") and a horizontal distance of ten feet (10') in accordance with F.A.C. 62-555.314(5). The eighteen inches (18") minimum vertical separation distance does not apply to separations of sewer laterals and potable water pipeline installations. 57 stone shall be utilized for separation between wastewater lines and stormwater lines. Non-potable irrigation water pipelines 2" and larger shall be separated from potable water mains, wastewater lines and/or stormwater lines by a minimum clear vertical distance of eighteen inches (18") and a horizontal distance of five feet (5') as shown in the Utilities Detail Drawings. Wastewater lines shall be separated from stormwater lines by a minimum clear vertical distance of eighteen inches (18") and a horizontal distance of five feet (5'). Water mains shall preferably pass above storm lines, with an 18" minimum clearance, in which case water main shall be DR-14 PVC pipe, extended a minimum of 10' either side of storm line center, or 15' each side of storm drainage structure center. Any water main that must go under a storm line shall be ductile iron pipe Class 52 pipe, extended a minimum of 10' to each side of storm line center, or 15' to each side of a storm drainage structure center. All pipeline crossings with vertical clearance less than eighteen inches (18") shall be made using a full 20-foot (20') length of thickness Class 200 AWWA C900 PVC pipe, Class 235 AWWA C905 PVC pipe, or, if necessary, Pressure Class 250 ductile iron pipe centered on the crossing. The sewer pipe in these locations shall be back-filled with bedding stone or sand to a height six inches (6") above the crown of the pipe. When this standard cannot be maintained, the sewer line shall be concrete encased for a distance of ten feet (10') each way from the water line and any other conduit, with a minimum vertical clearance of twelve inches (12") being provided at all times. If a water line is under a wastewater line, an eighteen inch (18") minimum separation must be kept (see Cross Over Detail Drawing). All pipelines shall be successfully pressure tested to 150 psi after the concrete has properly cured.

Also see the separation requirements in Section 01045,1.3.F (City Damage Prevention Policy - separation distance from existing CITY Utilities), Section 02650, 3.2.P (Separation from Other

Pipe Systems), and Detail Drawings. If these separation criteria cannot be met, use FDEP 62-555.314.

Potable water, non-potable irrigation water, and wastewater pipelines shall be separated from telephone, power, cable and gas sleeves/lines and any other underground utilities by a minimum clear vertical distance of eighteen inches (18") and horizontal distance of five feet (5').

Potable water, non-potable irrigation water, and wastewater lines shall be separated from raw water mains by a clear vertical distance of eighteen inches (18") and a horizontal distance of ten feet (10'). Stormwater lines shall be separated from raw water mains by a clear vertical distance of eighteen inches (18") and a horizontal distance of five feet (5').

Wastewater lines shall be separated from public drinking water supply wells by a horizontal distance of 100 feet. Wastewater lines shall be separated from private drinking water supply wells by a horizontal distance of 75 feet. CITY approval will be required if the separation distance cannot be maintained.

Stormwater retention/detention ponds with a bottom elevation lower than the wet weather season water table shall be located a minimum of 300' away from raw water wells.

The encasement of potable water mains in concrete shall only be made after review and approval by the CITY Manager or designee.

1.2.4 Valve Locations

Valves shall be provided at all intersections and branches in sufficient numbers as to allow for zone isolation of distribution areas in order to limit impacts of line breaks and service disruptions to customers. In-line gate valves shall be provided in accordance with AWWA requirements and at no greater than one thousand foot (1000') intervals when no other valves exist within internal distribution systems. All gate valves 20-inches (20") and smaller shall be of the resilient-seated wedge type, conforming to AWWA C509 or C515, or latest revisions thereof. All valves shall be furnished with valve boxes extending to finished grade as shown in the Utilities Detail Drawings.

1.3 Conflict Crossings

All storm sewer, non-potable irrigation mains and wastewater transmission system conflicts with water systems or portion(s) thereof that must be crossed shall be performed using AWWA C900 Class 200 or C905 Class 235 PVC with ductile iron fittings. All fittings shall be adequately restrained using retainer glands, stainless steel rods, EBAA Iron Sales "Megalug," "Uni-flange," Romac Industries "Grip Ring," or Star restraint. Transitional fittings, when approved by the Engineer of Record, shall be located as close to the point of conflict as possible. Air release assemblies shall be provided as specified in Subsection 1.7 herein, below. Gradual deflection of the water line in lieu of using fittings to clear the conflict shall not be permitted if cover exceeds five feet (5'-0"). A minimum vertical clearance of eighteen inches (18") shall be provided between the water main and bottom of conflict. Wherever the eighteen-inch (18") minimum vertical clearance cannot be provided, CITY approval will be required. (City approval will not be required for separation of sewer laterals and potable water pipeline.)

1.3.1 Subaqueous Canal Crossings

Potable and non-potable subaqueous crossings shall be designed to a minimum depth of thirty-six inches (36") below the design or actual bottom, whichever is deeper, of a canal and other dredged waterway or the natural bottom of streams, rivers, estuaries, bays, and other natural water bodies. If not practicable to design the project with a minimum thirty-six inch (36") cover, alternative construction features must be installed to ensure adequate protection of the pipeline. Wherever the thirty-six inch (36") minimum vertical clearance cannot be provided, CITY approval will be required.

All subaqueous crossings must be introduced/discussed at a plan Pre-Submittal Conference. It is important that representatives from the Utilities Department be present for approval at the plan Pre-Submittal Conference.

A permanent easement is needed when there is no room available in the right-of-way.

When crossing watercourses, the following shall be provided:

- a) The pipe shall be of special construction (HDPE), having welded (butt fusion) watertight joints;
- b) Valves shall be provided at both ends of the subaqueous crossing for isolation, testing or repair of the line. The valves shall be easily accessible and not subject to flooding. The valve closest to the supply source shall be in a below grade vault as per FDEP requirements and constructed to meet FDOT standards. All welding shall be done above ground. Water, reclaimed water and wastewater lines shall have two (2) air release valves between the two valves;
- c) Permanent taps shall be made on each side of the valve within the manhole to allow insertion of a small meter to determine leakage and for sampling purposes. The taps will allow for a ¾" meter to be attached;
- d) The HDPE pipe shall be encased in HDPE DR11 casing;
- e) Pressure test according to Section 02676;
- f) Conform to HDPE Specifications, Section 02620.

Warning signs shall be placed along the banks of canals, streams, and rivers clearly identifying the nature and location of subaqueous crossings. The signs shall state the type of pipeline and the depth of pipeline below design or natural bottom of the water body. Warning sign shall be aluminum and have minimum dimensions of 4' wide by 2' high with a minimum of 2" lettering.

1.4 Fire Service Systems

All private fire service systems for sprinkler systems, wet standpipe systems and privately-owned or controlled distribution systems shall be metered and shall be installed with an appropriate back flow prevention device; these systems include any extensions to a development's existing fire system, any modifications to any outside of building part of an existing fire system, as well as any new lines going to new/existing development buildings. Metering requirements shall be classified by the type of development requiring fire service. The type of metering device will be specified in the following subsections, shall be sized by the Developer's Engineer and shall be purchased, owned and maintained by the private service owner. The CITY requires all privately-owned backflow devices to be certified at the time of installation and on an annual basis by a Certified Back Flow Tester (University of Florida, TREEO Center, or equivalent certification program). The results shall be submitted to the CITY Manager or designee. The CITY Manager or designee will require all privately owned metering devices to be certified for accuracy at the time of installation. Fire meter devices using a three quarter to two inch (¾" to 2") metering device shall be re-calibrated or replaced every ten (10)

years or replaced immediately upon meter failure. Fire meter devices greater than two inches (2") shall be re-calibrated to manufacturers specifications every ten (10) years or replaced immediately upon meter failure. The CITY Manager or designee will inform the owner by mail prior to the due date. Private owner(s) shall submit certification results to the CITY Manager or designee within sixty (60) days of the due date. All equipment and items downstream of the backflow device shall be tested for ownership and maintenance by the appropriate Fire District, and a letter of approval from the Fire District given by the developer to the City, before the City or County issues a C.O. for the property.

1.4.1 Fire Service Meters for Residential Systems

Residential projects such as, but not limited to, single family, multi-family condominiums, trailer parks, mobile home parks, etc. utilizing a master meter shall pass all fire flow through such meter. The meter shall be sized to pass the domestic coincident draft plus rated fire flow at the AWWA pressure loss specifications. On dual water systems with fire and domestic flows in separate pipelines downstream of the master meter, the fire line shall have a Fire Service rated meter, approved by the CITY Manager or designee, with appropriate backflow protection.

1.4.2 Fire Service Meters for Commercial and Other Non-Residential Systems

Commercial projects such as, but not limited to, shopping centers, malls, retail, airport airplane hangers, and industrial buildings, but not including parks, shall have a separate fire service connection to the water distribution main. A Fire Service rated meter, approved by the CITY Manager or designee, with appropriate backflow protection shall be installed on the fire line. The Fire Service meter and isolation valves shall be extended above final grade as shown in the Utilities Detail Drawings. For meter reading purposes, metering devices shall lie within a CITY Utility Easement (CUE) that shall be dedicated separately to the City in conjunction with the easements for any on-site utility system(s).

The Owner shall purchase and install an approved AMR meter and an approved backflow assembly at no expense to the City.

1.5 Connections to CITY Facilities

Connections to existing CITY water mains shall be constructed as described in Section 2, Technical Specifications and shown in Section 3, Utilities Detail Drawings. These details shall apply to all connections to existing systems including, but not limited to, hot taps and extensions from existing dead end systems. A section of pipe shall be inserted into the gap to connect the new construction to the existing systems for the purpose of accomplishing line flushing. Immediately upon completion of the flush, the connection shall be removed. The jumper shall be replaced and in place until final connection is authorized by the CITY Manager or designee and approved by the FDEP at the completion of construction and after satisfactory completion of all test procedures and bacterial clearance of the new water system or portion(s) thereof.

Steam condensate, cooling water from engine jackets, or water used in conjunction with heat exchangers shall not be returned to potable water mains.

1.6 Water Services

1.6.1 Service Pipelines

All building lots and parcels of land within a development on the opposite side of the roadway from a water main, or that do not have an accessible water main fronting the location of the proposed meter location, shall be provided with a means for water service by the developer. Accessibility to these lands shall be provided by the installation of water service conduits. Conduits shall be a minimum of four-inch (4") diameter PVC, with a minimum cover of 24 inches. Such pipelines shall extend at least five (5) feet past the edge of pavement, sidewalk, bike path or any other improvement and shall run from lot corners on one (1) side of the street to a lot corner on the opposite side and shall be capped and marked with a magnetic marker. Markers shall be 3M markers or Engineer of Record approved equivalent. Service pipelines shall be polyethylene of a minimum diameter of two inches (2") long-side and one-and-one-half inches (1 ½") short-side.

1.6.2 Water Meters

All water meters larger than two inches (2") shall be installed above ground. These meters shall be equipped with a backflow preventer and installed by the Contractor at his expense. The type of backflow device utilized shall be as shown on the Detail Drawing.

All large potable meters shall be purchased by the owner and installed by the Developer's Contractor. The systems' master meter assemblies shall be built in accordance with the current design details shown in the Utilities Detail Drawings. Alternate designs may be permitted upon submission of design details for review and approval. The location of all meters (potable and non-potable) shall be clearly shown on the construction plans.

All potable water and/or non-potable irrigation water meters shall be equipped to accept the CITY's Automatic Meter Reading (AMR) units shown on the Utilities Detail Drawings. Two-inch (2") and smaller meter units will be installed by the CITY. On meters 3-inches and larger contact the CITY at (239) 213-4717 to determine the necessary AMR equipment for the meters. All meters shall be turned over to the technician performing the full bore flush prior to the acceptance of the meter.

Temporary meters may be applied for by phoning or visiting the City Permit Building between 8:00 a.m. and 4:30 p.m., Monday through Friday, under the conditions provided by the ordinance.

Temporary meters shall be installed for the purpose of supplying construction water to meet the CITY requirement for new water line construction as listed below and require a minimum of forty eight (48) hours advance notice. All backflow devices shall be reduced pressure type and shall be certified as required by the ordinance, provided by the Contractor, and be of an approved type.

Temporary meters shall be installed as shown in the Utilities Detail Drawings.

1.6.3 Reclaimed Irrigation Water Hose Bibs

Any hose bibs connected to the City of Naples reclaimed irrigation water system, whether within a development or in the ROW, shall have a counter-sunk square nut (FDEP regulation) to open or close the valve, be a minimum of twelve inches (12") above grade, and be in accordance with all FDEP regulations concerning this subject. There shall be a warning sign nearby, preferably purple, warning hose bib users not to drink the reclaimed irrigation water – the sign shall state "Do not drink – reuse/recycled/non-potable [use any of these preceding words] water – No

Beber," with an international symbol of a cup with a diagonal slash through it. Examples of signs can be found at safety-signs.com/compliance/signs.com at telephone number 1(800)578-1245.

1.7 Air Release Assemblies

Air release assemblies shall be installed at all high points on transmission mains where air will not be released through service lines, and on both sides of conflict crossings (unless it can be demonstrated by hydraulic analysis that air pockets will not accumulate at individual high points). In cases where reversal of flow is not expected, the air release assembly shall be provided at high points and on the upstream side of conflict crossings. A high point is defined by the hydraulic gradient and is considered the upper end of any pipe segment that slopes up to the hydraulic gradient or runs parallel to it. The design engineer shall review and apply the pertinent provisions of AWWA-C512 and AWWA Manual of Water Supply Practices M51, "Air-Release, Air Vacuum, and Combination Air Valves." For potable water or non-potable irrigation water mains sixteen inches (16") and greater, the design engineer shall be responsible for air valve selection and sizing. An isolating valve shall be provided below the air valve to allow removal of the valve assembly. All air release assemblies shall be installed as shown in the Utilities Detail Drawings.

1.8 Concrete Collars

All gate valve boxes, air release assembly and permanent sample points outside paved surfaces shall be provided with a concrete collar set to finish grade. Such collar(s) shall have a minimum thickness of six inches (6") and the outside dimension of the pad and the reinforcement shall be as shown in the Utilities Detail Drawings. Concrete shall have minimum compression strength of 3000 psi at twenty eight (28) days.

1.9 Testing and Clearance Procedures

All water systems or portion(s) thereof shall be subjected to pressure testing and disinfection conforming to the AWWA Standards C600, C602, C605 and C606, or latest revision(s) thereof.

Under no circumstances shall any person other than an authorized CITY Water Department employee operate valves, make service taps or otherwise tamper with CITY Distribution system or portion(s) thereof. Failure to comply with these requirements will place such individual in jeopardy of legal action by the CITY pursuant to U.S. Code, CITY Ordinances and/or Resolutions in effect at the time of the violation.

1.9.1 Pigging

All lines larger than twelve inches (12") in diameter shall be pigged with a new pig to clear debris prior to flushing. Refer to specifications section 02675, 3.1.

1.9.2 Flushing

Flushing shall be coordinated with CITY Water Distribution personnel and shall require forty eight (48) hour notice to Water Distribution prior to performance. During flushing the Contractor will be permitted to install a spool piece to close the gap specified in the jumper as shown in the Utilities Detail Drawings. Flush velocity shall be at least 2.5 feet per second, with a maximum of

4.0 feet per second. Upon completion of such flushing, connection to the CITY's systems or portion(s) thereof shall be returned to the configuration shown in the Utilities Detail Drawings.

1.9.3 Line Filling

Lines under construction shall be filled utilizing water supplied by the temporary meter and such filling shall be performed by the Contractor in accordance with required procedures including those outlined herein below.

1.9.4 Chlorination

Line chlorination shall be performed utilizing water supplied by the temporary meter for the purpose of chlorinating newly constructed potable water lines. Such procedure shall be performed by the Contractor, and shall require forty eight (48) hour notice to Water Distribution prior to performance.

1.9.5 Post-Chlorination Flushes

The Contractor using the temporary construction meter shall perform Post Chlorination Flushes. All chlorine injected into the system for disinfection shall be flushed from the system at least twenty four (24) hours prior to collection of Bacteriological samples.

The initial flush volume equal to the volume of water main being flushed shall be captured and properly disposed of, such that no chlorinated water enters into a storm water system and/or is discharged to the ground; all regulatory requirements for the protection of the environment shall be met.

1.9.6 Bacteriological Samples

Bacteriological sample collection shall be performed utilizing water supplied by the temporary meter in order to supply pressure during sample collection of newly constructed potable water lines. Such procedure shall require forty eight (48) hour notice to Water Distribution prior to performance. These procedures shall be performed on Monday through Thursday, excluding holidays, unless otherwise directed by the CITY Manager or designee.

1.10 Laboratory Testing and Sample Collection

All new potable and raw water systems shall be subject to bacteriological sample collection and testing. Sample collection and laboratory analyses shall be performed by CITY certified laboratory technicians only. The Contractor or his agent shall provide the equipment required in Section 2, Technical Specifications, to supply a continuous sample at the points indicated on the engineer's construction drawings. Sample points having a one (1) day total of two hundred (200) non-coliform bacteria or greater shall be considered as failed samples. Samples containing one (1) coliform bacteria or greater shall be considered as a failed sample. All potable water systems shall pass bacteriological tests within thirty (30) days prior to being placed in service.

Sample collection and sample laboratory analyses costs shall be borne by the developer. For Utilities Capital Projects that are run by the CITY for the CITY, one set of tests (including water costs) are provided by the CITY free of charge and the contractor shall pay for any additional tests.

PART 2 WASTEWATER COLLECTION AND TRANSMISSION SYSTEMS

All wastewater pipe, material, equipment and appurtenances shall be new, and shall conform to Section 2, Technical Specifications and Section 3, Utilities Detail Drawings.

Wastewater systems shall be designed to maintain adequate flows and pressures and water quality standards as established by Florida Department of Environmental Protection (FDEP).

All wastewater projects shall be designed to preclude the deliberate introduction of storm water, surface water, groundwater, roof runoff, subsurface drainage, swimming pool drainage, air conditioning system condensate water, non-contact cooling water and sources of uncontaminated wastewater as specified in F.A.C. Chapter 62-610.

2.1 Gravity Sewer Systems

2.1.1 Pipe and Fitting Materials

Gravity sewer pipe and materials shall conform to Technical Specifications for polyvinyl chloride (PVC) pipe and fittings. All pipelines shall be green in color.

2.1.2 Design of Pipeline Size, Depth and Location

All gravity sewer mains constructed shall be a minimum of eight inches (8") in diameter. The minimum depth of cover over all gravity sewers shall be thirty-six inches (36"). All gravity sewer designs shall consider buoyancy of sewers, and appropriate construction techniques to prevent floatation of the pipe where high groundwater conditions are anticipated.

All gravity mains eight inches (8") or larger are allowed to be core bored into existing manholes. The manhole must be restored as per Section 02607. An inspector from the Wastewater Collections Department must be present during manhole restoration. Drop connections will be required if the invert elevation is greater than two feet (2').

Hydraulic Design Requirements - All gravity sewers shall be designed to give mean velocities, when flowing full or half-full of not less than two feet (2.0') per second, based on Manning's formula. When calculating full-flow velocity, use a Manning's Roughness Coefficient of $n=0.013$. Design wastewater system with uniform slope between manholes. The following are the minimum allowable design slopes that may be provided for each pipe size listed:

Minimum Slope in Feet per One Hundred Feet (ft/100'):

Sewer Size	Slope (ft/100 ft)	Sewer Size	Slope (ft/100 ft)
8 inch	0.40	18 inch	0.12
10 inch	0.28	21 inch	0.10
12 inch	0.22	24 inch	0.08
15 inch	0.15		

Special attention shall be given to gravity lines that receive flows from wastewater transmission or re-pumping facilities. Due care shall be taken in these cases to ensure that no surcharge

conditions occur downstream due to excessive flow rates. Under no conditions shall pipe of a diameter larger than that necessary for proper hydraulic design as determined by the CITY Community Development and Environmental Services Division or Public Utilities Engineering Department be permitted for use on any project.

Sewers to be located on 20% slopes or greater shall be designed with anchors secured into concrete with anchors spaced as follows:

Grade Range	Anchor Spacing
20% - 35%	36 feet center to center
35% - 50%	24 feet center to center
50% and higher	16 feet center to center

Pipeline separation criteria and conflict crossings criteria shall conform to the requirements described in Part 1, Sections 1.2.3 and 1.3.

All sewers shall be designed to prevent superimposed loads.

2.1.3 Gravity Sewer Main Extension Stubs

All main-line extension stubs to future developments and/or parcels shall terminate in a stub-out if it is part of a phased project. The stub-out shall end with a bell.

2.1.4 Gravity Sewer Laterals

Laterals shall be extended to the property line or easement limit for all installations. New laterals are required for new houses or duplexes that are replacing an existing house or duplex, and any type of residential, commercial, or industrial development with existing laterals made of cast iron, asbestos cement, or material other than PVC.

Laterals shall be a minimum of six inches (6") in diameter, except for houses, which shall be a minimum of 4" in diameter. Service lines shall be installed at such grades as will adequately serve the properties, with a minimum of 1% slope for 6" laterals, and 2.1% for 4" diameter laterals. Lateral shall have a minimum depth of thirty-inches (30") and a maximum depth of forty-eight inches (48") below finished grade. In locations where a minimum depth of thirty inches (30") cannot be provided, laterals shall be ductile iron pipe unless the length of lateral is thirty feet (30') or less. In such cases the lateral shall be C900, DR 14 PVC pipe. At no time shall the depth of a lateral be less than twenty-four inches (24"). At no time shall a lateral be core bored into manholes. Upon installation, all lateral ends shall be plugged. A 6" minimum cleanout shall be provided at the end of each lateral prior to the end plug. Typical lateral and cleanout standards are shown in the Utilities Detail Drawings. The cleanout riser and cap shall be set twenty-four inches (24") above finished grade. All sewer lateral ends shall be provided with a 3M or Engineer of Record approved equal magnetic marker. Magnetic markers shall be secured to top of lateral about twenty-four inches (24") underground, near cleanout, for CITY inspector to see during final plumbing tie-in inspection. At no time shall the connection to the lateral be made to the cleanout riser or any part of the vertical assembly. A single lateral shall be provided to each billable entity or a single lateral with a double wye shall be provided to each billable entity.

2.1.5 Manholes

Manholes shall be installed at the end of each wastewater main, at all changes in grade, size, or horizontal alignment, and at all main pipe intersections, shall be spaced at distances not greater than four hundred feet (400') and shall be placed in roads. For sanitary sewers with a diameter greater than fifteen inches (15"), the recommended maximum distance between manholes is four hundred fifty feet (450'). All gravity collection mains shall terminate in a precast manhole.

Minimum inside diameter of all manholes shall be four feet and zero inches (4'-0"). A drop pipe shall be provided for a sewer entering a manhole at an elevation of twenty-four inches (24") or more above the manhole invert. Drop manholes shall be constructed with an outside drop connection encased in concrete, as shown in the Utilities Detail Drawings. See FDEP Wastewater Checklist Form 62-604.300(8)(a), "Manholes" section, for further design requirements, as well as Specification Section 02607 and the Detail Drawings.

A master manhole shall be required when constructing a wastewater pumping/lift station. This manhole shall have only one effluent pipe to the pumping/lift station.

2.2. Force Mains

2.2.1 Pipe and Fitting Materials

Force main pipelines and fittings shall be a minimum of four inches (4") in diameter. All force mains between four and fourteen inches (4"-14") in diameter shall be constructed of PVC or HDPE pipe and shall utilize pipe meeting the requirements of the Technical Specifications. Force mains between sixteen inches and twenty-four inches (16" - 24") in diameter shall be constructed of ductile iron, HDPE, or PVC pipe. Force mains larger than twenty-four inches (24") in diameter shall be constructed of ductile iron pipe.

Deviations from the minimum 4" diameter pipeline design parameters shall only be approved in cases where such installations are necessary in order to comply with minimum FDEP velocity requirements. Whenever the minimum 4" diameter pipeline cannot be provided, CITY approval will be required. The Owner shall be responsible for maintaining 700 feet of the smaller diameter force main located within the CITY right of way. No check valve will be required.

Due to minimum velocity requirements as set forth by the FDEP, 1-1/2" diameter force mains may be required. If so, force mains shall conform to Section 2, Technical Specifications. All HDPE and PVC buried pipelines shall be color-coded as described in the Technical Specifications. Force main pipelines shall be green in color.

Buried force mains, except those installed by directional drill or jack-and-bore methods, shall be marked using plastic locator tape, impregnated with metallic filings for PVC pipe and non-magnetic for ductile iron pipe. The locator tape shall be placed in the pipe trench at two feet (2') below grade or one-half the depth of the pipe's bury, whichever is less, and labeled "WASTEWATER FORCE MAIN." 3M Brand full range wastewater magnetic markers or Engineer of Record approved equivalent shall be secured onto top of force main no greater than every two hundred fifty feet (250') and at all fittings and at any change of direction.

All force main aerial crossings shall be Pressure Class 350 flanged ductile iron pipe and shall be coated on the exterior using a suitable grade of Safety Green colored, field applied (or factory applied with field touch-up as required) epoxy coating. Specific color shall be subject to approval of the CITY Manager or designee. All nuts and bolts used in aerial crossings shall be stainless steel. All canal, river or creek crossings shall be aerial, unless otherwise approved by

the CITY Manager or designee. Aerial crossings shall be designed to incorporate valves or other flow regulation devices in accordance with F.A.C. 62-604.400(2)(k)5. Aerial crossings shall be designed to maintain existing or required navigational capabilities within the waterway and to reserve riparian rights of adjacent property Owners. Submit aerial pipe and flange computations, including support and anchor design, for review. The submittal must be signed and sealed by a Florida registered Professional Engineer.

2.2.2 Design of Pipeline Size and Location

Force mains shall be sized to provide a desired flushing velocity of two and one-half feet (2.5') per second with a minimum allowable velocity of two feet (2') per second. The minimum size force main conveyed to the City shall be four inches (4") in diameter. When the Hazen-Williams formula is used to calculate friction losses through the force main, the value for "C" is 100 for unlined iron or steel pipes. For other smooth pipe materials, such as PVC, HDPE and lined ductile iron, the value for "C" shall not exceed 120.

Minimum cover for force mains shall be thirty inches (30"). Maximum cover shall be forty-eight inches (48") after final project grading is complete except when dipping under conflicts in which case the force main shall be returned to normal depth within ten feet (10') on either side of the conflict or as soon as possible using a fitting of forty-five degrees (45°) or less.

Force mains shall be interconnected with a gravity sewer system, for transmission purposes through that system, as shown in the Utility Standard Drawings, unless the connection is made directly in a terminus, upstream manhole at the manhole invert and the Engineer of Record has hydraulically demonstrated that connection to an in-line manhole will not cause a surge condition or disruption to the flow within the gravity sewer system. Connections to any manhole shall be made using a flexible boot with stainless steel strap. Thrust restraint transitioning to the manhole shall be designed by the Engineer and detailed on the construction drawings. No force main laterals shall be core bored into manholes.

Pipeline separation criteria and conflict crossings criteria shall conform to the requirements described in Part 1, Sections 1.2.3 and 1.3. Force mains shall not be placed beneath any existing or proposed building structure.

2.2.3 Valves

All connections of privately-owned and maintained wastewater force mains to the Wastewater Department's force mains shall be connected through a check valve housed in a structure as shown in the Utilities Detail Drawings which shall allow performance of required maintenance, and shall be owned and maintained by the property owner.

Sufficient plug valves shall be provided to allow for zone isolation of wastewater transmission areas in order to limit the impact of line breaks. In-line gate valves shall be provided at no greater than one thousand foot (1,000') intervals per CITY requirements.

2.2.4 Force Main Extension Stubs

All main-line extension stubs to future developments and/or parcels shall terminate in a stub-out if it is part of a phased project. The stub-out shall end with a valve.

2.2.5 Air Release Assemblies

Air release assemblies shall be provided at all high points and on the upstream side of conflict crossings at which the force main passes under the conflict (unless it can be demonstrated by hydraulic analysis that air pockets will not accumulate at individual high points). A high point is defined by the hydraulic gradient and is considered the upper end of any pipe segment that slopes up to the hydraulic gradient or runs parallel to it. Air valves utilized on raw sewage facilities shall be designed and manufactured specifically for use with domestic sewage. The design engineer shall review and apply the pertinent provisions of AWWA-C512 and AWWA Manual of Water Supply Practices M51, "Air-Release, Air Vacuum, and Combination Air Valves". When installed, the air valve shall be provided with a shut-off valve to allow isolation and removal of the valve assembly. All air release assemblies shall be installed as shown in the Utilities Detail Drawings.

2.3 Pumping Stations

Wastewater pumping stations shall be designed and constructed in accordance with accepted engineering practices, regulatory requirements, Section 2 Technical Specifications, National Electrical Code (NEC) Requirements, and in the Utilities Detail Drawings.

Pumping Station sites located within high water tables shall be designed to withstand floatation forces when empty. The design shall consider the potential for damage or interruption of operation because of flooding. Pump station structures and electrical and mechanical equipment shall be designed to be protected from physical damage by the 100-year flood. Pump stations shall be designed to remain fully operational and accessible during the 25-year flood unless lesser flood levels are appropriate based on local considerations, but not less than the 10-year flood.

Pump stations shall be designed to be readily accessible by maintenance vehicles during all weather conditions. Pump stations shall be designed and located on the site to minimize adverse effects from odors, noise and lighting.

Pump stations shall be designed to avoid operational problems from the accumulation of grit.

The effective volume of wet wells shall be based on design average flows and a filling time not to exceed 30 minutes unless the facility is designed to provide flow equalization. The pump manufacturer's duty cycle recommendations shall be utilized in selecting the minimum cycling time.

2.4 Connections to CITY Facilities

Connections to existing CITY wastewater mains shall be constructed as described in the Technical Specifications and shown in the Utilities Detail Drawings. These details shall apply to all connections to existing systems.

All projects shall be designed with no physical connections between a public or private potable water supply system and a sewer or force main and with no water mains passing through or coming into contact with any part of a sewer manhole.

2.5 Tests and Inspections

Tests and inspections of all wastewater systems or portion(s) thereof shall be performed in accordance with the Technical Specifications before acceptance of the systems or portions thereof by CITY.

END OF SECTION

SECTION 01010
SUMMARY OF WORK

PART 1 GENERAL

1.1 SECTION INCLUDES

- A. Description of Work
- B. CONTRACTOR's Use of Site
- C. Work Sequence
- D. City Occupancy

1.2 DESCRIPTION OF WORK

- A. General: The Work to be done under this Contract is shown on the drawings and specified in Contract Documents. This project is for the refurbishment of City of Naples potable water production wells and shall consist, but not be limited to, the following:
 - 1. Two wells may be taken out of service at a time. Once two wells have been taken out of service for refurbishment, authorization to start on the next well will not be granted by the City until a well is accepted by the City and has passed all testing required. No more than two wells may be out of service at a time.
 - 2. Seal tight to junction boxes and control panels.
 - 3. Electrical disconnections and reconnections will be by the City.
 - 4. Well pump and piping removal and reinstallation, as required.
 - 5. Well pump and piping storage in accordance with AWWA standards (City to provide secure location, Contractor is responsible for transportation to/from).
 - 6. Plugging of well and discharge piping. Well plug shall be tested and approved by the City, prior to beginning work.
 - 7. Disposal of removed items per local, state, and federal guidelines. The City retains the option to keep any removed items.
 - 8. Concrete work.
 - 9. Piping modifications.
 - 10. Piping installation.
 - 11. Bacteriological (piping and well) and pressure testing (as applicable for piping) per AWWA standards.
 - 12. Record drawings.

B. The Work includes:

1. Furnishing of all labor, material, superintendence, plant, power, light, heat, fuel, water, tools, appliances, equipment, supplies, services and other means of construction necessary or proper for performing and completing the Work.
2. Sole responsibility for adequacy of plant and equipment.
3. Maintaining the Work area and site in a clean and acceptable manner.
4. Maintaining existing facilities in service at all times.
5. Protection of finished and unfinished Work.
6. Repair and restoration of Work or existing facilities damaged during construction.
7. Furnishing, as necessary, proper equipment and machinery, of a sufficient capacity, to facilitate the Work and to handle all emergencies normally encountered in Work of this character.
8. Furnishing, installing, and protecting all necessary guides, track rails, bearing plates, anchor and attachment bolts, and all other appurtenances needed for the installation of the devices included in the equipment specified. Make anchor bolts of appropriate size, strength and material for the purpose intended. Furnish substantial templates and shop drawings for installation.

C. Implied and Normally Required Work: It is the intent of these Specifications to provide the City with complete operable systems, subsystems and other items of Work. Any part or item of Work, which is reasonably implied or normally required to make each installation satisfactorily and completely operable, is deemed to be included in the Work and the Contract Amount. All miscellaneous appurtenances and other items of Work incidental to meeting the intent of these Specifications are included in the Work and the Contract Amount even though these appurtenances may not be specifically called for in these Specifications.

D. Quality of Work: Regard the apparent silence of the Contract Documents as to any detail, or the apparent omission from them of a detailed description concerning any Work to be done and materials to be furnished as meaning that only the best general practice is to prevail and that only materials and workmanship of the best quality are to be used. Interpretation of these specifications will be made upon this basis.

1.3 CONTRACTOR'S USE OF SITE

- A. In addition to the requirements of the Supplemental Terms and Conditions, limit use of site and premises for work and storage to allow for the following:
 - 1. Coordination of the Work under this CONTRACT with the work of the other contractors where Work under this CONTRACT encroaches on the Work of other contractors.
 - 2. City occupancy and access to operate existing facilities.
 - 3. Coordination of site use with ENGINEER.
 - 4. Responsibility for protection and safekeeping of products under this CONTRACT.
 - 5. Providing additional off site storage at no additional cost to the City as needed.
- B. Use of Premises: Contractor shall confine all construction equipment, the storage of materials and equipment and the operations of workers to the Project Site and land and areas identified in and permitted by the Contract Documents and other lands and areas permitted by law, rights of way, permits and easements, and shall not unreasonably encumber the Project site with construction equipment or other material or equipment. Contractor shall assume full responsibility for any damage to any such land or area, or to the owner or occupant thereof, or any land or areas contiguous thereto, resulting from the performance of the Work.

1.4 WORK SEQUENCE

- A. Construct Work in stages to accommodate the City's use of premises during construction period and in accordance with the limitations on the sequence of construction specified. Coordinate construction schedules and operations with ENGINEER. The Contractor shall not open up work to conflict with work already in progress. The Engineer may, however require the Contractor to finish a section on which work is in progress prior to starting another section.
- B. Coordinate Work of all subcontractors.

1.5 CITY OCCUPANCY

- A. The City will occupy premises during entire period of construction in order to maintain normal operations. Cooperate with the City in all construction operations to minimize conflict, and to facilitate City usage.
- B. Conduct operations with the least inconvenience to the general public.

1.6 PROTECTION OF EXISTING UTILITIES

- A. In case of damage to existing utilities caused by construction activities, contact the owner of the utility or appropriate City department (Water or Wastewater) immediately. Repair any damage to existing utilities caused by construction activities in coordination with or as directed by the owner of the utility.

Contractor shall locate all existing roadways, railways, drainage facilities and utility services above, upon, or under the Project site, said roadways, railways, drainage facilities and utilities being referred to in this Section as the "utilities". Contractor shall contact the owners of all Utilities to determine the necessity for relocating or temporarily interrupting any Utilities during the construction of the Project. Contractor shall schedule and coordinate its Work around any such relocation or temporary service interruption. Contractor shall be responsible for properly shoring, supporting and protecting all Utilities at all times during the course of the Work. The Contractor shall conduct his work at all times such that adequate drainage is provided and shall not interfere with or block existing drainage facilities such as gutters, ditches, storm drains, or other drainage appurtenances. Existing fire hydrants adjacent to the project shall be kept accessible for fire apparatus at all times and no material or equipment shall be placed within 25 feet of any hydrant.

PART 2 PRODUCTS

Not Used

PART 3 EXECUTION

- A. Starting Work: Start Work within 10 days following the date stated in the Notice to Proceed and execute with such progress as may be required to prevent delay to other contractors or to the general completion of the project. Execute Work at such items and in or on such parts of the project, and with such forces, material and equipment, as to complete the Work in the time established by the Contract. At all times, schedule and direct the Work so that it provides an orderly progression to completion within the specified time for completion. The Contractor shall obtain all necessary building permits prior to commencement of work. The Contractor shall become totally familiar with the requirements of all permits prior to start of work.
- B. Intent of Contract Documents: It is the intent of the Contract Documents to describe a functionally complete project (or portion thereof) to be constructed in accordance with the Contract Documents. Any work, materials or equipment that may reasonably be inferred from the Contract Documents as being required to produce the intended result shall be supplied whether or not specifically called for. When words which have a well known technical or trade meaning are used to describe work, materials or equipment, such works shall be interpreted in accordance with that meaning. Reference to standards specifications, manuals or

codes of any technical society, organization or association or to the laws or regulations of any governmental authority having jurisdiction over the Project, whether such reference be specific or by implication, shall mean the latest standard specification, manual, code, law or regulation in affect at the time the Work is performed, except as may be otherwise specifically stated herein.

If before or during the performance of the Work Contractor discovers a conflict, error or discrepancy in the Contract Documents, Contractor immediately shall report same to the Engineer in writing and before proceeding with the Work affected thereby shall obtain a written interpretation or clarification from the Engineer. Contractor shall take field measurements and verify field conditions and shall carefully compare such field measurements and conditions and other information known to Contractor with the Contract Documents before commencing any portion of the Work.

Drawings are intended to show general arrangements, design and extent of work and are not intended to serve as shop drawings. Specifications are separated into divisions for convenience of reference only and shall not be interpreted as establishing divisions for the Work, trades, subcontracts, or extent of any part of the Work. In the event of a discrepancy between or among the drawings, specifications or other Contract Document provisions, Contractor shall be required to comply with the provision which is the more restrictive or stringent requirement upon the Contractor, as determined by the Engineer. Unless otherwise specifically mentioned, all anchors, bolts, screws, fittings, fillers, hardware, accessories, trim and other parts required in connection with any portion of the Work to make a complete, serviceable, finished and first quality installation shall be furnished and installed as part of the Work, whether or not called for by the Contract Documents.

- B. Investigation and Utilities: Contractor shall have the sole responsibility of satisfying itself concerning the nature and location of the Work and the general and local conditions, and particularly, but without limitation, with respect to the following: those affecting transportation, access, disposal, handling and storage of materials; availability and quality of labor; water and electric power; availability and condition of roads; work area; living facilities; climatic conditions and seasons; physical conditions at the work-site and the project area as a whole; topography and ground surface conditions; nature and quantity of the surface materials to be encountered; subsurface conditions; equipment and facilities needed preliminary to and during performance of the Work; and all other costs associated with such performance. The failure of Contractor to acquaint itself with any applicable conditions shall not relieve Contractor from any of its responsibilities to perform under the Contract Documents, nor shall it be considered the basis for any claim for additional time or compensation.

- C. Schedule: The Contractor, within ten (10) calendar days after receipt of the Notice of Award, shall prepare and submit to the Engineer, for review and

approval, a progress schedule for the Project (herein "Progress Schedule"). The Progress Schedule shall relate to all Work required by the Contract Documents and shall provide for expeditious and practicable execution of the Work within the Contract Time. The Progress Schedule shall indicate the dates for starting and completing the various stages of the Work.

The Progress Schedule shall be updated monthly by the Contractor. All monthly updates to the Progress Schedule shall be subject to the Engineer's review and approval. Contractor shall submit the updates to the Progress Schedule with its monthly Applications for Payment noted below. The Engineer's review and approval of the submitted Progress Schedule updates shall be a condition precedent to the City's obligation to pay Contractor.

- D. Submittals and Substitutions: Contractor shall carefully examine the Contract Documents for all requirements for approval of materials to be submitted such as shop drawings, data, test results, schedules and samples. Contractor shall submit all such materials at its own expense and in such form as required by the Contract Documents in sufficient time to prevent any delay in the delivery of such materials and the installation thereof.

Whenever materials or equipment are specified or described in the Contract Documents by using the name of a proprietary item or the name of a particular supplier, the naming of the item is intended to establish the type, function and quality required. Unless the name is followed by words indicating that no substitution is permitted, materials or equipment of other suppliers may be accepted by the City if sufficient information is submitted by Contractor to allow the City to determine that the material or equipment proposed is equivalent or equal to that named. Requests for review of substitute items of material and equipment will not be accepted by the City from anyone other than Contractor and all such request must be submitted by Contractor to the Engineer within thirty (30) calendar days after Notice of Award is received by Contractor.

If Contractor wishes to furnish or use a substitute item of material or equipment, Contractor shall make application to the Engineer for acceptance thereof, certifying that the proposed substitute shall perform adequately the functions and achieve the results called for by the general design, be similar and of equal substance to that specified and be suited to the same use as that specified. The application shall state that the evaluation and acceptance of the proposed substitute will not prejudice Contractor's achievement of substantial completion on time, whether or not acceptance of the substitute for use in the Work will require a change in any of the Contract Documents (or in the provisions of any other direct contract with the City for the Project) to adapt the design to the proposed substitute and whether or not the incorporation or use by the substitute in connection with the Work is subject to payment of any license fee or royalty. All variations of the proposed substitute from that specified will be identified in the application and available maintenance, repair and replacement service shall be indicated. The application also shall contain an itemized estimate of all costs that will result directly or indirectly from acceptance of such substitute, including costs for redesign and claims of other contractors affected by the resulting change, all of

which shall be considered by the Engineer in evaluating the proposed substitute. The Engineer may require Contractor to furnish at Contractor's expense additional data about the proposed substitute.

If a specific means, method, technique, sequence or procedure of construction is indicated in or required by the Contract Documents, Contractor may furnish or utilize a substitute means, method, sequence, technique or procedure of construction acceptable to the Engineer, if Contractor submits sufficient information to allow the Engineer to determine that the substitute proposed is equivalent to that indicated or required by the Contract Documents. The procedures for submission to and review by the Engineer shall be the same as those provided herein for substitute materials and equipment.

The Engineer shall be allowed a reasonable time within which to evaluate each proposed substitute. The Engineer shall be the sole judge of acceptability, and no substitute will be ordered, installed or utilized without the Engineer's and the City's prior written acceptance which shall be evidenced by either a Change Order or an approved Shop Drawing. The City may require Contractor to furnish at Contractor's expense a special performance guarantee or other surety with respect to any substitute.

- I. Daily Reports, As-Builts and Meetings: Unless waived in writing, the Contractor shall complete and submit to the Engineer on a weekly basis a daily log of the Contractor's work for the preceding week in a format approved by the Engineer. The daily log shall document all activities of Contractor at the Project site including, but not limited to, the following:
 1. Weather conditions showing the high and low temperatures during work hours, the amount of precipitation received on the Project site, and any other weather conditions which adversely affect the Work;
 2. Soil conditions which adversely affect the Work;
 3. The hours of operation by Contractor's and subcontractor's personnel;
 4. The number of Contractor's and subcontractor's personnel present and working at the Project site, by subcontract and trade;
 5. All equipment present at the Project site, description of equipment use and designation of time equipment was used (specifically indicating any down time);
 6. Description of Work being performed at the Project site;
 7. Any unusual or special occurrences at the Project site;
 8. Materials received at the Project site;
 9. A list of all visitors to the Project site; and
 10. Any problems that might impact either the cost or quality of the Work or the time of performance.

The daily log shall not constitute nor take the place of any notice required to be given by Contractor to the City pursuant to the Contract Documents.

Contractor shall maintain in a safe place at the Project site one record copy of the Contract Documents, including, but not limited to, all drawings, specifications,

addenda, amendments, Change Orders, Work Directive Changes and Field Orders, as well as all written interpretations and clarifications issued by the Engineer, in good order and annotated to show all changes made during construction. The annotated drawings shall be continuously updated by the Contractor throughout the prosecution of the Work to accurately reflect all field changes that are made to adapt the Work to field conditions, changes resulting from Change Orders, Work Directive Changes and Field Orders, and all concealed and buried installations of piping, conduit and utility services. All buried and concealed items, both inside and outside the Project site, shall be accurately located on the annotated drawings as to depth and in relationship to not less than two (2) permanent features (e.g. interior or exterior wall faces). The annotated drawings shall be clean and all changes, corrections and dimensions shall be given in a neat and legible manner in a contrasting color. The "As-Built" record documents, together with all approved samples and a counterpart of all approved shop drawings shall be available to the Engineer for reference. Upon completion of the Work and as a condition precedent to the Contractor's entitlement to final payment, these "As-Built" record documents, samples and shop drawings shall be delivered to the Engineer by Contractor.

Contractor shall keep all records and supporting documentation which concern or relate to the Work hereunder for a minimum of five (5) years from the date of termination of this Agreement or the date the Project is completed, whichever is later. The City, or any duly authorized agents or representatives of the City, shall have the right to audit, inspect and copy all such records and documentation as often as they deem necessary during the period of this Agreement and during the five (5) year period noted above; provided, however, such activity shall be conducted only during normal business hours.

- L. Contract Time and Time Extensions: Should Contractor be obstructed or delayed in the prosecution of or completion of the Work as a result of unforeseeable causes beyond the control of the Contractor, and not due to its fault or neglect, including but not restricted to acts of God or of the public enemy, acts of government, fires, floods, epidemics, quarantine regulation, strikes or lockouts, Contractor shall notify the City in writing within forty-eight (48) hours after the commencement of such delay, stating the cause or causes thereof, or be deemed to have waived any right which Contractor may have had to request a time extension.

No interruption, interference, inefficiency, suspension or delay in the commencement or progress of the Work from any cause whole or in part, shall relieve Contractor of his duty to perform or give rise to any right to damages or additional compensation from the City. Contractor expressly acknowledges and agrees that it shall receive no damages for delay. Contractor's sole remedy, if any, against the City will be the right to seek an extension to the Contract Time; provided, however, the granting of any such time extension shall not be a condition precedent to the aforementioned "No Damage For Delay" provision. This paragraph shall expressly apply to claims for early completion, as well as to claims based on late completion.

- N. Changes in Work: The City shall have the right at any time during the progress of the Work to increase or decrease the Work. Promptly after being notified of a change, Contractor shall submit an itemized estimate of any cost or time increases or savings it foresees as a result of the change. Except in an emergency endangering life or property, or as expressly set forth herein, no addition or changes to the Work shall be made except upon written order of the City, and the City shall not be liable to the Contractor for any increased compensation without such written order.
- O. Claims and Disputes: A claim is a demand or assertion by one of the parties seeking an adjustment or interpretation of the terms of the Contract Documents, payment of money, extension of time or other relief with respect to the terms of the Contract Documents. The term "Claim" also includes other disputes and matters in question between the City and Contractor arising out of or relating to the Contract Documents.

The responsibility to substantiate a Claim shall rest with the party making the Claim.

Claims by the Contractor shall be made in writing to the City within forty-eight (48) hours after the first day of the event giving rise to such Claim or else the Contractor shall be deemed to have waived the Claim. Written supporting data shall be submitted to the City within fifteen (15) calendar days after the occurrence of the event, unless the City grants additional time in writing, or else the Contractor shall be deemed to have waived the Claim.

The Contractor shall proceed diligently with its performance as directed by the City, regardless of any pending claim, action, suit or administrative proceeding, unless otherwise agreed to by the City in writing. The City shall continue to make payments in accordance with the Contract Documents during the pendency of any Claim.

- P. Other Work: The City may perform other work related to the Project at the site by the City's own forces, have other work performed by utility owners or let other direct contracts. If the fact that such other work is to be performed is not noted in the Contract Documents, written notice thereof will be given to Contractor prior to starting any such other work. If Contractor believes that such performance will involve additional expense to Contractor or require additional time, Contractor shall send written notice of that fact to the City within forty-eight (48) hours of being notified of the other work. If the Contractor fails to send the above required forty-eight (48) hour notice, the Contractor will be deemed to have waived any rights it otherwise may have had to seek an extension to the Contract Time or adjustment to the Contract Amount.

Contractor shall afford each utility owner and other contractor who is a party to such a direct contract (or the City, if the City is performing the additional work with the City's employees) proper and safe access to the site and a reasonable opportunity for execution of such work and shall properly connect and coordinate its Work with theirs. Contractor shall do all cutting, fitting and patching of the Work

that may be required to make its several parts come together properly and integrate with such other work. Contractor shall not endanger any work of others by cutting, excavating or otherwise altering their work and will only cut or alter their work with the written consent of the Engineer and the others whose work will be affected. The duties and responsibilities of Contractor under this paragraph are for the benefit of such utility owners and other Contractors to the extent that there are comparable provisions for the benefit of Contractor in said direct contracts between the City and such utility owners and other contractors.

If any part of Contractor's Work depends for proper execution or results upon the work of any other contractor or utility owner (or the City), Contractor shall inspect and promptly report to the Engineer in writing any delays, defects or deficiencies in such work that render it unavailable or unsuitable for such proper execution and results.. Contractor's failure to report will constitute an acceptance of the other work as fit and proper for integration with Contractor's Work.

- Q. Compliance with Laws: Contractor agrees to comply, at its own expense, with all federal, state and local laws, codes, statutes, ordinances, rules, regulations and requirements applicable to the Project, including but not limited to those dealing with taxation, worker's compensation, equal employment and safety (including, but not limited to, the Trench Safety Act, Chapter 553, Florida Statutes). If Contractor observes that the Contract Documents are at variance therewith, it shall promptly notify the Engineer in writing.
- R. Assignment: Contractor shall not assign this Agreement or any part thereof, without the prior consent in writing of the City. If Contractor does, with approval, assign this Agreement or any part thereof, it shall require that its assignee be bound to it and to assume toward Contractor all of the obligations and responsibilities that Contractor has assumed toward the City.
- S. Permits, Licenses and Taxes: Pursuant to Section 218.80, F.S., the City will pay for all permits and fees, including license fees, permit fees, impact fees or inspection fees applicable to the work through an internal budget transfer(s). Contractor is not responsible for paying for permits issued by The City of Naples, but is responsible for acquiring all permits.

All permits, fees and licenses necessary for the prosecution of the Work which are not issued by the City shall be acquired and paid for by the Contractor unless otherwise noted.

- T. Termination for Default: Contractor shall be considered in material default of the Agreement and such default shall be considered cause for the City to terminate the Agreement, in whole or in part, as further set forth in this Section, if Contractor: (1) fails to begin the Work under the Contract Documents within the time specified herein; or (2) fails to properly and timely perform the Work as directed by the Engineer or as provided for in the approved Progress Schedule; or (3) performs the Work unsuitably or neglects or refuses to remove material or to correct or replace such Work as may be rejected as unacceptable or unsuitable; or (4) discontinues the prosecution of the Work; or (5) fails to resume Work which has

been suspended within a reasonable time after being notified to do so; or (6) becomes insolvent or is declared bankrupt, or commits any act of bankruptcy; or (7) allows any final judgment to stand against it unsatisfied for more than ten (10) days; or (8) makes an assignment for the benefit of creditors; or (9) fails to obey any applicable codes, laws, ordinances, rules or regulations with respect to the Work; or (10) materially breaches any other provision of the Contract Documents.

The City shall notify Contractor in writing of Contractor's default(s). If the City determines that Contractor has not remedied and cured the default(s) within seven (7) calendar days following receipt by Contractor of said written notice, then the City, at its option, without releasing or waiving its rights and remedies against the Contractor's sureties and without prejudice to any other right or remedy it may be entitled to hereunder or by law, may terminate Contractor's right to proceed under the Agreement, in whole or in part, and take possession of all or any portion of the Work and any materials, tools, equipment, and appliances of Contractor, take assignments of any of Contractor's subcontracts and purchase orders, and complete all or any portion of Contractor's Work by whatever means, method or agency which the City, in its sole discretion, may choose.

If the City deems any of the foregoing remedies necessary, Contractor agrees that it shall not be entitled to receive any further payments hereunder until after the Project is completed. All monies expended and all of the costs, losses, damages and extra expenses (including Engineer and attorney's fees) or damages incurred by The City incident to such completion, shall be deducted from the Contract Amount, Contractor agrees to pay promptly to the City on demand the full amount (including appeals) and interest thereon at the maximum legal rate of interest until paid. If the unpaid balance of the Contract Amount exceeds all such costs, expenditures and damages incurred by the City to complete the Work, such excess shall be paid to the Contractor. The amount to be paid to the Contractor, shall be approved by the Engineer, upon application, and this obligation for payment shall survive termination of the Agreement.

The liability of Contractor hereunder shall extend to and include the full amount of any and all sums paid, expenses and losses incurred, damages sustained, and obligations assumed by The City in good faith under the belief that such payments or assumptions were necessary or required, in completing the Work and providing labor, materials, equipment, supplies, and other items therefore or re-letting the Work, and in settlement, discharge or compromise of any claims, demands suits, and judgments pertaining to or arising out of the work hereunder.

If, after notice of termination of contractor's right to proceed pursuant to this Section, it is determined for any reason that Contractor was not in default, or that its default was excusable, or that the City is not entitled to the remedies against Contractor provided herein, then Contractor's remedies against the City shall be the same as and limited to those afforded Contractor under "Completion" section below.

- U. Termination for Convenience and Right of Suspension: The City shall have the right to terminate this Agreement without cause upon seven (7) calendar days

written notice to Contractor. In the event of such termination for convenience, Contractor's recovery against the City shall be limited to that portion of the Contract Amount earned through the date of termination, together with any retainage withheld and reasonable termination expenses incurred, but Contractor shall not be entitled to any other or further recovery against the City, including, but not limited to, damages or any anticipated profit on portions of the Work not performed.

The City shall have the right to suspend all or any portions of the Work upon giving Contractor not less than two (2) calendar days' prior written notice of such suspension. If all or any portion of the Work is so suspended, Contractor's sole and exclusive remedy shall be to seek an extension of time to its schedule in accordance with the procedures set forth in the Contract Documents. In no event shall the Contractor be entitled to any additional compensation or damages. Provided, however, if the ordered suspension exceeds six (6) months, the Contractor shall have the right to terminate the Agreement with respect to that portion of the Work which is subject to the ordered suspension.

- V. Completion: When the entire Work (or any portion thereof designated in writing by the City) is ready for its intended use, Contractor shall notify the Engineer in writing that the entire Work (or such designated portion) is substantially complete and request that the Engineer issue a Certificate of Substantial completion (or Certificate of Partial Substantial Completion). Within a reasonable time thereafter, the City, Contractor and Engineer shall make an inspection of the Work (or designated portion thereof) to determine the status of completion. If the City and Engineer do not consider the Work (or designated portion) substantially complete, the Engineer shall notify Contractor in writing giving the reasons therefore. If the City and Engineer consider the Work (or designated portion) substantially complete, the Engineer shall prepare and deliver to Contractor a Certificate of Substantial Completion (or Certificate of Partial Substantial Completion) which shall fix the date of Substantial Completion for the entire Work (or designated portion thereof) and include a tentative punchlist of items to be completed or corrected by Contractor before final payment. The City shall have the right to exclude Contractor from the Work and Project site (or designated portion thereof) after the date of Substantial Completion, but the City shall allow Contractor reasonable access to complete or correct items on the tentative punchlist.

Upon receipt of written certification by Contractor that the Work is completed in accordance with the Contract Documents and is ready for final inspection and acceptance and upon receipt of a final Application for Payment, the Engineer will make such inspection and, if he finds the Work acceptable and fully performed under the Contract Documents, he shall promptly issue a final Certificate for Payment, recommending that, on the basis of his observations and inspection, and the Contractor's certification that the Work has been completed in accordance with the terms and conditions of the Contract Documents, that the entire balance found to be due Contractor is due and payable. Neither the final payment nor the retainage shall become due and payable until Contractor submits: all data establishing payment or satisfaction of all obligations, such as receipts, releases and waivers of liens, arising out of the Contract Documents, to the extent and in

such form as may be designated by the City. The City reserves the right to inspect the Work and make an independent determination as to the Work's acceptability, even though the Engineer may have issued his recommendations. Unless and until the City is completely satisfied, neither the final payment nor the retainage shall become due and payable.

- W. Warranty: Contractor shall obtain and assign to the City all express warranties given to Contractor or any subcontractors by any material men supplying materials, equipment or fixtures to be incorporated into the project. Contractor warrants to the City that any materials and equipment furnished under the Contract Documents shall be new unless otherwise specified, and that all Work shall be of good quality, free from all defects and in conformance with the Contract Documents. Contractor further warrants to the City that all materials and equipment furnished under the Contract Documents shall be applied, installed, connected, erected, used, cleaned and conditioned in accordance with the instructions of the applicable manufacturers, fabricators, suppliers or processors except as otherwise provided for in the Contract Documents. If, within one (1) year after final completion, any Work is found to be defective or not in conformance with the Contract Documents, Contractor shall correct it promptly after receipt of written notice from the City. Contractor shall also be responsible for and pay for replacement or repair of adjacent materials or Work which may be damaged as a result of such replacement or repair. These warranties are in addition to those implied warranties to which the City is entitled as a matter of law.
- X. Supervision and Superintendents: Contractor shall plan, organize, supervise, schedule, monitor, direct and control the work competently and efficiently, devoting such attention thereto and applying such skills and expertise as may be necessary to perform the work in accordance with the contract documents. Contractor shall be responsible to see that the finished work complies accurately with the Contract Documents. Contractor shall keep on the Work at all times during its progress a competent resident superintendent, who shall not be replaced without prior written notice to the Engineer except under extraordinary circumstances. The superintendent shall be Contractor's representative at the Project site and shall have authority to act on behalf of Contractor. All communications given to the superintendent shall be as binding as if given to the Contractor. The City shall have the right to direct Contractor to remove and replace its Project superintendent, with or without cause.
- Y. Protection of Work: Contractor shall fully protect the Work from loss or damage and shall bear the cost of any such loss or damage until final payment has been made. If Contractor or any one for whom Contractor is legally liable for is responsible for any loss or damage to the Work, or other work or materials of the City or the City's separate contractors, Contractor shall be charged with the same, and any monies necessary to replace such loss or damage shall be deducted from any amounts due Contractor.

Contractor shall not load nor permit any part of any structure to be loaded in any manner that will endanger the structure, nor shall Contractor subject any part of the Work or adjacent property to stresses or pressures that will endanger it.

Contractor shall not disturb any benchmark established by the Engineer with respect to the Project. If Contractor, or its subcontractors, agents or anyone for whom Contractor is legally liable, disturbs the Engineer's benchmark, Contractor shall immediately notify The City and Engineer. The Engineer shall reestablish the benchmark and Contractor shall be liable for all costs incurred by The City associated therewith.

- Z. Emergencies: In the event of an emergency affecting the safety or protection of persons or Work or property at the Project site of adjacent thereto, Contractor, without special instructions or authorization from the City or Engineer is obligated to act to prevent threatened damage, injury or loss. Contractor shall give Engineer written notice within forty-eight (48) hours after the occurrence of the emergency, if Contractor believes that after the occurrence of the emergency, if Contractor believes that any significant changes in the Work or variations from the Contract Documents have been caused thereby. If the Engineer determines that a change in the Contract Documents is required because of the action taken in response to an emergency, a Change Order shall be issued to document the consequences of the changes or variations. If Contractor fails to provide the forty-eight (48) hour written notice noted above, the Contractor shall be deemed to have waived any right it otherwise may have had to seek an adjustment to the Contract Amount or an extension to the Contract Time.
- Z1. Project Meetings: Prior to the commencement of Work, the Contractor shall attend a preconstruction conference with the Engineer and others as appropriate to discuss the Progress Schedule, procedures for handling shop drawings and other submittals, and for processing Applications for Payment, and to establish a working understanding among the parties as to the Work. During the prosecution of the Work, the Contractor shall attend any and all meetings convened by the Engineer or the City with respect to the Project, when directed to do so. Contractor shall have its subcontractors and suppliers attend all such meetings (including the preconstruction conference) as may be directed by the City or Engineer.
- Z2. Traffic Control Plan: A traffic control plan to support the Contractor's operations shall be submitted at least 72 hours prior to commencing work that shall conform to the Florida Department of Transportation's "Manual on Traffic Control and Safe Practices" which shall be obtained by the Contractor at his expense.
- Z3. Hours of Work: Work within the travelled way of the project shall commence no earlier than 7:00 a.m. local time and be completed no later than 7:00 p.m. local time. Hours of work may be altered at any time at the discretion of the City.
- Z4. Tax Exemption: The City of Naples is exempt from the payment of sales or use tax. The tax exemption certificate number is: 85-8012621645C-0.

PART 4 SAFETY

- A. Contractor shall be responsible for initiating, maintaining and supervising all safety precautions and programs in connection with the Work. Contractor shall take all necessary precautions for the safety of, and shall provide the necessary protection to prevent damage, injury or loss to:
1. All employees on the Work and other persons and/or organizations who may be affected thereby;
 2. All the Work and materials and equipment to be incorporated therein, whether in storage on or off the Project site; and
 3. Other property on Project site or adjacent thereto, including trees, shrubs, walks, pavements, roadways, structures, utilities and any underground structures or improvements not designated for removal, relocation or replacement in the Contract Documents.
- B. Contractor shall comply with all applicable codes, laws, ordinances, rules and regulations of any public body having jurisdiction for the safety of persons or property or to protect them from damage, injury or loss. Contractor shall erect and maintain all necessary safeguards for such safety and protection. Contractor shall notify owners of adjacent property and of underground structures and improvements and utility-owners when prosecution of the Work may affect them, and shall cooperate with them in the protection, removal, relocation or replacement of their property. Contractor's duties and responsibilities for the safety and protection of the Work shall continue until such time as the Work is completed and final acceptance of same by The City has occurred.
- C. Contractor shall designate a responsible representative at the Project site whose duty shall be the prevention of accidents. This person shall be Contractor's superintendent unless otherwise designated in writing by Contractor to The City.

END OF SECTION

SECTION 01026

MEASUREMENT AND PAYMENT

Applies only to City of Naples Utilities Projects and Utilities Portions of City of Naples Stormwater, Streets and Traffic Projects, but not to Private Developments

PART 1 GENERAL

1.1 SECTION INCLUDES

- A. Explanation and Definitions
- B. Measurement
- C. Payment
- D. Schedule of Values

1.2 EXPLANATION AND DEFINITIONS

- A. The following explanation of the Measurement and Payment for the Bid Schedule items is made for information and guidance. The omission of reference to any item in this description shall not, however, alter the intent of the Bid Schedule or relieve the CONTRACTOR of the necessity of furnishing such as a part of the Contract. Measurement and payment for all Contract Items shall be made in accordance with this section or as modified by the Supplemental Terms and Conditions.

1.3 MEASUREMENT

- A. The quantities set forth in the Bid Schedule are approximate and are given to establish a uniform basis for the comparison of bids. The CITY reserves the right to increase or decrease the quantity of any class or portion of the work during the progress of construction in accord with the terms of the Contract.

1.4 PAYMENT

- A. Make payment for the items listed on the Bid Schedule on the basis of the work actually performed and completed, such work including but not limited to, the furnishing of all necessary labor, materials, equipment, transportation, clean up, restoration of disturbed areas, and all other appurtenances to complete the construction and installation of the work as shown on the drawings and described in the specifications.
- B. Unit prices are used as a means of computing the final figures for bid and Contract purposes, for periodic payments for work performed, for determining value of additions or deletions and wherever else reasonable.

1.5 SCHEDULE OF VALUES

- A. Approval of Schedule: Submit for approval a preliminary schedule of values, in duplicate, for all of the Work. Prepare preliminary schedule in accordance with the Supplemental Terms and Conditions. Submit preliminary schedule of values within 10 calendar days after the Effective Date of the Agreement. Submit final schedule of values in accordance with the Supplemental Terms and Conditions.
- B. Format: Utilize a format similar to the Table of Contents of the Project Specifications. Identify each line item with number and title of the major specification items. Identify site mobilization, bonds and insurance. Include within each line item, a direct proportional amount of CONTRACTOR's overhead profit.
- C. Revisions: With each Application for Payment, revise schedule to list approved Change Orders.

PART 2 PRODUCTS

Not Used

PART 3 EXECUTION

3.1 MEASUREMENT AND PAYMENT

- A. Make payment on the basis of work actually performed completing each item in the Bid, such work including, but not limited to, the furnishing of all necessary labor, materials, equipment, transportation, cleanup, and all other appurtenances to complete the construction and installation of the work to the configuration and extent as shown on the drawings and described in the specifications. Payment for each item includes compensation for cleanup and restorations. Cost of cleanup and surface restorations (including pavement replacement) will be considered as the percentage retained in accordance with the Contract Documents, and complete payment will not be made until cleanup, restorations and as-builts are completed.
 - 1. Mobilization: Payment for mobilization will be made for at the Contract lump sum price.
 - 2. Performance and Payment Bond Premiums and Insurance:
 - 3. Furnish and Install Utility Pipelines: Payment for furnishing and installing utility pipelines (various sizes and types) will be made at the Contract unit price per lineal foot for the pipe in place. This item includes clearing and disposal of trees and bushes, all necessary fittings, pipe coatings and linings, connections to existing mains, labor, equipment and materials for the

furnishing and laying of the pipe, signs, maintenance of traffic, dewatering, compaction, pipe bedding, backfilling, sheeting, restrained joint piping, detectable tape, clamps, harnessing, plugs and caps, adapters, excavation of all material encountered, including rock, backfill, replacement of grass, sod, clearing and grubbing, landscaping, pavement, driveways, sidewalks, mailboxes, culverts, storm sewers, and other surface materials not specifically designated in the Bid, coordination with other contractors, stubs and valves for future connections to existing pipes, clean-up, disinfection and sterilization, temporary facilities for testing and tests. Measure pipe to the nearest foot along the centerline including the lengths of manholes, valves and fittings. Measure lineal footage horizontally. Measure cuts from proposed grade to the invert elevation of the pipe. Pipe installed within casing pipe is included in this item.

4. Furnish and Install Standard Precast Concrete Sanitary Sewer Manholes: Payment for furnishing and installing standard precast concrete sanitary manholes will be made at the unit price per manhole acceptably installed. This item includes all excavation, backfilling, compacted gravel or crushed stone bedding, sheeting, shoring, dewatering, concrete work and reinforcing, protection of adjacent facilities, manhole frames and covers, coatings and linings, manhole joints, bottom channels and sanitary sewer connections. Conform all manholes to the City Standard Details. This item does not include outside drop manholes or standard precast shallow manholes. Measure cuts from proposed grade to the invert elevation of the sewer.
5. Furnish and Install Outside Drop Manholes: Payment for furnishing and installing outside drop manholes will be made at the unit price per drop manhole acceptably installed. This item includes all excavation, backfilling, compacted gravel or crushed stone bedding, sheeting, shoring, dewatering, concrete work and reinforcing, drop pipes and pipe connections, plugs for future connections, protection of adjacent facilities, manhole frames and covers, coatings and linings, manhole joints, bottom channels and sanitary sewer connections. Conform all outside drop manholes to the Drop Manhole detail shown on the Plans. Measure cuts from proposed grade to the invert elevation of the sewer.
6. Furnish and Install Valves and Boxes: Payment for furnishing and installing valves will be made at the appropriate Contract unit price per valve acceptably installed. This item includes the valve, valve box, vault or housing, concrete work, operators, incidentals, and all necessary labor, materials and equipment for installation, including valve stem, valve box extensions and adjustments. This item also includes the installation of base material below the valve in accordance with the detail shown in the Plans.
7. Furnish and Install Air Release Valves: Payment for furnishing and installing air release valves will be made at the appropriate Contract unit price per air release valve acceptably installed. This item includes the valve, valve box, concrete work, operators, stems, incidentals, and all necessary labor, materials and equipment for installation including valve box extensions and

adjustments. This item also includes the installation of base material below the valve in accordance with the detail shown in the Plans.

8. Furnish and Install Fire Hydrant Assemblies: Payment for the furnishing and installing of fire hydrant assemblies will be made at the Contract unit price for each fire hydrant assembly acceptably installed. This item includes the tee installed on the utility main, all necessary fittings, joint restraint from the valve to the tee, necessary piping from the tee to the hydrant location with the installation of barrel section to meet finished grade, control gate valve, valve box and any concrete work. Be responsible to set the hydrant to grade in accordance with the detail shown on the Plans.
9. Furnish and Install Permanent Blow-offs: Payment for furnishing and installing permanent blow-offs will be made at the appropriate Contract unit price per blow-off acceptably installed. This item includes the reinforced concrete thrust collar, piping, making pipe connections, valves, meter box, tie rods and all other work for a complete installation. Conform all permanent blow-offs to the Standard Details.
10. Furnish and Install Temporary Blow-offs: Tapping Sleeve and Valve: Payment for furnishing and installing temporary blow-offs will be made at the appropriate Contract unit price per blow-off acceptably installed. This item includes the reinforced concrete thrust collar, piping, making pipe connections, valves, meter box, tie rods and all other work for a complete installation. Conform all temporary blow-offs to the detail shown on the Plans.
11. Furnish and Install Tapping Sleeves and Valves: Payment for furnishing and installing tapping sleeves and valves will be made at the appropriate Contract unit price per tapping sleeve and valve acceptably installed. This item includes all piping, making pipe connections, tapping sleeve, valve and valve box, restrained joints, and all other work for a complete installation.
12. Furnish and Install Bacteriological Sample Points: Payment for furnishing and installing bacteriological sample points will be made at the appropriate Contract unit price per bacteriological sample point. This item includes valve, tubing, fittings, enclosure, all concrete, removal of temporary sample point, and incidentals necessary for a complete installation as shown on the drawings and as specified herein.
13. Furnish and Install Pump Station: Payment for the furnishing and installing the pump station will be made for at the Contract lump sum price for the pump station acceptably installed. This item includes pumps, wet well structure, valve vault structure, fence, stainless steel hardware, aluminum wet well cover, aluminum valve vault cover, coatings, valves, pipe, fittings, water service, panel, electrical hardware, electrical connection, electrical controls, telemetry, driveway, culvert, and all necessary materials and labor to complete the pump station in accordance with the project plans. Also included is the cost to connect electrical power to the pump station.

Schedule with Florida Power and Light to place the pump station into service.

14. Furnish and Install Sanitary Sewer Services: Payment for furnishing and installing sanitary sewer services will be made at the appropriate Contract unit price per linear foot for P.V.C. and ductile iron pipe sewer service acceptably installed. This item includes all labor, equipment and materials for furnishing and installing all necessary pipe, fittings, connections, solids sleeves and adapters, protection of existing utilities and facilities, excavation, pipe bedding, sheeting, shoring, dewatering, compaction, cleanouts, service markers, plugs, removal and replacement of grass, sod, shrubs, pavement, driveways, culverts and storm sewers, mailboxes, sidewalks and other surface materials not specifically designated in the Bid, cleanup, testing, and all other work for a complete installation.
15. Furnish and Install Water Services: Payment for furnishing and installing water services will be made at the appropriate Contract unit price for each polyethylene short side and long side service acceptably installed. This item includes all labor, equipment and materials for furnishing and installing all necessary pipe, fittings, connections, casing pipes, meter stops, meter box, tapping sleeves, protection of existing utilities and facilities, excavation, pipe bedding, dewatering, compaction, removal and replacement of grass, sod, shrubs, pavement, driveways, culverts and storm sewers, mailboxes, sidewalks and other surface materials not specifically designated in the Bid, cleanup, testing and all other work for a complete installation.
16. Remove and Replace Driveway: Payment for removing and replacing driveway will be made at the appropriate Contract Unit price per square yard of concrete or asphalt driveway shown on the Plans to be removed and replaced for water main construction. Replace driveways to match existing elevations and materials of construction. Include surface restoration required for driveway removal and replacement in this item.
17. Remove and Replace Street Pavement Surface and Base: Payment for removing and replacing street pavement surface and base will be made at the appropriate Contract unit price per square yard for pavement surface and base installed in the work. Replace all pavement surface and base in accordance with the City of Naples Standard Details and details shown on the Plans.
18. Furnish and Install Pipeline Interconnection: Payment for furnishing and installing the pipeline interconnection will be made at the Contract lump sum price for the interconnection acceptably installed. This item includes all labor, equipment and materials to install all necessary pipe, fittings, connections, tapping sleeve and valve with valve box, field measurements, protection of existing facilities, excavation, pipe bedding, dewatering, compaction, surface restoration, testing, cleanup and all other work for a complete installation.

19. Furnish and Install Unreinforced Concrete: Payment for furnishing and installing unreinforced concrete will be made at the Contract unit price per cubic yard for all unreinforced concrete installed as ordered in writing by the ENGINEER. Conform all unreinforced concrete to the technical specifications. All unreinforced concrete installed in the work not shown on the Plans and not ordered by the ENGINEER in writing will not be measured for payment.
20. Furnish and Install Additional Fittings: Payment for furnishing and installing additional fittings will be made at the Contract unit price per ton for additional fittings installed in the work as ordered in writing by the ENGINEER. All fittings installed in the work not shown on the plans and not ordered by the ENGINEER in writing will not be measured for payment.
21. Rock Excavation: Payment for Rock Excavation will be made at the Contract unit price for the actual volume of rock excavated as defined in the Technical Specifications, measured in place within the limits outlined below, or as ordered by the Engineer. The limits for rock excavation for pipes in open cut will be a horizontal plane 6 inches below the lower outside surface of the pipe barrel and the surface of the rock and vertical planes passing 2 feet outside the horizontal diameter of the pipe barrel. Notify the Engineer in writing a sufficient time in advance of the beginning of any rock excavation, so that sufficient elevations and measurements may be obtained. No payment will be made for any rock material excavated or removed before these measurements have been taken.
22. Additional Earth Excavation: Payment for Additional Earth Excavation will be made at the Contract unit price for the total volume of excavation, as ordered in writing by the Engineer, beyond and outside the established lines and grades which would have controlled and been maintained had not the additional excavation been ordered. Additional earth excavation for placement of selected fill material other than that for pipe bedding is included under this item.
23. Additional Fill Material: Payment for Additional Fill Material, obtained from sources other than excavations in this Contract, will be made at the Contract unit price for the actual compacted volume of fill material placed within the payment limits shown on the Plans or established by the Engineer. Order all Additional Fill Material in writing by the Engineer. This item includes disposal of surplus excavated material. Fill material used to fill voids resulting from unauthorized excavation, or where required for dewatering, will not be measured for payment even though the Engineer orders their use. Fill material used for pipe bedding is not included under this item.
24. Jack and Bore Crossing: Payment for furnishing and installing jack and bore crossings will be made at the Contract unit price per linear foot of steel casing installed including all labor, material, equipment and incidentals necessary to install one linear foot of steel casing, regardless of depth of cover in accordance with these specifications. Include price for steel casing

material, including spacers and identification tape, clearing and grubbing, removal of pavement, driveways, sidewalks, trenching, rock excavation, disposal of non-usable excavated material, bedding, laying, backfilling, grassing, sodding, replacement of pavement, driveways, and sidewalks, cleanup and all appurtenances. Measurement for payment will be made horizontally along the centerline of installed casing.

25. Conflict Crossings: Payment for furnishing and installing a complete conflict crossing will be made at the Contract unit price per conflict crossing including pipe, fittings, joint restraints, concrete work, and incidentals necessary for a complete installation as shown on the Drawings and as specified herein.
 26. Utility Locates: Payment for locating utilities will be made at the Contract unit price for locating utilities including labor, material, equipment and incidentals necessary to determine the horizontal and vertical location of an existing utility underground regardless of depth. Price is to also include potholing, soft dig, excavation locating, backfilling, pavement repair, cleanup, sodding, and all appurtenances.
 27. Irrigations Sleeves: Payment for furnishing and installing various sizes of conduit will be made at the contract unit price for irrigation sleeves for all labor, material, and equipment necessary to install complete one linear foot of conduit. Price is to also include locator discs, trenching, directional boring under existing pavement, cleanup and all appurtenances.
 28. Maintenance of Traffic: Payment for maintenance of traffic in accordance with the CITY Maintenance of Traffic Policy will be made for at the Contract lump sum price.
- B. Prior to submitting first monthly Application for Payment, Contractor shall submit to Engineer, for review and approval, a schedule of values based upon the Contract Price, listing the major elements of the Work and the dollar value for each element. After its approval by the Engineer, this schedule of values shall be used as the basis for the Contractor's monthly Applications for Payment.
 - C. Prior to submitting first monthly Application for Payment, Contractor shall submit to The City a complete list of all its proposed subcontractors and materialmen, showing the work and materials involved and the dollar amount of each proposed subcontract and purchase order. The first Application for Payment shall be submitted no earlier than thirty (30) days after the Commencement Date.
 - D. If payment is requested on the basis of materials and equipment not incorporated into the Project, but delivered and suitably stored at the site or at another location agreed to by the City in writing, the Application for Payment shall also be accompanied by a bill of sale, invoice or other documentation warranting that the City has received the materials and equipment free and clear of all liens, charges, security interests and encumbrances, together with evidence that the materials and equipment are covered by appropriate property insurance and other

arrangements to protect the City's interest therein, all of which shall be subject to the City's satisfaction.

- E. Contractor shall submit six (6) copies of its monthly Application for Payment to the Engineer on or before the 25th day of each month for work performed during the previous month. Invoices received after the 25th day of each month shall be considered for payment as part of the next month's application. Within ten (10) calendar days after receipt of each Application for Payment, the Engineer shall either:
1. indicate his approval of the requested payment;
 2. indicate his approval of only a portion of the requested payment, stating in writing his reasons therefore; or
 3. return the Application for Payment to the Contractor indicating, in writing, the reason for refusing to approve payment.

In the event of a total denial and return of the Application for Payment by the Engineer, the Contractor may make the necessary corrections and resubmit the Application for Payment. The City shall, within thirty (30) calendar days after the Engineer's approval of an Application for Payment, pay the Contractor the amounts so approved. Provided, however, in no event shall the City be obligated to pay any amount greater than that portion of the Application for Payment approved by the Engineer.

- F. The City shall retain ten (10%) of the gross amount of each monthly payment request or ten percent (10%) of the portion thereof approved by the Engineer for payment, whichever is less. Such sum shall be accumulated and not released to the Contractor until final payment is due.
- G. Monthly payments to Contractor shall in no way imply approval or acceptance of Contractor's work.
- H. Contractor agrees and understands that funding limitations exist and that the expenditure of funds must be spread over the duration of the Project at regular intervals based on the Contract Amount and Progress Schedule. Accordingly, prior to submitting its first monthly Application for Payment, Contractor shall prepare and submit for the Engineers review and approval, a detailed Project Funding Schedule, which shall be updated as necessary and approved by the City to reflect approved adjustments to the Contract Amount and Contract Time. No voluntary acceleration or early completion of the Work shall modify the time of payments to Contractor as set forth in the approved Project Funding Schedule.

3.2 PAYMENTS WITHHELD

- A. The Engineer may decline to approve any Application for Payment, or portions thereof, because of subsequently discovered evidence or subsequent inspections. The Engineer may nullify the whole or any part of any approval for payment

previously issued and the City may withhold any agreement between the City and Contractor, to such an extent as may be necessary in the City's opinion to protect it from loss because of:

1. Defective Work not remedied;
 2. Third party claims filed or reasonable evidence indicating probable filing of such claims
 3. Failure of Contractor to make payment properly to subcontractors or for labor, materials or equipment;
 4. Reasonable doubt that the Work can be completed for the unpaid balance of the Contract Amount;
 5. Reasonable indication that the Work will not be completed within the Contract Time;
 6. Unsatisfactory prosecution of the Work by the Contractor; or
 7. Any other material breach of the Contract Documents.
- B. If these conditions in Subsection 5.1 are not remedied or removed, the City may, after three (3) days written notice, rectify the same at Contractor's expense. The City also may offset against any sums due Contractor the amount of any liquidated or unliquidated obligations of Contractor whether relating to or arising out of this Agreement or any other agreement between Contractor and the Engineer.

3.3 FINAL PAYMENT

- A. The City shall make final payment to Contractor within thirty (30) calendar days after the Work is finally inspected and accepted by both the City and the Engineer in accordance with Section 20.1 herein provided that Contractor first, and as an explicit condition precedent to the accrual of Contractor's right to final payment, shall have furnished the City with any and all documentation that may be required by the Contract Documents and the City.
- B. Contractor's acceptance of final payment shall constitute a full waiver of any and all claims by Contractor against the City arising out of this Agreement or otherwise relating to the Project, except those previously made in writing and identified by Contractor as unsettled at the time of the final Application for Payment. Neither the acceptance of the Work nor payment by the City shall be deemed to be a waiver of the City's right to enforce any obligations of Contractor hereunder or to the recovery of damages for defective Work not discovered by the Engineer at the time of final inspection.

END OF SECTION

NO TEXT FOR THIS PAGE

SECTION 01045

CONNECTIONS TO EXISTING SYSTEMS

PART 1 GENERAL

1.1 SECTION INCLUDES

- A. General Requirements
- B. Submittals
- C. Scheduling of Shutdown

1.2 RELATED SECTIONS

- A. Section 01010 - Summary of Work
- B. Section 01500 - Construction Facilities and Temporary Controls
- C. Section 01570 – Traffic Regulations and Public Safety
- D. Section 02575 - Pavement Repair and Restoration

1.3 GENERAL REQUIREMENTS

- A. Be responsible for all connection to existing systems, cutting, fitting and patching, including attendant excavation and backfill, required to complete the work or to:
 - 1. Make its several parts fit together properly.
 - 2. Uncover portions of the work to provide for installation of ill-timed work.
 - 3. Remove and replace defective work.
 - 4. Remove and replace work not conforming to requirements of Contract Documents.
- B. Coordination: Before connection is performed, verify and provide for any pipe restraint that may be required for the new connection. Perform all cutting, fitting or patching of the Work that may be required to make the several parts thereof join in accordance with the Contract Documents. Perform restoration with competent workmen skilled in the trade.
- C. If changes to a “looped” water distribution system occurring during construction result in dead ends to any new or relocated water mains, connect such dead ends to the nearest water main. In cases where no nearby water main is

- D. Improperly Timed Work: Perform all cutting and patching required to install improperly timed work, to remove samples of installed materials for testing, and to provide for alteration of existing facilities or for the installation of new Work in the existing construction.
- E. Limitations: Except when the cutting or removal of existing construction is specified or indicated, do not undertake any cutting or demolition, which may affect the structural stability of the Work or existing facilities without the ENGINEER's concurrence.
- F. City of Naples Damage Prevention Policy: This policy has been put in place to avoid damage to CITY underground utilities. A minimum distance of five feet (5') horizontally and eighteen inches (18") vertically must be maintained away from CITY utilities. Any and all variations from this order must be approved by the Water or Wastewater Department. **Before commencement of any excavation, the existing underground utilities in the area affected by the work must be marked by Sunshine State One Call after proper notification to them by either calling 800/432-4770 or emailing www.callsunshine.com. Before commencing excavation for the work, potholing of all potential conflicts must be performed.** All lines in conflict must be physically located by the contractor and verified by CITY Locate Department personnel before performing work. Utilities under concrete or pavement may require soft dig vacuum locates which also is the contractor's responsibility to perform. All utilities will be field marked per Sunshine State One Call's statutes and guidelines. For line verification or any other information concerning locates, please call the Locate Department at 239/213-4717 during normal business hours. For line verification or emergency locates after hours, call emergency number 239/213-4717. **In the event the potholing and/or vacuum soft dig does not locate the marked utility, work must be stopped and the affected utility owner contacted.** Failure to comply with this policy and obtain required signature(s) may result in delay or denial of permit.

The Contractor will be required to take every precaution to guard against any or all damages to existing structures, pipe lines, and equipment of the City water, sewer, or reuse system from any cause whatsoever in the prosecution of the work. All work shall be planned and executed in such a manner by the Contractor as to absolutely insure the regular and continuous operation of the waterworks system insofar as same may be affected by the Contractor's operations; and the sequence of operations of the Contractor in providing for and executing the work shall be at all times subject to the approval of the Engineer of Record and City, insofar as the operation of the above-mentioned system may be affected. Such approval of the EOR shall in no way relieve the Contractor of his responsibility for providing all and adequate means of guaranteeing the continuous, uninterrupted operation of the City utility systems. Any damage done to any City main or facility shall be reported to Public Works immediately by calling (239) 213-4717. Any such damage shall be the direct responsibility of the Contractor and such damage shall be restored, replaced, or repaired per City direction by the Contractor at no expense to the City. See also Section 01500, 1.8.B

1.4 SUBMITTALS

- A. Submit a written request to the ENGINEER well in advance of executing any cutting or alteration which affects:
 - 1. Work of the CITY or any separate contractor.
 - 2. Structural value or integrity of any element of the project or work.
 - 3. Integrity or effectiveness of weather-exposed or moisture-resistant elements or systems.
 - 4. Efficiency, operational life, maintenance or safety of operational elements.
 - 5. Visual qualities of sight-exposed elements.

- B. Include in request:
 - 1. Identification of the work.
 - 2. Description of affected work.
 - 3. The necessity for cutting, alteration or excavation.
 - 4. Effect on work of the CITY or any separate contract, or on structural or weatherproof integrity of work.
 - 5. Description of proposed work:
 - a. Scope of cutting, patching, alteration, or excavation.
 - b. Trades who will execute the work.
 - c. Products proposed to be used.
 - d. Extent of refinishing to be done.
 - 6. Alternatives to cutting and patching.
 - 7. Cost proposal, when applicable.
 - 8. Written permission of any separate contractor whose work will be affected.

- C. SUBMIT WRITTEN NOTICE TO THE ENGINEER DESIGNATING THE DATE AND THE TIME THE WORK WILL BE UNCOVERED.

1.5 SCHEDULING OF SHUTDOWN

- A. **Connections to Existing Facilities:** If any connections, replacement, or other work requiring the shutdown of an existing facility is necessary, schedule such work at times when the impact on the CITY's normal operation is minimal. If shutdown involves the water distribution or transmission system, provide notice to the CITY Water Department at least two (2) weeks prior to the proposed shutdown, including date, time and anticipated length of interruption of service. Overtime, night and weekend work without additional compensation from the CITY, may be required to make these connections, especially if the connections are made at times other than those specified. The connection of new or existing pipelines is prohibited from starting until CONTRACTOR assures that the system can receive the new flow.
- B. **Interruptions of Service:** Perform cut-ins into lines at a time approved in writing by the CITY Manager or designee. Whenever it is required to turn off valves which may interrupt the water supply of residents or businesses, notify all concerned parties or agencies with personal contact, door hangers or written notice at least twenty-four (24) hours in advance of such cut-off, after having obtained the approval of the CITY Manager or designee. Provide a copy of the written notice to the Water Distribution Section by fax. ONLY CITY PERSONNEL MAY OPERATE CITY-OWNED VALVES. Maintain water service to existing connections during construction, under any and all conditions and at no additional cost to the CITY. Thoroughly clean and swab all pipe and fittings for cut-ins with a concentrated solution of calcium hypochlorite.
- C. **Request for Water System Shutdowns:** When plans call for connection to existing water distribution facilities or the CONTRACTOR plans to shut down existing utilities or where damage to such facilities is likely in order to complete construction of items under this contract, furnish the CITY Manager or designee with a written request for connection. The CITY Water Distribution Section will identify the locations of all water valves needed to isolate the point of connection in the event that the existing facilities are damaged while making the connection. Identify in the request means which the CONTRACTOR proposes to use in order to provide effective shutdown of the system. Include in a connection and shutdown schedule details of shutdown time and duration. No connections to existing utilities – or construction where shutdown of, or damage to, existing utilities may occur – shall commence prior to CITY Manager or designee approval of the connection and shutdown plan and schedule.
- D. **Request for Wastewater Diversion:** Submit a request for each diversion necessary during construction to the CITY Manager or designee and the ENGINEER sufficiently in advance of any required diversion. Identify in the request the valves, bypass piping, portable pumper trucks or any other means which the CONTRACTOR proposes to use in order to provide effective shutdown of the system. Include in a connection and shutdown schedule details of shutdown time and duration. No connections to existing utilities – or construction where shutdown of, or damage to, existing utilities may occur – shall commence prior to CITY Manager or designee approval of the connection and shutdown plan and schedule.

PART 2 PRODUCTS

2.1 MATERIALS

- A. Comply with specifications and standards for each specific product involved.

PART 3 EXECUTION

3.1 INSPECTION

- A. Inspect existing conditions of projects, including elements subject to damage or to movement during cutting and patching.
- B. After uncovering work, inspect conditions affecting installation of products, or performance of the work.
- C. Report unsatisfactory or questionable conditions to the ENGINEER in writing; do not proceed with work until the ENGINEER has provided further instructions.

3.2 PREPARATION

- A. In cases where service to utility customers is interrupted, provide adequate equipment with backup onsite to assure prompt restoration of service.
- B. Provide adequate temporary support as necessary to assure structural value or integrity of affected portion of work.
- C. Provide devices and methods to protect other portions of project from damage.
- D. Provide protection from elements for that portion of the project that may be exposed by cutting and patching work, and maintain excavations free from water.
- E. Material Removal: Cut and remove all materials to the extent shown or as required to complete the Work. Remove materials in a careful manner with no damage to adjacent facilities. Remove materials that are not salvageable from the site.

3.3 PERFORMANCE

- A. Execute cutting and demolition by methods that will prevent damage to other work, and will provide proper surfaces to receive installation of repairs.
- B. Execute excavating and backfilling by methods which will prevent settlement or damage to other work.
- C. Employ original installer or fabricator to perform cutting and patching for:
 - 1. Weather-exposed or moisture-resistant elements.

- 2. Sight-exposed finished surfaces.
- D. Execute fitting and adjustment of products to provide a finished installation to comply with specified products, functions, tolerances, and finishes.
- E. Restore work, which has been cut or removed; install new products to provide completed work in accord with requirements of contract documents.
- F. Fit work airtight to pipes, sleeves, ducts, conduit and other penetrations through surfaces.
- G. Refinish entire surfaces as necessary to provide an even finish to match adjacent finishes:
 - 1. For continuous surfaces, refinish to nearest intersection.
 - 2. For an assembly, refinish entire unit.

3.4 PAVEMENT RESTORATION

- A. Restore all pavement or roadway surfaces in accordance with Section 02575 – Repair and Restoration of Pavement, Sidewalk, Etc.
- B. Restore, replace or rebuild existing street paving, including underdrains, if any are encountered, where damaged, using the same type of construction as was in the original. Be responsible for restoring all such work, including subgrade, base courses, curb and gutter or other appurtenances where present. The CITY Manager or designee will obtain the permits listed in the Contract Documents. Obtain and pay for at CONTRACTOR's expense any additional local or other governmental permits as may be required for the opening of streets and be satisfied as to any requirements other than those herein set forth which may effect the type, quality and manner of carrying on the restoration of surfaces by reason of jurisdiction of such governmental bodies.
- C. This section does not describe the construction of new road surfaces or the complete resurfacing of existing pavements.
- D. In all cases, the CONTRACTOR will be required to maintain, without additional compensation, all permanent replacement of street paving, done by him under this Contract for a period of 12 months after the acceptance of the Contract, including the removal and replacement of such work wherever surface depressions or underlying cavities result from settlement of trench backfill.
- E. Perform all the final resurfacing or repaving of streets or roads, over the excavations made and be responsible for relaying paving surfaces of roads that have failed or been damaged at any time before the termination of the maintenance period on account of work done by him. Resurface or repave over any tunnel jacking, or boring excavation that settles or breaks the surface, repave

- F. Where pipeline construction crosses paved streets, driveways or sidewalks, the CONTRACTOR may elect, at no additional cost to the CITY, to place the pipe by the jacking and boring, horizontal direction drilling, or tunneling method in lieu of cutting and patching of the paved surfaces. Such work shall be accomplished in accordance with all applicable sections of the Contract Documents.

END OF SECTION

SECTION 01051
ALIGNMENT AND GRADES

PART 1 GENERAL

1.1 SECTION INCLUDES

- A. General
- B. Surveys
- C. Datum Plane
- D. Protection of Survey Data

1.2 GENERAL

- A. Construct all work in accordance with the lines and grades shown on the Drawings. Assume full responsibility for keeping all alignment and grade.

1.3 SURVEYS

- A. Reference Points: The CITY will provide reference points for the work as described in the General Conditions. Base horizontal and vertical control points will be designated by the ENGINEER and used as datum for the Work. Perform all additional survey, layout, and measurement work.
 - 1. Keep ENGINEER informed, sufficiently in advance, of the times and places at which work is to be performed so that base horizontal and vertical control points may be established and any checking deemed necessary by ENGINEER may be done, with minimum inconvenience to the ENGINEER and at no delay to CONTRACTOR. It is the intention not to impede the Work for the establishment of control points and the checking of lines and grades set by the CONTRACTOR. When necessary, however, suspend working operations for such reasonable time as the ENGINEER may require for this purpose. Costs associated with such suspension are deemed to be included in the Contract Price, and no time extension or additional costs will be allowed.
 - 2. Provide an experienced survey crew, including a Professional Land Surveyor, an instrument operator, competent assistants, and any instruments, tools, stakes, and other materials required to complete the survey, layout, and measurement of work performed by the CONTRACTOR.

1.4 DATUM PLANE

- A. All datum indicated or specified refer to the North American Datum 1983/1990 (NAD83/90 datum), of the United States Coast and Geodetic Survey and are expressed in feet and decimal parts thereof, or in feet and inches.

1.5 PROTECTION OF SURVEY DATA

- A. General: Safeguard all points, stakes, grade marks, known property corners, monuments, and benchmarks made or established for the Work. Reestablish them if disturbed, and bear the entire expense of checking reestablished marks and rectifying work improperly installed.
- B. Records: Keep neat and legible notes of measurements and calculations made in connection with the layout of the Work. Furnish copies of such data to the ENGINEER for use in checking the CONTRACTOR's layout. Data considered of value to the City Manager or designee will be transmitted to the City Manager or designee by the ENGINEER with other records on completion of the Work.

PART 2 PRODUCTS

Not Used

PART 3 EXECUTION

Not Used

END OF SECTION

SECTION 01090

REFERENCES

PART 1 GENERAL

1.1 SECTION INCLUDES

- A. Reference Abbreviations
- B. Abbreviations
- C. Reference Standards
- D. Definitions

1.2 RELATED SECTIONS

- A. Information provided in this section is used where applicable in individual Specification Sections, Divisions 2 through 16.

1.3 REFERENCE ABBREVIATIONS

- A. Reference to a technical society, trade association or standards setting organization, may be made in the Specifications by abbreviations in accordance with the following list:

AABC	Associated Air Balance Council
AAMA	Architectural Aluminum Manufacturers Association
AASHTO	American Association of State Highway and Transportation Officials
AATCC	American Association of Textile Chemists and Colorists
ACI	American Concrete Institute
ADC	Air Diffusion Council
AFBMA	Anti-friction Bearing Manufacturers Association
AGA	American Gas Association
AGMA	American Gear Manufacturers Association
AHA	Association of Home Appliance Manufacturers
AISC	American Institute of Steel Construction
AISI	American Iron and Steel Institute
AMCA	Air Movement and Control Association, Inc.
ANSI	American National Standards Institute
APA	American Plywood Association
ARI	American Refrigeration Institute
ASCE	American Society of Civil Engineers
ASHRAE	American Society of Heating, Refrigerating and Air Conditioning Engineers
ASME	American Society of Mechanical Engineers

ASSE	American Society of Sanitary Engineers
ASTM	American Society for Testing and Materials
AWI	Architectural Woodwork Institute
AWPA	American Wood Preservers Association
AWS	American Welding Society
AWWA	American Water Works Association
BHMA	Builders' Hardware Manufacturers Association
BIA	Brick Institute of American
CABO	Council of American Building Officials
CAGI	Compressed Air and Gas Institute
CISPI	Cast Iron Soil Pipe Institute
CMAA	Crane Manufacturers Association of America
CRD	U.S. Corps of Engineers Specifications
CRSI	Concrete Reinforcing Steel Institute
CTI	Cooling Tower Institute
DHI	Door and Hardware Institute
DOH	Department of Health
DOT	Department of Transportation
Fed. Spec.	Federal Specifications
FGMA	Flat Glass Marketing Association
FM	Factory Mutual
HMI	Hoist Manufacturing Institute
HPMA	See HPVA
HPVA	Hardwood Plywood Veneer Association
ICEA	Insulated Cable Engineers Association
IEEE	Institute of Electrical and Electronics Engineers
IFI	Industrial Fasteners Institute
MIL	Military Specifications
MSS	Manufacturer's Standardization Society
NAAMM	National Association of Architectural Metal Manufacturers
NACM	National Association of Chain Manufacturers
NBS	National Bureau of Standards, See NIST
NEBB	National Environmental Balancing Bureau
NEC	National Electrical Code
NEMA	National Electrical Manufacturers Association
NETA	National Electrical Testing Association
NFPA	National Fire Protection Association
NFPA	National Forest Products Association
NFPA	National Fluid Power Association
NIST	National Institute of Standards and Technology
NLMA	National Lumber Manufacturers Association
NSF	National Sanitation Foundation
OSHA	Occupational Safety and Health Act
PCI	Prestressed Concrete Institute
PDI	Plumbing and Drainage Institute
SAE	Society of Automotive Engineers
SCPRF	Structural Clay Products Research Foundation
SMACNA	Sheet Metal and Air Conditioning Contractors' National Association
SPI	Society of the Plastics Industry

SSPC	Steel Structures Painting Council
STI	Steel Tank Institute
TCA	Tile Council of American
TIMA	Thermal Insulation Manufacturers' Association
UL	Underwriters' Laboratories, Inc.
USBR	U. S. Bureau of Reclamation
USBS	U. S. Bureau of Standards, See NIST

1.4 ABBREVIATIONS

- A. Abbreviations which may be used in individual Specification Sections Divisions 1 through 16 are as follows:

alternating current..... ac	cubic yard(s) cu yd
American wire gauge AWG	
ampere(s) amp	decibels..... dB
ampere-hour(s) AH	decibels (A scale) dBa
annual ann	degree(s) deg
Ampere Interrupting	dewpoint temperature dpt
Capacity AIC	diameter dia
atmosphere(s)..... atm	direct current..... dc
average avg	dissolved oxygen DO
	dissolved solids DS
biochemical oxygen demand BOD	dry-bulb temperature dbt
Board Foot FBM	
brake horsepower bhp	efficiency eff
Brinell Hardness BH	elevation el
British thermal unit(s)..... Btu	engineer of record.....EOR
	entering water temperature ewt
calorie (s) cal	entering air temperature eat
carbonaceous biochemical	equivalent direct radiation.....edr
oxygen demand CBOD	
Celsius (centigrade)..... C	face area.....fa
Center to Center C to C	face to face f to f
centimeter(s)..... cm	Fahrenheit..... F
chemical oxygen demand.....COD	feet per day..... fpd
coefficient, valve flow..... C _v	feet per hour fph
condensate return..... CR	feet per minute..... fpm
cubic cu	feet per second fps
cubic centimeter(s) cc	foot (feet) ft
cubic feet per day cfd	foot-candle fc
cubic feet per hour cfh	foot-pound.....ft-lb
cubic feet per minute cfm	foot-pounds per minute..... ft-lb/min
cubic feet per minute,	foot-pounds per second..... ft-lb/sec
standard conditions scfm	formazin turbidity unit(s) FTU
cubic feet per second cfs	frequency freq
cubic foot (feet) cu ft	fuel oil FO
cubic inch(es)..... cu in	fuel oil supply FOS

fuel oil return FOR
 gallon(s) gal
 gallons per daygpd
 gallons per day per
 cubic foot gpd/cu ft
 gallons per day per
 square foot..... gpd/sq ft
 gallons per hour gph
 gallons per minutegpm
 gallons per second..... gps
 gas chromatography and
 mass spectrometryGC-MS
 gaugega
 grain(s)..... gr
 gram(s)g
 grams per cubic centimeter gm/cc
 Heat Transfer Coefficient..... U
 heighthgt
 Hertz Hz
 horsepower hp
 horsepower-hour..... hp-hr
 hour(s) hr
 humidity, relative..... rh
 hydrogen ion concentration pH

 inch(es) in
 inches per second..... ips
 inside diameter ID

 Jackson turbidity unit(s) JTU

 kelvin..... K
 kiloamperes kA
 kilogram(s)kg
 kilometer(s) km
 kilovar (kilovolt-amperes
 reactive) kvar
 kilovolt(s)..... kV
 kilovolt-ampere(s) kVA
 kilowatt(s)..... kW
 kilowatt-hour(s) kWh

 linear foot (feet)..... lin ft
 liter(s) L

 megavolt-ampere(s)..... MVA
 meter(s)m
 micrograms per liter ug/L

miles per hourmph
 milliampere(s) mA
 milligram(s) mg
 milligrams per liter mg/L
 milliliter(s)..... mL
 millimeter(s) mm
 million gallons MG
 million gallons per day mgd
 millisecond(s)..... ms
 millivolt(s)..... mV
 minute(s)..... min
 mixed liquor suspended
 solids..... MLSS
 nephelometric turbidity
 unit NTU
 net positive suction headNPSH
 noise criteria nc
 noise reduction coefficient NRC
 number..... no

 ounce(s)..... oz
 outside air oa
 outside diameter OD

 parts per billion ppb
 parts per million ppm
 percent..... pct
 phase (electrical) ph
 pound(s)..... lb
 pounds per cubic foot pcf
 pounds per cubic foot
 per hour pcf/hr
 pounds per day lbs/day
 pounds per day per
 cubic foot lbs/day/cu ft
 pounds per day per
 square foot..... lbs/day/sq ft
 pounds per square foot..... psf
 pounds per square foot
 per hour psf/hr
 pounds per square inch psi

 pounds per square inch
 absolute psia
 pounds per square inch
 gauge..... psig
 power factor PF
 pressure drop or
 difference dp

pressure, dynamic
 (velocity) vp
 pressure, vapor..... vap pr

 quart(s) qt

 Rankine..... R
 relative humidity rh
 resistance res
 return air ra
 revolution(s) rev
 revolutions per minute rpm
 revolutions per second rps
 Right of Way.....ROW
 root mean squared..... rms

 safety factor sf
 second(s) sec
 shading coefficient..... SC
 sludge density index SDI

 Sound Transmission
 Coefficient..... STC
 specific gravity sp gr
 specific volume Sp Vol
 sp ht at constant pressure Cp
 square..... sq
 square centimeter(s)..... sq cm
 square foot (feet) sq ft
 square inch (es)..... sq in
 square meter(s) sq m
 square yard(s)..... sq yd
 standard..... std
 static pressurest pr
 supply air sa
 suspended solids..... SS

 temperature temp

temperature difference TD
 temperature entering TE
 temperature leaving..... TL
 thousand Btu per hour Mbh
 thousand circular mils..... kcmil
 thousand cubic feet Mcf
 threshold limit value..... TLV
 tons of refrigeration..... tons
 torque..... TRQ
 total dissolved solids..... TDS
 total dynamic head TDH
 total kjeldahl nitrogen..... TKN
 total oxygen demand TOD
 total pressure..... TP
 total solids..... TS
 total suspended solids TSS
 total volatile solids TVS
 vacuum vac
 viscosity visc
 volatile organic chemical VOC
 volatile solids VS
 volatile suspended solids..... VSS
 volt(s)..... V
 volts-ampere(s)..... VA
 volume vol
 watt(s) W
 wathour(s)..... Wh
 watt-hour demand..... WHD
 watt-hour demand meter WHDM
 week(s) wk
 weight wt
 wet-bulb WB
 wet bulb temperature..... WBT

 yard(s)..... yd
 year(s)..... yr

1.5 REFERENCE PUBLICATIONS

The following publications are incorporated into this Manual and are made a part of this Manual as is set out verbatim in this Manual. Violations of any provision of every such publication, latest revision, shall be a violation of City Ordinance.

- A. Water Environment Federation, Manual of Practice No. 8, Wastewater Treatment Plant Design, W.E.F., 601 Wythe Street, Alexandria, VA, 22314-1994.

- B. Water Environment Federation, Manual of Practice No. 9, Design and Construction of Sanitary and Storm Sewers, W.E.F., 601 Wythe Street, Alexandria, VA, 22314-1994.
- C. Great Lakes/Upper Mississippi River Board of State Sanitary Engineers. Recommended Standards for Sewage Works, Health Education Service, Inc., P.O. Box 7283, Albany, New York, 12224.
- D. Great Lakes/Upper Mississippi River Board of State Sanitary Engineers. Recommended Standards for Water Works, Health Education Service, Inc., P.O. Box 7283, Albany, New York, 12224.
- E. Florida Department of Environmental Protection for Water, Wastewater, and Reclaimed Water Systems, latest revisions of F.A.C. Chapters 62-550, 62-555, 62-600, 62-604, 62-610, 64E-6, and 64E-8, 3900 Commonwealth Boulevard M.S. 49, Tallahassee, Florida, 32399.
- F. American Water Works Association, Inc., Water Treatment Plant Design, 6666 West Quincy Avenue, Denver, Colorado, 80235.
- G. American Water Works Association, Inc., Water Treatment Plant Design, AWWA Standards and Applicable Manuals, 6666 West Quincy Avenue, Denver, Colorado, 80235.
- H. Ductile Iron Pipe Research Association, Handbook, Ductile Iron Pipe/Cast Iron Pipe, Ductile Iron Pipe Research Association, 245 Riverchase Parkway East, Birmingham, Alabama, 35244.
- I. Uni-Bell Plastic Pipe Association, Handbook of PVC Pipe, Uni-Bell Plastic Pipe Association, 2655 Villa Creek Drive, Suite 164, Dallas, Texas, 75234.
- J. American National Standards Institute, latest revisions of applicable standards, 1819 L Street NW, Suite 600, Washington, D.C., 20036.
- K. American Society for Testing and Materials, latest revisions of applicable standards, ASTM International, 100 Barr Harbor Drive, PO Box C700, West Conshohocken, Pennsylvania, 19428-2959.
- L. National Water Research Institute, Treatment Technologies for Removal of MTBE. NWRI, 10500 Ellis Ave., P.O. Box 20865, Fountain Valley, CA, 92728.
- M. National Water Research Institute, Valuing Ground Water: Economic Concepts/Approaches. NWRI, 10500 Ellis Ave., P.O. Box 20865, Fountain Valley, CA, 92728.7.3.14.
- N. U.S. Environmental Protection Agency, Design Criteria for Mechanical, Electric, and Fluid System and Component Reliability, Supplement to the Federal Guidelines for Design, Operation, and Maintenance of Wastewater Treatment Facilities, Technical Bulletin EPA-430-99-74-001, U.S. EPA, Office of Water Program Operations.

- O. Florida Department of Transportation, Standard Specifications for Road and Bridge Construction, Maps & Publications Sales, Mail Station 12, 605 Suwannee Street, Tallahassee, Florida 32399-0450.
- P. Plastics Pipe Institute, Handbook of Polyethylene Pipe, 1825 Connecticut Ave., NW, Suite 680, Washington, DC 20009.
- Q. National Fire Protection Association, 1995 Edition of NFPA 24 – Standard for the Installation of Private Fire Service Mains and Their Appurtenances, 1 Batterymarch Park, Quincy, MA 02169.
- R. City of Naples Utilities Standards and Specifications Manual.
- S. National Electrical Code, latest revisions of applicable requirements.
- T. Metcalf and Eddy, Wastewater Engineering Treatment and Reuse, 4th Edition, McGraw-Hill, 2002.
- U. Water Environment Federation, Manual of Practice No. 11, Operation of Municipal Wastewater Treatment Plants, 601 Wythe Street, Alexandria, VA 22314-1994.
- V. American Petroleum Institute, 1801 K Street NW, Washington, DC 20006.
- W. American Welding Society, 2501 NW 7th St, Miami, FL 33125
- X. Factory Mutual Research, 1151 Boston-Providence Turnpike, Norwood, MA 02062
- Y. National Association of Corrosion Engineers, P.O. Box 218340, Houston, TX 77218.
- Z. National Electrical Manufacturer's Association, 155 East 44th St., NY, NY 10017.
- AA. Occupational Safety and Health Act, U.S. Dept. of Labor, Occupational Safety and Health Administration, 299E. Broward Blvd. – Rm 302, Ft. Lauderdale, FL 33301.
- BB. Society of Automotive Engineers, 2 Pennsylvania Plaza, NY, NY 10001.
- CC. Steel Structures Painting Council, 4400 Fifth Ave., Pittsburgh, PA 15213.
- DD. Standard Specification for Public Works, Construction Building News, Inc., 3055 Overland Ave., Los Angeles, CA 90034.
- EE. Uniform Building Code, published by ICBO.
- FF. Underwriters Laboratories, Inc., 207 East Ohio Street, Chicago, IL 60611.

1.6 REFERENCE STANDARDS

- A. Latest Edition: Construe references to furnishing materials or testing, which conform to the standards of a particular technical society, organization, or body, to mean the latest standard, code, or specification of that body, adopted and published as of the date of bidding this Contract. Standards referred to herein are made a part of these Specifications to the extent that is indicated or intended.
- B. Precedence: The duties and responsibilities of the CITY, CONTRACTOR or ENGINEER, or any of their consultants, agents or employees are set forth in the Contract Documents, and are not changed or altered by any provision of any referenced standard specifications, manuals or code, whether such standard manual or code is or is not specifically incorporated by reference in the Contract Documents. Any duty or authority to supervise or direct the furnishing or performance of the Work or any duty or authority, to undertake responsibility contrary to the powers of the ENGINEER as set forth in the Contract Documents cannot be assigned to the ENGINEER or any of the ENGINEER's consultants, agents or employees.

1.7 DEFINITIONS

- A. In these Contract Documents the words furnish, install, and provide are defined as follows:
 - 1. Furnish (Materials): to supply and deliver to the project ready for installation and in operable condition.
 - 2. Install (services or labor): to place in final position, complete, anchored, connected in operable condition.
 - 3. Provide: to furnish and install complete. Includes the supply of specified services. When neither furnish, install, or provide is stated, provided is implied.
 - 4. CITY or City: City Council, Naples, Florida , or authorized staff or representatives.
 - 5. ENGINEER: The terms Design Professional, Design Engineer, Engineer, and Engineer of Record are interchangeably used throughout the Contract Documents.

PART 2 PRODUCTS

Not Used

PART 3 EXECUTION

Not Used

END OF SECTION

SECTION 01400
QUALITY CONTROL

PART 1 GENERAL

1.1 SECTION INCLUDES

- A. Submittals
- B. Inspection Services
- C. Inspection of Materials
- D. Quality Control
- E. Costs of Inspection
- F. Acceptance Tests
- G. Failure to Comply with Contract

1.2 SUBMITTALS

- A. General: Provide all submittals, including the following, as specified in Division 1 and the individual material sections. Submit manufacturer's Certificates of Inspection, descriptive literature, catalog data, illustrations, principle dimensions, materials of construction, specifications, installation instructions, and related information. See Section 01730 for operation manual submittal information.
- B. Certificate Submittals: Furnish the ENGINEER authoritative evidence in the form of Certificates of Manufacture that the materials and equipment to be used in the Work have been manufactured and tested in conformity with the Contract Documents and this Manual and Specifications. Include copies of the results of physical tests and chemical analyses, where necessary, that have been made directly on the product or on similar products of the manufacturer.

1.3 TESTS AND INSPECTIONS

- A. City's Access: At all times during the progress of the Work, and until the date of final completion, afford the City Manager or designee and ENGINEER every reasonable, safe, and proper facility for inspecting the Work at the site. The observation and inspection of any work will not relieve the CONTRACTOR of any obligations to perform proper and satisfactory work as specified. Replace work rejected due to faulty design, inferior, or defective materials, poor workmanship, improper installation, excessive wear, or nonconformity with the requirements of the Contract Documents, with satisfactory work at no additional cost to the City. Replace as directed, finished or unfinished work found not to be in strict

accordance with the Contract, even though such work may have been previously approved and payment made therefor.

The City of Naples, its respective representatives, agents and employees, and governmental agencies with jurisdiction over the Project shall have access at all time to Work, whether the Work is being performed on or off the Project site, for their observation, inspection and testing. Contractor shall provide proper, safe conditions for such access. Contractor shall provide Engineer with timely notice of readiness of the Work for all required inspections, tests or approvals.

If the Contract Documents or any codes, laws, ordinances, rules or regulations of any public authority having jurisdiction over the Project requires any portion of the Work to be specifically inspected, tested or approved, Contractor shall assume full responsibility therefore, pay all costs in connection therewith and furnish Engineer the required certificates of inspection, testing or approval. All inspections, tests or approvals shall be performed in a manner and by organizations acceptable to the Engineer and The City of Naples.

If any Work that is to be inspected, tested or approved is covered without written concurrence from the Engineer, such work must, if requested by Engineer, be uncovered for observation. Such uncovering shall be at Contractor's expense unless Contractor has given Engineer timely notice of Contractor's intention to cover the same and Engineer has not acted with reasonable promptness to respond to such notice. If any Work is covered contrary to written directions from Engineer, such Work must, if requested by Engineer, be uncovered for Engineer's observation and be replaced at Contractor's sole expense.

The City shall charge to Contractor and may deduct from any payments due Contractor all engineering and inspection expenses incurred by the City in connection with any overtime work. Such overtime work consisting of any work during the construction period beyond the regular eight (8) hour day and for any work performed on Saturday, Sunday or holidays.

Neither observations nor other actions by the Engineer nor inspections, tests or approvals by others shall relieve Contractor from Contractor's obligations to perform the Work in accordance with the Contract Documents.

- B. Rejection: The City's Manager or designee has the right to reject materials and workmanship which are defective or require correction. Promptly remove rejected work and materials from the site.
- C. Inferior Work Discoveries: Failure or neglect on the part of the City Manager or designee to condemn or reject bad or inferior work or materials does not imply an acceptance of such work or materials. Neither is it to be construed as barring the City Manager or designee at any subsequent time from recovering damages or a sum of money needed to build anew all portions of the Work in which inferior work or improper materials were used.

Work not conforming to the requirements of the Contract Documents shall be deemed defective Work. If required by Engineer, Contractor shall as directed, either correct all defective Work, whether or not fabricated, installed or completed, or if the defective Work has been rejected by Engineer, remove it from the site and replace it with undefective Work. Contractor shall bear all direct, indirect and consequential costs of such correction or removal (including, but not limited to fees and charges of engineers, architects, attorneys and other professionals) made necessary thereby, and shall hold the City harmless for same.

If any portion of the Work is defective, or Contractor fails to supply sufficient skilled workers with suitable materials or equipment, or fails to finish or perform the Work in such a way that the completed Work will conform to the Contract Documents, Engineer may order Contractor to stop the Work, or any portion thereof, until the cause for such order has been eliminated; however, this right of the Engineer to stop the Work shall not give rise to any duty on the part of the City or Engineer to exercise this right for the benefit of Contractor or any other party.

Should the City determine, at its sole opinion, it is in the City's best interest to accept defective Work, the City may do so. Contractor shall bear all direct, indirect and consequential costs attributable to the City's evaluation of and determination to accept defective Work. If such determination is rendered prior to final payment, a Change Order shall be executed evidencing such acceptance of such defective Work, incorporating the necessary revisions in the Contract Documents and reflecting an appropriate decrease in the Contract Amount. If the City accepts such defective Work after final payment, Contractor shall promptly pay the City an appropriate amount to adequately compensate the City for its acceptance of the defective Work.

If Contractor fails, within a reasonable time after the written notice from the City or Engineer, to correct defective Work or to remove and replace rejected defective Work as required by Engineer, or if Contractor fails to perform the Work in accordance with the Contract Documents, or if Contractor fails to comply with any of the provisions of the Contract Documents, the City may, after seven (7) days written notice to Contractor, correct and remedy any such deficiency. To the extent necessary to complete corrective and remedial action, the City may exclude Contractor from any or all of the Project site, take possession of all or any part of the Work, and suspend Contractor's services related thereto, take possession of Contractor's tools, appliances, construction equipment and machinery at the Project site and incorporate in the Work all materials and equipment stored at the Project site or for which the City has paid Contractor but which are stored elsewhere. Contractor shall allow the City and its respective representatives, agents, and employees such access to the Project site as may be necessary to enable the City to exercise the rights and remedies under the paragraph. All direct, indirect and consequential costs of the City in exercising such rights and remedies shall be charged against Contractor, and a Change Order shall be issued, incorporating the necessary revisions to the Contract Documents, including an appropriate decrease to the Contract Amount. Such direct, indirect and consequential costs shall include, but not be limited to, fees and charges of engineers, architects, attorneys, and other professionals, all court costs and all

costs of repair and replacement or work of others destroyed or damaged by Contractor shall not be allowed an extension of the Contract Time because of any delay in performance of the Work attributable to the exercise by the City of The City's rights and remedies hereunder.

- D. **Removal for Examination:** Should it be considered necessary or advisable by the City Manager or designee, at any time before final acceptance of the Work, to make examinations of portions of the Work already completed, by removing or tearing out such portions, promptly furnish all necessary facilities, labor, and material, to make such an examination. If such Work is found to be defective in any respect, defray all expenses of such examination and of satisfactory reconstruction. If, however, such work is found to meet the requirements of the Contract, the cost of examination and restoration of the Work will be considered a change in the Work to be paid for in accordance with applicable provisions of the Contract.

If the City or Engineer consider it necessary or advisable that covered Work be observed by Engineer or inspected or tested by others, Contractor, at the City's or Engineer's request, shall uncover, expose or otherwise make available for observation, inspection or tests as the Engineer may require, that portion of the Work in question, furnishing all necessary labor, material and equipment. If it is found that such Work is defective, Contractor shall bear all direct, indirect and consequential costs of such uncovering, exposure, observation, inspection and testing and of satisfactory reconstruction (including, but not limited to, fees and charges of engineers, architects, attorneys and other professionals), and the City shall be entitled to an appropriate decrease in the Contract Amount. If, however, such Work is not found to be defective, Contractor shall be allowed an increase in the Contract Amount and/or an extension to the Contract Time, directly attributable to such uncovering, exposure, observation, inspection, testing and reconstruction.

- E. **Operation Responsibility:** Assume full responsibility for the proper operation of equipment during tests and instruction periods. Make no claim, other than provided in the Contract Documents, for damage that may occur to equipment prior to the time when the City Manager or designee accepts the Work.
- F. **Rejection Prior to Warranty Expiration:** If at anytime prior to the expiration of any applicable warranties or guarantees, defective equipment is rejected by the City Manager or designee, repay to the CITY all sums of money received for the rejected equipment on progress certificates or otherwise on account of the Contract lump sum prices, and upon the receipt of the sum of money, City Manager or designee will execute and deliver a bill of sale of all its rights, title, and interest in and to the rejected equipment. Do not remove the equipment from the premises of the CITY until the City Manager or designee obtains from other sources, equipment to take the place of that rejected. The City Manager or designee hereby agrees to obtain other equipment within a reasonable time and the CONTRACTOR agrees that the CITY may use the equipment furnished by the CONTRACTOR without rental or other charge until the other new equipment is obtained.

1.4 INSPECTION OF MATERIALS

- A. Premanufacture Notification: Give notice in writing to the ENGINEER sufficiently in advance of the commencement of manufacture or preparation of materials especially manufactured or prepared for use in or as part of the permanent construction. When required, notice to include a request for inspection, the date of commencement, and the expected date of completion of the manufacture or preparation of materials. Upon receipt of such notice, ENGINEER will arrange to have a representative present at such times during the manufacture or testing as may be necessary to inspect the materials, or will notify CONTRACTOR that the inspection will be made at a point other than the point of manufacture or testing, or that the inspection will be waived. Comply with these provisions before shipping any materials. Such inspection will not constitute a release from the responsibility for furnishing materials meeting the requirements of the Contract Documents.
- B. Testing Standards: Conduct tests of electrical and mechanical equipment and appliances in accordance with recognized, applicable test codes.

1.5 QUALITY CONTROL

A. Testing

1. Field and Laboratory

- a. Provide personnel to assist the ENGINEER in performing the following periodic observation and associated services.
 - (1) Soils: Observe and test excavations, placement and compaction of soils. Determine suitability of excavated material. Observe subgrade soils and foundations.
 - (2) Concrete: Observe forms and reinforcement; observe concrete placement; witness air entrainment tests, facilitate concrete cylinder preparation and assist with other tests performed by ENGINEER.
 - (3) Masonry: Sample and test mortar, bricks, blocks and grout; inspect brick and block samples and sample panels; inspect placement of reinforcement and grouting.
 - (4) Structural Steel: Verify that all welders are certified; visually inspect all structural steel welds; mechanically test high-tensile bolted connections.
- b. When specified in Divisions 2 through 16 of the Contract Documents, provide an independent laboratory testing facility to perform required testing. Qualify the laboratory as having performed previous satisfactory work. Prior to use, submit to the ENGINEER for approval.

- c. Cooperate with the ENGINEER and laboratory testing representatives. Provide at least 24 hours notice prior to when specified testing is required. Provide labor and materials, and necessary facilities at the site as required by the ENGINEER and the testing laboratory.
 - d. When an independent electrical testing agency is specified in the Contract Documents, provide a member of the National Electrical Testing Association to perform inspections and tests.
- 2. Equipment: Coordinate and demonstrate test procedures as specified in the Contract Documents and as required during the formal tests.
 - 3. Pipeline and Other Testing: Conform to test procedures and requirements specified in the appropriate Specification Section.
 - 4. Testing of Gravity Sanitary Sewer Lines
 - a. Watertight Construction: It is imperative that all sewers and force mains, manholes, and service connections be built watertight and that the CONTRACTOR adhere rigidly to the specifications for material and workmanship. Since all of the water and sewage in the lines will be treated at the treatment plant, special care and attention must be given to securing watertight construction. After completion, the sewers or sections thereof will be tested and gauged. If infiltration or exfiltration is above the limits specified, the sewer construction work will be rejected.
 - b. Cleaning: Exercise care during construction of the manhole to see that materials do not enter the sewer line. Keep the invert and shelf of the manhole clean of all mortar, broken brick, sand, or any other materials falling into the manhole. Immediately remove such material. Maintain this condition until final acceptance of the work. Prior to testing of gravity sanitary sewer lines, clean the lines using appropriate tools.
 - c. Gravity Sewers - Visual Inspections: On completion of each block or section of sewer, or at such other times as the City Manger or designee may direct, the block or section of sewer is to be cleaned, tested and inspected. Each section of the sewer is to show, on examination from either end, a full circle of light between manholes. Each manhole, or other appurtenance to the system, shall be of the specified size and form, be watertight, neatly and substantially constructed, with the rim set permanently to design position and grade. All repairs shown necessary by the inspection are to be made; broken or cracked pipe replaced, all deposits removed and the sewers left true to line and grade, entirely clean and ready for use.

- d. Infiltration Limits: Provide the equipment necessary to check the lines for infiltration or exfiltration as directed by the City Manager or designee, before they are put in service. Infiltration in excess of fifty (50) gallons per day inch-mile of sewer will result in having the CONTRACTOR go over the lines, ascertain where the leakage exists, and repair the lines to the extent necessary to bring the infiltration down within acceptable limits. Observable inflow is not permitted.
- e. Exfiltration Limits: The length of sewer subject to an exfiltration test shall be the distance between two (2) adjacent manholes. Close the inlets of the upstream and downstream manholes with watertight plugs and the test section filled with water until the elevation of the water in the upstream manhole is two (2) feet above the crown of the pipe in the line being tested, or two (2) feet above the existing groundwater in the trench, whichever is higher. A standpipe may be used instead of the upstream manhole for providing the pressure head when approved by the City Manager or designee. Measure exfiltration by determining the amount of water required to maintain the initial water elevation for one (1) hour period from the start of the test. The maximum allowable leakage, including manholes, shall be 50 gallon per inch for diameter per mile of pipe per day.
- f. Air Testing: Air testing shall be required if, in the opinion of the City Manager or designee, conditions are such that infiltration measurements may be inconclusive. Conduct the test in the presence of the City Manager or designee and conform to the following requirements:
 - (a) Test pressure shall be 3.5 psi increased by the groundwater pressure above the top of the sewer.
 - (b) Pressure loss from shall not exceed 0.5 psi during the required testing time.
 - (c) Testing time in minutes shall be calculated as $0.625 \times$ nominal pipe size (inches).

B. Reports

- 1. Certified Test Reports: Where transcripts or certified test reports are required by the Contract Documents, meet the following requirements:
 - a. Before delivery of materials or equipment submit and obtain approval of the ENGINEER for all required transcripts, certified test reports, certified copies of the reports of all tests required in referenced specifications or specified in the Contract Documents. Perform all testing in an approved independent laboratory or the manufacturer's laboratory. Submit for approval reports of shop equipment tests within thirty days of testing. Transcripts or test reports are to be

accompanied by a notarized certificate in the form of a letter from the manufacturer or supplier certifying that tested material or equipment meets the specified requirements and the same type, quality, manufacture and make as specified. The certificate shall be signed by an officer of the manufacturer or the manufacturer's plant manager.

2. Certificate of Compliance: At the option of the ENGINEER, submit for approval a notarized Certificate of Compliance. The Certificates may be in the form of a letter stating the following:
 - a. Manufacturer has performed all required tests
 - b. Materials to be supplied meet all test requirements
 - c. Tests were performed not more than one year prior to submittal of the certificate
 - d. Materials and equipment subjected to the tests are of the same quality, manufacture and make as those specified
 - e. Identification of the materials

1.6 COSTS OF INSPECTION

- A. CITY's Obligation: Initial inspection and testing of materials furnished under this Contract will be performed by the City Manager or designee, or inspection bureaus without cost to the CONTRACTOR, unless otherwise expressly specified. If subsequent testing is necessary due to failure of the initial tests or because of rejection for noncompliance, reimburse the CITY for expenditures incurred in making such tests.
- B. CONTRACTOR's Obligation: Include in the Contract Price, the cost of all shop and field tests of equipment and other tests specifically called for in the Contract Documents, except those tests described above under "CITY's Obligation". The City Manager or designee may perform tests on any material or equipment furnished under this Contract at any time during the Contract. If tests performed by the City Manager or designee result in failure or rejection for noncompliance, reimburse the CITY for expenditures incurred in making such tests. Tests performed by the City Manager or designee shall prevail in determining compliance with Contract requirements.
- C. Reimbursements to the CITY:
 1. Materials and equipment submitted by the CONTRACTOR as the equivalent to those specifically named in the Contract may be tested by the City Manager or designee for compliance. Reimburse the CITY for expenditures incurred in making such tests on materials and equipment that are rejected for noncompliance.

2. Reimburse the CITY for all costs associated with Witness Tests that exceed 5 Calendar Days per kind of equipment.

1.7 ACCEPTANCE TESTS

- A. Preliminary Field Tests: As soon as conditions permit, furnish all labor and materials and services to perform preliminary field tests of all equipment provided under this Contract. If the preliminary field tests disclose that any equipment furnished and installed under this Contract does not meet the requirements of the Contract Documents, make all changes, adjustments and replacements required prior to the acceptance tests.
- B. Final Field Tests: Upon completion of the Work and prior to final payment, subject all equipment, piping and appliances installed under this Contract to specified acceptance tests to demonstrate compliance with the Contract Documents.
 1. Furnish all labor, fuel, energy, water and other materials, equipment, instruments and services necessary for all acceptance tests.
 2. Conduct field tests in the presence of the ENGINEER. Perform the field tests to demonstrate that under all conditions of operation each equipment item:
 - a. Has not been damaged by transportation or installation
 - b. Has been properly installed
 - c. Has been properly lubricated
 - d. Has no electrical or mechanical defects
 - e. Is in proper alignment
 - f. Has been properly connected
 - g. Is free of overheating of any parts
 - h. Is free of all objectionable vibration
 - i. Is free of overloading of any parts
 - j. Operates as intended
 3. Operate work or portions of work for a minimum of 100 hours or 14 days continuous service, whichever comes first. For those items of equipment that would normally operate on wastewater or sludge, plant effluent may be used if available when authorized by ENGINEER. If water cannot properly exercise equipment, conduct 100-hour test after plant startup. Conduct test on those systems that require load produced by weather (heating or cooling) exercise only when weather will produce proper load.

- C. Failure of Tests: If the acceptance tests reveal defects in material or equipment, or if the material or equipment in any way fails to comply with the requirements of the Contract Documents, then promptly correct such deficiencies. Failure or refusal to correct the deficiencies, or if the improved materials or equipment, when tested again, fail to meet the guarantees or specified requirements, the City Manager or designee, notwithstanding its partial payment for work and materials or equipment, may reject said materials or equipment and may order the CONTRACTOR to remove the defective work from the site at no addition to the Contract Price, and replace it with material or equipment which meets the Contract Documents.

1.8 FAILURE TO COMPLY WITH CONTRACT

- A. Unacceptable Materials: If it is ascertained by testing or inspection that the material or equipment does not comply with the Contract, do not deliver said material or equipment, or if delivered remove it promptly from the site or from the Work and replace it with acceptable material without additional cost to the CITY. Fulfill all obligations under the terms and conditions of the Contract even though the City Manager or designee fail to ascertain noncompliance or notify the CONTRACTOR of noncompliance.

PART 2 PRODUCTS

Not Used

PART 3 EXECUTION

Not Used

END OF SECTION

SECTION 01500

CONSTRUCTION FACILITIES AND TEMPORARY CONTROLS

PART 1 GENERAL

1.1 SECTION INCLUDES

- A. General Requirements
- B. Related Sections
- C. Temporary Utilities
- D. Temporary Construction
- E. Barricades and Enclosures
- F. Fences
- G. Security
- H. Temporary Controls
- I. Traffic Regulation
- J. Field Offices and Sheds

1.2 RELATED SECTIONS

- A. Section 01010 - Summary of Work
- B. Section 01045 – Connection to Existing Systems
- C. Section 01570 – Traffic Regulations and Public Safety
- D. Section 02530 – Groundwater Control for Open Cut Excavation
- E. Section 02575 - Pavement Repair and Restoration
- F. Section 02650 –Laying and Jointing Buried Pipelines

1.3 GENERAL REQUIREMENTS

- A. Plant and Facilities: Furnish, install, maintain and remove all false work, scaffolding, ladders, hoistways, braces, pumping plants, shields, trestles, roadways, sheeting, centering forms, barricades, drains, flumes, and the like, any of which may be needed in the construction of any part of the Work and which are

not herein described or specified in detail. Accept responsibility for the safety and efficiency of such works and for any damage that may result from their failure or from their improper construction, maintenance or operation.

- B. First Aid: Maintain a readily accessible, completely equipped first aid kit at each location where work is in progress.
- C. Safety Responsibility: Accept sole responsibility for safety and security at the site. Indemnify and hold harmless the CITY and the City's Manager or designee, including the ENGINEER, for any safety violation, or noncompliance with governing bodies and their regulations, and for accidents, deaths, injuries, or damage at the site during occupancy or partial occupancy of the site by CONTRACTOR's forces while performing any part of the Work.
- D. Hazard Communication: Furnish two copies of the CONTRACTOR's Hazard Communication Program required under OSHA regulations before beginning on site activities. Furnish two copies of amendments to Hazard Communications Program as they are prepared.

1.4 TEMPORARY UTILITIES

- A. Water: Provide all necessary and required water without additional cost, unless otherwise specified. If necessary, provide and lay water lines to the place of use; secure all necessary permits; pay for all taps to water mains and hydrants and for all water used at the established rates.
- B. Light and Power: Provide without additional cost to the CITY temporary lighting and power facilities required for the proper construction and inspection of the Work. If, in the ENGINEER's opinion, these facilities are inadequate, do NOT proceed with any portion of the Work affected thereby. Maintain temporary lighting and power until the Work is accepted.
- C. Heat: Provide temporary heat, whenever required, for work being performed during cold weather to prevent freezing of concrete, water pipes, and other damage to the Work or existing facilities.
- D. Sanitary Facilities: Provide sufficient sanitary facilities for construction personnel. Prohibit and prevent nuisances on the site of the Work or on adjoining property. Discharge any employee who violates this rule. Abide by all environmental regulations or laws applicable to the Work.

1.5 TEMPORARY CONSTRUCTION

- A. Bridges: Design and place suitable temporary bridges where necessary for the maintenance of vehicular and pedestrian traffic. Assume responsibility for the sufficiency and safety of all such temporary work or bridges and for any damage that may result from their failure or their improper construction, maintenance, or operation. Indemnify and save harmless the CITY and the CITY's representatives from all claims, suits or actions, and damages or costs of every description arising by reason of failure to comply with the above provisions.

1.6 BARRICADES, LIGHTS AND ENCLOSURES

- A. Protection of Workmen and Public: Effect and maintain at all times during the prosecution of the Work, barriers, lights and enclosures necessary for the protection of workmen and the public. Perform all work within the City right-of-way in strict accordance with the CITY Maintenance of Traffic Policy and other applicable statutory requirements.
- B. Provide suitable barricades, lights, signs and watchmen at excavation sites and all other places where the Work causes obstructions to normal traffic or constitutes in any way a hazard to the public.

1.7 FENCES

- A. Existing Fences: Obtain written permission from property owner(s) prior to relocating or dismantling fences that interfere with construction operations. Reach agreements with the fence owner as to the period the fence may be left relocated or dismantled. Install adequate gates where fencing must be maintained. Keep gates closed and locked at all times when not in use.
- B. Restoration: Restore all fences to their original or better condition and to their original location on completion of the Work.

1.8 SECURITY

- A. Preservation of Property:
 - 1. Preserve from damage, all property along the line of the Work, in the vicinity of or in any way affected by the Work, the removal or destruction of which is not called for by the Drawings. Preserve from damage, public utilities, trees, lawn areas, building monuments, fences, pipe and underground structures, and public streets. Note: Normal wear and tear of streets resulting from legitimate use by the CONTRACTOR are not considered as damage. Whenever damages occur to such property, immediately restore to its original condition. Costs for such repairs are incidental to the Contract.
 - 2. In case of failure on the part of the CONTRACTOR to restore property or make good on damage or injury, the City Manager or designee may, upon 24 hours written notice, proceed to repair, rebuild, or otherwise restore such property as may be deemed necessary, and the cost thereof will be deducted from any moneys due or which may become due the CONTRACTOR under this Contract. If removal, repair or replacement of public or private property is made necessary by alteration of grade or alignment authorized by the City Manager or designee and not contemplated by the Contract Documents, the CONTRACTOR will be compensated, in accordance with the General Conditions, provided that such property has not been damaged through fault of the CONTRACTOR or the CONTRACTOR's employees.

B. Public Utility Installations and Structures:

1. Public utility installations and structures include all poles, tracks, pipes, wires, conduits, vaults, valves, hydrants, manholes, and other appurtenances and facilities, whether owned or controlled by public bodies or privately owned individuals, firms or corporations, used to serve the public with transportation, gas, electricity, telephone, storm and sanitary sewers, water, or other public or private utility services. Facilities appurtenant to public or private property that may be affected by the Work are deemed included hereunder.
2. The Contract Documents contain data relative to existing public utility installations and structures above and below the ground surface. Existing public utility installations and structures are indicated on the Drawings only to the extent such information was made available to, or found by, the ENGINEER in preparing the Drawings. These data are not guaranteed for completeness or accuracy, and the CONTRACTOR is responsible for making necessary investigations to become fully informed as to the character, condition, and extent of all public utility installations and structures that may be encountered and that may affect the construction operations.
3. Before starting construction, identify and mark all existing valves and maintain access to the valves at all times during construction.
4. Contact utility locating service sufficiently in advance of the start of construction to avoid damage to the utilities and delays to the completion date. See Section 01045, 1.3.F for additional information.
5. If existing utilities are damaged during the Work, immediately notify the owner of the affected utility. In coordination with or as directed by the owner, remove, replace, relocate, repair, rebuild, and secure any public utility installations and structures damaged as a direct or indirect result of the Work under this Contract. Costs for such work are incidental to the Contract. Be responsible and liable for any consequential damages done to or suffered by any public utility installations or structures. Assume and accept responsibility for any injury, damage, or loss that may result from or be consequent to interference with, or interruption or discontinuance of, any public utility service. See Section 01045, 1.3.F for additional information.
6. At all times in the performance of Work, employ proven methods and exercise reasonable care and skill to avoid unnecessary delay, injury, damage, or destruction to public utility installations and structures. Avoid unnecessary interference with, or interruption of, public utility services. Cooperate fully with the owners thereof to that end.
7. Provide notice to the City Manager or designee of any proposed connections to existing utilities, interruptions of service or shutdowns in accordance with Section 01045. Give written notice to the owners of all public utility installations and structures affected by proposed construction operations

sufficiently in advance of breaking ground in any area or on any unit of the Work, to obtain their permission before disrupting the lines and to allow them to take measures necessary to protect their interests. Advise the Stormwater, Streets and Traffic Department and Police and Emergency Services Department of any excavation in public streets or the temporary shut-off of any water main. Provide at least 24 hours notice to all affected property owners whenever service connections are taken out of service.

- C. Work on Private Property: Work on this project will require operations on private property, rights of way or easements. The City Manager or designee has secured the appropriate easements or rights of entry from the affected property owners. Comply with all easement or rights of entry provisions. Conduct operations along rights-of-way and easements through private property to avoid damage to the property and to minimize interference with its ordinary use. Upon completion of the Work through such property, restore the surface and all fences or other structures disturbed by the construction as nearly as possible to the preconstruction conditions. Do not remove any material from private property without the consent of the property owner or responsible party in charge of such property. Hold the CITY harmless from any claim or damage arising out of or in connection with the performance of work across and through private property.
- D. Miscellaneous Structures: Assume and accept responsibility for all injuries or damage to culverts, building foundations and walls, retaining walls, or other structures of any kind met with during the prosecution of the Work. Assume and accept liability for damages to public or private property resulting therefrom. Adequately protect against freezing all pipes carrying liquid.
- E. Protection of Trees and Lawn Areas:
 - 1. Protect with boxes, trees and shrubs, except those ordered to be removed. Do not place excavated material so as to cause injury to such trees or shrubs. Replace trees or shrubs destroyed by accident or negligence of the CONTRACTOR or CONTRACTOR's employees with new stock of similar size and age, at the proper season, at no additional cost to the CITY. If required by Contract Documents, provide preconstruction audio-video recording of project in accordance with the Technical Specifications.
 - 2. Leave lawn areas in as good condition as before the start of the Work. Restore areas where sod has been removed by seeding or sodding.

1.9 TEMPORARY CONTROLS

- A. During Construction:
 - 1. Keep the site of the Work and adjacent premises free from construction materials, debris, and rubbish. Remove this material from any portion of the site if such material, debris, or rubbish constitutes a nuisance or is objectionable.

2. Remove from the site all surplus materials and temporary structures when they are no longer needed.
3. Neatly stack construction materials such as concrete forms and scaffolding when not in use. Store pipe to be incorporated into the Work in accordance with AWWA standards. Promptly remove splattered concrete, asphalt, oil, paint, corrosive liquids, and cleaning solutions from surfaces to prevent marring or other damage.
4. Properly store volatile wastes in covered metal containers and remove from the site daily.
5. Do not bury or burn on the site or dispose of into storm drains, sanitary sewers, streams, or waterways, any waste material. Remove all wastes from the site and dispose of in a manner complying with applicable ordinances and laws.

B. Smoke Prevention:

1. Strictly observe all air pollution control regulations.
2. Open fires will be allowed only if permitted under current ordinances.

C. Noises:

1. In accordance with the CITY's or COUNTY's Noise Ordinance, maintain acceptable noise levels in the vicinity of the Work. Limit noise production to acceptable levels by using special mufflers, barriers, enclosures, equipment positioning, and other approved methods.
2. Supply written notification to the City Manager or designee sufficiently in advance of the start of any work that violates this provision. Proceed only when all applicable authorizations and variances have been obtained in writing.

D. Hours of Operation:

1. Operation of construction equipment is only permitted Monday through Saturday, 7:00 AM to 7:00 PM. Obtain written consent from the City Manager or designee for operation of construction equipment during any other period.
2. Do not carry out non-emergency work, including equipment moves, on Sundays without prior written authorization by the City Manager or designee.

E. Dust Control:

1. Take measures to prevent unnecessary dust. Keep earth surfaces exposed to dusting moist with water or a chemical dust suppressant. Cover materials in piles or while in transit to prevent blowing or spreading dust.
2. Adequately protect buildings or operating facilities that may be affected adversely by dust. Protect machinery, motors, instrument panels, or similar equipment by suitable dust screens. Include proper ventilation with dust screens.

F. Temporary Drainage Provisions:

1. Provide for the drainage of stormwater and any water applied or discharged on the site in performance of the Work. Provide adequate drainage facilities to prevent damage to the Work, the site, and adjacent property.
2. Supplement existing drainage channels and conduits as necessary to carry all increased runoff from construction operations. Construct dikes as necessary to divert increased runoff from entering adjacent property (except in natural channels), to protect the CITY's facilities and the Work, and to direct water to drainage channels or conduits. Provide ponding as necessary to prevent downstream flooding.
3. Maintain excavations free of water. Provide, operate, and maintain pumping equipment. Dewater trenches in accordance with Sections 02350 and 02650.

- G. Pollution: Prevent the pollution of drains and watercourses by sanitary wastes, sediment, debris, and other substances resulting from construction activities. Do not permit sanitary wastes to enter any drain or watercourse other than sanitary sewers. Do not permit sediment, debris, or other substances to enter sanitary sewers. Take reasonable measures to prevent such materials from entering any drain or watercourse.

1.10 TRAFFIC REGULATION

- A. Parking: Provide and maintain suitable parking areas for the use of all construction workers and others performing work or furnishing services in connection with the Contract, to avoid any need for parking personal vehicles where they may interfere with public traffic or construction activities.
- B. Access: Conduct Work to interfere as little as possible with public travel, whether vehicular or pedestrian. Provide and maintain suitable and safe bridges, detours, or other temporary expedients for the accommodation of public and private travel. Whenever it is necessary to cross, obstruct, or close roads, driveways, and walks, whether public or private, give reasonable notice to owners of private drives before interfering with them. Such maintenance of traffic will not be required when the CONTRACTOR has obtained permission from the owner or tenant of private property, or from the authority having jurisdiction over the public property involved,

to obstruct traffic at the designated point. The Contractor may be allowed to restrict traffic for short periods of time provided that he first contacts the City Stormwater, Streets and Traffic Department, County, and/or Florida DOT for their restrictions and also provided that adequate traffic control devices are placed in accordance with applicable City, County, and/or State Ordinances.

PART 2 PRODUCTS

Not Used

PART 3 EXECUTION

Not Used

END OF SECTION

SECTION 01510

PRE-CONSTRUCTION AUDIO-VIDEO RECORDING

PART 1 GENERAL

1.1 DESCRIPTION OF WORK

- A. The work specified in this section includes the requirements for pre-construction audio-video recordings necessary to document existing conditions on public and private property.

PART 2 PRODUCTS

2.1 CONTRACTOR REQUIREMENTS

- A. The Contractor shall provide color videos showing pre-construction site conditions of all public and private property within the scope of construction. The videos shall be DVD format indicating on the beginning and front of each disk, the date, job title and location where the video was taken. The videos shall be clear and shall thoroughly document all existing structures and landscaping. The construction recording shall be taken by a responsible commercial firm known to be skilled and regularly engaged in the business of pre-construction color audio-video documentation. The audio portion of the recording shall begin with a complete description of the beginning point of the construction scene, i.e. job name, street, direction of travel, direction of view. The video portion shall continuously show the time (hour, minute, and second) and date. All recording shall be done during daylight hours with sufficient sunlight to properly illuminate the surrounding area. Recording shall not be done during inclement weather conditions. Recording on heavily traveled streets or roads may require the use of police escort at the option of the Engineer. If police escort is required, all costs shall be borne by the Contractor.
- B. Two copies of the disks (including the original) shall be delivered to the City Manager or designee for review. The construction recording shall be made no more than 30 calendar days prior to construction start date.

PART 3 EXECUTION

3.1 INSPECTION

- A. Construction on private property shall not commence until the City Manager or designee has reviewed and approved the audio-video recording.

3.2 PERFORMANCE

- A. The Contractor may be required to restore private properties to conditions better than existing, at no additional cost to the City, if the Contractor fails to sufficiently document existing conditions.

3.3 AREA OF COVERAGE

- A. Tape coverage shall include all surface features located within the zone of influence of construction supported by appropriate audio coverage. Such coverage shall include, but not be limited to, existing driveways, sidewalks, curbs, pavements, ditches, mailboxes, landscaping, culverts, fences, signs and headwalls within the area covered.

END OF SECTION

SECTION 01570

TRAFFIC REGULATION AND PUBLIC SAFETY

PART 1 GENERAL

1.1 SECTION INCLUDES:

- A. General Requirements
- B. Traffic Control
- C. Public Safety

1.2 RELATED SECTIONS

- A. Section 01500 – Construction Facilities and Temporary Controls
- B. Section 02230 – Roadway Crossings by Open Cut
- C. Section 02575 – Pavement Repair and Restoration

1.3 GENERAL REQUIREMENTS

- A. Perform all work within CITY rights-of-way in strict accordance with the City's Maintenance of Traffic Policy and other applicable statutory requirements to protect the public safety. The Maintenance of Traffic Plan shall include but not be limited to: placement of signs, timing of phases, transition lengths, hours of traffic interference, and contact person (24 hour availability).
- B. Be responsible for providing safe and expeditious movement of traffic through construction zones. A construction zone is defined as the immediate areas of actual construction and all abutting areas which are used by the CONTRACTOR and which interfere with the driving or walking public.
- C. Remove temporary equipment and facilities when no longer required. Restore grounds to original or specified conditions.
- D. The requirements specified herein are in addition to the plan for Maintenance of Traffic as specified in Section 02230.

1.4 TRAFFIC CONTROL

- A. Include as necessary precautions, not to be limited to, such items as proper construction warning signs, signals, lighting devices, marking, barricades, channelization, flares, and hand signaling devices. Be responsible for installation and maintenance of all devices and requirements for the duration of the Construction period. All design, application, installation, maintenance and

removal of all traffic control devices and all warning devices and barriers which are necessary to protect the public and workmen from hazards within the project limits shall be as specified in the State of Florida, Manual of Traffic and Highway Construction, Maintenance and Utility Operations. The standards established in the aforementioned Manual constitute the minimum requirements for normal conditions. Additional traffic control devices, warning devices, barriers, or other safety devices shall be required where unusual, complex, or particularly hazardous conditions exist.

- B. Provide notice, at least five (5) working days prior to construction, to the State or City Stormwater, Streets and Traffic Department of the necessity to close any portion of a roadway carrying vehicles or pedestrians so that the final approval of such closings can be obtained at least 48 hours in advance. At no time will more than one (1) lane of roadway be closed to vehicles and pedestrians. With any such closings make adequate provision for the safe expeditious movement of each.
- C. Be responsible for notifying the Stormwater, Streets and Traffic Department, and Police, Fire, and other Emergency Departments at least 48 hours prior to construction whenever construction is within roadways and of the alternate routes.
- D. Be responsible for removal, relocation, or replacement of any traffic control device in the construction area that exists as part of the normal pre-construction traffic control scheme.
- E. Immediately notify the City Manager or designee of any vehicular or pedestrian safety or efficiency problems incurred as a result of the construction of the project.
- F. Be responsible for notifying all residents of any road construction and limited access at least 72 hours in advance.

1.5 PUBLIC SAFETY (DURING CONSTRUCTION, ALTERATION OR REPAIR)

- A. In areas of high vehicular traffic, provide a safe walkway around the work area.
- B. Use barricades or other barriers to prevent any possibility of injury to the public caused by the CONTRACTOR's work.
- C. Keep walk areas around the work areas clean of sand, stones, and any other material that could cause a pedestrian accident.
- D. Barricade work areas left overnight. Install flashing warning lights in areas required by the CITY.
- E. Unless an approved detour is provided at any open cut crossings, a minimum of one-way traffic will be maintained during the daylight hours and two-way traffic at night. All traffic detours will be restricted to limits of the Right-of-Way with necessary flagmen and/or marking devices. These detours shall be approved by the CITY. Detour of traffic outside of the Right-of-Way will be

considered with the approval of local governmental agencies and private concerns involved.

- F. Crossing and Intersections: Do not isolate residences and places of business. Provide access to all residences and places of business whenever construction interferes with existing means of access. Maintain access at all times. If pavement is disturbed, a cold mix must be applied at the end of the day.
- G. Detours
 - 1. Construct and maintain detour facilities wherever it becomes necessary to divert traffic from any existing roadway or bridge, or wherever construction operations block the flow of traffic. The location of all detours will require prior approval of the CITY.
 - 2. Furnishing of Devices and Barriers: Furnish all traffic control devices (including signs), warning devices and barriers. Costs of such devices shall be incidental to construction and included in unit prices bid.
 - 3. Maintenance of Devices and Barriers: Keep traffic control devices, warning devices and barriers in the correct position, properly directed, clearly visible and clean, at all times. Immediately repair replace or clean damaged, defaced or dirty devices or barriers as necessary.
- H. Flagmen: Provide certified flagmen (flaggers) to direct traffic where one-way operation in a single lane is in effect, and in other situations as may be required. Radios may be required if flagmen cannot maintain contact with each other.
- I. Utilize all necessary signs, flagmen, and other safety devices during construction.
- J. Perform all work with the requirements set forth by the Occupational Safety Health Administration.

PART 2 PRODUCTS
NOT USED.

PART 3 EXECUTION
NOT USED.

END OF SECTION

SECTION 01600
MATERIAL AND EQUIPMENT

PART 1 GENERAL

1.1 SECTION INCLUDES

- A. Description
- B. Substitutions
- C. Manufacturer's Written Instructions
- D. Transportation and Handling
- E. Storage, Protection and Maintenance
- F. Manufacturer's Field Quality Control Services
- G. Post Startup Services
- H. Special Tools and Lubricating Equipment
- I. Lubrication

1.2 DESCRIPTION

- A. Proposed Manufacturers List: Within 15 calendar days of the date of the Notice to Proceed, submit to the ENGINEER a list of the names of proposed manufacturers, material men, suppliers and subcontractors, obtain approval of this list by the City Manager or designee prior to submission of any working drawings. Upon request submit evidence to ENGINEER that each proposed manufacturer has manufactured a similar product to the one specified and that it has previously been used for a like purpose for a sufficient length of time to demonstrate its satisfactory performance.
- B. All material and equipment designed or used in connection with a potable (drinking) water system shall conform to the requirements of the National Sanitation Foundation (NSF) Standard 61, "Drinking Water System Components – Health Effects."
- C. Furnish and install Material and Equipment which meets the following:
 - 1. Conforms to applicable specifications and standards.
 - 2. Complies with size, make, type, and quality specified or as specifically approved, in writing, by ENGINEER.

3. Will fit into the space provided with sufficient room for operation and maintenance access and for properly connecting piping, ducts and services, as applicable. Make the clear spaces that will be available for operation and maintenance access and connections equal to or greater than those shown and meeting all the manufacturers' requirements. If adequate space is not available, the CONTRACTOR shall advise the ENGINEER for resolution.
4. Manufactured and fabricated in accordance with the following:
 - a. Design, fabricate, and assemble in accordance with best engineering and shop practices.
 - b. Manufacture like parts of duplicate units to standard sizes and gauges, to be interchangeable.
 - c. Provide two or more items of same kind identical, by same manufacturer.
 - d. Provide materials and equipment suitable for service conditions.
 - e. Adhere to equipment capabilities, sizes, and dimensions shown or specified unless variations are specifically approved, in writing, in accordance with the Contract Documents.
 - f. Adapt equipment to best economy in power consumption and maintenance. Proportion parts and components for stresses that may occur during continuous or intermittent operation, and for any additional stresses that may occur during fabrication or installation.
 - g. Working parts are readily accessible for inspection and repair, easily duplicated and replaced.
5. Use material or equipment only for the purpose for which it is designed or specified.

1.3 SUBSTITUTIONS

A. Substitutions:

1. Make any CONTRACTOR's requests for changes in equipment and materials from those required by the Contract Documents in writing, for approval by the Engineer of Record. Such requests are considered requests for substitutions and are subject to CONTRACTOR's representations and review provisions of the Contract Documents when one of following conditions are satisfied:
 - a. Where request is directly related to a "Engineer of Record approved equal" or "City approved equal" clause or other language of same effect in Specifications.

- b. Where required equipment or material cannot be provided within Contract Time, but not as result of CONTRACTOR's failure to pursue Work promptly or to coordinate various activities properly.
 - c. Where required equipment or material cannot be provided in manner compatible with other materials of Work, or cannot be properly coordinated therewith.
2. CONTRACTOR'S Options:
- a. Where more than one choice is available as options for CONTRACTOR's selection of equipment or material, select option compatible with other equipment and materials already selected (which may have been from among options for other equipment and materials).
 - b. Where compliance with specified standard, code or regulation is required, select from among products that comply with requirements of those standards, codes, and regulations.
 - c. Or City approved Equal: For equipment or materials specified by naming one or more equipment manufacturer(s) as "or City approved equal", submit request for substitution for any equipment or manufacturer not specifically named to the Engineer of Record.
- B. Conditions Which are Not Substitution:
- 1. Requirements for substitutions do not apply to CONTRACTOR options on materials and equipment provided for in the Specifications.
 - 2. Revisions to Contract Documents, where requested by the City Manager or designee or ENGINEER, are "changes" not "substitutions".
 - 3. CONTRACTOR's determination of and compliance with governing regulations and orders issued by governing authorities do not constitute substitutions and do not constitute basis for a Change Order, except as provided for in Contract Documents.

1.4 MANUFACTURER'S WRITTEN INSTRUCTIONS

- A. Instruction Distribution: When the Contract Documents require that installation, storage, maintenance and handling of equipment and materials comply with manufacturer's written instructions, obtain and distribute printed copies of such instructions to parties involved in installation, including six copies to ENGINEER.
- 1. Maintain one set of complete instructions at jobsite during storage and installation, and until completion of work.

- B. Manufacturer's Requirements: Store, maintain, handle, install, connect, clean, condition, and adjust products in accordance with manufacturer's written instructions and in conformity with Specifications.
 - 1. Should job conditions or specified requirements conflict with manufacturer's instructions, consult ENGINEER for further instructions.
 - 2. Do not proceed with work without written instructions.
- C. Performance Procedures: Perform work in accordance with manufacturer's written instructions. Do not omit preparatory steps or installation procedures, unless specifically modified or exempted by Contract Documents.

1.5 TRANSPORTATION AND HANDLING

- A. Coordination with Schedule: Arrange deliveries of materials and equipment in accordance with Construction Progress Schedules. Coordinate to avoid conflict with work and conditions at site.
 - 1. Deliver materials and equipment in undamaged condition, in manufacturer's original containers or packaging, with identifying labels intact and legible. Keep product free of dirt and debris.
 - 2. Protect bright machined surfaces, such as shafts and valve faces, with a heavy coat of grease prior to shipment.
 - 3. Immediately upon delivery, inspect shipments to determine compliance with requirements of Contract Documents and approved submittals and that material and equipment are protected and undamaged.
- B. Handling: Provide equipment and personnel to handle material and equipment by methods recommended by manufacturer to prevent soiling or damage to materials and equipment or packaging.

1.6 STORAGE, PROTECTION, AND MAINTENANCE

- A. On-site storage areas and buildings:
 - 1. Conform storage buildings to requirements of Section 01500.
 - 2. Coordinate location of storage areas with ENGINEER and the CITY.
 - 3. Arrange on site storage areas for proper protection and segregation of stored materials and equipment with proper drainage. Provide for safe travel around storage areas and safe access to stored materials and equipment.
 - 4. Store loose granular materials in a well-drained area on solid surfaces to prevent mixing with foreign matter.

5. Store materials such as pipe, reinforcing and structural steel, and equipment on pallets, blocks or racks, off ground.
 6. PVC Pipe may be damaged by prolonged exposure to direct sunlight, take necessary precautions during storage and installation to avoid this damage. Store pipe under cover, and install with sufficient backfill to shield it from the sun.
 7. Store fabricated materials and equipment above ground, on blocking or skids, to prevent soiling or staining. Cover materials and equipment that are subject to deterioration with impervious sheet coverings; provide adequate ventilation to avoid condensation.
- B. Interior Storage:
1. Store materials and equipment in accordance with manufacturer's instructions, with seals and labels intact and legible.
 2. Store materials and equipment, subject to damage by elements, in weathertight enclosures.
 3. Maintain temperature and humidity within ranges required by manufacturer's instructions.
- C. Accessible Storage: Arrange storage in a manner to provide easy access for inspection and inventory. Make periodic inspections of stored materials or equipment to assure that materials or equipment are maintained under specified conditions and free from damage or deterioration.
1. Perform maintenance on stored materials of equipment in accordance with manufacturer's instructions, in presence of the City Manager or designee or ENGINEER.
 2. Submit a report of completed maintenance to ENGINEER with each Application for Payment.
 3. Failure to perform maintenance, to notify ENGINEER of intent to perform maintenance or to submit maintenance report may result in rejection of material or equipment.
- D. CITY's Responsibility: The CITY assumes no responsibility for materials or equipment stored in buildings or on-site. CONTRACTOR assumes full responsibility for damage due to storage of materials or equipment.
- E. CONTRACTOR's Responsibility: For CITY Capital Improvement Projects, the CONTRACTOR assumes full responsibility for protection of completed construction until facilities (or portions of facilities) are accepted for operation and placed in service. Repair and restore damage to completed Work equal to its original condition.

- F. Special Equipment: Use only rubber tired wheelbarrows, buggies, trucks, or dollies to wheel loads over finished floors, regardless if the floor has been protected or not. This applies to finished floors and to exposed concrete floors as well as those covered with composition tile or other applied surfacing.
- G. Surface Damage: Where structural concrete is also the finished surface, take care to avoid marking or damaging surface.

1.7 MANUFACTURER'S FIELD QUALITY CONTROL SERVICES

A. General:

- 1. Provide manufacturer's field services in accordance with this subsection for those tasks specified in other sections.
- 2. Include and pay all costs for suppliers' and manufacturers' services, including, but not limited to, those specified.

B. Installation Instruction: Provide instruction by competent and experienced technical representatives of equipment manufacturers or system suppliers as necessary to resolve assembly or installation procedures that are attributable to, or associated with, the equipment furnished.

C. Installation Inspection, Adjustments and Startup Participation:

- 1. Provide competent and experienced technical representatives of equipment manufacturers or system suppliers to inspect the completed installation as follows.
 - a. Verify that each piece of equipment or system has been checked for proper lubrication, drive rotation, belt tension, control sequence, or for other conditions that may cause damage.
 - b. Verify that tests, meter readings, and specified electrical characteristics agree with those required by the equipment or system manufacturer.
 - c. Verify that wiring and support components for equipment are complete.
 - d. Verify that equipment or system is installed in accordance with the manufacturer's recommendations, approved shop drawings and the Contract Documents.
 - e. Verify that nothing in the installation voids any warranty.
- 2. Provide manufacturer's representatives to perform initial equipment and system adjustment and calibration conforming to the manufacturer's

recommendations and instructions, approved shop drawings and the Contract Documents.

3. Start-up of Equipment: Provide prior written notice of proposed start-up to the City Manager or designee and ENGINEER. Obtain ENGINEER's approval before start-up of equipment. CITY's departmental representative must be on-site during start-up. Execute start-up under supervision of applicable manufacturer's representative in accordance with manufacturers' instructions.
4. Furnish ENGINEER with three copies of the following. When training is specified, furnish the copies at least 48 hours prior to training.
 - a. "Certificate of Installation, Inspection and Start-up Services" by manufacturers' representatives for each piece of equipment and each system specified, certifying:
 - (1) That equipment is installed in accordance with the manufacturers' recommendations, approved shop drawings and the Contract Documents.
 - (2) That nothing in the installation voids any warranty.
 - (3) That equipment has been operated in the presence of the manufacturer's representative.
 - (4) That equipment, as installed, is ready to be operated by others.
 - b. Detailed report by manufacturers' representatives, for review by ENGINEER of the installation, inspection and start-up services performed, including:
 - (1) Description of calibration and adjustments if made; if not in Operation and Maintenance Manuals, attach copy.
 - (2) Description of any parts replaced and why replaced.
 - (3) Type, brand name, and quantity of lubrication used, if any.
 - (4) General condition of equipment.
 - (5) Description of problems encountered, and corrective action taken.
 - (6) Any special instructions left with CONTRACTOR or ENGINEER.
- D. Field Test Participation: Provide competent and experienced technical representatives of all equipment manufacturers and system suppliers as

necessary to participate in field testing of the equipment specified in Section 01400.

- E. Trouble-Free Operation: Provide competent and experienced technical representatives of all equipment manufacturers and system suppliers as necessary to place the equipment in trouble-free operation after completion of start-up and field tests.

1.8 SPECIAL TOOLS AND LUBRICATING EQUIPMENT

- A. General: Furnish, per manufacturer's recommendations, special tools required for checking, testing, parts replacement, and maintenance. (Special tools are those which have been specially designed or adapted for use on parts of the equipment, and which are not customarily and routinely carried by maintenance mechanics.)
- B. Time of Delivery: Deliver special tools and lubricating equipment to the CITY when unit is placed into operation and after operating personnel have been properly instructed in operation, repair, and maintenance of equipment.
- C. Quality: Provide tools and lubricating equipment of a quality meeting equipment manufacturer's requirements.

1.9 LUBRICATION

- A. General: Where lubrication is required for proper operation of equipment, incorporate in the equipment the necessary and proper provisions in accordance with manufacturer's requirements. Where possible, make lubrication automated and positive.
- B. Oil Reservoirs: Where oil is used, supply reservoir of sufficient capacity to lubricate unit for a 24-hour period.

1.10 WARRANTY

- A. Provide copies of any warranties of materials or equipment to the City Manager or designee with documentation showing compliance with warranty requirements.

PART 2 PRODUCTS

Not Used

PART 3 EXECUTION

Not Used

CERTIFICATE OF INSTALLATION, INSPECTION AND START-UP SERVICES

Project _____

Equipment _____

Specification Section _____

Contract _____

I hereby certify that the named equipment has been inspected, adjusted and operated by the Manufacturers' Representative and further certify:

1. That the equipment is installed in accordance with the manufacturer's recommendations, approved shop drawings and the Contract Documents.
2. That nothing in the installation voids any warranty.
3. That equipment has been operated in the presence of the manufacturer's representative.
4. That equipment, as installed, is ready to be operated by others.

MANUFACTURERS' REPRESENTATIVE

Signature _____ Date _____

Name (print) _____

Title _____

Representing _____

CONTRACTOR

Signature _____ Date _____

Name (print) _____

Title _____

Attach the detailed report called for by Specification Section 01600.

Complete and submit three copies of this form with the detailed report to ENGINEER as specified.

CERTIFICATE OF POST START-UP SERVICES

Project _____

Equipment _____

Specification Section _____

Contract _____

I hereby certify the Manufacturers' Representative has inspected this equipment, made adjustments and calibrations, and that it is operating in conformance with the design, specifications, and manufacturer's requirements. Detailed notation of improper operation with corresponding recommendations, if any, are made and attached to this form.

MANUFACTURERS' REPRESENTATIVE

Signature _____ Date _____

Name (print) _____

Title _____

Representing _____

CONTRACTOR

Signature _____ Date _____

Name (print) _____

Title _____

ENGINEER

Signature _____ Date _____

Name (print) _____

Title _____

Complete and submit three copies of this form to the City Manager or designee upon completion of 6 to 11 months reinspection as required by Specification Section 01600.

END OF SECTION

SECTION 01710

CLEANING

PART 1 GENERAL

1.1 SECTION INCLUDES:

- A. General Requirements
- B. Disposal Requirements

1.2 GENERAL REQUIREMENTS

- A. Execute cleaning during progress of the work and at completion of the work.

1.3 DISPOSAL REQUIREMENTS

- A. Conduct cleaning and disposal operations to comply with codes, ordinances, regulations, and anti-pollution laws.

PART 2 PRODUCTS

NOT USED

PART 3 EXECUTION

3.1 DURING CONSTRUCTION

- A. Execute daily cleaning to keep the work, the site, and adjacent properties free from accumulations of waste materials, rubbish, and windblown debris, resulting from construction operations.
- B. Provide onsite containers for the collection of waste materials, debris and rubbish. All waste materials including containers, food debris and other miscellaneous materials must be disposed of daily in onsite containers.
- C. Remove waste materials, debris and rubbish from the site periodically and dispose of at legal disposal areas away from the site.

3.2 FINAL CLEANING

- A. Requirements: At the completion of work and immediately prior to final inspection, clean the entire project as follows:
 - 1. Thoroughly clean, sweep, wash, and polish all work and equipment provided under the Contract, including finishes. Leave the structures and site in a complete and finished condition to the satisfaction of the ENGINEER.
 - 2. Direct all subcontractors to similarly perform, at the same time, an equivalent thorough cleaning of all work and equipment provided under their contracts.
 - 3. Remove all temporary structures and all debris, including dirt, sand, gravel, rubbish and waste material.
 - 4. Should the CONTRACTOR not remove rubbish or debris or not clean the buildings and site as specified above, the OWNER reserves the right to have the cleaning done at the expense of the CONTRACTOR.
- B. Employ experienced workers, or professional cleaners, for final cleaning.
- C. Use only cleaning materials recommended by manufacturer of surface to be cleaned.
- D. In preparation for substantial completion or occupancy, conduct final inspection of sight-exposed interior and exterior surfaces, and of concealed spaces.
- E. Remove grease, dust, dirt, stains, labels, fingerprints, and other foreign materials from sight-exposed interior and exterior finished surfaces. Polish surfaces so designated to shine finish.
- F. Repair, patch, and touch up marred surfaces to specified finish, to match adjacent surfaces.
- G. Replace air-handling filters if units were operated during construction.
- H. Clean ducts, blowers, and coils, if air-handling units were operated without filters during construction.
- I. Vacuum clean all interior spaces, including inside cabinets.
- J. Handle materials in a controlled manner with as few handlings as possible. Do not drop or throw materials from heights.
- K. Schedule cleaning operations so that dust and other contaminants resulting from cleaning process will not fall on wet, newly-painted surfaces.

- L. Clean interior of all panel cabinets, pull boxes, and other equipment enclosures.
- M. Wash and wipe clean all lighting fixtures, lamps, and other electrical equipment that may have become soiled during installation.
- N. Perform touch-up painting.
- O. Broom clean exterior paved surfaces; rake clean other surfaces of the grounds.
- P. Remove erection plant, tools, temporary structures and other materials.
- Q. Remove and dispose of all water, dirt, rubbish or any other foreign substances.

3.3 FINAL INSPECTION

- A. After cleaning is complete the final inspection may be scheduled. The inspection will be done with the OWNER and ENGINEER.

END OF SECTION

NO TEXT FOR THIS PAGE

SECTION 01730

OPERATION AND MAINTENANCE MANUALS

PART 1 GENERAL

1.1 SECTION INCLUDES

- A. Description
- B. Quality Assurance
- C. Format and Contents

1.2 DESCRIPTION

- A. Scope: Furnish to the ENGINEER three (3) printed copies and one (1) electronic copy of an Operation and Maintenance Manual for all equipment and associated control systems furnished and installed.

1.3 QUALITY ASSURANCE

- A. Reference Codes and Specifications: No current government or commercial specifications or documents apply.

1.4 FORMAT AND CONTENTS

- A. Prepare and arrange each copy of the manual as follows:
 - 1. One copy of an equipment data summary (see sample form) for each item of equipment.
 - 2. One copy of an equipment preventive maintenance data summary (see sample form) for each item of equipment.
 - 3. One copy of the manufacturer's operating and maintenance instructions specific to the model number furnished. Operating instructions include detailed assembly drawings including a list of all parts and materials with catalog number, and instructions for equipment start-up, normal operation, adjusting, overhauling, shutdown, emergency operation, troubleshooting. Maintenance instructions include equipment installation, calibration and adjustment, preventive and repair maintenance, lubrication schedule, lubricant types and grades, troubleshooting, parts list and recommended spare parts. Include Manufacturer's telephone numbers for Technical Support.
 - 4. List of electrical relay settings and control and alarm contact settings.

5. Electrical interconnection wiring diagram for equipment furnished including all control and lighting systems.
 6. One valve schedule giving valve number, location, fluid, and fluid destination for each valve installed. Group all valves in same piping systems together in the schedule. Obtain a sample of the valve numbering system from the ENGINEER.
 7. Furnish all O&M Manual material in bound 8-1/2 by 11 commercially printed or typed forms or an acceptable alternative format.
- B. Organize each manual into sections paralleling the equipment specifications. Identify each section using heavy section dividers with reinforced holes and numbered plastic index tabs. Use 3-ring, hard-back binders. Punch all loose data for binding. Arrange composition and printing so that punching does not obliterate any data. Print on the cover and binding edge of each manual the project title, and manual title, as furnished and approved by the ENGINEER.
- C. Leave all operating and maintenance material that comes bound by the equipment manufacturer in its original bound state. Cross-reference the appropriate sections of the CONTRACTOR's O&M manual to the manufacturers' bound manuals.
- D. Label binders Volume 1, 2, and so on, where more than one binder is required. Include the table of contents for the entire set, identified by volume number, in each binder.

PART 2 PRODUCTS

Not Used

PART 3 EXECUTION

Not Used

END OF SECTION

City Utilities

Equipment Data Summary

Equipment Name:		Specification Reference:	
Manufacturer:			
Name:			
Address:			
Telephone:			
Number Supplied:		Location/Service:	
Model No:		Serial No:	
Type:			
Size/Speed/Capacity/Range (as applicable):			
Power Requirement (Phase/Volts/Hertz):			
Local Representative:			
Name:			
Address:			
Telephone:			
NOTES:			

City Utilities

Preventive Maintenance Summary

Equipment Name:		Location:	
Manufacturer:			
Name:			
Address:			
Telephone:			
Model No:		Serial No:	
Maintenance Task	Lubricant/Part	D W M Q SA A	O&M Manual Reference
NOTES:			

*D-Daily W-Weekly M-Monthly Q-Quarterly SA-Semi-Annual A-Annual

SECTION 01750

PROJECT RECORD DOCUMENTS

PART 1 GENERAL

1.1 SECTION INCLUDES

Requirements for preparation, maintenance and submittal of project record documents. The Contractor's attention is specifically directed to Part 3.2.B. of this Section, which requires use of a Florida licensed surveyor to sign and seal all record drawings.

1.2 RELATED SECTIONS

- A. Section 01051 – Lines and Grades
- B. Section 01400 - Quality Control

1.3 SUBMITTALS

- A. General: Provide all submittals as specified. Final disbursement of project monies shall not occur until or unless said “record drawings” are submitted to the satisfaction of the City.
- B. At Contract close out, two (2) sets of signed and sealed Record Drawings for the potable water system, non-potable irrigation water system, and/or wastewater system to be conveyed shall be submitted to the City.
- C. Provide electronic submittal as specified in Part 3.2.B of this Section.

1.4 REQUIREMENTS

- A. Contractor shall maintain at the site for the City one record copy of:
 - 1. Drawings
 - 2. Specifications
 - 3. Addenda
 - 4. Change orders and other modifications to the Contract
 - 5. Design Engineer’s field orders or written instructions
 - 6. Approved shop drawings, working drawings and samples
 - 7. Field test records
- B. Additional Requirements for City Capital Projects Only
 - 1. GIS Turn-Over Documents (see City of Naples GIS and CAD Record Standards and Requirements)

PART 2 PRODUCTS (not used)

PART 3 EXECUTION

3.1 MAINTENANCE OF DOCUMENTS AND SAMPLES

- A. Project record documents shall be stored in Contractor's field office or other location approved by the City apart from documents used for construction.
- B. Maintain documents in a clean, dry, legible condition and in good order. Do not use record documents for construction purposes.
- C. Make documents and samples available at all times for inspection by the City.

3.2 RECORDING

A. General

- 1. Record Drawings shall accurately depict the constructed configuration of all potable water, non-potable irrigation water and/or wastewater systems or portion(s) thereof. All revisions to City staff approved construction drawings shall be precisely identified and illustrated on the Record Drawings. All Record Drawings of utility systems or portion(s) thereof that are not being conveyed to the Board shall bear, on the cover sheet, a prominently displayed DISCLAIMER, in bold lettering at least one-quarter (1/4) inch high, stating: "All on-site potable water, non-potable irrigation and/or wastewater systems shall be owned, operated and maintained by the private owner(s) and/or the master condominium/homeowners' association, successors or assigns" (or other comparable private ownership).
- 2. Label each document "PROJECT RECORD" or similar text in neat, large printed letters.
- 3. Survey information can be obtained as needed by the use of 2-inch PVC labeled pipes installed over underground improvements by the contractor during construction. This method is an adequate process for obtaining record information.
- 4. Record information in red ink.

B. Record Drawings

- 1. The Record Drawings require signed and sealed as-built information, including above and below ground improvements including underground piping, valves and ductbanks, by a Florida Licensed Land Surveyor.
- 2. The Record Drawings shall identify the entity that provided the record data.
- 3. Drawings shall be referenced to and tie-in with the state plane coordinate system, with a Florida East Projection, and a North American Datum 1983/1990 (NAD 83/90 datum), and with United States Survey Feet (USFEET) units, as established by a registered Florida surveyor and mapper.
- 4. Files shall be also submitted in Drawing File (DWG) format in AutoCAD Release 2004 or later version and a red-lined "field" hardcopy.

5. Record drawings shall be submitted to the City staff within 60 days of the final construction completion date.
6. The following items shall be accurately depicted in vertical and horizontal directions on the Record Drawings:
 - a) All associated rights-of-way and utility easements whether shown on the Contract Drawings, found during construction or added during the Work.
 - b) Sewer system inverts, pipe slopes, manhole rims and run lengths.
 - c) Sewer lateral locations stationed from the nearest downstream manhole.
 - d) Sewer main stub extension inverts at both ends, pipe slope, run length and location.
 - e) Tie-ins to all valves, air release assemblies, fire hydrants, manholes, blowoffs, etc.
 - f) Top elevations of treatment plant structures and tanks.
 - g) Manhole center for sanitary sewers and storm sewers as related to utility improvements.
 - h) Pipe changes in direction or slope.
 - i) Buried valves, tees and fittings.
 - j) Pipe invert, or centerline, elevations at crossing with other pipe.
 - k) Invert, or centerline, elevations and coordinates of existing exposed pipe at crossing with underground pipe installed under this project.
 - l) Other horizontal and vertical record data pertinent to completed Work.
7. Each pipe elevation shall be clearly identified as to whether it is top of pipe, centerline of pipe or invert of pipe.
8. Record Drawings shall indicate all deviations from Contract Drawings including:
 - a) Field changes.
 - b) Changes made by Change Order.
 - c) Details, utilities, piping or structures not on original Contract Drawings.
 - d) Equipment and piping relocations.

C. Specifications and Addenda

Legibly mark each Section to record:

2. Manufacturer, trade name, catalog number and supplier of each product and item of equipment actually installed.
3. Changes made by Field Order or Change Order.

D. Shop Drawings

1. Keep one copy of the final, approved shop drawing with the Record Documents.

2. Record documents should include all shop drawing information submitted. Additional information submitted during the review process should be filed with the appropriate submittal.

END OF SECTION

SECTION 02050

DEMOLITION

PART 1 GENERAL

1.1 SUMMARY

- A. Section Includes: All work necessary for the removal and disposal of structures, foundations, piping, equipment and roadways, or any part thereof including masonry, steel, reinforced concrete, plain concrete, electrical facilities, and any other material or equipment shown or specified to be removed.
- B. Basic Procedures and Schedule: Carry out demolition so that adjacent structures, which are to remain, are not endangered. Schedule the work so as not to interfere with the day-to-day operation of the existing facilities. Do not block doorways or passageways in existing facilities.
- C. Additional Requirements: Provide dust control and make provisions for safety.
- D. Related Work Specified in Other Sections Includes:
 - 1. Section 01045 – Connection to Existing Systems
 - 2. Section 02110 – Site Clearing

1.2 SUBMITTALS

- A. Provide all submittals, including the following, as specified in Division 1.
- B. Site Inspection: Visit the site and inspect all existing structures. Observe and record any defects that may exist in buildings or structures adjacent to but not directly affected by the demolition work. Provide the City Manager or designee with a copy of this inspection record and obtain the ENGINEER's and the City's Manager or designee approval prior to commencing the demolition.

1.3 QUALITY ASSURANCE

- A. Limits: Exercise care to break concrete well for removal in reasonably small masses. Where only parts of a structure are to be removed, cut the concrete along limiting lines with a suitable saw so that damage to the remaining structure is held to a minimum.

PART 2 PRODUCTS

Not Used

PART 3 EXECUTION

3.1 EXAMINATION OF EXISTING DRAWINGS

- A. Available drawings of existing structures and equipment will be available for inspection at the office of the ENGINEER.

3.2 PROTECTION

- A. General Safety: Provide warning signs, protective barriers, and warning lights as necessary adjacent to the work as approved or required. Maintain these items during the demolition period.
- B. Existing Services: Undertake no demolition work until all mechanical and electrical services affected by the work have been properly disconnected. Cap, reroute or reconnect interconnecting piping or electrical services that are to remain in service either permanently or temporarily in a manner that will not interfere with the operation of the remaining facilities.
- C. Hazards: Perform testing and air purging where the presence of hazardous chemicals, gases, flammable materials or other dangerous substances is apparent or suspected, and eliminate the hazard before demolition is started.

3.3 DEMOLITION REQUIREMENTS

- A. Explosives: The use of explosives will not be permitted.
- B. Protection: Carefully protect all mechanical and electrical equipment against dust and debris.
- C. Removal: Remove all debris from the structures during demolition and do not allow debris to accumulate in piles.
- D. Abandoned Pipelines: Fill all abandoned pipelines using grout in accordance with Section 03310.
- E. Access: Provide safe access to and egress from all working areas at all times with adequate protection from falling material.
- F. Protection: Provide adequate scaffolding, shoring, bracing railings, toe boards and protective covering during demolition to protect personnel and equipment against injury or damage. Cover floor openings not used for material drops with material substantial enough to support any loads placed on it. Properly secure the covers to prevent accidental movement.
- G. Lighting: Provide adequate lighting at all times during demolition.
- H. Closed Areas: Close areas below demolition work to anyone while removal is in progress.

- I. Material Drops: Do not drop any material to any point lying outside the exterior walls of the structure unless the area is effectively protected.
- J. Chemicals: All chemicals used during project construction or furnished for project operation, whether herbicide, pesticide, disinfectant, polymer, reactant or of other classification must show approval of either EPA or USDA. Use of all such chemicals and disposal of residues shall be in strict conformance with manufacturer's instructions or government regulations as applicable.

3.4 ASBESTOS-CONCRETE (AC) PIPE

- A. If existing asbestos-cement pipe is encountered during the course of construction, remove the AC pipe and replace it with C900 PVC pipe having a pressure rating as required elsewhere in these specifications. Replace the AC pipe with PVC pipe for a distance of 10 feet each way from the centerline of the pipe under construction or 5 feet beyond the length of AC pipe exposed by trench excavation, whichever is greater. A change order will be issued for required replacement of AC pipe not shown on the drawings.
- B. Coordinate the shutdown of the AC pipeline with the City Manager or designee in accordance with Section 01045, including proper notice to the City Manager or designee and any customers that may be affected by the shutdown as required by these specifications and/or current Water Department policy. In the event of an unanticipated encounter with AC pipe, immediately recover and protect the pipe and notify the CITY Water Department.
- C. Perform cutting of AC pipe by means of cutting wheels mounted in a chain wrapped around the pipe barrel. Do not use power driven saws with abrasive discs or any other means that produce concentrations of airborne asbestos dust.

3.5 DISPOSAL OF MATERIALS

- A. Final Removal: Dispose of AC pipe in accordance with CITY special handling requirements and coordination with City Solid Waste Management Department. Remove all other debris, rubbish, scrap pieces, equipment, and materials resulting from the demolition. Take title to all demolished materials and remove such items from the site.

END OF SECTION

NO TEXT FOR THIS PAGE

SECTION 02110

SITE CLEARING

PART 1 GENERAL

1.1 SUMMARY

- A. Section Includes: Requirements for clearing of all areas within the Contract limits and other areas shown, including work designated in permits and other agreements, in accordance with the requirements of Division 1.
- B. Related Work Specified in Other Sections Includes:
 - 1. Section 02050 – Demolition
 - 2. Section 02222 - Excavation - Earth and Rock
 - 3. Section 02223 – Backfilling
 - 4. Section 02400 – Restoration by Sodding or Seeding

1.2 DEFINITIONS

- A. Clearing: Clearing is the removal from the ground surface and disposal, within the designated areas, of trees, brush, shrubs, down timber, decayed wood, other vegetation, rubbish and debris as well as the removal of fences.
- B. Grubbing: Grubbing is the removal and disposal of all stumps, buried logs, roots larger than 1-1/2 inches, matted roots and organic materials.

PART 2 PRODUCTS

Not Used

PART 3 EXECUTION

3.1 PROTECTION OF EXISTING UTILITIES

- A. Prior to site clearing, locate and mark all existing utilities in coordination with the CITY and other affected owners. Protect all existing utilities and markings from damage. In case of damage to existing utilities caused by construction activities, contact the owner of the utility or appropriate CITY department (Water or Wastewater) immediately. Repair any damage to existing utilities or markings caused by construction activities in coordination with or as directed by the owner of the utility.

3.2 TREE REMOVAL

- A. Tree Removal Within Right-of-Way Limits: Remove trees and shrubs within the right-of-way unless otherwise indicated.
 - 1. Remove trees and shrubs to avoid damage to trees and shrubs designated to remain.
 - 2. Grub and remove tree stumps and shrubs felled within the right-of-way to an authorized disposal site. Fill depressions created by such removal with material suitable for backfill as specified in Section 02223.
- B. Tree Removal Outside Right-of-Way Limits: Do not cut or damage trees outside the right-of-way unless plans show trees to be removed or unless written permission has been obtained from the property owner. Furnish three copies of the written permission before removal operations commence.
- C. If the landowner desires the timber or small trees, cut and neatly pile it in 4 ft. lengths for removal by the owner; otherwise, dispose of it by hauling it away from the project site. If hauled timber is of merchantable quality, credit shall accrue to the CONTRACTOR.

3.3 TREES AND SHRUBS TO BE SAVED

- A. Protection: Protect trees and shrubs within the work limits that are so delineated or are marked in the field to be saved from defacement, injury and destruction.
 - 1. Work within the limits of the tree drip line with extreme care using either hand tools or equipment that will not cause damage to trees.
 - a. Do not disturb or cut roots unnecessarily. Do not cut roots 1-1/2 inches and larger unless approved.
 - b. Immediately backfill around tree roots after completion of construction in the vicinity of trees.
 - c. Do not operate any wheeled or tracked equipment within drip line.
 - 2. Protect vegetation from damage caused by emissions from engine-powered equipment.
 - 3. During working operations, protect the trunk, foliage and root system of all trees to be saved with boards or other guards placed as shown and as required to prevent damage, injury and defacement.
 - a. Do not pile excavated materials within the drip line or adjacent to the trunk of trees.
 - b. Do not allow runoff to accumulate around trunk of trees.

- c. Do not fasten or attach ropes, cables, or guy wires to trees without permission. When such permission is granted, protect the tree before making fastening or attachments by providing burlap wrapping and softwood cleats.
 - d. The use of axes or climbing spurs for trimming will not be permitted.
 - e. Provide climbing ropes during trimming.
4. Remove shrubs to be saved, taking a sufficient earth ball with the roots to maintain the shrub.
- a. Temporarily replant if required, and replace at the completion of construction in a condition equaling that which existed prior to removal.
 - b. Replace in kind if the transplant fails.
5. Have any tree and shrub repair performed by a tree surgeon properly licensed by the State of Florida and within 24 hours after damage occurred.

3.4 CLEARING AND GRUBBING

- A. Clearing: Clear all items specified to the limits shown and remove cleared and grubbed materials from the site.
- 1. Do not start earthwork operations in areas where clearing and grubbing is not complete, except that stumps and large roots may be removed concurrent with excavation.
 - 2. Comply with erosion, sediment control and storm management measures as specified in Division 1.
- B. Grubbing: Clear and grub areas to be excavated, areas receiving less than 3 feet of fill and areas upon which structures are to be constructed.
- 1. Remove stumps and root mats in these areas to a depth of not less than 18 inches below the subgrade of sloped surfaces.
 - 2. Fill all depressions made by the removal of stumps or roots with material suitable for backfill as specified in Section 02223.
- C. Limited Clearing: Clear areas receiving more than 3 feet of fill by cutting trees and shrubs as close as practical to the existing ground. Grubbing will not be required.
- D. Dispose of all material and debris from the clearing and grubbing operation by hauling such material and debris away to an approved dump. The cost of disposal (including hauling) of cleared and grubbed material and debris shall be considered

a subsidiary obligation of the CONTRACTOR; include the cost in the bid for the various classes of work.

3.5 TOPSOIL

- A. Stripping: Strip existing topsoil from areas that will be excavated or graded prior to commencement of excavating or grading and place in well-drained stockpiles in approved locations.

END OF SECTION

SECTION 02151

SHORING, SHEETING AND BRACING

PART 1 GENERAL

1.1 SUMMARY

- A. Section Includes: Work required for protection of an excavation or structure through shoring, sheeting, and bracing.
- B. Related Work Specified In Other Sections Includes:
 - 1. Section 02222 - Excavation - Earth and Rock
 - 2. Section 02223 - Backfilling

1.2 SUBMITTALS

- A. General: Provide all submittals, including the following, as specified in Division 1.
- B. CONTRACTOR's Submittals: All sheeting and bracing shall be the responsibility of the CONTRACTOR to retain qualified design services for these systems, and to be completed with strict adherence to OSHA Regulations. Submit complete design calculations and working drawings of proposed shoring, sheeting and bracing which have been prepared, signed and sealed by a Licensed Professional Engineer experienced in Structural Engineering and registered in the State of Florida, before starting excavation for jacking pits and structures. Use the soil pressure diagram shown for shoring, sheeting and bracing design. ENGINEER's review of calculations and working drawings will be limited to confirming that the design was prepared by a licensed professional engineer and that the soil pressure diagram shown was used.

1.3 REFERENCES

- A. Design: Comply with all Federal and State laws and regulations applying to the design and construction of shoring, sheeting and bracing.
- B. N.B.S. Building Science Series 127 "Recommended Technical Provisions for Construction Practice in Shoring and Sloping Trenches and Excavations.

1.4 QUALITY ASSURANCE

- A. Regulatory Requirements: Do work in accordance with the U.S. Department of Labor Safety and Health Regulations for construction promulgated under the Occupational Safety Act of 1970 (PL 91-596) and under Section 107 of the Contract Work Hours and Safety Standards Act (PL 91-54), and the Florida

Trench Safety Act. Observe 29 CFR 1910.46 OSHA regulations for Confined Space Entry.

PART 2 PRODUCTS

2.1 MANUFACTURERS AND MATERIALS

- A. Material Recommendations: Use manufacturers and materials for shoring, sheeting and bracing as recommended by the Licensed Professional Engineer who designed the shoring, sheeting, and bracing.
 - 1. Wood Materials: Oak, or treated fir or pine for wood lagging.

PART 3 EXECUTION

3.1 SHORING, SHEETING AND BRACING INSTALLATION

- A. General: Provide safe working conditions, to prevent shifting of material, to prevent damage to structures or other work, to avoid delay to the work, all in accordance with applicable safety and health regulations. Properly shore, sheet, and brace all excavations which are not cut back to the proper slope and where shown. Meet the general trenching requirements of the applicable safety and health regulations for the minimum shoring, sheeting and bracing for trench excavations.
 - 1. CONTRACTOR's Responsibility: Sole responsibility for the design, methods of installation, and adequacy of the shoring, sheeting and bracing.
- B. Arrange shoring, sheeting and bracing so as not to place any strain on portions of completed work until the general construction has proceeded far enough to provide ample strength.
- C. If ENGINEER is of the opinion that at any point the shoring, sheeting or bracing are inadequate or unsuited for the purpose, resubmission of design calculations and working drawings for that point may be ordered, taking into consideration the observed field conditions. If the new calculations show the need for additional shoring, sheeting and bracing, it should be installed immediately.
- D. Monitoring: Periodically monitor horizontal and vertical deflections of sheeting. Submit these measurements for review.
- E. Accurately locate all underground utilities and take the required measures necessary to protect them from damage. Keep all underground utilities in service at all times as specified in Division 1.
- F. Driven Sheet piling: Drive tight sheet piling in that portion of any excavation in paved or surface streets City collector and arterial streets and in State, County, and City

highways below the intersection of a one-on-one slope line from the nearest face of the excavation to the edge of the existing pavement or surface.

- G. Sheeting Depth: In general drive or place sheeting for pipelines to a depth at elevation equal to the top of the pipe as approved.
1. If it is necessary to drive sheeting below that elevation in order to obtain a dry trench or satisfactory working conditions, cut the sheeting off at the top of the pipe and leave in place sheeting below the top of the pipe.
 2. Do not cut the sheeting until backfill has been placed and compacted to the top of the pipe.
- H. Sheeting Removal: In general, remove sheeting and bracing above the top of the pipe as the excavation is refilled in a manner to avoid the caving in of the bank or disturbance to adjacent areas or structures. Remove sheeting as backfilling progresses so that the sides are always supported or when removal would not endanger the construction of adjacent structures. When required to eliminate excessive trench width or other damages, shoring or bracing shall be left in place and the top cut off at an elevation 2.5 feet below finished grade, unless otherwise directed.
1. Carefully fill voids left by the withdrawal of the sheeting by jetting, ramming or otherwise.
 2. No separate payment will be made for filling of such voids.

END OF SECTION

NO TEXT FOR THIS PAGE

SECTION 02210

PIPE REMOVAL AND ABANDONMENT

PART 1 GENERAL

1.1 SUMMARY

- A. Section Includes: Removal and abandonment of piping and appurtenances, wholly or in part, as required to complete Work as shown on the Drawings and specified in this Section.
- B. Work on and/or removal of asbestos cementitious pipe shall be performed per OSHA, EPA, NESHAPS, and State regulations and must be supervised by a person that has satisfactorily completed an Asbestos Abatement Project Supervisor course.
- C. Related Work Specified in other Sections Includes:
 - 1. Section 01045 – Connection to Existing Systems
 - 2. Section 02222 – Excavation – Earth and Rock
 - 3. Section 02223 – Backfilling
 - 4. Section 03310 – Concrete, Masonry Mortar and Grout

1.2 SUBMITTALS

- A. General: Provide all submittals, including the following, as specified in Division 1.
- B. Submit the following:
 - 1. Proposed methods for pipe removal and abandonment;
 - 2. Equipment proposed to be used to do pipe removal and abandonment work;
 - 3. Resume of pipe grouting subcontractor;
 - 4. Pipe removal and abandonment schedule/sequence.
- C. If a detour is required, submit a traffic control plan for approval to City Manager or designee and/or the Florida Department of Transportation as described in Section 01570.

1.3 SITE CONDITIONS

- A. General
 - 1. Prior to any work, a proper and approved maintenance of traffic plan (MOT) shall be submitted to the engineer and the City.
 - 2. Execute pipe removal and abandonment so that there is no injury to persons or damage to adjacent buildings, structures, equipment, materials, piping, wiring, pavement, fences, trees, guardrails, and other adjacent improvements. Execute demolition and abandonment so that access to facilities that are in operation and to residences and businesses is free and safe.

3. Execute pipe removal and abandonment so that interference to vehicular traffic and personnel traffic does not exceed scheduled interference. Do not place rubble, excavation, piping, or other materials removed on roadways, drives, or sidewalks that are to remain in service.

PART 2 - PRODUCTS

2.1 TEMPORARY MATERIALS

- A. Provide temporary fencing, barricades, barriers, piping, valves, pumps, power and controls, and water necessary to meet the requirements of this Section.
- B. Temporary fencing, barricades, barriers, and enclosures shall be suitable to the purpose intended.

2.2 REPAIR AND REPLACEMENT MATERIALS

For repair or replacement of existing facilities or improvements to remain, use materials identical to, or equal to, materials used in existing work when new.

PART 3 – EXECUTION

3.1 GENERAL

- A. Conduct pipe removal and abandonment as shown and specified in the Contract Documents.
- B. Conduct pipe removal and abandonment so that existing equipment, piping, wiring, structures, and other improvements to remain are not damaged. Repair or replace equipment, piping, wiring, structures, and other improvements damaged at no additional cost to the City.
- C. Do not remove equipment, piping, wiring, structures, or other improvements not shown or specified to be removed. If equipment, piping, wiring, structures, or other improvements not shown or specified to be removed is removed, replace equipment, piping, wiring, structures, or other improvements at no additional cost to the City.

3.2 DISCONNECTIONS

- A. Prior to starting pipe removal or abandonment, check underground and exposed existing utilities, piping, and equipment within the limits of pipe removal or abandonment. Prior to starting, check underground and exposed existing utilities, piping connected to and associated with existing pipe to be removed or abandoned. Verify the following:
 1. Piping is inactive (abandoned);
 2. Other utilities which may be in conflict have been permanently or temporarily disconnected, if required:
- B. Do not proceed with salvage or demolition if piping is active or utilities have not been disconnected.

3.3 ABANDONMENT

- A. The Contractor shall, as described on the Drawings and as may be directed by the City, abandon in place the following existing utility improvements:
1. All water mains, reuse water mains and raw water mains that are designated to be abandoned shall be filled with grout. Refer to Section 03310 – Concrete, Masonry Mortar and Grout.
 2. All sewer lines, force mains, laterals and services that are designated to be abandoned shall be flushed clean and filled with grout. Prior to grout fill, sewer lines, force mains, laterals and services to be abandoned shall be flushed clean to remove wastewater and solids. Contractor is responsible for securing and providing flushing water, collection of flush water/wastewater, and disposal. The cleaning of these piping systems shall comply with all local and DEP requirements.
 3. Sewer manholes designated to be abandoned shall have the top two feet removed. The remainder of each manhole shall be abandoned and filled with grout or flowable fill. The excavation or pit shall be backfilled with select fill and compacted in accordance with Section 02223 – Backfilling and the trenching details on the Drawings.
- B. Appurtenances: All water hydrants, ARV valves and other appurtenances on abandoned lines shall be removed to the main and the fitting at the main shall be capped or plugged. All valves shall have the valve box, pad and operator removed, with the valve left in the open position unless specifically noted otherwise.
- C. Preparation:
1. The City shall be notified at least 72 hours in advance of grouting operations.
 2. Bulkheads shall be spaced at intervals of not more than 1,000 feet. If the line to be abandoned is longer, bulkheads shall be inserted in the pipe to maintain the required maximum spacing between bulkheads.
 3. Temporary vents shall be installed in the line to be filled at a maximum spacing of 150 ft. The vents shall be capable of being capped to allow further grouting operations.
- D. Equipment:
1. The materials shall be mixed or delivered in equipment of sufficient size and capacity to provide the desired amount of grout material for each stage in a single operation. The equipment shall be capable of mixing the grout at densities required for the approved procedure and shall also be capable of changing density as dictated by field conditions any time during the grouting operation.
 2. Mixers and Pumps - The grout shall be delivered to the injection point at a steady pressure with a non-pulsating centrifugal or triplex pump. Means shall be provided to increase or decrease the water-cement ratio. The system shall mix the grout to a homogeneous consistency. Means of accurately measuring grout component quantities, pumping pressures, and volumes pumped shall be provided.

3. Pressure Gauges - CONTRACTOR shall provide one pressure gauge at the point of injection and one pressure gauge at the grout pump. Grouting shall not proceed without appropriate calibrated gauges in place and in working order. Pressure gauges shall be equipped with diaphragm seals, have a working range between 1.5 to 2.0 times the design grout pressure, and have an accuracy within 0.5 percent of full range. Pressure gauges shall be instrument oil filled and attached to a saddle-type diaphragm seal to prevent clogging with grout.

E. Grouting:

Once grouting operations begin, grouting shall proceed uninterrupted from bulkhead to bulkhead. Grout placement shall not be terminated until both of the following conditions have been met, unless otherwise approved by the City: a) The estimated volume of grout to fill the line has been injected; and, b) grout has been expelled from the furthest vent or bulkhead. Bulkheads and temporary vents shall not be removed until the grout has set.

F. Testing and Sampling:

1. Take four test specimens for each 50 cubic yards of grout or for each four hours of placing.
2. Test in accordance with ASTM C109 except:
 - a. The specimens shall be 3 inch by 6 inch cylinders covered after casting to prevent damage and loss of moisture. Moist cure specimens for a period up to 7 days prior to a 28-day compressive strength test.
 - b. Do not oven dry specimens that are load tested. Specimens may be tested at any age to monitor compressive strength. The material may require special handling and testing techniques.

G. The CONTRACTOR may remove the pipe in accordance with the Paragraph 3.04 in lieu of abandonment if acceptable to the City. Such removal, however, will be paid at the same price for pipe abandonment.

H. All work under this Section shall comply with City, State and Federal regulations.

3.4 REMOVAL AND DISPOSAL

A. The Contractor shall, as described on the Drawings and as may be directed by the City, remove the following existing utility improvements:

1. All water mains, reuse water mains and raw water mains that are designated to be removed.
2. All sewer lines, sewer manholes, force mains, laterals and services that are designated to be removed shall be flushed clean with water prior to removal. Contractor is responsible for securing and providing flushing water, collection of flush water/wastewater, and disposal. The cleaning of these piping systems shall comply with all local and DEP requirements.

B. The pipe removal and disposal shall include all valves, fittings and appurtenances.

3.5 SALVAGE OF EQUIPMENT, PIPING, AND MATERIALS

- A. Remove items identified on the drawings or specified to remain the property of the City. Do not damage equipment, piping, and materials to be salvaged.
- B. Following removal of equipment, piping, and materials to be salvaged, place equipment, piping, and materials in a location within the City limits as designated by the City.

3.6 REPAIRS

Repair structural elements, equipment, piping, conduit, and other improvements to remain that are damaged during demolition. Use workers specifically qualified in trade, or trades, involved to repair damaged work.

3.7 DISPOSAL

- A. Remove and dispose of all equipment, piping, and materials from the jobsite not specifically designated to be retained by the City.
- B. Contractor shall not accumulate or store debris from demolition on the project site.
- C. The disposal of the piping, manholes and appurtenances shall be in accordance with City, State and Federal laws.

3.8 BACKFILLING

- A. Backfill excavations, trenches, and pits resulting from abandonment and removal according to Section 02223 – Backfilling.
- B. Backfill of the pipe trenches shall be according to the City details for pipe trench backfill. Pipe trenches for removed pipes that were within 3 horizontal feet of the edge of pavement shall be backfilled according to the detail for the type of roadway.

3.9 CLEANUP AND CLOSURE

- A. Following pipe abandonment or removal, clean-up areas where other work is to be done as specified in this Section, or Sections applicable to work to be done.
- B. Following pipe abandonment or removal, clean-up areas where no other work is to be done under this Contract. Remove debris and rubbish, temporary facilities, and equipment. Level surface irregularities to eliminate depressions. Leave work in a neat and presentable condition.
- C. In locations where a pipe to be abandoned or removed connects to a pipe that remains in service, the Contractor shall install a suitable cap or plug on the end of the active pipe.

END OF SECTION

SECTION 02222

EXCAVATION - EARTH AND ROCK

PART 1 GENERAL

1.1 SUMMARY

- A. Section Includes: Requirements for performing opencut excavations to the widths and depths necessary for constructing structures and pipelines, including excavation of any material necessary for any purpose pertinent to the construction of the Work.
- B. Related Work Specified In Other Sections Includes:
 - 1. Section 02110 - Site Clearing
 - 2. Section 02151 - Shoring, Sheeting and Bracing
 - 3. Section 02223 – Backfilling
 - 4. Section 02530 – Groundwater Control for Open Cut Excavation
 - 5. Section 03310 – Concrete, Masonry, Mortar and Grout

1.2 DEFINITIONS

- A. Earth: "Earth" includes all materials which, in the opinion of the ENGINEER, do not require blasting, barring, wedging or special impact tools for their removal from their original beds, and removal of which can be completed using standard excavating equipment. Specifically excluded are all ledge and bedrock and boulders or pieces of masonry larger than one cubic yard in volume.
- B. Rock: "Rock" includes all materials which, in the opinion of the ENGINEER, require blasting, barring, wedging and/or special impact tools such as jack hammers, sledges, chisels, or similar devices specifically designed for use in cutting or breaking rock for removal from their original beds and which have compressive strengths in their natural undisturbed state in excess of 300 psi. Boulders or masonry larger than one cubic yard in volume are classed as rock excavation.

1.3 SUBMITTALS

- A. General: Provide all submittals, including the following, as specified in Division 1.
- B. Engage the services of a Professional Engineer who is registered in the State of Florida to design all cofferdam and sheeting and bracing systems which the CONTRACTOR feels necessary for the execution of his work. Submit to the

ENGINEER a signed statement that he has been employed by the CONTRACTOR to design all sheeting and bracing systems. After the systems have been installed, furnish to the ENGINEER an additional signed statement that the cofferdams and sheeting and bracing systems have been installed in accordance with his design.

- C. If a detour is required, submit a traffic control plan for approval to City Manager or designee and/or the Florida Department of Transportation as described in Section 01570.

1.4 SITE CONDITIONS

- A. Geotechnical Investigation: A geotechnical investigation may have been prepared by the CITY and ENGINEER in preparing the Contract Documents.
 - 1. The geotechnical investigation report may be examined for what ever value it may be considered to be worth. However, this information is not guaranteed as to its accuracy or completeness.
 - 2. The geotechnical investigation report is not part of the Contract Documents.
- B. Actual Conditions: Make any geotechnical investigations deemed necessary to determine actual site conditions.
- C. Underground Utilities: Locate and identify all existing underground utilities prior to the commencement of Work.
- D. Quality and Quantity: Make any other investigations and determinations necessary to determine the quality and quantities of earth and rock and the methods to be used to excavate these materials.

PART 2 PRODUCTS

Not Used

PART 3 EXECUTION

3.1 GENERAL

- A. Clearing: Clear opencut excavation sites of obstructions preparatory to excavation. Clearing in accordance with Section 02110, includes removal and disposal of vegetation, trees, stumps, roots and bushes, except those specified to be protected during trench excavation.
- B. Banks: Shore or slope banks to the angle of repose to prevent slides or cave-ins in accordance with Section 02151.

- C. Safety: Whenever an excavation site or trench is left unattended by the CONTRACTOR or when an area is not within 100 feet of observation by the CONTRACTOR, the excavation site or trench shall be filled and/or, at the City Manager's or designee discretion, protected by other means to prevent accidental or unauthorized entry. Include barricades and other protection devices requested by the ENGINEER or City Manager or designee, including temporary fencing, snow fencing, or temporary "structure" tape. Such safety items shall not relieve the CONTRACTOR of any site safety requirements or liabilities established by Federal, State and local laws and agencies, including OSHA, but is intended as additional safety measures to protect the general public.
- D. Hazardous Materials: If encountered, take care of hazardous materials not specifically shown or noted in accordance with Section 01500.
- E. During excavation and any site work, take storm water pollution prevention measures to ensure that water quality criteria are not violated in the receiving water body and all state and local regulatory requirements are met.

3.2 STRUCTURE EXCAVATION

- A. Excavation Size: Provide excavations of sufficient size and only of sufficient size to permit the Work to be economically and properly constructed in the manner and of the size specified.
- B. Excavation Shape: Shape and dimension the bottom of the excavation in earth or rock to the shape and dimensions of the underside of the structure or drainage blanket wherever the nature of the excavated material permits.
- C. Compaction: Before placing foundation slabs, footings or backfill, proof roll the bottom of the excavations to detect soft spots.
 - 1. For accessible areas, proof roll with a ten wheel tandem axle dump truck loaded to at least 15 tons or similarly loaded construction equipment.
 - 2. For small areas, proof roll with a smooth-faced steel roller filled with water or sand, or compact with a mechanical tamper.
 - 3. Make one complete coverage, with overlap, of the area.
 - 4. Overexcavate soft zones and replace with compacted select fill.

3.3 TRENCH EXCAVATION

- A. Preparation: Properly brace and protect trees, shrubs, poles and other structures which are to be preserved. Unless shown or specified otherwise, preserve all trees and large shrubs. Hold damage to the root structure to a minimum. Small shrubs may be preserved or replaced with equivalent specimens.

- B. Adequate Space: Keep the width of trenches to a minimum, however provide adequate space for workers to place, joint and backfill the pipe properly and safely.
1. The minimum width of the trench shall be equal to at least 3.5 feet or the outside diameter of the pipe at the joint plus 8-inches for unsheeted trench or 12 inches for sheeted trench, whichever is greater. Conform the trench walls to OSHA Regulations.
 2. In sheeted trenches, measure the clear width of the trench at the level of the top of the pipe to the inside of the sheeting.
- C. Depth:
1. Excavate trenches to a minimum depth of 8 inches, but not more than 12 inches, below the bottom of the pipe so that bedding material can be placed in the bottom of the trench and shaped to provide a continuous, firm bearing for pipe barrels and bells.
 2. Standard trench grade shall be defined as the bottom surface of the utility to be constructed or placed within the trench. Trench grade for utilities in rock or other non-cushioning material shall be defined as additional undercuts backfilled with crushed stone compacted in 6-inch lifts, below the standard 8-inches minimum trench undercut. Backfill excavation below trench grade not ordered in writing by the ENGINEER with acceptable USCS Class I, II or III (see Section 02223, 2.1.C) embedment material to trench grade and compact to density equal to native soil.
 3. In stable trenches, where the soil is neither wet, yielding, nor mucky, trench bottom may be either native undisturbed soils of USCS Class II, III, or IV, or thoroughly compacted USCS Class I, II, or III material from three inches (3") to six inches (6") depth to provide a stable, continuous support for the pipe bedding system. In USCS Class V soil areas, foundation bedding is required. All foundation bedding shall be USCS Class I material. In no case shall pipe be bedded on solid rock. See Section 02223, subsections 3.2 and 2.4 for more information on bedding.
- D. Unstable or Unsuitable Materials: If unstable or unsuitable material is exposed at the level of the bottom of the trench excavation, excavate the material in accordance with the subsection headed "Authorized Additional Excavation".
1. Remove material for the full width of the trench and to the depth required to reach suitable foundation material.
 2. When in the judgment of the ENGINEER the unstable or unsuitable material extends to an excessive depth, the ENGINEER may advise, in writing, the need for stabilization of the trench bottom with additional select fill material, crushed stone, washed shell, gravel mat or the need to provide firm support for the pipe or electrical duct by other suitable methods.

3. Crushed stone, washed shell and gravel shall be as specified in Section 02223.
 4. Payment for such trench stabilization will be made under the appropriate Contract Items or where no such items exist, as a change in the Work.
- E. Length of Excavation: Keep the open excavated trench preceding the pipe laying operation and the unfilled trench, with pipe in place, to a minimum length which causes the least disturbance. Provide ladders for a means of exit from the trench as required by applicable safety and health regulations.
- F. Excavated Material: Neatly deposit excavated material to be used for backfill at the sides of the trenches where space is available. Where stockpiling of excavated material is required, obtain the sites to be used and maintain operations to provide for natural drainage and not present an unsightly appearance.
- G. Water: Allow no water to rise in the trench excavation until sufficient backfill has been placed to prevent pipe flotation. Provide trench dewatering in accordance with Section 02530.

3.4 EXCAVATION FOR JACKING AND AUGERING

- A. Jacking and Augering Requirements: Allow adequate length in jacking pits to provide room for the jacking frame, the jacking head, the reaction blocks, the jacks, auger rig, and the jacking pipe. Provide sufficient pit width to allow ample working space on each side of the jacking frame. Allow sufficient pit depth such that the invert of the pipe, when placed on the guide frame, will be at the elevation desired for the completed line. Tightly sheet the pit and keep it dry at all times.

3.5 ROCK EXCAVATION

- A. Rock Excavation: Excavate rock within the boundary lines and grades as shown, specified or required. Use of explosives will not be permitted unless written approval is obtained from the Engineer of Record.
1. Rock removed from the excavation becomes the property of the CONTRACTOR. Transport and dispose of excavated rock at an off site disposal location. Obtain the off site disposal location.
 2. Remove all shattered rock and loose pieces.
- B. Structure Depths: For cast-in-place structures, excavate the rock only to the bottom of the structure, foundation slab, or drainage blanket.
- C. Trench Width: Maintain a minimum clear width of the trench at the level of the top of the pipe of the outside diameter of the pipe barrel plus 2 feet, unless otherwise approved.

- D. Trench Depth: For trench excavation in which pipelines are to be placed, excavate the rock to a minimum depth of 8 inches below the bottom of the pipe or duct encasement. Provide a cushion of sand or suitable crushed rock. Refill the excavated space with pipe bedding material in accordance with Section 02223. Include placing, compacting and shaping pipe bedding material in the appropriate Contract Items.
- E. Manhole Depths: For manhole excavation, excavate the rock to a minimum depth of 8 inches below the bottom of the manhole base for pipelines 24 inches in diameter and larger and 6 inches below the bottom manhole base for pipelines less than 24 inches in diameter. Refill the excavated space with pipe bedding material in accordance with Section 02223. Include placing, compacting and shaping pipe bedding material for manhole bases in the appropriate Contract Items.
- F. Over-excavated Space: Refill the excavated space in rock below structures, pipelines, conduits and manholes, which exceeds the specified depths with 2,500 psi concrete, crushed stone, washed shell, or other material as directed. Include refilling of over-excavated space in rock as part of the rock excavation.
- G. Other Requirements: Follow, where applicable, the requirements of the subsections on "Trench Excavation" and "Structure Excavation".
- H. Payment: Rock excavation, including placing, compacting and shaping of the select fill material, will be paid for under the appropriate Contract Items or where no such items exist, as a change in the Work.

3.6 FINISHED EXCAVATION

- A. Finish: Provide a reasonably smooth finished surface for all excavations, which is uniformly compacted and free from irregular surface changes.
- B. Finish Methods: Provide a degree of finish that is ordinarily obtainable from blade-grade operations and in accordance with Section 02223.

3.7 PROTECTION

- A. Traffic and Erosion: Protect newly graded areas from traffic and from erosion.
- B. Repair: Repair any settlement or washing away that may occur from any cause, prior to acceptance. Re-establish grades to the required elevations and slopes.
- C. It shall be the CONTRACTOR's responsibility to acquaint himself with all existing conditions and to locate all structures and utilities along the proposed utility alignment in order to avoid conflicts. Where actual conflicts are unavoidable, coordinate work with the facility owner and perform work so as to cause as little interference as possible with the service rendered by the facility disturbed in accordance with Section 1045. Repair and/or replace facilities or structures damaged in the prosecution of the work immediately, in conformance with current

standard practices of the industry, or according to the direction of the owner of such facility, at the CONTRACTOR's expense.

- D. Other Requirements: Conduct all Work in accordance with the environmental protection requirements specified in Division 1.

3.8 AUTHORIZED ADDITIONAL EXCAVATION

- A. Additional Excavation: Carry the excavation to such additional depth and width as authorized in writing, for the following reasons:

1. In case the materials encountered at the elevations shown are not suitable.
2. In case it is found desirable or necessary to go to an additional depth, or to an additional depth and width.

- B. Refill Materials: Refill such excavated space with either authorized 2500 psi concrete or compacted select fill material, in compliance with the applicable provisions of Section 02223.

- C. Compaction: Compact fill materials to avoid future settlement. As a minimum, backfill layers shall not exceed 6-inches in thickness for the full trench width and compaction shall equal 95% of maximum density, or 98% if under paved area of roadway, as determined by using ASTM D 1557. Perform compaction density tests at all such backfill areas with spacing not to exceed 100 feet apart and on each 6-inch compacted layer.

- D. Payment: Additional earth excavations so authorized and concrete or select fill materials authorized for filling such additional excavation and compaction of select fill materials will be paid for under the appropriate Contract Items or where no such items exist, as a change in the Work.

3.9 UNAUTHORIZED EXCAVATION

- A. Stability: Refill any excavation carried beyond or below the lines and grades shown, except as specified in the subsection headed "Authorized Additional Excavation", with such material and in such manner as may be approved in order to provide for the stability of the various structures.

- B. Refill Materials: Refill spaces beneath all manholes, structures, pipelines, or conduits excavated without authority with 2500 psi concrete or compacted select fill material, as approved.

- C. Payment: Refill for unauthorized excavation will not be measured and no payment will be made therefor.

3.10 SEGREGATION STORAGE AND DISPOSAL OF MATERIAL

- A. Stockpiling Suitable Materials: Stockpile topsoil suitable for final grading and landscaping and excavated material suitable for backfilling or embankments separately on the site in approved locations.
- B. Stockpile Locations: Store excavated and other material a sufficient distance away from the edge of any excavation to prevent its falling or sliding back into the excavation and to prevent collapse of the wall of the excavation. Provide not less than 2 feet clear space between the top of any stockpile and other material and the edge of any excavation.
- C. Excess Materials: Be responsible for transport and disposal of surplus excavated material and excavated material unsuitable for backfilling or embankments at an off site disposal location secured by the CONTRACTOR. Contractor shall be responsible for the proper disposal of all AC pipe/couplings and shall comply with all Federal, State, and local regulatory agencies accordingly.

3.11 REMOVAL OF WATER

- A. Water Removal: At all times during the excavation period and until completion and acceptance of the WORK at final inspection, provide ample means and equipment with which to remove promptly and dispose of properly all water entering any excavation or other parts of the WORK.
- B. Dry Excavations: Keep the excavation dry, in accordance with Section 02530.
- C. Water Contact: Allow no water to rise over or come in contact with masonry and concrete until the concrete and mortar have attained a set and, in any event, not sooner than 12 hours after placing the masonry or concrete.
- D. Discharge of Water: Dispose of water pumped or drained from the Work in a safe and suitable manner without damage to adjacent property or streets or to other work under construction.
- E. Protection: Provide adequate protection for water discharged onto streets. Protect the street surface at the point of discharge.
- F. Sanitary Sewers: Discharge no water into sanitary sewers.
- G. Storm Sewers: Discharge no water containing settleable solids into storm sewers.
- H. Repair: Promptly repair any and all damage caused by dewatering the Work.

END OF SECTION

SECTION 02223

BEDDING AND BACKFILLING

PART 1 GENERAL

1.1 SUMMARY

- A. General Requirements: Backfill all excavation to the original surface of the ground or to such other grades as may be shown or required. For areas to be covered by topsoil, leave or stop backfill (12) inches below the finished grade. Obtain approval for the time elapsing before backfilling against masonry structures. Remove from all backfill, any compressible, putrescible or destructible rubbish and refuse and all lumber and braces from the excavated space before backfilling is started. Leave sheeting and bracing in place or remove as the work progresses.
- B. Equipment Limitations: Do not permit construction equipment used to backfill to travel against and over cast-in-place concrete structures until the specified concrete strength has been obtained, as verified by concrete test cylinders. In special cases where conditions warrant, the above restriction may be modified providing the concrete has gained sufficient strength, as determined from test cylinders, to satisfy design requirements for the removal of forms and the application of load.
- C. Related Work Specified In Other Sections Includes:
 - 1. Section 02110 - Site Clearing
 - 2. Section 02222 – Excavation – Earth and Rock

1.2 REFERENCES

- A. Codes and standards referred to in this Section are:
 - 1. ASTM D 1557 - Standard Test Methods for Moisture-Density Relations of Soil and Soil-Aggregate Mixtures Using 10 lb Rammer and 18 in Drop

PART 2 PRODUCTS

2.1 BACKFILL MATERIAL - GENERAL

- A. General: Whenever trenches are in or across driveways, paved areas or streets, the Contractor shall be responsible for any settlement which occurs within one (1) year of preliminary acceptance. Backfill with sound materials, free from waste, organic matter, rubbish, boggy or other unsuitable materials. Acceptable backfill shall not contain rocks or stones larger than 2 inches in size.

- B. General Materials Requirements: Conform materials used for backfilling to the requirements specified. Follow common fill requirements whenever drainage or select fill is not specified. Determine and obtain the approval of the appropriate test method where more than one compaction test method is specified.
- C. Classification of Approved Embedment Materials: Embedment materials listed here include a number of processed materials plus the soil types defined according to the Unified Soil Classification System (USCS) in ASTM D2487. These materials are grouped into 5 broad categories according to their suitability for this application.
1. Class I: Angular, 0.25 inch to 1.5 inch (6 to 40 mm) graded stone, including a number of fill materials that have regional significance such as coral, slag, cinders, crushed shells and crushed stone. (Note: The size range and resulting high void ratio of Class I material makes it suitable for use to dewater trenches during pipe installation. This permeable characteristic dictates that its use be limited to locations where pipe support will not be lost by migration of fine grained natural material from the trench walls and bottom or migration of other embedment materials into the Class I material. When such migration is possible, the material's minimum size range should be reduced to finer than 0.25 inch (6 mm) and the gradation properly designed to limit the size of the voids. An alternative to modifying the gradation is to use a geotextile fabric as a barrier to migration to fines.)
 2. Class II: Coarse sands and gravels with maximum particle size of 1.5 inches (40 mm), including variously graded sands and gravels containing small percentages of fines, generally granular and non-cohesive, either wet or dry. Soil Types GW, GP, SW and SP are included in this class. (Note: Sands and gravels, which are clean or borderline between clean and with fines, should be included. Coarse-grained soils with less than 12 percent, but more than 5 percent fines are neglected in ASTM D2487 and the USCS, but should be included. The gradation of Class II material influences its density and pipe support strength when loosely placed. The gradation of Class II material may be critical to the pipe support and stability of the foundation and embedment, if the material is imported and is not native to the trench excavation. A gradation other than well graded, such as uniformly graded or gap graded, may permit loss of support by migration into void spaces of a finer grained natural material from the trench wall and bottom. An alternative to modifying the gradation is to use a geotextile fabric as a barrier to migration of fines.)
 3. Class III: Fine sand and clayey (clay filled) gravels, including fine sands, sand-clay mixtures and gravel-clay mixtures. Soil Types GM, GC, SM and SC are included in this class.
 4. Class IV: Silt, silty clays and clays, including inorganic clays and silts of medium to high plasticity and liquid limits. Soil Types MH, ML, CH and CL are included in this class. (Note: Use caution in the design and selection of the degree and method of compaction for Class IV soils because of the

difficulty in properly controlling the moisture content under field conditions. Some Class IV soils with medium to high plasticity and with liquid limits greater than 50 percent (CH, MH, CH-MH) exhibit reduced strength when wet and should only be used for bedding, haunching and initial backfill in arid locations where the pipe embedment will not be saturated by groundwater, rainfall or exfiltration from the pipe. Class IV soils with low to medium plasticity and with liquid limits lower than 50 percent (CL, ML, CL-ML) also require careful consideration in design and installation to control moisture content, but need not be restricted in use to arid locations.)

5. Class V: This class includes the organic soils OL, OH and PT as well as soils containing frozen earth, debris, rocks larger than 1.5 inches (40 mm) in diameter and other foreign materials. Do not use these materials for bedding, haunching or backfill.

2.2 SELECT BACKFILL

- A. Materials for Select Backfill: Use clean gravel, crushed stone, washed shell, or other granular or similar material as approved which can be readily and thoroughly compacted to 95 percent of the maximum dry density obtainable by ASTM D 1557.

1. Allowed Materials: Grade select backfill between the following limits:

U.S. Standard Sieve	Percent Passing By Weight
2 inch	100
1-1/2 inch	90-100
1 inch	75-95
1/2 inch	45-70
#4	25-50
#10	15-40
#200	5-15

2. Unallowed Materials: Very fine sand, uniformly graded sands and gravels, sand and silt, soft earth, or other materials that have a tendency to flow under pressure when wet are unacceptable as select backfill.

2.3 COMMON ON-SITE BACKFILL

- A. Materials for Common Backfill: Material from on-site excavation may be used as common backfill (fill) provided that it can be readily compacted to 90 percent of the maximum dry density obtainable by ASTM D 1557, and does not contain unsuitable material. Select fill may be used as common fill at no change in the Contract Price.

- B. Granular Materials On-Site: Granular on-site material, which is fairly well graded between the following limits may be used as granular common fill:

U.S. Standard Sieve	Percent Passing by Weight
2 inch	100
#10	50-100
#60	20-90
#200	0-20

- C. Cohesive Materials On-Site: Cohesive site material may be used as common fill.
1. The gradation requirements do not apply to cohesive common fill.
 2. Use material having a liquid limit less than or equal to 40 and a plasticity index less than or equal to 20.
- D. Material Approval: All material used as common fill is subject to approval. If there is insufficient on-site material, import whatever additional off-site material is required which conforms to the specifications and at no additional cost.

2.4 UTILITY PIPE BEDDING

- A. Gradation for all Piping: Bedding material shall be FDOT No. 57 stone if below the seasonal low groundwater table; or FDOT No. 89 stone, FDOT No. 131 screenings, or No. 132 screenings if above the seasonal low groundwater table. Provide a minimum of 6 inches of bedding material under all piping.
- B. Gradation for ductile iron (DIP) piping: For DIP piping provide bedding material up to the bottom of the pipe.
- C. Gradation for polyvinyl chloride (PVC) piping: For PVC piping provide bedding material up to the centerline (haunch/springline) of the pipe.

PART 3 EXECUTION

3.1 PRECAST MANHOLE BEDDING

- A. Bedding Compaction: Bed all precast manholes in well graded, compacted 12-inch layer of crushed stone. Compact bedding thickness no less than 6 inches for precast concrete manhole bases.
- B. Concrete Work Mats: Cast cast-in-place manhole bases and other foundations for structures against a 2500 psi concrete work mat in clean and dry excavations.

- C. Bedding Placement: Place select fill used for bedding beneath precast manhole bases, in uniform layers not greater than 9 inches in loose thickness. Thoroughly compact in place with suitable mechanical or pneumatic tools to not less than 95 percent of the maximum dry density as determined by ASTM D 1557.
- D. Use of Select Fill: Bed existing underground structures, tunnels, conduits and pipes crossing the excavation with compacted select fill material. Place bedding material under and around each existing underground structure, tunnel, conduit or pipe and extend underneath and on each side to a distance equal to the depth of the trench below the structure, tunnel, conduit or pipe.

3.2 PIPE BEDDING AND INITIAL BACKFILL

- A. Placement: Place backfill for initial pipe backfill from top of bedding to 1 foot over top of pipes in uniform layers not greater than 8 inches in loose thickness. Tamp under pipe haunches and thoroughly compact in place the backfill with suitable mechanical or pneumatic tools to not less than 98 percent of the maximum dry density as determined by ASTM D 1557.
- B. Foundation Bedding: Place bedding, to a depth specified by the City Manager or designee, as a foundation in wet, yielding or mucky locations. Construct foundation bedding by removal of the wet, yielding or mucky material and replacement with sufficient Class I material to correct soil instability.
- C. Stone Placement: Do not place large stone fragments in the pipe bedding or backfill within 2 feet over or around pipelines, or nearer than 2 feet at any point from any casing pipe, conduit or concrete wall.
- D. Machine Compaction: Machine Compaction of initial backfill is prohibited unless adequate cover as deemed by the City Manager or designee is provided. In no case shall adequate cover be less than 12 inches.
- E. Unallowed Materials: Pipe bedding containing very fine sand, uniformly graded sands and gravels, sand and silt, soft earth, or other materials that have a tendency to flow under pressure when wet is unacceptable.

3.3 TRENCH BACKFILL

- A. General: Backfill trenches from 1 foot over the top of the pipe, from the top of electrical duct bedding or as shown to the bottom of pavement base course, subgrade for lawns or lawn replacement, to the top of the existing ground surface or to such other grades as may be shown or required.
- B. Materials: All backfill material shall be acceptable dry materials, and shall be free from cinders, ashes, refuse, vegetable or organic material, boulders, rocks, or stones, or other deleterious material which in the opinion of the City Manager or designee is unsuitable.
- C. Depth of Placement - Place trench backfill in uniform layers not greater than 12 inches in loose thickness and that can be thoroughly compacted in place using

suitable mechanical or pneumatic equipment to not less than 98 percent of the maximum dry density as determined by ASTM D 1557.

- D. Depth of Placement - Undeveloped Areas: In nondeveloped areas and where select fill material or hand-placed backfill are not specified or required, place suitable job-excavated material or other approved backfill in lifts not exceeding 12 inches in loose thickness. Lifts of greater thickness may be permitted by the City Manager or designee if the CONTRACTOR demonstrates compliance with required densities. When the trench is full, consolidate the backfill by jetting, spading, or tamping to ensure complete filling of the excavation. Mound the top of the trench approximately 12 inches to allow for consolidation of backfill.
- E. Compaction: Compact backfill as a percentage of the maximum density at optimum moisture content as determined by the standard proctor test, ASTM D698 as demonstrated in the following table:

Area	(Mod.) ASTM D1557
Around and 1' (Min) above top of pipe	98
Remaining Trench	98
Pavement Sub-Grade and Shoulders (Last 3' of Fill)	98
Base Material and Pavement	98
Adjacent to Structures (Areas not Paved)	98
Under Structures	98
Sub-Base	98

- F. Density Tests: Density tests will be made at the request of the City Manager or designee. Deficiencies will be corrected at the expense of the CONTRACTOR.
- G. Dropping of Material on Work: Do trench backfilling work in such a way as to prevent dropping material directly on top of any conduit or pipe through any great vertical distance.
- H. Distribution of Large Materials: Break lumps up and distribute any stones, pieces of crushed rock or lumps which cannot be readily broken up, throughout the mass so that all interstices are solidly filled with fine material.

3.4 STRUCTURE BACKFILL

- A. Use crushed stone underneath all structures, and adjacent to structures where pipes, connections and structural foundations are to be located within this fill. Use crushed stone beneath all pavements, walkways, and railroad tracks, and extend to the bottom of pavement base course or ballast.
 - 1. Place backfill in uniform layers not greater than 8 inches in loose thickness and thoroughly compact in place with suitable approved mechanical or pneumatic equipment.

2. Compact backfill to not less than 95 percent of the maximum dry density as determined by ASTM D 1557.
- B. Use of Common Fill: Use common granular fill adjacent to structures in all areas not specified above. Select fill may be used in place of common granular fill at no additional cost.
1. Extend such backfill from the bottom of the excavation or top of bedding to the bottom of subgrade for lawns or lawn replacement, the top of previously existing ground surface or to such other grades as may be shown or required.
 2. Place backfill in uniform layers not greater than 8 inches in loose thickness and thoroughly compact in place with suitable equipment, as specified above.
 3. Compact backfill to not less than 90 percent of the maximum dry density as determined by ASTM D 1557.

3.5 COMPACTION EQUIPMENT

- A. Equipment and Methods: Carry out all compaction with suitable approved equipment and methods.
1. Compact clay and other cohesive material with sheep's-foot rollers or similar equipment where practicable. Use hand held pneumatic tampers elsewhere for compaction of cohesive fill material.
 2. Compact low cohesive soils with pneumatic-tire rollers or large vibratory equipment where practicable. Use small vibratory equipment elsewhere for compaction of cohesionless fill material.
 3. Do not use heavy compaction equipment over pipelines or other structures, unless the depth of fill is sufficient to adequately distribute the load.

3.6 FINISH GRADING

- A. Final Contours: Perform finish grading in accordance with the completed contour elevations and grades shown and blend into conformation with remaining natural ground surfaces.
1. Leave all finished grading surfaces smooth and firm to drain.
 2. Bring finish grades to elevations within plus or minus 0.10 foot of elevations or contours shown.
- B. Surface Drainage: Perform grading outside of building or structure lines in a manner to prevent accumulation of water within the area. Where necessary or

where shown, extend finish grading to ensure that water will be carried to drainage ditches, and the site area left smooth and free from depressions holding water.

3.7 RESPONSIBILITY FOR AFTERSETTLEMENT

- A. Aftersettlement Responsibility: Take responsibility for correcting any depression which may develop in backfilled areas from settlement within one year after the work is fully completed. Provide, as needed, backfill material, pavement base replacement, permanent pavement, sidewalk, curb and driveway repair or replacement, and lawn replacement, and perform the necessary reconditioning and restoration work to bring such depressed areas to proper grade as approved.

3.8 INSPECTION AND TESTING OF BACKFILLING

- A. Sampling and Testing: Provide sampling, testing, and laboratory methods in accordance with the appropriate ASTM Standard Specification. Subject all backfill to these tests.
- B. Correction of Work: Correct any areas of unsatisfactory compaction by removal and replacement, or by scarifying, aerating or sprinkling as needed and recompaction in place prior to placement of a new lift.
- C. Testing Schedule:
 - 1. Compaction Schedule
 - 2. Optimum Moisture Content (Proctor Test)

END OF SECTION

SECTION 02226

JACKING, AUGERING AND MINING

PART 1 GENERAL

1.1 SUMMARY

- A. Section Includes: Pipeline installation in casing pipe beneath highways, railroads and other structures may be installed by jacking and augering or by jacking and mining.
- B. Related Work Specified in Other Sections Includes:
 - 1. Section 02151 – Shoring, Sheeting and Bracing
 - 2. Section 02222 - Excavation - Earth and Rock
 - 3. Section 03310 – Concrete, Masonry, Mortar and Grout

1.2 REFERENCES

- A. Codes and standards referred to in this Section are:
 - 1. ASTM C 76 - Specification for Reinforced Concrete Culvert, Storm Drain, and Sewer Pipe
 - 2. ASTM A 139 - Specification for Electric-Fusion (Arc) -Welded Steel Pipe (NPS in 4 in. and Over)
 - 3. OSHA PL-91-596 - Occupational Safety Health Act of 1970 Public Law 91-596

1.3 SUBMITTALS

- A. Provide all submittals, including the following, as specified in Division 1.
 - 1. Working drawings of the jacking pipe, jacking frame, jacking head, reaction blocks, sheeting, including design calculations and the complete jacking installation.
 - 2. Necessary permit applications and approvals by the appropriate authority.

1.4 DELIVERY, STORAGE AND HANDLING

- A. Deliver, store and handle all products and materials as specified in Division 1.

PART 2 PRODUCTS

2.1 MATERIALS

A. General: Use one of the following for casing piping.

1. Spiral weld or smooth wall steel pipe, meeting the requirements of ASTM A 139, Grade B. The minimum casing pipe size and wall thickness shall be as shown in the following table, for the carrier pipe size indicated. For sizes not included therein, or for special design considerations, obtain approval from City Utilities.

For PVC and HDPE Pressure Carrier Pipes

<u>Carrier Pipe Nominal Size</u>	<u>Casing Pipe Nominal Diameter</u>	<u>Casing Pipe Wall Thickness</u>
<u>Inches</u>	<u>Inches</u>	<u>Inches</u>
2	4	0.1875
4	14	0.250
6	16	0.250
8	18	0.250
10	20	0.250
12	24	0.250
14	30	0.312
16	30	0.312
18	36	0.375
20	36	0.375
24	42	0.500
30	42	0.500
36	48	0.500

For Gravity Sewer Carrier Pipes

<u>Carrier Pipe Nominal Size</u>	<u>Casing Pipe Nominal Diameter</u>	<u>Casing Pipe Wall Thickness</u>
<u>Inches</u>	<u>Inches</u>	<u>Inches</u>
8	14	0.250
10	16	0.250
12	20	0.250
15	24	0.312
18	26	0.312
21	30	0.312
24	32	0.375
27	36	0.375

- B. Fill Material: Use fill material consisting of 1-1/4 pounds of Bentonite per gallon of water during jacking to fill any voids between pipe and the earth.

PART 3 EXECUTION

3.1 INSTALLATION

A. Casing Pipe:

1. Install all casing pipe in accordance with the manufacturer's recommendations and approved shop drawings and as specified in Division 1.
2. The provisions of this section shall represent the minimum standards for the installation of casing pipe for sewer force main or water main pipeline. Install steel casing pipe so that carrier pipe can be installed true to line and grade.
3. If jack and bore is specified by the Engineer of Record, install all sewer force mains and water mains in a casing to be placed under all present and future City roadways. Conform steel casing procedures to the requirements of the FDOT. All work and materials shall be subject to inspection by DOT. Restore the Department's property and surface conditions to the original condition in keeping with the Department's specifications and standards.
4. In general, for jack and bore operations, install all underground sewer force mains and water mains crossing all existing City and County roadways, Florida State Highways and railroads within steel casing pipe extending at least five (5) feet beyond pavement edge. Obtain specific crossing requirements in advance from the authority having jurisdiction.
5. Submit the necessary permit documents and data to the appropriate authority and receive approval thereof. Maintain traffic on the roadway and keep all workmen and equipment clear of the travelway during the work. Comply with all Federal, State, County, and City safety regulations and any permit(s).
6. Locate casing pipes crossing under City and County roadways at suitable approved alignments in order to eliminate possible conflict with existing or future utilities and structures with a minimum 30 inches depth of cover between the top of the casing pipe and the surface of the roadway. Conduct boring operations in such a manner as not to create hazardous conditions or impede traffic flow.
7. For casing pipe crossing under roadways, railroads, or other installations not within the jurisdiction of the City of Naples, comply with the regulations of said authority in regard to design, specifications and construction. State Highway casing installations shall be as specified in the FDOT, "Utility Accommodation Guide", and for railroads, the American Railway Engineering Association, Part 5, Section 5.2, "Specifications for Pipelines Conveying Nonflammable Substances", shall be applicable. However, in no case shall the minimum casing pipe diameter and wall thickness, for a specific carrier pipe size, be less than that specified above.

8. Use a simultaneous and continuous installation of any dry boring and jacking operation until the casing pipe is in final position. Maintain correct line and grade. Use full-ring welded add-on sections of casing pipe, developing water-tight total pipe strength joints. Use pipe lengths of at least 18 feet. Casing welders shall be certified welders. A copy of the certification shall be obtained by the Engineer of Record and given to the City Manager or designee prior to the welding procedure. Produce no upheaval, settlement, voids, cracking, movement or distortion of the existing roadbed or other facilities during the casing installation. Fill any voids with 1:3 portland cement grout at sufficient pressure for roadway protection. Following placement of the carrier pipe within the steel casing, install masonry plugs at each open end. Plugs shall be suitable for restraining the external earth load, while allowing internal drainage.
9. Mechanically bore casing pipe holes through the soil by a cutting head on a continuous auger mounted inside the pipe. Extend the auger a maximum of two inches (2") beyond the end of the casing pipe to preclude formation of voids outside the pipe shell. Auger should not be of a greater diameter than the outside diameter of the encasement.
10. Adequately protect the casing pipe to prevent crushing or other damage under jacking pressures. Provide backstops for adequately distributing the jack thrust without causing deformation of the soil or other damage. Replace damaged casing pipe if not installed; however, if installed, abandon encasement pipe in place, suitably plug, and install an alternate installation, as directed by the County Manager or designee.
11. In the event of obstruction, withdraw auger, cut and cap excess pipe and fill void with 1:3 portland cement grout under sufficient pressure
12. Excavate and maintain required boring or jacking pits or shafts to the minimum dimension. Adequately barricade, sheet, brace and dewater excavation as required.
13. Deviation from approved jack and bore methods and above specifications is grounds for work stoppage and line replacement at the expense of the CONTRACTOR.

B. Casing Spacers:

1. Use Cascade Stainless Steel Casing Spacer being on center and restrained as the preferred method for installing the carrier pipe. Use skids installed with 6 ft to 10 ft spacing as recommended by the manufacturer. After the carrier pipe has been tested for leakage, block the casing ends with either an 8" wall of brick masonry with a weep hole installed near the bottom of each wall or Cascade Model CCES End Seals with stainless steel bands. Upsizing casings may be required for PVC push on pipe with EBAA restrained bells. No extra payment will be made for this upsizing.

2. The minimum casing pipe inside diameters needed for restrained carrier pipe are as follows:

MINIMUM CASING PIPE INSIDE DIAMETER NEEDED FOR RESTRAINED CARRIER PIPE			
DUCTILE IRON MECHANICAL JOINT WITH MEGALUG RESTRAINT			
EBAA Product	Nominal Carrier Pipe Size (in.)	Diameter (in.)	Min. Steel Casing ID (in.)
1104	4	9.90	13
1106	6	12.00	15
1108	8	14.15	17
1110	10	16.20	19
1112	12	18.30	21.5
1114	14	20.94	23.5
1116	16	22.90	25.5
1118	18	25.00	28
1120	20	27.10	30
1124	24	32.64	35
1130	30	38.87	41
1136	36	45.17	48
1142	42	55.57	58
1148	48	61.87	64
PVC PUSH ON PIPE WITH EBAA RESTRAINED BELLS			
EBAA Product	Nominal Carrier Pipe Size (in.)	Diameter (in.)	Min. Steel Casing ID (in.)
1504	4	10.13	12.5
1506	6	12.63	15
1508	8	15.50	18
1510	10	17.73	20
1512	12	21.25	24
1114HV	14	24.25	26.5
1116HV	16	26.50	28.5
1120HV	20	31.00	34
1124HV	24	35.50	38
1130HV	30	42.38	45

- C. Augering: Conduct augering with the proper equipment and procedure such that the carrier pipe and the casing pipe can be installed to the grades specified without disturbing the adjacent earth. Submit all equipment and procedures for prior approval.
- D. Hand Mining: Conduct hand mining only in casings that are sufficiently large enough to permit such operation. Provide adequate fresh air supply within the casing pipe and conduct all operations in accordance with the requirements of the U.S. Department of Labor Safety and Health Regulations for Construction promulgated under the Occupational Safety and Health Act 7 1970 (PL-91-596).

- E. Jacking Pit: Make the jacking pit of adequate length to provide room for the jacking frame, the jacking head, the reaction blocks, the jacks, auger rig, and the jacking pipe. Make the pit sufficiently wide to allow ample working space on each side of the jacking frame. Make the depth of the pit such that the invert of the pipe, when placed on the guide frame, is at the elevation desired for the completed line. Provide excavation in conformance with Section 02222.
- F. Sheeting: Sheet the jacking pit tightly and keep it dry at all times. Conform sheeting to Section 02151. Have complete design calculation for sheeting the jacking pit sealed and submitted by a Professional Engineer registered in the State of Florida.
- G. Jacking Frame: Use a jacking frame that applies a uniform pressure over the entire pipe wall area of the pipe to be jacked.
- H. Reaction Blocks: Use reaction blocks designed to carry the thrust of the jacks to the soil without excessive soil deflection and in such a manner as to avoid any disturbance of adjacent structures or utilities.
- I. Operation: Use hydraulic jacks in the jacking operation. Use extreme care to hold the pipe to exact line and grade. Advance the excavation at the heading manually or with an auger. Do not allow the advance to exceed one foot ahead of the casing pipe. Make every effort to avoid loss of earth outside the casing.
- J. Safety Railing: Provide a safety railing all around the top of the pit at all times.
- K. Restore property and surface conditions to the original condition in accordance with City specifications and standards.
- L. Carrier Pipe:

Utilize joint restrained pipe for the entire water main or force main pipe length inside the casing. Use special supporting of the carrier pipe within the casing with a design approved by the County Manager or designee.

END OF SECTION

SECTION 02230

ROADWAY CROSSINGS BY OPEN CUT

PART 1 GENERAL

1.1 SCOPE OF WORK

Provide all labor, materials, equipment, supervision and incidentals required to install the pipeline as shown on the drawings in City streets by method of open cut.

Note: Open cutting of existing pavement will generally not be allowed, but may be considered under one or more of the following conditions:

1. Subsurface obstructions including rock;
2. Extreme high water table;
3. Limited space for jack and bore pits;
4. Condition of roadway surface - including imminent resurfacing and rebuilding, provided inspection and approval beforehand is made by the affected Transportation Department; or
5. Extreme economic hardship is proven with adequate supportive data.

1.2 SUBMITTAL

- A. Submit shop drawings to the ENGINEER for review.
- B. Before starting work, submit to the City Stormwater, Streets and Traffic Department, with copy to the ENGINEER, a detailed schedule of his operations a minimum of fourteen (14) days prior to beginning work for approval. This shall include, but not be limited to, type and extent of temporary paving, and drawings and lists describing materials and traffic control methods to be used. Approval shall not relieve the CONTRACTOR of his obligation to provide a safe and proper crossing.
- C. If a detour is required, submit a traffic control plan for approval to the City Stormwater, Streets and Traffic Department, County, and/or the Florida Department of Transportation.
- D. Submit a plan for maintenance of traffic in accordance with Index 600 through 650 of the Florida Department of Transportation Specifications.

PART 2 PRODUCTS

2.1 MATERIALS

- A. Use materials specified in other applicable portions of this Specification.

PART 3 EXECUTION

3.1 GENERAL

- A. Trench dimensions for open cutting of road crossings are shown on the Standard Details.
- B. Where possible, limit the completion of the open-cut road crossing to a 24-hour period. Perform all work in accordance with the approved traffic control plan.
- C. Notify City Stormwater, Streets and Traffic Department forty-eight (48) hours in advance of starting construction.

3.2 INSTALLATION

A. Temporary Roadways

1. For temporary roadways required for traffic relocation use materials meeting the requirements of the FDOT. Use temporary roadways when crossing a state highway right-of-way or at the direction of the ENGINEER.
2. Maintain temporary roadways in good condition throughout their use.
3. Maintain drainage through all existing ditches by the use of culvert pipe as necessary.
4. Submit drawings indicating the type and location of temporary roadways for approval prior to beginning work.
5. Provide all necessary barricades and signs where detours are permitted as required to divert the flow of traffic. Notify Collier County DOT and ENGINEER in advance of planned detours. While traffic is detoured, expedite construction operations to minimize the period of detour.
6. Perform and complete all work at the roadway crossing in a manner fully satisfactory to the City Stormwater, Streets and Traffic Department.

B. Maintenance of Traffic

1. The requirements specified herein are in addition to the plan for Maintenance of Traffic as specified in Section 01570.
2. Furnish during construction and any subsequent maintenance within State secondary road right-of-ways and City streets, proper signs, signal lights,

flagmen, and other warning devices for the protection of traffic all in conformance with the latest Manual on Uniform Traffic Control and Safe Streets and Highways, and the Florida Manual of Traffic Control and Safe Practices for Street and Highway Construction, Maintenance and Utility Operations. Information as to the above may be obtained from FDOT Division engineers. The ENGINEER, City Engineer, or FDOT Manager of the right-of-way or their representatives reserves the right to stop any work for non-compliance.

3. Take precautions to prevent injury to the public due to open trenches. Night watchmen may be required where special hazards exist, or police protection provided for traffic while work is in progress. Be fully responsible for damage or injuries whether or not police protection has been provided.
4. Unless permission to close a City street is received in writing from the proper authority, place all excavated material so that vehicular and pedestrian traffic may be maintained at all times. Repair the road surface, provide temporary ways, erect wheel guards or fences, or take other measures for safety satisfactory to the ENGINEER if the CONTRACTOR's operations cause traffic hazards.
5. Be fully responsible for the installation of adequate safety precautions, for maintenance of the channelization devices, and for the protection of the traveling public.
6. Maintain at all open cut crossings, a minimum of one-way traffic during the daylight hours, and two-way traffic at night.

C. Installation of Pipeline

1. Meet the requirements of the applicable portions of this specification for pavement removal, sheeting, shoring and bracing, excavation and backfill, and dewatering.
2. Install the pipe in accordance with Division 2 of these Specifications.
3. Backfill the trench in accordance with the requirements of Section 02223.
4. Replace pavement in accordance with Section 02575 of this Specification.

END OF SECTION

NO TEXT FOR THIS PAGE

SECTION 02275

NPDES REQUIREMENTS

FOR CONSTRUCTION ACTIVITIES IMPACTING MORE THAN ONE ACRE

PART 1 GENERAL

1.1 DESCRIPTION

- A. This Section describes the required documentation to be prepared and signed by the CONTRACTOR before conducting construction operations, in accordance with the terms and conditions of the National Pollutant Discharge Elimination System (NPDES) Stormwater Permit, as required by Florida Administrative Code (F.A.C.) Chapter 62-621.
- B. The CONTRACTOR shall be responsible for implementation, maintenance and inspection of stormwater pollution prevention control measures in accordance with F.A.C. Chapter 62-621 including, but not limited to, erosion and sediment control, stormwater management plans, waste collection and disposal, off-site vehicle tracking, and other practices shown on the Drawings and/or specified elsewhere in this or other specifications. The stormwater pollution prevention control measures shall include protection of offsite public and private stormsewer facilities potentially impacted during construction. Stormwater facilities include streets, inlets, pipes, ditches, swales, canals, culverts, control structures, and detention/retention areas.
- C. The CONTRACTOR shall prepare and review implementation of the Stormwater Pollution Prevention Plan (SWPPP) in a meeting with the City Manager or designee prior to start of construction.

1.2 UNIT PRICES

- A. Unless indicated in the Unit Price Schedule as a pay item, no separate payment will be made for work performed under this Section. Include cost of work to be performed under this Section in pay items of which this work is a component.

1.3 REFERENCE DOCUMENTS

- A. ASTM D3786 – Standard Test Method for Hydraulic Bursting Strength for Knitted Goods and Nonwoven Fabrics
- B. ASTM D4632 – Standard Test Method for Grab Breaking Load and Elongation of Geotextiles

PART 2 PRODUCTS

NOT USED

PART 3 EXECUTION

3.1 NOTICE OF INTENT (NOI)

- A. Fill out, sign and date a Notice of Intent to Use Generic Permit for Stormwater Discharge from Large and Small Construction Activities, (FDEP Form 62-621.300(4)(b)). Submit the signed copy of the NOI to the City Manager or designee. The City Manager or designee will submit the completed form to the FDEP along with the required permit fee.

3.2 CERTIFICATION REQUIREMENTS

- A. On the attached OPERATOR'S INFORMATION form, fill out the name, address and telephone number for the CONTRACTOR, persons or firms responsible for maintenance and inspection of erosion and sediment control measures, and all Subcontractors.
- B. The CONTRACTOR and Subcontractors named in the Operator's Information form shall read, sign and date the attached CONTRACTOR'S/ SUBCONTRACTOR'S CERTIFICATION form.
- C. The persons or firms responsible for maintenance and inspection of erosion and sediment control measures shall read, sign and date the attached EROSION CONTROL CONTRACTOR'S INSPECTION AND MAINTENANCE CERTIFICATION form.
- D. Submit all forms to the City Manager or designee before beginning construction.

3.3 RETENTION OF RECORDS

- A. Retain a copy of the SWPPP at the construction site and at the Contractor's office from the date that it became effective to the date of project completion.
- B. At project closeout, submit to the City Manager or designee all NPDES forms and certifications, as well as a copy of the SWPPP. Stormwater pollution prevention records will be retained by the City Manager or designee for a period of three (3) years from the date of project completion.

3.4 REQUIRED NOTICES

- A. The following notices shall be posted from the date that the SWPPP goes into effect until the date of final site stabilization:

1. A copy of the submitted NOI and a brief project description, as given in the SWPPP, shall be posted at the construction site and at the CONTRACTOR's office in a prominent place for public viewing.
2. Notice to drivers of equipment and vehicles, instructing them to stop, check and clean tires of debris and mud before driving onto traffic lanes. Post such notices at every stabilized construction exit area.
3. Post a notice of waste disposal procedures in an easily visible location on site.
4. Notice of hazardous material handling and emergency procedures shall be posted with the NOI on site. Keep copies of Material Safety Data Sheets at a location on site that is known to all personnel.
5. Keep a copy of each signed certification at the construction site and at the CONTRACTOR's office.

REQUIRED FORMS FOLLOW

OPERATOR'S INFORMATION

Owner's Name and Address: City Utilities Department

380 Riverside Circle
Naples, Florida 34102
(239) 213-4717

Contractors' Names and Addresses:

General Contractor: _____

Telephone: _____

Site Superintendent: _____

Telephone: _____

Erosion Control and
Maintenance Inspection: _____

Telephone: _____

Subcontractors' Names and Addresses:

Phone: _____

Phone: _____

CONTRACTOR'S / SUBCONTRACTOR'S CERTIFICATION

I certify under penalty of law that I understand the terms and conditions of Florida's National Pollutant Discharge Elimination System (NPDES) Construction General Permit that authorizes storm water discharges associated with activity from the construction site identified as part of this certification, and that I have received a copy of the SWPPP.

Signature: _____

Name: (printed or typed) _____

Title: _____

Company: _____

Address: _____

Signature: _____

Name: (printed or typed) _____

Title: _____

Company: _____

Address: _____

Signature: _____

Name: (printed or typed) _____

Title: _____

Company: _____

Address: _____

**EROSION CONTROL CONTRACTOR'S
INSPECTION AND MAINTENANCE CERTIFICATION**

I certify under penalty of law that I understand the terms and conditions of Florida's National Pollutant Discharge Elimination System (NPDES) Construction General Permit that authorizes storm water discharges associated with activity from the construction site identified as part of this certification, and that I have received a copy of the SWPPP.

Signature: _____

Name: (printed or typed) _____

Title: _____

Company: _____

Address: _____

Date: _____

STORM WATER POLLUTION PREVENTION PLAN INSPECTION AND MAINTENANCE REPORT

Project: _____

Contractor: _____

Inspector: _____

Date: _____

CONTROLS	LOCATION	SEDIMENT HEIGHT	PROBLEM DESCRIPTION	MAINTENANCE REQUIRED	REPAIRED BY / DATE

END OF SECTION

SECTION 02276

EROSION AND SEDIMENTATION CONTROL

PART 1 GENERAL

1.1 DESCRIPTION

- A. The work specified in this Section consists of designing, providing, maintaining and removing temporary erosion and sedimentation controls as necessary. The Contractor shall exercise extreme care to minimize contamination of rainfall run-off from the site. All necessary provisions and care shall be taken to insure compliance with the Water Quality Standards of the State of Florida, more particularly the South Florida Water Management District (SFWMD). The Contractor shall make himself familiar with Chapter 17-3, "Water Quality Standards," of the Florida Administrative Code (F.A.C.). Compliance for protection of State Waters and/or jurisdictional areas require the use of hay bales, temporary swales, settling ponds, silt screens, and other appropriate methods as necessary to prevent soils and sediment from entering such areas. Prior to commencement of work , the Contractor shall submit a plan of action and a list of materials he plans to use for sedimentation/erosion control to the City for approval.
- B. Temporary erosion controls include, but are not limited to rip rap channels, road stabilization, grassing, mulching, setting, watering, and reseeding onsite surfaces and spoil and borrow area surfaces and providing interceptor ditches at ends of berms and at those locations which will ensure that erosion during construction will be either eliminated or maintained within acceptable limits as established by the CITY.
- C. Temporary sedimentation controls include, but are not limited to, silt dams, traps, barriers, public and private on- and off-site storm sewer inlets protectors, and appurtenances at the foot of sloped surfaces which will ensure that sedimentation pollution will be either eliminated or maintained within acceptable limits as established by the CITY.
- D. If required by regulation or CITY, CONTRACTOR is responsible for providing an approved Erosion Control Plan for effective temporary erosion and sediment control measures during construction or until final controls become effective.

1.2 REFERENCE DOCUMENTS

- A. South Florida Building Code and Standard Building Code.

PART 2 PRODUCTS

2.1 EROSION CONTROL

- A. Sodding and Seeding is specified in Section 02400.
- B. Rip Rap Channel.
- C. Road Stabilization.
- D. Netting - fabricated of material acceptable to the City Manager or designee.

2.2 SEDIMENTATION CONTROL

- A. Temporary Sediment Trap.
- B. Sediment Fence.
- C. Bales - clean, seed free pine needle or cereal hay type.
- D. Netting - fabricated of material acceptable to the City Manager or designee.
- E. Filter Stone - crushed stone conforming to Florida Department of Transportation specifications.
- F. Concrete Block - hollow, non-load-bearing type.
- G. Concrete - exterior grade not less than one inch thick.

PART 3 EXECUTION

3.1 EROSION CONTROL

- A. Minimum procedures for grassing are:
 - 1. Scarify slopes to a depth of not less than six inches and remove large clods, rock, stumps, roots larger than 1/2 inch in diameter and debris.
 - 2. Sow seed within twenty-four (24) hours after the ground is scarified with either mechanical seed drills or rotary hand seeders.
 - 3. Apply mulch loosely and to a thickness of between 3/4 inch and 1-1/2 inches.
 - 4. Apply netting over mulched areas on sloped surfaces.
 - 5. Roll and water seeded areas in a manner which will encourage sprouting of seeds and growing of grass. Reseed areas that exhibit unsatisfactory growth (less than 70 percent coverage). Backfill and seed eroded areas, removing eroded material from effected drainage facilities.

B. Minimum procedures for rip rap channel are:

1. Clear the foundation of all trees, stumps, and roots.
2. Excavate the bottom and sides of the channel 30 inches below grade at all points to allow for the placement of riprap as shown in the typical cross-section in the Standard Details.
3. Install extra strength filter fabric on the bottom and sides of the channel foundation, placing the upstream fabric over the downstream fabric with at least a 1 foot overlap on all joints. The fabric is to be securely held in place with metal pins.
4. Place riprap evenly to the lines and grades shown on the drawings and staked in the field. Place riprap immediately following the installation of the filter fabric.
5. Riprap shall meet the specification for F.D.O.T. Class 2 Riprap.
6. Restore all disturbed areas in accordance with a vegetation plan submitted in advance and approved by the City Manager or designee.

C. Minimum Procedures for road stabilization are:

1. Clear roadbed and parking areas of all vegetation, roots and other objectionable material.
2. Provide surface drainage.
3. Spread 6 inch course of lime rock evenly over the full width of road and parking area and smooth to avoid depressions.
4. After grading, seed or resod all disturbed areas adjoining roads and parking areas conforming to existing conditions prior to construction.

3.2 SEDIMENTATION CONTROL

A. Install and maintain silt dams, traps, barriers, and appurtenances as required. Replace deteriorated hay bales and dislodged filter stone.

B. Minimum requirements for sediment trap:

1. Clear, grub and strip the area under the embankment of all vegetation and root mat.
2. Clear retention area to elevation as approved by the City Manager or designee.

3. Use fill material free of roots, woody vegetation and organic matter. Place fill in lifts not to exceed 9 inches and machine compact.
4. Construct dam and stone spillway to dimensions, slopes and elevations shown.
5. Ensure that the spillway crest is level and at least 18 inches below the top of the dam at all points.
6. Stone used for spillway section - Class "B" erosion control stone.
7. Stone used on inside spillway face to control drainage - #67 washed stone.
8. Extend stone outlet section to vegetated road ditch on zero grade with top elevation of stone level with bottom of drain.
9. Ensure that the top of the dam at all points is 6 inches above natural surrounding ground.
10. Stabilize the embankment and all disturbed area above the sediment pools as shown in the vegetation plan.

C. Minimum requirements for sediment fence:

1. Construct sediment fence on low side of topsoil stockpile to prevent sediment from being washed into the drainage system. Fence to extend around approximately 70 percent of the perimeter of the stockpile. Fence must be unobstructed so as to maintain a minimum of 75 percent of its design flow rate.
2. Locate posts down slope of fabric to help support fencing.
3. Bury toe of fence approximately 8 inches deep to prevent undercutting.
4. When joints are necessary, securely fasten the fabric at a support post with overlap to the next post.
5. Filter fabric shall be of nylon, polyester, propylene or ethylene yarn with extra strength – 50 pounds per linear inch (minimum) - and with a flow rate of at least 0.30 gallons per foot per minute. Fabric should contain ultraviolet ray inhibitors and stabilizers.
6. Post to be 4-inch diameter pine with a minimum length of 4 feet.

D. Minimum Requirement for stormwater facilities protection

1. Public and private stormsewer facilities, both on and offsite, shall be protected at all inlets affected by construction. Stormsewer facilities include streets, inlets, pipes, ditches, swales, canals, culverts, control structures, and detention/retention areas.
2. Grated drop inlets shall be rapped with filter fabric in a manner that allows removal of accumulated sediment from the fabric before removing the grate.
3. Curb inlets shall be protected from sediment, turbid water from stormwater or dewatering activities; also construction debris, concrete mix and rinsate, and any other pollution.
4. Stormwater runoff entering such stormsewer inlets and stormwater detention/retention facilities with a turbidity greater than 50 NTU shall be considered to be in non-compliance with these regulations.

3.3 PERFORMANCE

- A. Should any of the temporary erosion and sediment control measures employed fail to produce results which comply with the requirements of the State of Florida, immediately take steps necessary to correct the deficiency at no expense to the CITY. Sedimentation or turbid water violations to stormwater facilities on or offsite shall require the contractor to remove all sediment from the affected facilities.

END OF SECTION

SECTION 02300

HORIZONTAL DIRECTIONAL DRILLING

PART 1 GENERAL

1.1 DESCRIPTION OF REQUIREMENTS

- A. Provide all necessary tools, materials, labor, supervision and equipment to successfully complete the installation of directionally drilled piping as specified herein and shown in the City's Standard Detail Drawings.
- B. Furnish all items necessary to perform the horizontal directional drilling operation and construct the pipe to the lines and grade shown on the drawings.
- C. Use techniques of creating or directing a borehole along a predetermined path to a specified target location. Use mechanical and hydraulic deviation equipment to change the boring course and use instrumentation to monitor the location and orientation of the boring head assembly along a predetermined course.
- D. Accomplish drilling with fluid-assist mechanical cutting. Use a mixture of bentonite and water or polymers and additives. Use bentonite sealants and water to lubricate and seal the mini-tunnel. Use minimum pressures and flow rates during drilling operation as not to fracture the sub-grade material around and or above the bore.
- E. Utilize small diameter fluid jets to fracture and mechanical cutters to cut and excavate the soil as the head advances forward.
- F. Install an offset section of drill stem that causes the cutter head to turn eccentrically about its centerline when it is rotating for steering. When steering adjustments are required, rotate the cutter head offset section toward the desired direction of travel and advance the drill stem forward without rotation.
- G. Drill a 2-inch to 3-inch diameter pilot hole using the mobile drilling system launched from the surface at an inclined angle. Enlarge the pilot hole with reamers as required.

1.2 REFERENCE STANDARDS

- A. See Section 02620 for casing and carrier pipe diameter requirements.
- B. American Association of State Highway and Transportation Officials (AASHTO).
- C. Occupational Safety and Health Administration (OSHA).

1.3 DEFINITIONS

- A. CONTRACTOR's Construction Drawings shall be defined as drawings by which the CONTRACTOR proposes to construct, operate, build, etc., the referenced item. Submit Construction Drawings for the sole purpose of providing the sufficient details to verify that the CONTRACTOR's work in progress is in accordance with the intent of the design.

1.4 SUBMITTALS

- A. The ENGINEER will base the review of submitted details and data on the requirements of the completed work, safety of the work in regards to the public, potential for damage to public or private utilities and other existing structures and facilities, and the potential for unnecessary delay in the execution of the Work. Such review shall not be construed to relieve the CONTRACTOR in any way of his responsibilities under the contract. Do not commence work on any items requiring CONTRACTOR's Construction Drawings or other submittals until the drawings and submittals are reviewed and accepted by the ENGINEER.

- B. The CONTRACTOR shall:

1. Submit for review complete construction drawings and/or complete written description identifying details of the proposed method of construction and the sequence of operations to be performed during construction, as required by the method of tunnel excavation approved. The drawings and descriptions shall be sufficiently detailed to demonstrate to the ENGINEER that the proposed materials and procedures will meet the requirements of this specification. Submit arrangement drawings and technical specifications of the machine and trailing equipment (including any modifications), three-year experience record with this type of machine and a copy of the manufacturer's operation manual for the machine.
2. Submit CONTRACTOR's Construction Drawings for the following items.
 - a. Complete details of the equipment, methods and procedures to be used, including but not limited to primary lining installation, timing of installation in relation to the excavation plan and sequence, bulkheads, etc.
 - b. Grouting techniques, including equipment, pumping procedures, pressure grout types, mixtures and plug systems.
 - c. Method of controlling line and grade of excavation.
 - d. Details of muck removal, including equipment type, number, and disposal location.
 - e. Proposed contingency plans for critical phases and areas of directional drilling, including repair of any existing utilities damaged during construction.

- C. Quality Control Methods. Submit a description of quality control methods at least 10 days prior to the start of directional drilling to the ENGINEER. The submittal shall describe:
 - 1. Procedures for controlling and checking line and grade.
 - 2. Field forms for establishing and checking line and grade.
- D. Safety. Submit procedures including, but not limited to, monitoring for gases encountered.
- E. Submit hazardous chemical list as well as all MSDS and technical data sheets.

1.5 DESIGN CRITERIA

- A. Compatibility of Methods.
 - 1. The methods of excavation, lining, and groundwater control shall be compatible.

1.6 JOB CONDITIONS

- A. Safety Requirements
 - 1. Perform work in a manner to maximize safety and reduce exposure of men and equipment to hazardous and potentially hazardous conditions, in accordance with applicable safety standards.
 - 2. Whenever there is an emergency or stoppage of work which is likely to endanger the excavation or adjacent structures, operate a full work force for 24 hours a day, including weekends and holidays, without intermission until the emergency or hazardous conditions no longer jeopardize the stability and safety of the work.
- B. Air Quality.
 - 1. Conduct directional drilling operations by methods and with equipment, which will positively control dust, fumes, vapors, gases or other atmospheric impurities in accordance with applicable safety requirements.

1.7 PERMITS

- A. Obtain any and all other permits required for prosecution of the work.

PART 2 PRODUCTS

2.1 GENERAL

- A. Refer to Section 02620 for HDPE pipe material.

PART 3 EXECUTION

3.1 GENERAL

- A. The CONTRACTOR shall be responsible for his means and methods of directional drilling construction and shall ensure the safety of the work, the CONTRACTOR's employees, the public, and adjacent property, whether public or private.
- B. Obtain locations of all existing utilities within the horizontal directional drilling project area, whether shown on the plans or not, in coordination with the owners of such utilities. Be responsible for protection of such utilities from damage, and repair of any utilities damaged during or as a result of construction.
- C. Anticipate that portions of the drilled excavation will be below the groundwater table.
- D. Comply with all local, state and federal laws, rules and regulations at all times to prevent pollution of the air, ground and water.

3.2 EQUIPMENT

- A. Diesel, electrical, or air-powered equipment will be acceptable, subject to applicable federal and state regulations.
- B. Any method or equipment that the CONTRACTOR can demonstrate will produce the specified results will be considered.
- C. Employ equipment that will be capable of handling the various anticipated ground conditions. In addition, the equipment shall:
 - 1. Be capable of minimizing loss of ground ahead of and around the machine and providing satisfactory support of the excavated face at all times.
 - 2. Provide a system to indicate whether the amount of earth material removed is equivalent to that displaced by the advance of the machine such that the advance rate may be controlled accordingly.
- D. Provide adequate secondary containment for any and all portable storage tanks.

3.3 DIRECTIONAL DRILLING DATA

- A. Submit daily logs of construction location, progress and events, including observations on the following:

1. Location and elevation of significant soil strata boundaries and brief soil descriptions.
2. Jacking pressures and torsional forces, if applicable.

3.4 CONTROL OF THE TUNNEL LINE AND GRADE

A. Construction Control.

1. Establish and be fully responsible for the accuracy of control for the construction of the pipeline to be installed, including structures, tunnel line and grade.
2. Establish control points sufficiently far from the tunnel operation so as not to be affected by construction operations.
3. Maintain daily records of alignment and grade and submit three copies of these records to the ENGINEER. However, the CONTRACTOR remains fully responsible for the accuracy of his work and the correction of it, as required.
4. Check control for the bore alignment against an above ground undisturbed reference at least once each hour and once for each 50 feet of tunnel constructed, or more often as needed or directed by the ENGINEER.

3.5 INSTALLATION OF TRACKING/LOCATING WIRE

- #### A.
- Install all facilities such that their location can be readily determined by electronic designation after installation. For non-conductive installations, attach a minimum of two (2) separate and continuous conductive tracking (tone wire) materials, either externally, internally or integral with the product. Use either a continuous green-sheathed solid conductor copper wire line (minimum #12 AWG for external placement or minimum #14 AWG for internal placement in the conduit/casing) or a coated conductive tape. Conductors must be located on opposite sides when installed externally. Connect any break in the conductor line before construction with an electrical clamp, or solder, and coat the connection with a rubber or plastic insulator to maintain the integrity of the connection from corrosion. Clamp connections must be made of brass or copper and of the butt end type with wires secured by compression. Soldered connections must be made by tight spiral winding of each wire around the other with a finished length minimum of three (3) inches overlap. Tracking conductors must extend two (2) feet beyond the bore terminal points. Test conductors for continuity. Each conductor that passes must be identified as such by removing the last six (6) inches of the sheath. No deductions are allowed for failed tracking conductors. Conductor ends must be wound into a small coil and left for future attachment to isolation valve boxes.

3.6 DISPOSAL OF EXCESS MATERIAL

- A. Where such effort is necessary, cost for groundwater control during the course of the tunnel work shall be included in the unit contract price for the work.
- B. Dewatering required during the course of the project to lower water table, to remove standing water, surface drainage seepage, or to protect ongoing work against rising waters or floods shall be considered incidental to the work being performed.

END OF SECTION

SECTION 02400

RESTORATION BY SODDING OR SEEDING

PART 1 GENERAL

1.1 DESCRIPTION OF REQUIREMENTS

- A. The work in this section consists of furnishing all labor, material and equipment to restore all areas disturbed during construction to match preconstruction conditions. Establish a stand of grass within the areas disturbed by furnishing and placing grass sod where required, or by seeding and mulching areas not requiring sod.

1.2 REFERENCE DOCUMENTS

- A. Use materials conforming to the requirements of Florida Department of Transportation Standard Specifications for Road and Bridge Construction as follows:
 - 1. Section 570 – Grassing (by Seeding)
 - 2. Section 575 – Sodding
 - 3. Section 981 – Grassing and Sodding Materials
 - 4. Section 982 – Commercial Fertilizer
 - 5. Section 983 – Water for Grassing

1.3 SUBMITTALS

- A. Submit certifications and identification labels for all sodding supplied in accordance with General Conditions.

PART 2 PRODUCTS

2.1 SODDING

- A. Types: Sod may be of either St. Augustine or Argentine Bahia grass or as that disturbed, as established prior to construction. Use well matted sod with roots. When replacing sod in areas that are already sodded, use sod of the same type as the existing sod.
- B. Provide sod as required in accordance with Florida Department of Transportation Specifications 575 and 981. Furnish sod equal to and similar in type as that disturbed. Place and water in accordance with FDOT Specifications Section 575.

- C. Use sod in commercial-size rectangles, preferably 12-inch by 24-inch or larger, except where 6-inch strip sodding is called for.
- D. Use sod that is sufficiently thick to secure a dense stand of live grass. Use sod that is live, fresh and uninjured at the time of planting, having a soil mat of sufficient thickness adhering firmly to the roots to withstand all necessary handling. It shall be reasonably free of weeds and other grasses. Plant sod as soon as possible after being dug, and shade and keep moist from the time it is dug until it is planted.
- E. Handle sod in a manner to prevent breaking or other damage. Do not handle by dumping from trucks or other vehicles. Use care at all times to retain the native soil on the roots of each sod roll during stripping and handling. Sod that has been damaged by handling during delivery, storage or installation will be rejected.
- F. Swales: Place sod to the proper grade and cross section in all flow areas to ensure the design flow of water in the ditch. In excavating for the placement of sod, provide a minimum of 3 inches of undercut.

2.2 FERTILIZER

- A. Supply chemical fertilizer in suitable bags with the net weight certification of the shipment. Fertilizer shall be 12-8-8 and comply with Section 982 of the FDOT Standard Specification for Road and Bridge Construction.
- B. The numerical designations for fertilizer indicate the minimum percentages (respectively) of (1) total nitrogen, (2) available phosphoric acid and (3) water soluble potash, contained in the fertilizer.
- C. The chemical designation of the fertilizer shall be 12-8-8, with at least 50 percent of the nitrogen from a nonwater-soluble organic source. The nitrogen source may be a unreaformaldehyde source provided it is not derived from a waste product of the plastic industry.

2.3 EQUIPMENT

- A. Spread fertilizer uniformly at the specified rate.

2.4 NETTING

- A. Netting is fabricated of material similar to Geoscope Landscape Fabric or Engineer of Record approved equal.

2.5 SEEDING

- A. Seed all unpaved areas disturbed during construction that do not require sod. Complete all seeding in conformance with FDOT Specifications Sections 570 and 981. Mulch and fertilize the grassed areas shall be mulched and fertilized in accordance with FDOT Specifications.

- B. Provide mulch material free of weeds. Mulch shall be oat straw or rye, Pangola, peanut, Coastal Bermuda, or Bahia grass hay.
- C. All seeds must have been tested within 6 months of planting. Submit a seed bag tag with final payment requests from each type or mixture of seed used. Seed mixtures shall be chosen to insure the development of the planting during the season or planting, and to insure future growth and permanence.

2.6 TOPSOIL

- A. Topsoil stockpiled during excavation may be used. If additional topsoil is required to replace topsoil removed during construction, it shall be obtained off site at no additional cost to the CITY. Topsoil shall be fertile, natural surface soil, capable of producing all trees, plants, and grassing specified herein.

2.7 MULCH

- A. Furnish small grain straw mulch. Apply mulch at a rate of 1.5 tons per acre, corresponding to a depth not less than 1-inch or more than 3-inches according to texture and moisture content of mulch material. Apply asphalt emulsion at a rate of 150 gallons per ton of straw to anchor the straw applied.

2.8 WATER

- A. It is the CONTRACTOR'S responsibility to supply all water to the site, as required during seeding and sodding operations and through the maintenance period and until the work is accepted. Make whatever arrangements may be necessary to ensure an adequate supply of water to meet the needs for the work. Furnish all necessary hose, equipment, attachments, and accessories for the adequate irrigation of lawns and planted areas as may be required. Water shall be suitable for irrigation and free from ingredients harmful to plant life.

2.9 SOIL IMPROVEMENTS

- A. Apply lime at the rate of 1 to 1.5 tons per acre. Apply 10-10-10 commercial fertilizer at the rate of 800 pounds per acre and work well into the top inch of topsoil.

PART 3 EXECUTION

3.1 SOD BED PREPARATION

- A. Clear areas to be sodded and/or seeded of all rough grass, weeds, and debris, and bring soil to an even grade.
- B. Thoroughly till soil to a minimum 4-inch depth.
- C. Bring area to proper grade, free of sticks, stones, or other foreign matter over 1-inch in diameter or dimension. The surface shall conform to finish grade, less the

thickness of sod, free of water-retaining depressions, the soil friable and of uniformly firm texture.

3.2 INSPECTION

- A. Verify that soil preparation and related preceding work has been completed.
- B. Do not start work until conditions are satisfactory.

3.3 SOD HANDLING AND INSTALLATION

- A. During delivery, prior to planting, and during the planting of sod areas, protect the sod panels at all times from excessive drying and unnecessary exposure of the roots to the sun. Stack sod during construction and planting so as not to be damaged by sweating or excessive heat and moisture.
- B. After completion of soil conditioning as specified above, lay sod panels tightly together so as to make a solid sodded lawn area. On mounds and other slopes, the long dimension of the sod shall be laid perpendicular to the slope. Immediately following sod laying, roll the lawn areas with a lawn roller customarily used for such purposes, and then thoroughly water.
- C. Place sod at all areas where sod existed prior to construction, on slopes of 3 horizontal to 1 vertical (3:1) or greater, in areas where erosion of soils will occur, and as directed by the ENGINEER. On areas where the sod may slide, due to height and slope, the ENGINEER may direct that the sod be pegged, with pegs driven through the sod blocks into firm earth, at suitable intervals.

3.4 USE OF SOD ON ROADWAY PROJECTS

- A. In accordance with the FDOT District One Standard Practice, establish permanent green grass at the completion of roadway construction and maintenance work. The following shall apply to all restoration involving State or City roadways:
 - 1. Use sod in lieu of seed and mulch on all roadways with urban (raised curb) typical sections.
 - 2. One inch water per week shall be required for a minimum of four (4) consecutive weeks for the purpose of establishing sod. This can be waived during construction, if and only if there is a minimum of one inch of rain per week on all sod on the project.
 - 3. Placed sod on slopes 1:3 or greater. Stake sod on slopes 1:2 or greater.
 - 4. On all curves with superelevation, place sod from the edge of pavement to the toe of slope on the downhill side(s) for the entire length of the superelevated roadway. On multi-lane divided rural facilities, place sod in the median and on the inside of the curve in the superelevated areas. This does not apply to reverse crowns.

5. Use sod for all projects with less than 10,000 square yards grass area.
6. On tangent sections and on outside of curves, use sod between the edge of pavement and a point 4 feet beyond the shoulder break point.
7. The entire width of sod should not exceed 15 feet from the edge of pavement.
8. Sod is to be used to eliminate narrow seed and mulch areas. Sod areas less than 6 feet in width.
9. Place sod around drainage structures as per the standard Indexes and extend to the edge of pavement.

3.5 SOD MAINTENANCE

- A. The sod shall produce a dense, well-established growth. Repair and re-sod all eroded or bare spots until project acceptance. Repair to sodding shall be accomplished as in the original work.
- B. Perform sufficient watering to maintain adequate moisture for optimum development of the seeded and sodded areas, and no less than 1.5 inches of water per week for at least 2 weeks. Thereafter, apply water for a minimum of 60 days as needed until the sod takes root and starts to grow or until final acceptance, whichever is latest.

3.6 GUARANTEE

- A. Guarantee a live and vigorous stand of permanent grass at the time of acceptance of the work consisting of 80 percent minimum coverage for seeded grass areas with no bare spots greater than 5 square feet.

3.7 CLEANING

- A. Remove debris and excess materials from the project site.

END OF SECTION

SECTION 02523

SIDEWALKS, DRIVEWAYS AND CURBS

PART 1 GENERAL

1.1 SUMMARY

- A. Section Includes: Sidewalks, sidewalk ramps, driveways, curbs and drive approaches complete with concrete materials, concrete curing compounds, joint materials, field quality control and appurtenances.

1.2 REFERENCES

- A. Reference Standards: Conform the work for this Section to the applicable portions of the following standard Specifications.
 - 1. ASTM - American Society of Testing and Materials
 - 2. AASHTO - American Association of State Highway and Transportation Officials
 - 3. FDOT - Florida Department of Transportation - Standard Specifications for Road and Bridge Construction.
 - 4. FAC - Florida Accessibility Code.
 - 5. ADAAG - American with Disabilities Act Accessibility Guidelines
 - 6. UFAS - Uniform Federal Accessibility Standards

1.3 SUBMITTALS

- A. Reports: Written permission for the use of all local disposal sites. Furnish copies to the ENGINEER.
- B. Test Reports:
 - 1. Thickness and Compressive Strength: Provide the ENGINEER with two (2) certified copies of the test results. Perform the tests by a laboratory approved by the ENGINEER.

1.4 JOB CONDITIONS

A. Environmental Requirements:

1. Temperature: Comply with the requirements for concrete installation due to outside ambient air temperatures as specified under Article 3.3.I of this Section.

B. Protection:

1. Protection Against Rain: Comply with the requirements for protecting new work against damage from Rain, as specified under Article 3.3.I of this Section.

PART 2 PRODUCTS

2.1 MATERIALS

- A. Concrete: Use 2,500-psi concrete except as modified herein.
- B. Ready-Mixed Concrete: Use ready-mixed concrete that conforms to ASTM C94, Alternate 2.
- C. Water: Use water for mixing and curing concrete reasonably clean and free from oil, salt, acid, alkali, chlorides, sugar, vegetable, or other substances injurious to the finished product. Waters from sources approved by the local Health Department as potable may be used without test. Test water requiring testing in accordance with the current Method of Test for Quality of Water to be Used in Concrete, AASHTO T-26.
- D. Concrete Curing Compounds: Use white membrane curing compound for curing concrete that conforms to AASHTO M148, Type 1 clear, or Type 2 white per FDOT Section 925.
- E. Premolded Joint Filler: Use fiber joint filler that conforms to ASTM D1751. Use filler of the thickness, as specified herein, or as directed by the ENGINEER.
- F. Steel Hook Bolts: Use hook bolts that conform to ASTM A706, or for Grade 60 of ASTM A615, A616, or A617. Use 5/8-inch diameter hook bolts self-tapping.
- G. Joint Sealant: Use hot-poured type joint sealant that conforms to ASTM D1190.

PART 3 EXECUTION

3.1 CONTRACTOR'S VERIFICATION

- A. Excavation and Forming: Prior to the installation of any concrete, examine the excavation and forms for the proper grades, lines, and levels required to receive

the new work. Ascertain that all excavation and compacted subgrades are adequate to receive the concrete to be installed.

1. Correct all defects and deficiencies before proceeding with the work.

B. Existing Improvements: Investigate and verify location of existing improvements to which the new work is to be connected.

1. Making necessary adjustment in line and grade to align the new work with the existing improvements must be approved by the ENGINEER prior to any change.

3.2 PREPARATION

A. Forms: Use wood or metal forms, straight and free from warp, clean, and sufficient strength to resist springing during the process of depositing concrete against them.

1. Use full depth of the concrete forms.

3.3 INSTALLATION

A. Sidewalks, Sidewalk Ramps, Driveways and Driveway Approaches: Construct all sidewalks and sidewalk ramps four (4) inches thick except at driveways and alleys. Construct thickness of the sidewalks six (6) inches at driveways and alleys. Construct sidewalks five (5) feet wide unless otherwise noted on the Plans, and slope 1/4-inch per foot towards the center of the road. Normally, sidewalks will be located within the right-of-way, parallel the property lines, at a distance of 1-foot from the property line.

1. Construct alleys, driveways and approaches six (6) inches thick. Construct the width of the driveways and driveway approaches as shown on the Plans or as directed by the ENGINEER.

2. Asphalt sidewalks/bikeways/access paths/paths where authorized shall be constructed to specifications established by the City, but shall be no less than six inches (6") of compacted limerock base over a stabilized subgrade, primed and surfaced with a minimum of one inch (1") of Type II asphaltic concrete.

B. Removal of Existing Curb for Sidewalk Ramps and Driveway Approaches: Conform construction of sidewalk ramps within street intersections where curbed pavement existing to the current FDOT Roadway and Traffic Design Standards.

1. Saw cut, to full depth of pavement, and remove a minimum of an 18-inch wide curb and gutter section where there is no proper curb drop for the sidewalk ramp or driveway approach. When mountable curbs are present, remove a 24-inch wide curb and gutter section for the construction of sidewalk ramps, as specified above.

2. Remove curb and gutter as determined by the ENGINEER in the field but remove curb and gutter at least as wide as the proposed sidewalk ramp plus 1-foot on each side.
 3. Replace the removed curb and gutter section with materials, equal to what was removed and seal joint with hot poured rubber asphalt.
- C. Install 5/8-inch diameter self-tapping hook bolts, in the existing concrete pavement as indicated on the Plans prior to placing concrete for the removed curb and gutter section.
- D. Placement of Forms: Use wood forms, straight and free from warp, of nominal depth for sidewalk sections less than 25 feet in length.
1. Stake forms to line and grade in a manner that will prevent deflection and settlement.
 2. When unit slab areas are to be poured, place slab division forms such that the slab division joints will be straight and continuous.
 3. Set forms for sidewalk ramps to provide a grade toward the centerline of the right-of-way in accordance with current standards. Use a uniform grade, except as may be necessary to eliminate short grade changes.
 4. Oil forms before placing concrete. Leave forms in place at least 12 hours after the concrete is placed. Place forms ahead of the pouring operations to maintain uninterrupted placement of concrete.
 5. The use of slip form pavers can be allowed when approved by the ENGINEER in lieu of the construction system described above.
- E. Joints: Construct transverse and longitudinal expansion and plane-of-weakness joints at the locations specified herein, or as indicated on the Plans or as directed by the ENGINEER.
1. Place the transverse expansion joints for the full width and depth of the new work. Use transverse expansion joints placed against an existing pavement a minimum of six (6) inches deep but no less than the thickness of the concrete being placed.
 2. Conform longitudinal expansion joints to the requirements as transverse expansion joints.
 3. Construct joints true to line with their faces perpendicular to the surface of the sidewalk. Install the top slightly below the finished surface of the sidewalk. Construct transverse joints at right angles to the centerline of the sidewalk and construct longitudinal joints parallel to the centerline or as directed by the ENGINEER.

4. Place transverse expansion joints, 1/2-inch thick, through the sidewalk at uniform intervals of not more than 50 feet and elsewhere as shown on the Plans, or as directed by the ENGINEER.
 5. Place expansion joints, 1/2-inch thick, between the sidewalk and back of abutting parallel curb, buildings or other rigid structures, concrete driveways and driveway approaches. When directed by the ENGINEER, place the expansion joint between sidewalks and buildings 1-foot from the property line and parallel to it.
 6. Form plane-of-weakness joints every five (5) feet. Form joints by use of slab divisions forms extending to the full depth of the concrete or by cutting joints in the concrete, after floating, to a depth equal to 1/4 the thickness on the sidewalk. Construct cut joints not less than 1/8-inch or more than 1/4-inch in width and finish smooth and at right angles to the centerline on the sidewalk.
- F. Placing and Finishing Concrete: Place all concrete on a prepared unfrozen, smooth, leveled, rolled and properly compacted base. Place concrete on a moist surface with no visible water present.
1. Deposit the concrete, in a single layer to the depth specified. Spade or vibrate and compact the concrete to fill in all voids along the forms and joints. Strike off the concrete with a strike board until all voids are removed and the surface has the required grade and cross section as indicated on the Plans, or as directed by the ENGINEER.
 2. Float the surface of the concrete just enough to produce a smooth surface free from irregularities. Round all edges and joints with an edger having a 1/4-inch radius.
 3. Broom the surface of sidewalks, driveways and approaches to slightly roughen the surface.
 4. Texture the surface of the sidewalk ramps with a coarse broom transversely to the ramp slope, and coarser roughen than the remainder of the sidewalk. Contract the ramp slope in color (using a brick-red dye or approved equal) from the remainder of the sidewalk. Comply with minimum color contract and slope requirements from FAC, UFAS, ADAAG, Local Government Standards, or as directed by the ENGINEER.
- G. Curing: After finishing operations have been completed and immediately after the free water has left the surface, completely coat and seal the surface of the concrete (and sides if slip-forming is used) with a uniform layer of white membrane curing compound. Do not thin the curing compound. Apply the curing compound at the rate of one gallon per 200 square feet of surface.
- H. Barricades: Place suitable barricades and lights around all newly poured sidewalks, sidewalk ramps, driveways, driveway approaches and curb and gutter

sections in order to protect the new work from damage from pedestrians, vehicles and others until the concrete has hardened.

1. Leave barricades in place for a minimum of two (2) days, except for driveway approaches and curb and gutter sections. Leave barricades in place for a minimum of three (3) days.
2. Remove and replace any concrete that suffers surface or structural damage at no additional cost.

I. Protection:

1. Against Rain: Protect new concrete from the effects of rain before the concrete has sufficiently hardened. Have available on the job site at all times enough burlap or 6-mil thick polyurethane film to cover and protect one day's work. Stop work and cover completed work when rain appears eminent. As soon as the rain ceases, uncover the concrete and burlap drag the surface where necessary. Apply curing compound to any areas where the compound has been disturbed or washed away.
2. Against Cold Weather: If concrete is placed between December 15 and February 15, have available on the site sufficient amount of clean, dry straw or hay to cover one (1) day's production. If the temperature reaches 40 degrees F and is falling, place the hay or straw 12 inches thick, immediately after the curing compound is applied.
3. Concrete Temperature Limitations: Do not place concrete when the temperature of the concrete at the point of placement is above 90 degrees F.

J. Cleanup: After the concrete has gained sufficient strength, but no sooner than within 12 hours, remove the fixed forms and backfill the spaces on both sides with sound earth of topsoil quality. Compact, level and leave backfill in a neat condition.

K. Gutters and Curbs: Construct gutters and curbs in accordance with Section 520 FDOT Standard Specifications for Road and Bridge Construction, latest edition, including supplements.

3.4 FIELD QUALITY CONTROL

A. Concrete Delivery Ticket: Use a ticket system for recording the transportation of concrete from the batching plant to point of delivery. Issue this ticket to the truck operator at the point of loading and give to the ENGINEER upon delivery.

B. Concrete Delivery Rejection: Remove concrete not permitted for inclusion in the work by the ENGINEER from the site. Rejection of concrete will be determined through Field Quality Control and elapsed time from mixer charging to delivery.

- C. Concrete Testing at Placement: Perform tests of each batch of concrete delivered, each 50 cubic yards, or whenever consistency appears to vary. The sampling and testing of slump, air content and strength will be performed at no cost to the CITY.
1. Sampling: Secure composite samples in accordance with the Method of Sampling Fresh Concrete, ASTM C172.
 2. Slump Test: Test in accordance with ASTM C143. Use the least slump possible consistent with workability for proper placing of the various classifications of concrete.
 - a. Place structural concrete for walls and slabs, by means of vibratory equipment, with a slump of four (4) inches.
 - b. A tolerance of up to 1-inch above the indicated maximum will be allowed for individual batches provided the average for all batches or the most recent ten (10) batches tested, whichever is fewer, does not exceed the maximum limit.
 3. Air Content: Determine air content of normal weight concrete in accordance with Method of Test for Air Content of Freshly Mixed Concrete by the Pressure Method, ASTM C23 1, or by the volumetric method, ASTM C 173, for each strength test.
 4. Compressive Strength: Make two (2) strength tests of three (3) samples each for each 50 cubic yards, or fraction thereof, of each mix design of concrete placed in any one (1) day.
 - a. Handling Samples: Mold and cure three (3) specimens from each sample in accordance with Method of Making and Curing Concrete Test Specimens in the Field, ASTM C31. Record any deviations from the requirements of this Standard in the test report.
 - b. Testing: Test specimens in accordance with Method of Test for Compressive Strength of Cylindrical Concrete Specimens, ASTM C39. Test one (1) specimen at seven (7) days for information and test two (2) at 28 days for acceptance. Use the average of the strengths of the two (2) specimens tested at 28 days. Discard results if one (1) specimen in a test manifests evidence of improper sampling, molding or testing, and use the strength of the remaining cylinder. Should both specimens in test show any of the above defects, discard the entire test.
 - c. Acceptance of Concrete: The strength level of the concrete will be considered satisfactory so long as the averages of all sets of three consecutive strength test results equal or exceed the specified 28-day strength and no individual strength test results falls below the specified

28-day strength by more than 500 psi. If the strength test is not acceptable, perform further testing to qualify the concrete.

- d. Concrete Temperature: Determine the temperature of concrete sample for each strength test.
- D. Reductions due to deficiencies in thickness or compressive strength are additive, that is, if an area is deficient by 3/8 inch and under strength by 200 psi, the total reduction is 20% plus .02% or .40% reduction.

END OF SECTION

SECTION 02530

GROUNDWATER CONTROL FOR OPEN CUT EXCAVATION

PART 1 GENERAL

1.1 DESCRIPTION OF REQUIREMENTS

- A. This section provides for furnishing all permits, labor, materials, equipment, power and incidentals for performing all operations necessary to dewater, depressurize, drain and maintain excavations as described herein and as necessary for installation of pipeline and appurtenances. Included are installing, maintaining, operating and removing dewatering systems and other approved devices for the control of surface and groundwater during the construction of pipelines and appurtenances, open cut excavations, directional drilling. Included also are protecting work against rising waters and repair of any resulting damage.

1.2 CONTRACTOR'S RESPONSIBILITY

- A. It is the sole responsibility of the CONTRACTOR to identify groundwater conditions and to provide any and all labor, material, equipment, techniques and methods to lower, control and handle the groundwater as necessary for his construction methods and to monitor the effectiveness of this installed system and its effect on adjacent facilities.
- B. Operate, maintain and modify the system(s) as required to conform to these Specifications. Upon completion of the Construction, remove the system(s). The development, drilling and abandonment of all wells used in the dewatering system shall comply with regulations of the Florida Department of Environmental Protection and the governing Water Management District.
- C. Assume sole responsibility for dewatering systems and for all loss or damage resulting from partial or complete failure of protective measures and any settlement or resultant damage caused by the dewatering operation.

1.3 PLANS AND OTHER DATA TO BE SUBMITTED

- A. Prior to commencement of work, submit complete drawings, details and layouts showing the proposed dewatering plans in sufficient detail (i.e., general arrangements, procedures to be used, etc.) so as to allow the ENGINEER to evaluate the proposed dewatering systems. Include the following, as required by the CONTRACTOR's proposed operation:
 - 1. Names of equipment suppliers.
 - 2. Names of installation subcontractors.
 - 3. Plan for dewatering at access shafts and control of surface drainage.

4. Plan for dewatering for cut-and-cover excavations, or otherwise controlling groundwater.
5. Eductor system layout and details.
6. Deep well locations and details.
7. Well point system layout and details.
8. Installation reports for eductors, deep wells and well points.
9. Water level readings from piezometers or observation wells, and method of maintenance.
10. As part of his request for approval of a dewatering system, demonstrate the adequacy of the proposed system and well point filler sand by means of a test installation.

PART 2 PRODUCTS

- A. Select equipment including but not limited to pumps, eductors, well points and piping and other material desired.

PART 3 EXECUTION

3.1 DEWATERING EXCAVATIONS

- A. Obtain all permits necessary for dewatering operations and file a copy of all such permits with the City Manager or designee and ENGINEER.
- B. Furnish, install, operate and maintain all necessary equipment for dewatering the various parts of the Work and for maintaining free of water the excavations and such other parts of the Work as required for Construction operations. Dewatering system should provide for continuous operation including nights, weekends, holidays, etc. Provide appropriate backup if electrical power is primary energy source for dewatering system.
- C. Continue dewatering in all required areas, until the involved work is completed, including the placing and compaction of backfill materials.
- D. Provide a uniform diameter for each pipe drain run constructed for dewatering. Remove the pipe drain when it has served its purpose. If removal of the pipe is impractical, provide grout connections at 50-foot intervals, and fill the pipe with clay grout or cement and sand grout when the pipe has served its purpose.

3.2 DEWATERING TRENCH

- A. Dewatering Excavation Plan: Develop an excavation dewatering plan that considers site ground and groundwater conditions, the type and arrangement of the equipment to be used and the proper method of groundwater disposal. Prepare the dewatering plan before beginning excavations below groundwater. Maintain one copy of the dewatering plan at the project site to be available for inspection while all dewatering operations are underway.
- B. Do not lay any pipeline in a trench in the presence of water. Remove all water from the trench sufficiently ahead of the pipeline placing operation. The ENGINEER shall have full and final authority to require dewatering of the trench to ensure a dry, firm bed on which to place the pipeline. As a minimum, maintain water levels at least 6 inches below the bottom of the trench. Continue to dewater trench until trench backfilling operations have been completed.
 - 1. If a dry trench bottom has not been obtained with usual methods of trench dewatering, then the order to excavate below grade and place sufficient select fill material, crushed stone, or 2500 psi concrete over the trench bottom may be given.
 - 2. If all efforts fail to obtain a stable dry trench bottom, and it is determined that the trench bottom is unsuitable for pipe foundation, present an alternate system for stabilization to the Engineer of Record for approval by the City Manager or designee on a case-by-case basis.
- C. Removal of water may be accomplished by pumping in connection with well point installation as the particular situation may warrant.
- D. If the soils encountered at the trench grade are suitable for the passage of water, without destroying the sides or utility foundation of the trench, sumps may be provided at intervals at the side of the main trench excavation. Use pumps to lower the water level by taking their suction from said sumps.

3.3 REQUIREMENTS FOR EDUCTOR, WELL POINTS OR DEEP WELLS

- A. Eductor, well points or deep wells, where used, must be furnished, installed and operated by a reputable CONTRACTOR regularly engaged in this business, and approved.

3.4 DURATION OF DRAINAGE

- A. In areas where concrete is to be placed, carry out the foundation drainage so that the required lowering of the water table will be effected prior to placing reinforcing steel. Keep foundation beds free from water to the same levels for 3 days after placing concrete.

3.5 PROTECTION OF STRUCTURES

- A. Provide adequate protection for all structures to avoid damage to concrete.

- B. Operate construction equipment over completed concrete slabs or structures only with approval. Rubber tire equipment heavier than 5 tons and crawlers heavier than 7 tons will require adequate load spreading by sand fill or other means.

3.6 DISCHARGE OF WATER

- A. Do not discharge pumped drainage water into the sanitary sewer system or inhibit pedestrian or vehicular traffic with the groundwater control system.
- B. Discharge pumped drainage water into the storm sewer system or drainage ditch by direct means (i.e., discharge hose to inlet, burying header, etc.). Monitor the discharged water to determine that soil particles are not being removed.
- C. Conform all discharge to current South Florida Water Management District and City Department of Stormwater, Streets and Traffic rules, regulations, procedures and regulatory permits and if discharged into receiving waters, shall not exceed 29 N.T.U.'s above background.

3.7 REPAIR OF DAMAGE

- A. Assume full responsibility for all loss and damage due to flooding, rising water or seepage resulting from dewatering operations in any part of the work. Repair any damage to partially completed work from these or other causes, including the removal of slides, repair of foundation beds and performance of any other work necessitated by lack of adequate dewatering or drainage facilities.

END OF SECTION

SECTION 02575

REPAIR AND RESTORATION OF PAVEMENT, SIDEWALK, ETC.

PART 1 GENERAL

1.1 SCOPE OF WORK

- A. Furnish all labor, materials, equipment, and incidentals required and remove and replace pavements over trenches excavated for installation of pipelines as shown on the drawings and/or specified herein.

1.2 GENERAL

- A. Repair all damage, as a result of work under this project, done to existing pavement, driveways, paved areas, curbs and gutters, sidewalks, shrubbery, grass, trees, fences, utility poles, utility pipe lines, conduits, drains, catch basins, or stabilized areas or driveways and including all obstructions not specifically named herein, in a manner satisfactory to the ENGINEER. Include in the bid price, the furnishing of all labor, materials, equipment, and incidentals necessary for the cutting, repair, and restoration of the damaged areas unless pay items for specific types of repair are included in the Bid Form.
- B. Keep the surface of the backfilled area of excavation in a safe condition and level with the remaining pavement until the pavement is restored in the manner specified herein. All surface irregularities that are dangerous or obstructive to traffic are to be removed. Conform the repair to applicable CITY or State requirements for pavement repair and as described herein.
- C. The CITY reserves the right to require soil bearing or loading tests or materials tests, should the adequacy of the foundation or the quality of materials used be questionable. Costs of these tests shall be the responsibility of the CITY, if found acceptable; the costs of all failed tests shall be the responsibility of the CONTRACTOR.
- D. Make all street and road repair in accordance with the details indicated on the drawings and in accordance with the applicable requirements of these Specifications and meeting the permit requirements and approval of the governing Department of Transportation agencies.
- E. Replace pavement or roadway surfaces cut or damaged in equal or better condition than the original, including stabilization, base course, surface course, curb and gutter or other appurtenances. Obtain the necessary permits prior to any roadway work. Provide advance notice to the appropriate authority, as required, prior to construction operations.
 - 1. Roadway Restoration (within City Department of Transportation & Engineering jurisdiction): Perform restoration in accordance with the

requirements set forth in the “Right-of-Way Utility Construction Activities Policy” and these Standards. Obtain prior approval from the City Stormwater, Streets and Traffic Department for the materials of construction and method of installation, along with the proposed restoration design for items not referred or specified herein.

- a. Where existing pavement is to be removed, mechanical saw cut the surface prior to trench excavation, leaving a uniform and straight edge parallel or perpendicular to the roadway centerline with minimum disturbance to the remaining adjacent surfacing. Provide minimal width of cut for this phase of existing pavement removal. Limerock from a FDOT approved pit shall be on the job site during open cutting. When the specified compacted limerock base is greater than six inches (6”), the base shall be constructed in two (2) or more lifts.
 - b. Immediately following the specified backfilling and compaction, apply a temporary sand seal coat surface to the cut areas. For this temporary surfacing, provide a smooth traffic surface with the existing roadway and maintain until final restoration. Ensure that surfacing remains for a minimum of ten (10) days in order to assure the stability of the backfill under normal traffic conditions. Thirty (30) days following this period and prior to sixty (60) days after application: remove the temporary surfacing and perform final roadway surface restoration.
 - c. In advance of final restoration, remove the temporary surfacing and mechanically saw the existing pavement straight and clean to the stipulated dimensions, if needed. Following the above operation, proceed immediately with final pavement restoration in accordance with the requirements set forth by the City.
 - d. No layer shall be greater than two inches (2”) when compacted. Where a surface course is constructed to a thickness greater than two inches (2”), construct it in approximately equal layers, each not exceeding two inches (2”).
 - e. Where necessitated by traffic conditions, lay mixture in strips in such manner as to provide for the passage of traffic. Where the road is closed to traffic, mixture may be laid to the full width, by machines traveling in parallel.
2. Roadway Restoration (outside City jurisdiction) – Conform work within the rights-of-way of public thoroughfares which are not under jurisdiction of City to the requirements of the Governmental agency having jurisdiction or the Florida Department of Transportation, if no governmental agencies have jurisdiction. Work within State Highway right-of-way shall be in full compliance with all requirements of the permit drawings, and to the satisfaction of the Florida Department of Transportation.

1.3 QUALITY ASSURANCE

- A. Applicable provisions of the latest version of the Florida Department of Transportation "Standard Specifications for Road and Bridge Construction", and Supplemental Specifications hereunder govern the work under this Section. The Florida Department of Transportation will hereafter be referred to as FDOT.

PART 2 PRODUCTS

2.1 MATERIALS

- A. Use materials for flexible base pavement and base course as specified in the latest version of the Florida Department of Transportation "Standard Specifications for Road and Bridge Construction".

PART 3 EXECUTION

3.1 CUTTING PAVEMENT

- A. Cut and remove pavement to straight edges, 6 inches outside each edge of proposed trench to avoid pavement damage during installation of the new pipelines and appurtenances and for making connections to existing pipelines.
- B. Before removing pavement, mark the pavement for cuts nearly paralleling pipelines and existing street lines. Cut asphalt pavement along the markings with a jackhammer, rotary saw, or other suitable tool.
- C. No pavement shall be machine pulled until completely broken and separated along the marked cuts.
- D. The pavement adjacent to pipeline trenches shall neither be disturbed nor damaged. If the adjacent pavement is disturbed or damaged, irrespective of cause, remove the damaged pavement replace it at CONTRACTOR's expense.

3.2 GENERAL RESTORATION

- A. Restore, replace or rebuild existing street paving, driveways, sidewalks, etc., using the same type of construction as was in the original. Be responsible for restoring all such work, including sub-grade and base courses where present. Obtain and pay for such local or other governmental permits as may be necessary for the opening of streets. Meet any requirements other than those herein set forth which may affect the type, quality and manner of carrying on the restoration of surfaces by reason of jurisdiction of such governmental bodies.
- B. In all cases, maintain, without additional compensation, all permanent replacement of street paving, done by him under this Contract until accepted by the City Manager or designee, including the removal and replacement of such

work wherever surface depressions or underlying cavities result from settlement of trench backfill.

- C. Complete all the final resurfacing or re-paving of streets or roads, over the excavations and relay paving surfaces of roadbed that have failed or been damaged prior to acceptance by the City Manager or designee. Conform backfilling of trenches and the preparation of sub-grades to the requirements of Section 02223.
- D. Do all re-paving or resurfacing in accordance with Florida Department of Transportation Specifications, to which the following requirement of trench backfill will be added: Where pipeline construction crosses paved areas such as streets, backfill the top 24 inches of trench below the road bases or concrete slabs with compacted A-4 or better material that will provide a bearing value of not less than 75 when tested by the Florida Department of Transportation Soil Bearing Test Methods. All open cuts through paved areas shall be repaved within 48 hours at least with cold patch.

3.3 PRIME AND TACK COATS

- A. Apply bituminous prime and tack coats on the previously prepared base course in accordance with Section 300 of the FDOT Specifications.

3.4 WEARING COURSE

- A. Use plant-mixed hot bituminous pavement to the thickness indicated in the drawings conforming to Type III asphaltic concrete in accordance with Section 333 of the FDOT Specifications. The requirements for plant and equipment are specified in Section 320 and the general construction requirements for asphaltic concrete pavement are contained in Section 330 of the FDOT specifications.

3.5 TESTING

- A. Perform all field-testing at an independent laboratory employed by the CITY. Test and certify all materials by the producer. Repeat tests of sub-grade or base not meeting specified compaction at the CONTRACTOR's expense.

3.6 MISCELLANEOUS RESTORATION

- A. Restore sidewalks, cut or damaged by construction, in full sections or blocks to a minimum thickness of four inches. Restore concrete curb or curb gutter to the existing height and cross section in full sections or lengths between joints. Concrete shall be as specified on the drawings. Restore grassed yards, shoulders and parkways to match the existing sections with grass seed or sod of a type matching the existing grass.

3.7 CLEANUP

- A. After all repair and restoration or paving has been completed, remove all excess asphalt, dirt, and other debris from the roadways. Check and clean all existing storm sewers and inlets of any construction debris.

END OF SECTION

NO TEXT FOR THIS PAGE

SECTION 02600

**FUSIBLE POLYVINYLCHLORIDE PIPE FOR INSTALLATION BY HORIZONTAL
DIRECTIONAL DRILL (HDD)**

PART 1 –GENERAL

1.01 DESCRIPTION

A SCOPE

1. This section specifies fusible polyvinylchloride pipe, including standards for dimensionality, testing, quality, acceptable fusion practice, safe handling, storage and installation of the pipe by horizontal directional drilling, directional boring, or guided boring.

B REQUIREMENTS:

1. Contractor shall provide fusible polyvinylchloride pipe conforming to all standards and procedures, and meeting all testing and material properties as described in this specification for installation by horizontal directional drilling.
2. Contractor shall be responsible for all installation processes and procedures associated with the installation by horizontal directional drilling in accordance with this specification.

C PIPE DESCRIPTION

1. Pipe Supplier shall furnish fusible polyvinylchloride pipe conforming to all standards and procedures, and meeting all testing and material properties as described in this specification.
2. Pipe shall conform to the following dimensionality and general characteristics table:

<u>Pipe Description</u>	<u>Nominal Diameter (in.)</u>	<u>DR</u>	<u>Color</u>	<u>Pressure Class (psi)</u>	<u>Required Inner Diameter (in.)</u>

1.02 QUALITY ASSURANCE

A REFERENCES:

1. This section contains references to the following documents. They are a part of this section as specified and modified. Where a referenced document contains references to other standards, those other standards are included as references under this section as if referenced directly. In the event of a conflict between the requirements of this section and those

2. Unless otherwise specified, references to documents shall mean the documents in effect at the time of construction. If referenced documents have been discontinued by the issuing organization, references to those documents shall mean the replacement documents issued or otherwise identified by that organization or, if there are no replacement documents, the last version of the document before it was discontinued.
3. Where document dates are given in the following listing, references to those documents shall mean the specific document version associated with that date, regardless of whether the document has been superseded by a version with a later date, discontinued or replaced.

Reference	Title
ANSI/AWWA C110/A21.10	American National Standard for Ductile-Iron and Gray-Iron Fittings, 3-inch through 48-inch, for Water and Other Liquids
ANSI/AWWA C111/A21.11	American National Standard for Rubber-Gasket Joints for Ductile-Iron Pressure Pipe and Fittings
AWWA C605	Standard for Underground Installation of Polyvinyl Chloride (PVC) Pressure Pipe and Fittings for Water
AWWA C651	Standard for Disinfecting Water Mains
AWWA C900	Standard for Polyvinyl Chloride (PVC) Pressure Pipe and Fabricated Fittings, 4 in. through 12 in. (100mm through 300mm), for Water Distribution
AWWA C905	Standard for Polyvinyl Chloride (PVC) Pressure Pipe and Fabricated Fittings, 14 in. through 48 in. (350mm-1200mm), for Water Distribution
AWWA M23	AWWA Manual of Supply Practices PVC Pipe—Design and Installation, Second Edition
ASTM C923	Standard Specification for Resilient Connectors Between Reinforced Concrete Manhole Structures, Pipes and Laterals
ASTM D1784	Rigid Poly (Vinyl Chloride) (PVC) Compounds and Chlorinated Poly (Vinyl Chloride) (CPVC) Compounds
ASTM D1785	Poly (Vinyl Chloride) (PVC) Plastic Pipe, Schedules 40, 80, and 120
ASTM D2152	Test Method for Degree of Fusion of Extruded Poly(Vinyl Chloride) (PVC) Pipe and Molded Fittings by Acetone Immersion
ASTM D2241	Poly (Vinyl Chloride) (PVC) Plastic Pipe (SDR-PR)
ASTM D2665	Poly (Vinyl Chloride) (PVC) Plastic Drain, Waste, and Vent Pipe and Fittings
ASTM D3034	Standard Specification for Type PSM Poly(Vinyl Chloride) (PVC) Sewer Pipe and Fittings
ASTM F477	Elastomeric Seals (Gaskets) for Joining Plastic Pipe
ASTM F679	Standard Specification for Poly(Vinyl Chloride) (PVC) Large Diameter Plastic Gravity Sewer Pipe and Fittings

Reference	Title
ASTM F1057	Standard Practice for Estimating the Quality of Extruded Poly (Vinyl Chloride) (PVC) Pipe by the Heat Reversion Technique
ASTM F1417	Standard Test Method for Installation Acceptance of Plastic Gravity Sewer Lines Using Low-Pressure Air
UNI-PUB-6	Recommended Practice for Low-Pressure Air Testing of Installed Sewer Pipe
UNI-PUB-8	Recommended Practice for the Direct Tapping of Polyvinyl Chloride (PVC) Pressure Water Pipe (Nominal Diameters 6-12 Inch)
NSF-14	Plastics Piping System Components and Related Materials
NSF-61	Drinking Water System Components--Health Effects
PPI TR-2	PVC Range Composition Listing of Qualified Ingredients

B MANUFACTURER REQUIREMENTS

1. Fusible polyvinylchloride pipe shall be tested at the extrusion facility for properties required to meet all applicable parameters as outlined in either AWWA C900, AWWA C905, applicable sections of ASTM D2241, ASTM D3034, or ASTM F679 . Testing priority shall be in conformance with AWWA C900 and AWWA C905, except for pipe made to the ASTM D3034 or ASTM F679 standards, which shall be tested to those standards. All piping shall be made from a PVC compound conforming to cell classification 12454 per ASTM D1784.

C FUSION TECHNICIAN REQUIREMENTS

1. Fusion Technician shall be fully qualified by the pipe supplier to install fusible polyvinylchloride pipe of the type(s) and size(s) being used. Qualification shall be current as of the actual date of fusion performance on the project.

D SPECIFIED PIPE SUPPLIERS

1. Fusible polyvinylchloride pipe shall be used as manufactured under the trade names Fusible C-900®, Fusible C-905®, and FPVC™, for Underground Solutions, Inc., Poway, CA, (858) 679-9551. Fusion process shall be as patented by Underground Solutions, Inc., Poway, CA, Patent No. 6,982,051. Owner and Engineer are aware of no other supplier or fusible polyvinylchloride pipe that is an equal to this specified pipe supplier and product.

E WARRANTY

1. The pipe shall be warranted for one year per the pipe supplier's standard terms.
2. In addition to the standard pipe warranty, the fusion services shall be warranted for one year per the fusion service provider's standard terms.

F PRE-CONSTRUCTION SUBMITTALS

1. The following PRODUCT DATA is required from the pipe supplier and/or fusion provider:
 - 1) Pipe Size
 - 2) Dimensionality
 - 3) Pressure Class per applicable standard
 - 4) Color
 - 5) Recommended Minimum Bending Radius
 - 6) Recommended Maximum Safe Pull Force
 - 7) Pipe and fusion services warranty information.
 - 8) Written procedural documentation for piping products including proper handling and storage, installation, tapping, and testing.
 - 9) Fusion technician qualification indicating conformance with this specification.
2. The following WORK PLAN AND INFORMATION is required from the contractor and/or horizontal directional drilling Contractor. This WORK PLAN AND INFORMATION shall also be supplied to the pipe supplier, should it be requested:
 - 1) Work plan shall include for each HDD installation any excavation locations and dimensions, interfering utilities, bore dimensions and locations including bend radii used, and traffic control schematics.
 - 2) A project safety and contingency plan which shall include but shall not be limited to drilling fluid containment and cleanup procedures, equipment and plan for compromised utility installations including electrical and power lines, water, wastewater and any other subsurface utility in the area.
 - 3) An HDD schedule identifying daily work hours and working dates for each installation.

G POST-CONSTRUCTION SUBMITTALS

1. The following AS-RECORDED DATA is required from the contractor and/or fusion provider to the Owner or pipe supplier upon request:
 - 1) Fusion report for each fusion joint performed on the project, including joints that were rejected. Specific requirements of the Fusion Technician's joint report shall include:
 - a) Pipe Size and Thickness
 - b) Machine Size
 - c) Fusion Technician Identification
 - d) Job Identification
 - e) Fusion Joint Number
 - f) Fusion, Heating, and Drag Pressure Settings

- g) Heat Plate Temperature
 - h) Time Stamp
 - i) Heating and Cool Down Time of Fusion
 - j) Ambient Temperature
- 2) As-recorded Information
- a) The as-recorded plan and profile will reflect the actual installed alignment, and reflect the horizontal offset from the baseline and depth of cover.
 - b) All fittings, valves, or other appurtenances will also be referenced and shown.
 - c) A daily project log, along with tracking log sheets, should they be used, shall be provided. Tracking log sheet data, should it be employed, shall include any and all that apply, including inclination, depth, azimuth, and hydraulic pull-back and rotational force measured.

PART 2 - PRODUCTS

2.01 FUSIBLE POLYVINYLCHLORIDE PRESSURE PIPE FOR POTABLE WATER

- A Fusible polyvinylchloride pipe shall conform to AWWA C900 or AWWA C905, and/or ASTM D2241 or ASTM D1785 for IPS standard dimensions if applicable. Testing shall be in accordance with AWWA standards for all pipe types.
- B Rework material shall be allowed per AWWA C900 and AWWA C905 standards.
- C Fusible polyvinylchloride pipe shall be extruded with plain ends. The ends shall be square to the pipe and free of any bevel or chamfer. There shall be no bell or gasket of any kind incorporated into the pipe.
- D Fusible polyvinylchloride pipe shall be manufactured in a standard 20', 30' or 40' nominal length.
- E Fusible polyvinylchloride pipe shall be blue in color for potable water use.
- F Pipe generally shall be marked per AWWA C900 or AWWA C905, and shall include as a minimum:
 - 1. Nominal pipe size
 - 2. PVC
 - 3. Dimension Ratio, Standard Dimension Ratio or Schedule
 - 4. AWWA pressure class or standard pressure rating for non-AWWA pipe
 - 5. AWWA Standard designation number or pipe type for non-AWWA pipe
 - 6. NSF-61 mark verifying suitability for potable water service
 - 7. Extrusion production-record code

8. Trademark or trade name
9. Cell Classification 12454 and/or PVC material code 1120 may also be included

G Pipe shall be homogeneous throughout and be free of visible cracks, holes, foreign material, blisters, or other visible deleterious faults.

2.02 FUSIBLE POLYVINYLCHLORIDE PRESSURE PIPE FOR NON-POTABLE WATER

A Fusible polyvinylchloride pipe shall conform to AWWA C900 or AWWA C905, and/or ASTM D2241 or ASTM D1785 for IPS standard dimensionality, if applicable. Testing shall be in accordance with AWWA standards for all pipe types.

B Rework material shall be allowed per AWWA C900 and AWWA C905 standards.

C Fusible polyvinylchloride pipe shall be extruded with plain ends. The ends shall be square to the pipe and free of any bevel or chamfer. There shall be no bell or gasket of any kind incorporated into the pipe.

D Fusible polyvinylchloride pipe shall be manufactured in a standard 20', 30' or 40' nominal length.

E Fusible polyvinylchloride pipe shall be purple in color for reclaim, reuse, or other non-potable distribution or conveyance. Fusible polyvinylchloride pipe shall be white in color for raw water collection and transmission, or other non-potable resource or irrigation water uses.

F Pipe generally shall be marked per AWWA C900 or AWWA C905, and shall include as a minimum:

1. Nominal pipe size
2. PVC
3. Dimension Ratio, Standard Dimension Ratio or Schedule
4. AWWA pressure class or standard pressure rating for non-AWWA pipe
5. AWWA Standard designation number or pipe type for non-AWWA pipe
6. Extrusion production-record code
7. Trademark or trade name
8. Cell Classification 12454 and/or PVC material code 1120 may also be included
9. For reclaim water service, the wording: "Reclaimed Water, NOT for Potable Use"

G Pipe shall be homogeneous throughout and be free of visible cracks, holes, foreign material, blisters, or other visible deleterious faults.

2.03 FUSIBLE POLYVINYLCHLORIDE PRESSURE PIPE FOR WASTEWATER

A Fusible polyvinylchloride pipe shall conform to AWWA C900 or AWWA C905, and/or ASTM D2241 or ASTM D1785 for IPS standard dimensionality, if

- B Rework material shall be allowed per AWWA C900 and AWWA C905 standards.
- C Fusible polyvinylchloride pipe shall be extruded with plain ends. The ends shall be square to the pipe and free of any bevel or chamfer. There shall be no bell or gasket of any kind incorporated into the pipe.
- D Fusible polyvinylchloride pipe shall be manufactured in a standard 20', 30' or 40' nominal length.
- E Fusible polyvinylchloride pipe shall be green in color for wastewater use.
- F Pipe generally shall be marked per AWWA C900 or AWWA C905, and shall include as a minimum:
 1. Nominal pipe size
 2. PVC
 3. Dimension Ratio, Standard Dimension Ratio or Schedule
 4. AWWA pressure class or standard pressure rating for non-AWWA pipe
 5. AWWA Standard designation number or pipe type for non-AWWA pipe
 6. Extrusion production-record code
 7. Trademark or trade name
 8. Cell Classification 12454 and/or PVC material code 1120 may also be included.
- G Pipe shall be homogeneous throughout and be free of visible cracks, holes, foreign material, blisters, or other visible deleterious faults.

2.04 FUSIBLE POLYVINYLCHLORIDE NON-PRESSURE PIPE FOR WASTEWATER OR SURFACE WATER

- A Fusible polyvinylchloride pipe shall conform to ASTM D3034 or ASTM F679.
- B Fusible polyvinylchloride pipe may instead conform to AWWA C900 or AWWA C905, and/or ASTM D2241 or ASTM D1785 for IPS standard dimensionality, if applicable. Testing shall be in accordance with AWWA standards for any of these pipe types.
- C Rework material shall be allowed per ASTM D3034, ASTM F679, AWWA C900 or AWWA C905 standards.
- D Fusible polyvinylchloride pipe shall be extruded with plain ends. The ends shall be square to the pipe and free of any bevel or chamfer. There shall be no bell or gasket of any kind incorporated into the pipe.
- E Fusible polyvinylchloride pipe shall be manufactured in a standard 20', 30' or 40' nominal length.
- F Fusible polyvinylchloride pipe shall be green in color for wastewater use. Fusible polyvinylchloride pipe shall be white in color for surface or storm

- G Pipe generally shall be marked per AWWA C900 or AWWA C905, and shall include as a minimum:
1. Nominal pipe size
 2. PVC
 3. Dimension Ratio, Standard Dimension Ratio or Schedule (omit for ASTM D3034 or ASTM F679 pipe)
 4. Pipe legend or stiffness designation, or AWWA pressure class, or standard pressure rating for non-AWWA pipe
 5. AWWA Standard designation number or pipe type for non-AWWA pipe (omit for ASTM D3034 or ASTM F679 pipe)
 6. Extrusion production-record code
 7. Trademark or trade name
 8. Cell Classification 12454 and/or PVC material code 1120 may also be included.
- H Pipe shall be homogeneous throughout and be free of visible cracks, holes, foreign material, blisters, or other visible deleterious faults.

2.05 FUSION JOINTS

- A Unless otherwise specified, fusible polyvinylchloride pipe lengths shall be assembled in the field with butt-fused joints. The Contractor shall follow the pipe supplier's guidelines for this procedure. All fusion joints shall be completed as described in this specification.

2.06 CONNECTIONS AND FITTINGS FOR PRESSURE APPLICATIONS

- A Connections shall be defined in conjunction with the coupling of project piping, as well as the tie-ins to other piping systems.

B DUCTILE IRON MECHANICAL AND FLANGED FITTINGS

Acceptable fittings for use with fusible polyvinylchloride pipe shall include standard ductile iron fittings conforming to AWWA/ANSI C110/A21.10 and AWWA/ANSI C111/A21.11.

1. Connections to fusible polyvinylchloride pipe may be made using a restrained or non-restrained retainer gland product for PVC pipe, as well as for MJ or flanged fittings.
2. Bends, tees and other ductile iron fittings shall be restrained with the use of thrust blocking or other means as indicated in the construction documents.
3. Ductile iron fittings and glands must be installed per the manufacturer's guidelines.

C PVC GASKETED, PUSH-ON FITTINGS

Acceptable fittings for use with fusible polyvinylchloride pipe shall include

standard PVC pressure fittings conforming to AWWA C900 or AWWA C905.

1. Acceptable fittings for use joining fusible polyvinylchloride pipe other sections of fusible polyvinylchloride pipe or other sections of PVC pipe shall include gasketed PVC, push-on type couplings and fittings, including bends, tees, and couplings as shown in the drawings.
2. Bends, tees and other PVC fittings shall be restrained with the use of thrust blocking or other restraint products as indicated in the construction documents.
3. PVC gasketed, push-on fittings and mechanical restraints, if used, must be installed per the manufacturer's guidelines.

D FUSIBLE POLYVINYL CHLORIDE SWEEPS OR BENDS

1. Fusible polyvinyl chloride sweeps or bends shall conform to the same sizing convention, diameter, dimensional tolerances and pressure class of the pipe that they are joining together.
2. Fusible polyvinyl chloride sweeps or bends shall be manufactured from the same fusible polyvinyl chloride pipe being used for the installation, and shall have at least 2 feet of straight section on either end of the sweep or bend to allow for fusion of the sweep to the pipe installation.
3. Standard fusible polyvinyl chloride sweep or bend angles shall not be greater than 22.5 degrees, and shall be used in nominal diameters ranging from 4 inch through 16 inch.

E SLEEVE-TYPE COUPLINGS

1. Sleeve-type mechanical couplings shall be manufactured for use with PVC pressure pipe, and may be restrained or unrestrained as indicated in the construction documents.
2. Sleeve-type couplings shall be rated at the same or greater pressure carrying capacity as the pipe itself.

F EXPANSION AND FLEXIBLE COUPLINGS

1. Expansion-type mechanical couplings shall be manufactured for use with PVC pipe, and may be restrained or unrestrained as indicated in the construction documents.
2. Expansion-type mechanical couplings shall be rated at the same or greater pressure carrying capacity as the pipe itself.

G CONNECTION HARDWARE

Bolts and nuts for buried service shall be made of non-corrosive, high-strength, low-alloy steel having the characteristics specified in ANSI/AWWA C111/A21.11, regardless of any other protective coating.

2.07 CONNECTIONS FOR GRAVITY SANITARY SEWER AND NON-PRESSURE APPLICATIONS

- A The following connections are to be used in conjunction with tie-ins to other non-pressure, gravity sewer piping and/or structures, and shall be as

B PVC GASKETED, PUSH-ON COUPLINGS

1. Acceptable couplings for joining fusible polyvinylchloride pipe to other sections of fusible polyvinylchloride pipe or other sections of PVC pipe shall include gasketed PVC, push-on type couplings as indicated in the construction documents.
2. PVC gasketed, push-on fittings and/or restraint hardware must be installed per the manufacturer's guidelines.

C FUSIBLE POLYVINYL CHLORIDE SWEEPS OR BENDS

1. Fusible polyvinyl chloride sweeps or bends shall conform to the same sizing convention, diameter, dimensional tolerances and pressure class of the pipe that they are joining together.
2. Fusible polyvinyl chloride sweeps or bends shall be manufactured from the same fusible polyvinyl chloride pipe being used for the installation, and shall have at least 2 feet of straight section on either end of the sweep or bend to allow for fusion of the sweep to the pipe installation.
3. Standard fusible polyvinyl chloride sweep or bend angles shall not be greater than 22.5 degrees, and shall be used in nominal diameters ranging from 4 inch through 16 inch.

D SLEEVE-TYPE COUPLINGS

1. Sleeve-type mechanical couplings shall be manufactured for use with PVC pipe, and may be restrained or unrestrained as indicated in the construction documents.

E EXPANSION AND FLEXIBLE COUPLINGS

1. Expansion-type mechanical couplings shall be manufactured for use with PVC pipe, and may be restrained or unrestrained as indicated in the construction documents.

F CONNECTION HARDWARE

1. Bolts and nuts for buried service shall be made of non-corrosive, high-strength, low-alloy steel having the characteristics specified in ANSI/AWWA C111/A21.11, regardless of any other protective coating.

G CONNECTION TO SANITARY SEWER MANHOLES AND STRUCTURES

1. Fusible polyvinylchloride pipe shall be connected to manholes and other structures to provide a leak-free, properly graded flow into or out of the manhole or structure.
2. Connections to existing manholes and structures shall be as indicated in the construction documents.
 - 1) For a cored or drilled opening provide a flexible, watertight connection that meets and/or exceeds ASTM C923.
 - 2) For a knock out opening, provide a watertight connection (waterstop or

- 3) Grout opening in manhole wall with non-shrink grout. Pour concrete collar around pipe and outside manhole opening. Provide flexible pipe joint or flexible connector within 2' of collar.
3. Connections to a new manhole or structure shall be as indicated in the construction documents.
 - 1) A flexible, watertight gasket per ASTM C 923 shall be cast integrally with riser section(s) for all precast manhole and structures.
 - 2) Drop connections shall be required where shown on drawings.
 - 3) Grout internal joint space with non-shrink grout

2.08 DRILLING SYSTEM EQUIPMENT

A GENERAL

1. The directional drilling equipment, as a minimum, shall consist of a directional drilling rig of sufficient capacity to perform the bore(s) and pull-back of the pipe(s), a drilling fluid mixing & delivery system of sufficient capacity to successfully complete the crossing, a guidance system to accurately guide boring operations, and trained and competent personnel to operate the system. All equipment shall be in good, safe operating condition with sufficient supplies, materials and spare parts on hand to maintain the system in good working order for the duration of this project. All required equipment shall be included in the emergency and contingency plan as submitted per these specifications.

B DRILLING RIG

1. The directional drilling machine shall consist of a hydraulically powered system to rotate, push and pull drill pipe while delivering a pressurized fluid mixture to a drill head. The machine shall be anchored to withstand the pulling, pushing and rotating forces required to complete the project.
2. The drilling rig hydraulic system shall be of sufficient pressure and volume to power drilling operations. The hydraulic system shall be free from leaks.
3. The drilling rig shall have a system to monitor pull-back hydraulic pressure during pull-back operations.

C DRILL HEAD

1. The horizontal directional drilling equipment shall produce a stable fluid lined tunnel with the use of a steer-able drill head and any subsequent pre-reaming heads.
2. The system must be able to control the depth and direction of the drilling operation.
3. Drill head shall contain all necessary cutters and fluid jets for the

D DRILLING FLUID SYSTEM

1. DRILLING FLUID (DRILLING MUD)

- a) Drilling fluid shall be composed of clean water and the appropriate additive(s) for the fluid to be used. Water shall be from a clean source and shall meet the mixing requirements of the mixture manufacturer(s).
- b) The water and additives shall be mixed thoroughly to assure the absence of any clumps or clods. No hazardous additives may be used.
- c) Drilling fluid shall be maintained at a viscosity sufficient to suspend cuttings and maintain the integrity of bore wall(s).
- d) Drilling fluid shall be disposed of off-site in accordance with local, state and federal requirements and/or permit conditions.
- e) No additional chemicals or polymer surfactants shall be allowed to be added to the drilling fluid unless they have been submitted per this specification.

2. MIXING SYSTEM

- a) A drilling fluid mixing system shall be of sufficient size to mix and deliver drilling fluid for the project.
- b) The mixing system shall be able to ensure thorough mixing of the drilling fluid. The drilling fluid reservoir tank shall be sized for adequate storage of the fluid.
- c) The mixing system shall continually agitate the drilling fluid during drilling operations.

3. DRILLING FLUID DELIVERY AND RECOVERY SYSTEM

- a) The drilling fluid pumping system shall have a minimum capacity to supply drilling fluid in accordance with the drilling equipment pull-back rating at a constant required pressure.
- b) The delivery system shall have filters or other appropriate in-line equipment to prevent solids from being pumped into the drill pipe.
- c) Used drilling fluid and drilling fluid spilled during drilling operations shall be contained and properly disposed of. The use of spill containment measures shall be maintained around drill rigs, drilling fluid mixing system, entry and exit pits and drilling fluid recycling system (if used) to prevent spills into the surrounding environment. Pumps, vacuum truck(s), and/or storage of sufficient size shall be in place to contain excess drilling fluid.
- d) A closed-loop drilling fluid system and a drilling fluid cleaning system should be used to whatever extent practical, depending upon project

E DRILLING CONTROL SYSTEM

1. Calibration of the electronic detection and control system shall be verified prior to the start of the bore.
2. The drilling head shall be remotely steer-able by means of an electronic or magnetic detection system. The drilling head location shall be monitored in three dimensions:
 - a) Offset from the baseline,
 - b) Distance along the baseline, and
 - c) Depth of cover.
3. Point of rotation of the head shall also be monitored.
4. For gravity application and on-grade drilling, sonde/beacon or approved equipment applicable for grade increments of 1/10th of one percent shall be used.

2.09 PIPE PULL HEADS

- A Pipe pull heads shall be utilized that employ a positive through-bolt design assuring a smooth wall against the pipe cross-section at all times.
- B Pipe pull heads shall be specifically designed for use with fusible polyvinylchloride pipe, and shall be as recommended by the pipe supplier.

2.10 PIPE ROLLERS

- A Pipe rollers, if required, shall be of sufficient size to fully support the weight of the pipe during handling and pullback operations.
- B A sufficient quantity of rollers and spacing, per the pipe supplier's guidelines shall be used to assure adequate support and excessive sagging of the product pipe.

PART 3 – EXECUTION

3.01 DELIVERY AND OFF-LOADING

- A All pipe shall be bundled or packaged in such a manner as to provide adequate protection of the ends during transportation to the site. Any pipe damaged in shipment shall be replaced as directed by the Owner or Engineer.
- B Each pipe shipment should be inspected prior to unloading to see if the load has shifted or otherwise been damaged. Notify Owner or Engineer immediately if more than immaterial damage is found. Each pipe shipment should be checked for quantity and proper pipe size, color and type.

- C Pipe should be loaded, off-loaded, and otherwise handled in accordance with AWWA M23, and all of the pipe supplier's guidelines shall be followed.
- D Off-loading devices such as chains, wire rope, chokers, or other pipe handling implements that may scratch, nick, cut, or gouge the pipe are strictly prohibited.
- E During removal and handling, be sure that the pipe does not strike anything. Significant impact could cause damage, particularly during cold weather.
- F If appropriate unloading equipment is not available, pipe may be unloaded by removing individual pieces. Care should be taken to insure that pipe is not dropped or damaged. Pipe should be carefully lowered, not dropped, from trucks.

3.02 HANDLING AND STORAGE

- A Any length of pipe showing a crack or which has received a blow that may have caused an incident fracture, even though no such fracture can be seen, shall be marked as rejected and removed at once from the work. Damaged areas, or possible areas of damage may be removed by cutting out and removing the suspected incident fracture area. Limits of the acceptable length of pipe shall be determined by the Owner or Engineer.
- B Any scratch or gouge greater than 10% of the wall thickness will be considered significant and can be rejected unless determined acceptable by the Owner or Engineer.
- C Pipe lengths should be stored and placed on level ground. Pipe should be stored at the job site in the unit packaging provided by the manufacturer. Caution should be exercised to avoid compression, damage, or deformation to the ends of the pipe. The interior of the pipe, as well as all end surfaces, should be kept free from dirt and foreign matter.
- D Pipe shall be handled and supported with the use of woven fiber pipe slings or approved equal. Care shall be exercised when handling the pipe to not cut, gouge, scratch or otherwise abrade the piping in any way.
- E If pipe is to be stored for periods of 1 year or longer, the pipe should be shaded or otherwise shielded from direct sunlight. Covering of the pipe which allows for temperature build-up is strictly prohibited. Pipe should be covered with an opaque material while permitting adequate air circulation above and around the pipe as required to prevent excess heat accumulation.
- F Pipe shall be stored and stacked per the pipe supplier's guidelines.

3.03 FUSION PROCESS

- A GENERAL
 1. Fusible polyvinylchloride pipe will be handled in a safe and non-destructive manner before, during, and after the fusion process and in accordance with this specification and pipe supplier's guidelines.
 2. Fusible polyvinylchloride pipe will be fused by qualified fusion

3. Each fusion joint shall be recorded and logged by an electronic monitoring device (data logger) affixed to the fusion machine.
4. Only appropriately sized and outfitted fusion machines that have been approved by the pipe supplier shall be used for the fusion process. Fusion machines must incorporate the following properties, including the following elements:
 - a) HEAT PLATE - Heat plates shall be in good condition with no deep gouges or scratches. Plates shall be clean and free of any debris or contamination. Heater controls shall function properly, cord and plug shall be in good condition. The appropriately sized heat plate shall be capable of maintaining a uniform and consistent heat profile and temperature for the size of pipe being fused, per the pipe supplier's guidelines.
 - b) CARRIAGE – Carriage shall travel smoothly with no binding at less than 50 psi. Jaws shall be in good condition with proper inserts for the pipe size being fused. Insert pins shall be installed with no interference to carriage travel.
 - c) GENERAL MACHINE - Overview of machine body shall yield no obvious defects, missing parts, or potential safety issues during fusion.
 - d) DATA LOGGING DEVICE - The current version of the pipe supplier's recommended and compatible software shall be used. Datalogging device operations and maintenance manual shall be with the unit at all times. If fusing for extended periods of time, an independent 110V power source shall be available to extend battery life.
5. Other equipment specifically required for the fusion process shall include the following:
 - a) Pipe rollers shall be used for support of pipe to either side of the machine
 - b) A weather protection canopy that allows full machine motion of the heat plate, fusion assembly and carriage shall be provided for fusion in inclement and /or windy weather.
 - c) Fusion machine operations and maintenance manual shall be kept with the fusion machine at all times.
 - d) Facing blades specifically designed for cutting fusible polyvinylchloride pipe shall be used.

B JOINT RECORDING

Each fusion joint shall be recorded and logged by an electronic monitoring device (data logger) connected to the fusion machine. The fusion data logging and joint report shall be generated by software developed specifically for the butt-fusion of thermoplastic pipe. The software shall register and/or

record the parameters required by the pipe supplier and these specifications. Data not logged by the data logger shall be logged manually and be included in the Fusion Technician's joint report.

3.04 DRILLING OPERATIONS

A GENERAL

1. Bore path and alignment are as indicated in the contract documents. The path of the bore may be modified based on field and equipment conditions. Entry and exit locations and control-point elevations shall be maintained as indicated in the contract documents.
2. Bend radii shown in the contract documents are minimum allowable radii and shall not be reduced.

B LOCATION AND PROTECTION OF UNDERGROUND UTILITIES

1. Correct location of all underground utilities that may impact the HDD installation is the responsibility of the Contractor, regardless of any locations shown on the drawings or previous surveys completed.
2. Utility location and notification services shall be contacted by the Contractor prior to the start of construction.
3. All existing lines and underground utilities shall be positively identified, including exposing those facilities that are located within an envelope of possible impact of HDD installation as determined for the project specific site conditions. It is the Contractor and HDD system operator's responsibility to determine this envelope of safe offset from existing utilities. This will include, but is not limited to, soil conditions and layering, utility proximity and material, HDD system and equipment, and foreign subsurface material.

C SITE LOCATION PREPARATION

1. Work site as indicated on drawings shall be graded or filled to provide a level working area. No alterations beyond what is required for operations are to be made
2. Contractor shall confine all activities to designated work areas.

D DRILLING LAYOUT AND TOLERANCES

1. The drill path shall be accurately surveyed with entry and exit areas placed in the appropriate locations within the areas indicated on drawings. If using a magnetic guidance system, drill path will be surveyed for any surface geomagnetic variations or anomalies.
2. Instrumentation shall be provided and maintained at all times that accurately locates the pilot hole, measures drill-string axial and torsional loads and measures drilling fluid discharge rate and pressure.
3. Entry and exit areas shall be drilled so as not to exceed the bending limitations of the pipe as recommended by the pipe supplier.

E PILOT HOLE BORE

1. Pilot hole shall be drilled along bore path. In the event that the pilot bore does deviate from the bore path, it may require contractor to pull-back and re-drill from the location along bore path before the deviation.
2. The Contractor shall limit curvature in any direction to reduce force on the pipe during pull-back. The minimum radius of curvature shall be no less than that specified by the pipe supplier and as indicated on the drawings.

F REAMING

1. After successfully completing the pilot hole, the bore hole shall be reamed to a diameter which meets the requirements of the pipe being installed. The following table is offered as an estimated guide:

Nominal Pipe Diameter	Bore Hole Diameter
< 8 inches	Pipe Dia. + 4 inches
8 inches to 24 inches	Pipe Dia. X 1.5
> 24 inches	Pipe Dia. + 12 inches

2. Multiple reaming passes shall be used at the discretion of the Contractor and shall conform to this specification.
3. In the event of a drilling fluid fracture, returns loss or other loss of drilling fluid, the Contractor shall be responsible for restoring any damaged property to original condition and cleaning up the area in the vicinity of the damage or loss.

3.05 PIPE PULL-BACK AND INSERTION

- A** Pipe shall be fused prior to insertion, if the site and conditions allow, into one continuous length.
- B** Contractor shall handle the pipe in a manner that will not over-stress the pipe prior to insertion. Vertical and horizontal curves shall be limited so that the pipe does not bend past the pipe supplier's minimum allowable bend radius, buckle, or otherwise become damaged. Damaged portions of the pipe shall be removed and replaced.
- C** The pipe entry area shall be graded as needed to provide support for the pipe and to allow free movement into the bore hole.
1. The pipe shall be guided into the bore hole to avoid deformation of, or damage to, the pipe.
 2. The fusible polyvinylchloride pipe may be continuously or partially supported on rollers or other Owner and Engineer approved friction decreasing implement during joining and insertion, as long as the pipe is not over-stressed or critically abraded prior to, or during installation.

3. A swivel shall be used between the reaming head and the fusible polyvinylchloride pipe to minimize torsion stress on the pipe assembly.
- D Buoyancy modification shall be at the sole discretion of the Contractor, and shall not exceed the pipe supplier's guidelines in regards to maximum pull force or minimum bend radius of the pipe. Damage caused by buoyancy modifications shall be the responsibility of the Contractor.
- E Once pull-back operations have commenced, the operation shall continue without interruption until the pipe is completely pulled through the bore hole.
- F The pipe shall be installed in a manner that does not cause upheaval, settlement, cracking, or movement and distortion of surface features. Any damages caused by the Contractor's operations shall be corrected by the Contractor.

3.06 INSTALLATION CLEANUP

- A Following the installation, the project site shall be returned to a condition equal to or better than the pre-construction condition of the site. All excavations will be backfilled and compacted per the construction documents and jurisdictional standards. All pavement and hardscape shall be repaired per applicable jurisdictional standards, excess materials shall be removed from the site, and disturbed areas shall be re-landscaped. All drilling fluid shall be properly disposed of per these specifications and all applicable jurisdictional laws.
- B Contractor shall verify that all utilities, structures, and surface features in the project area are sound.

3.07 PREPARATION PRIOR TO MAKING CONNECTIONS INTO EXISTING PIPING SYSTEMS

- A Approximate locations for existing piping systems are shown in the construction documents. Prior to making connections into existing piping systems, the Contractor shall:
 1. Field verify location, size, piping material and piping system of the existing pipe.
 2. Obtain all required fittings, which may include saddles, sleeve type couplings, flanges, tees, or others as shown in the construction documents.
 3. Have installed all temporary pumps and/or pipes in accordance with established connection plans.
- B Unless otherwise approved, new piping systems shall be completely assembled and successfully tested prior to making connections into existing pipe systems.

3.08 PIPE SYSTEM CONNECTIONS

- A Pipe connections shall be installed per applicable standards and regulations, as well as per the connection manufacturer's guidelines and as indicated in the construction documents. Pipe connections to structures shall be installed

3.09 TAPPING FOR POTABLE AND NON-POTABLE WATER APPLICATIONS

- A Tapping shall be performed using standard tapping saddles designed for use on PVC piping in accordance with AWWA C605. Tapping shall be performed only with use of tap saddles or sleeves. NO DIRECT TAPPING WILL BE PERMITTED. Tapping shall be performed in accordance with the applicable sections for Saddle Tapping per Uni-Pub-8.
- B All connections requiring a larger diameter than that recommended by the pipe supplier, shall be made with a pipe connection as specified and indicated on the drawings.
- C Equipment used for tapping shall be made specifically for tapping PVC pipe:
 - 1. Tapping bits shall be slotted "shell" style cutters, specifically made for PVC pipe. 'Hole saws' made for cutting wood, steel, ductile iron, or other materials are strictly prohibited.
 - 2. Manually operated or power operated drilling machines may be used.
- D Taps may be performed while the pipeline is filled with water and under pressure ('wet' tap), or when the pipeline is not filled with water and not under pressure ('dry' tap).

3.10 TESTING

- A Testing shall comply with all applicable jurisdictional building codes, statutes, standards, regulations and laws.
- B HYDROSTATIC TESTING AND LEAKAGE TESTING FOR PRESSURE PIPING
 - 1. Hydrostatic and leakage testing for piping systems that contain mechanical jointing as well as fused PVC jointing shall comply with AWWA C605.
 - 2. Unless agreed to or otherwise designated by the owner or engineer, for a simultaneous hydrostatic and leakage test following installation, a pressure equal to 150% of working pressure at point of test, but not less than 125% of normal working pressure at highest elevation shall be applied. The duration of the pressure test shall be for two (2) hours.
 - 3. If hydrostatic testing and leakage testing are performed at separate times, follow procedures as outlined in AWWA C605.
 - 4. In preparation for pressure testing the following parameters must be followed:
 - 1) All air must be vented from the pipeline prior to pressurization. This may be accomplished with the use of the air relief valves or corporation stop valves, vent piping in the testing hardware or end caps, or any other method which adequately allows air to escape the pipeline at all high points. Venting may also be accomplished by 'flushing' the pipeline in accordance with the parameters and

- 2) The pipeline must be fully restrained prior to pressurization. This includes complete installation of all mechanical restraints per the restraint manufacturer's guidelines, whether permanent or temporary to the final installation. This also includes the installation and curing of any and all required thrust blocking. All appurtenances included in the pressure test, including valves, blow-offs, and air-relief valves shall be checked for proper installation and restraint prior to the beginning of the test.
- 3) Temporary pipeline alignments that are being tested, such as those that are partially installed in their permanent location shall be configured to minimize the amount of potentially trapped air in the pipeline.

C LEAKAGE TESTING FOR NON-PRESSURE PIPING

1. Gravity sanitary sewers that contain mechanical jointing in addition to fused PVC joints may need to be tested for excessive leakage.
2. Gravity sanitary sewer leakage testing may include appropriate water or low pressure air testing. The leakage outward or inward (exfiltration or infiltration) shall not exceed 25 gallons per inch of pipe diameter per mile per day for any section of the system. An exfiltration or infiltration test shall be performed with a minimum positive head of two feet. The air test, if used, shall be conducted in accordance with one of the following Standards:
 - 1) ASTM F1417
 - 2) UNI-B-6
3. The testing method selected shall properly consider the existing groundwater elevations during the test.

D DEFLECTION TESTING FOR NON-PRESSURE PIPING

1. After completion of the backfill, the Engineer or Owner may require that a deflection test be performed.
2. Deflection tests should be conducted using a go/no-go mandrel. The mandrel's outside dimension shall be sized to permit no more than 7.5 percent deflection. The percent deflection shall be established from the base inside diameter of the pipe. If the internal beading of the joints for the pipe is not required to be removed, the mandrel shall account for this clearance as well. The mandrel shall be approved by the Owner or Engineer prior to use. Lines that permit safe entry may allow other deflection test options, such as direct measurements.

E DISINFECTION OF THE PIPELINE FOR POTABLE WATER PIPING

1. After installation, the pipeline, having passed all required testing, shall be disinfected prior to being put into service. Unless otherwise directed by the Owner or Engineer, the pipeline will be disinfected per AWWA C651.

F PARTIAL TESTING

1. Segments of the pipe may be tested separately in accordance with standard testing procedure, as approved by the Owner and Engineer.

****END OF SECTION****

SECTION 02607

MANHOLES

PART 1 GENERAL

1.1 SUMMARY

- A. Section Includes: Requirements for providing sewer manholes and all other appurtenances for a complete installation. Provide precast reinforced concrete manholes conforming to ASTM C478 in accordance with the Standard Details.
- B. Related Work Specified in Other Sections Include:
 - 1. Section 02608 – Concrete Coatings
 - 2. Section 05540 – Metal Castings

1.2 REFERENCE

- A. Codes and standards referred to in this Section are:
 - 1. ASTM C 76 - Specification for Reinforced Concrete Culvert, Storm Drain and Sewer Pipe.
 - 2. ASTM C 478 - Specification for Precast Reinforced Concrete Manhole Sections
 - 3. ASTM C 32 - Specification for Sewer and Manhole Brick (Made for Clay or Shale)
 - 4. ASTM C 443 - Specification for Joints for Circular Concrete Sewer and Culvert Pipe, Using Rubber Gaskets [Metric]

1.3 SUBMITTALS

- A. Shop Drawings: Submit shop drawings of sewer manholes as specified in Division 1.
- B. Quality Control: Submit shop and field test reports of concrete samples tested in an approved laboratory.

1.4 DELIVERY, STORAGE AND HANDLING

- A. General: Take every precaution to prevent injury to the manhole sections during transportation and unloading. Unload manhole sections using skids, pipe hooks, rope slings, or suitable power equipment, if necessary, and keep the sections under control at all times. Do not allow the manhole sections to be dropped,

dumped or dragged under any conditions. Follow applicable requirements specified in Division 1.

- B. Damaged Section: If any manhole section is damaged in the process of transportation or handling (see Section 2.3.C below), contact the Public Utilities Wastewater Department for visual inspection. If the Wastewater Department deems it necessary to reject the manhole section, reject and immediately remove such sections from the site, and replace the damaged manhole sections at no increase in Contract Amount.

PART 2 PRODUCTS

2.1 MANUFACTURERS

- A. Acceptable manufacturers are listed below. Other manufacturers of equivalent products may be submitted.
 - 1. Preformed Joint Sealing Compound:
 - a. Ram-Nek, as manufactured by K.T. Snyder Company, Inc., Houston, TX
 - b. Kent-Seal, as manufactured by Hamilton Kent, Toronto/Ontario Canada
 - 2. Frame and covers as manufactured by U. S. Foundry, 420-C-ORS.

2.2 MATERIALS

- A. Concrete, Steel Reinforcement and Aggregates, and Foundation: Provide reinforced concrete, cementitious materials, aggregates and steel reinforcement conforming to the requirements of ASTM C 478, with 4000 psi concrete, Grade 40 reinforcement bars, Type II cement, and a minimum wall thickness of 8 inches. All manholes shall be constructed upon a foundation consisting of no less than twelve inches (12") of crushed stone. The excavation shall be kept free of water throughout construction and shall not be backfilled until inspected.
- B. Manhole Frames and Covers: Provide manhole frames and covers as shown on the Standard details. Castings for manhole frames, covers and other items shall conform to the ASTM Designation A48, Class 30. Castings shall be true to pattern in form and dimensions and free of pouring faults and other defects in positions which would impair their strength, or otherwise make them unfit for the service intended. The scating surfaces between frames and covers shall be machined to fit true so the frames and covers do not shift under traffic conditions or permit entry of storm water from flooding. Lifting or "pick" holes shall be provided, but shall not penetrate the cover. The words SANITARY SEWER, as well as CITY OF NAPLES, FLORIDA shall be cast in all manhole covers except those owned by a private party. All manhole frames and covers shall be traffic bearing unless

otherwise specified. Frames and covers shall be fully bedded in mortar to the correct finished grade elevation with materials shown in the Detail Drawings.

- C. Preformed Joint Sealing Compound: Provide preformed joint sealing compound for joining manhole sections.
- D. Concrete Protective Liner: Provide concrete protective liner conforming to Section 02608.
- E. Pipeline Connections to Manhole: Provide neoprene boots with type 316 stainless steel clamps of a design approved by the City Manager or designee for joining sewers to manhole riser sections equal to OR-N-Seal as manufactured by the Decker Corporation or Engineer of Record approved equal. Fill the unfilled portion of the connection with mortar or concrete to guarantee a watertight seal. Where required or shown on the plans, connection to existing sewer shall be made in a manner which will maintain existing flow on a continuous basis. Where flow cannot be maintained, interruption of service shall be minimized such that no by-pass of sanitary sewage to any natural waterway or storm drain occurs, nor shall such interruption create a public health hazard by sewage backup or overflows.
- F. Doghouse Manholes: Doghouse manholes over existing sanitary sewer pipes are permitted, and in a number of instances, preferred. Provide a concrete base a minimum of 8 inches thick, with proper reinforcing rods to prevent cracking. Pour concrete base upon a 12-inch base of gravel. Precast manhole rings may be set in the concrete over the existing pipe. Concrete should then be used to form both the bench and to seal the pipe entrances, both inside and especially outside. Once dry, remove the top of the pipe in the manhole. Special provisions may be required at the City Manager's, or designee's, discretion.
- G. Standard Manholes: The standard manhole shall be 4 feet or more in depth measured from the base of the cover frame to the top of the concrete footing and shall be of the concentric cone type, as shown in the Standard Details. If the manhole is 4 feet or less in depth, it shall be classified as a "Shallow Manhole" as specified below.
- H. Shallow Manholes: The shallow manhole shall be 4 feet or less in depth measured from the base of the cover frame to the top of the concrete footing and shall be of flat top construction, as shown in the Standard Details.
- I. Manhole Inverts: Form manhole inverts from concrete having a minimum 28 day compressive strength of 2500 psi, and as shown in the Standard Details. Inverts for "straight-through" manholes may be formed by laying the pipe straight through the manhole, pouring the concrete invert, and then cutting out the top half of the pipe, provided that a 0.1 foot drop is maintained across the manhole. Construct curved inverts of concrete, as shown in the Standard Details, and form a smooth, even, half pipe section. Precast inverts may be used, however, no large "bowls" shall be permitted in the center of the manhole. To alleviate this problem, grout the invert to form a smooth, uniform invert as shown in the Standard Details. Maintain a 0.1 foot drop across the manhole.

- J. Inflow Protectors: In all manholes, install an inflow protector manufactured from a high-quality 304 stainless steel with a consistent thickness of not less than 18 gage. The inflow shall have a deep-dish bowl design with no less than 8 inches in depth to allow easy and unobstructed removal of the manhole cover. The manhole inflow protector is to be manufactured with a one-piece rubber gasket installed at the factory for a tight, consistent fit. The rubber gasket is to be designed to securely wrap around the entire leading edge of the inflow protector at the point where it comes in contact with the manhole frame and cover. The wrap around rubber gasket is to be manufactured to a width of no less than 3/8 inches, consistent on top and bottom of the leading edge of the inflow protector. The gasket shall be no more than 3/32 inches thick. The insert removal handle shall be manufactured of a high-quality stainless steel for strength and durability. The handle is installed in such a way that it does not interfere with the installation or removal of the manhole lid. The insert handle will be manufactured to withstand a minimum pull force of 500 pounds before it fails or separates from the insert. The inscription "PROPERTY OF CITY OF NAPLES UTILITIES" shall be etched, at the base of the handle frame, to provide a long-lasting identification marker for the CITY. The inflow protector shall be as manufactured by Sewer Shield, Inc., Maitland, FL, or an approved equal.
- K. Chimney Seals: Install a minimum of two (2) precast concrete riser rings or two (2) or more precast concrete rings and a layer of brick and mortar or HDPE riser rings with Cretex (or City approved equal) chimney seals between manhole and cast iron frame. Each concrete ring shall be set in a bed of mortar to insure a proper bond and seal between successive concrete rings. On road overlay projects that raise the elevation of the road grade, the manhole shall be raised with brick and mortar or concrete of riser rings.

2.3 SOURCE QUALITY CONTROL

- A. If requested by the City Manager or designee, at least three cylinders shall be taken each day that manhole sections are cast, with batch samples to be designated by the laboratory representative. At least one set of cylinders will be taken from each 9 cubic yards of concrete used in manhole section construction. These samples will be tested for strength. If the samples fail to meet specified minimum concrete strength requirements, all manhole sections manufactured from the concrete from which the cylinders were made will be rejected.
- B. The City Manager or designee reserves the right to core manholes either at the job site or point of delivery to validate strength of concrete and placement of steel. If cores fail to demonstrate the required strength or indicate incorrect placement of reinforcing steel, all sections not previously tested will be considered rejected until sufficient additional cores are tested, at no increase in Contract Amount, to substantiate conformance to these requirements.

- C. Components of the manhole shall be free of fractures, cracks, and undue roughness. Concrete shall be free of defects, which indicate improper mixing or placing, and surface defects such as honeycomb or spalling. Cracks or broken ends due to improper handling will not be acceptable. No lift holes will be allowed except in rise and corbel sections. These holes shall not penetrate the wall and shall be filled with non-shrink grout after installation.

PART 3 EXECUTION

3.1 INSTALLATION

- A. Lifting Holes: Grout lifting holes through the structure with non-shrink grout equal to embeco No. 167 by Master Builders or an Engineer of Record approved equal.
- B. Precast Base: Provide a precast base of not less than 8 inches (see Detail Dwg.) in thickness with a minimum dimension across the precast base of 72 inches poured monolithically with the bottom section of the manhole walls, reinforced, with a minimum 28-day compressive strength of 4,000 psi.
- C. Joining Manhole Sections: Join precast sections using Ram-Nek or Kent-Seal plastic joint sealing compound and trimmed prior to grouting. The first construction joint shall be not less than 2 feet above the base slab. Use tongue and groove joints suitable for the flexible gasket. Use non-shrink grout inside and outside for sealing between manhole precast sections. Grout shall be of a type acceptable to the City Manager or designee and designed for use in water. Seal all openings and joints watertight.
- D. Top Termination: Terminate manhole tops at such elevations as will permit laying up grade rings under the manhole frame to make allowances for future street grade adjustments.
- E. Drop Connections: Manufacture drop connections, where required on precast manholes, with the manhole elements at the casting yard. Drop manholes shall be constructed per the City Standard Details.
- F. Internal Protection: Provide internal protection for all manholes by either of the following:
 - 1. Sewpercoat, calcium-aluminate mortar blend coating system (see Section 02608 Concrete Coatings), or
 - 2. IET Coating system – surface preparation shall include pressure washing at 5,000 psi, dry abrasive blasting with black beauty steel slag and application of the IET coat at three (3) different intervals to a total thickness of 125 mils (see Section 02608 Concrete Coatings).
 - 3. Interior surfaces of precast manholes that do not have a force main(s) flowing into them and are not immediately upstream of a lift station can be coated with three coats of a coal tar epoxy coating to a minimum dry film

thickness of 30 mils with Amercoat No. 78, Kop-Coat Bitumastic No. 300-M, or Engineer of Record approved equal in accordance with coating manufacturer's recommendations.

Install the coating systems per manufacturer's recommendation and completely protect the structure from corrosion. The liner or coating systems must extend and seal onto manhole ring, seal onto and around pipe openings, and any other protrusions, completely cover the bench and flow invert. Provide a five (5)-year unlimited warranty on all workmanship and products. The work includes the surface preparation and application of the coating or liner system, and shall protect the structure for at least five (5) years from all leaks and from failure due to corrosion from exposure to corrosive gases such as hydrogen sulfide.

Repair internal coating of existing manholes cored during tie-in of new sewers by applying approved coating material as listed above in accordance with the manufacturer's recommendations. If existing manhole has an internal coating other than that listed above (e.g. epoxy coating), sandblast the interior of the existing manhole and apply an approved coating in accordance with the manufacturer's recommendations.

- G. Coal Tar Epoxy Exterior Coating: Coat all manhole, wet well, and valve vault exteriors with two (2) coats of coal tar epoxy to a minimum thickness of 8 dry mils.
- H. Care shall be exercised during construction of the manhole to see that materials do not enter the sewer line. The invert and shelf of the manhole shall be kept clean of all mortar, broken brick, sand, or any other materials falling into the manhole. Such material shall be immediately removed. This condition shall be maintained until final acceptance of the work. Prior to testing of gravity sanitary sewer lines, the lines shall be thoroughly cleaned, using standard pressure rodding techniques. See Section 01400 1.5.A.4. for further information on gravity sewer line and manhole construction and testing.

END OF SECTION

SECTION 02608

CONCRETE COATINGS (SEWPERCOAT, IET, AND KOPPERS BITUMASTIC)

PART 1 SEWPERCOAT LINING SYSTEM/ IET COATING SYSTEM/KOPPERS BITUMASTIC SYSTEM

1.1 SCOPE OF WORK

- A. This section provides details for furnishing and installing the SewperCoat lining system where shown on the drawings for protection of concrete structures against hydrogen sulfide corrosion. Perform installation by workers experienced in the application of the lining system to be used.
- B. This section provides details for furnishing and installing the Integrated Environmental Technologies (IET) coating system where shown on the drawings for protection of concrete structures against hydrogen sulfide corrosion. Perform installation by workers experienced in the application of the coating to be used.
- C. This section provides details for furnishing and installing the Koppers Bitumastic 300-M coating system where shown on the drawings for protection of concrete structures against hydrogen sulfide corrosion. Perform installation by workers experienced in the application of the coating to be used.

PART 2 PART 2 PRODUCTS

2.1 SEWPERCOAT LINING SYSTEM

- A. The SewperCoat (calcium aluminate) lining system shall be as manufactured by Lafarge Calcium Aluminates, Chesapeake, VA.
- B. Pure-fused Calcium Aluminate Cement Lining: The cement lining material shall be a pure fused calcium aluminate mortar with pure fused calcium aluminate aggregate equal to SewperCoat as manufactured by Lafarge Calcium Aluminates, Inc. The material shall be spray applied in accordance with the manufacturer's specifications.
 - 1. The material shall be packaged from the manufacturer so as not to require field mixing of mortar and aggregate to obtain recommended composition.
 - 2. The material shall form a mechanical and chemical bond to the wetwell surface with zero shrinkage. The material shall have a minimum 28-day compressive strength of 9000 psi.
 - 3. The material shall be suitable for use in a severe hydrogen sulfide (H₂S) environment.

4. Provide documentation that the material has a minimum 5-year history in the reconstruction of sanitary sewer structures.

2.2 IET COATING SYSTEM

- A. The IET Coating System shall be as manufactured by Integrated Environmental Technologies, Santa Barbara, CA. The City knows of no equal product to IET.
- B. Polymorphic Resin shall be a 100% solids, two-component, highly modified polyester resin system, exhibiting no adhesion-interfering shrinkage upon curing. Resin shall cure rapidly within fifteen minutes to one hour without the use of heat or cooling at surface temperatures ranging from –30 degrees Fahrenheit to over +150 degrees. Excellent resistance to a broad range of corrosive chemicals, including sulfuric acid created by hydrogen sulfide gas as well as other chemicals typically found in sanitary sewers, and impact and abrasion attack shall be provided.

2.3 KOPPERS BITUMASTIC NO. 300-M

- A. For manhole lining using Koppers bitumastic, see Section 02607 “Manholes.” For wet well (exterior) and valve vault coating using Koppers Bitumastic No. 300-M, see Part 3 “Execution” below.

PART 3 EXECUTION

3.1 SEWPERCOAT LINING

- A. Plug or bypass all pipes in service before any work is started on the structure. No debris is to be flushed down the line.
- B. Anyone entering the structure must conform to all OSHA requirements for “Confined Space Entry” equipment and permitting.
- C. Prepare surface in accordance with the requirements of SewperCoat Data Sheets on Concrete Preparation. Interior surfaces of wetwell shall be sound, porous, dry, and free of dust, dirt, oil, grease and other contaminants prior to application of lining.
- D. Interior surface of structure must be abrasive-blasted to remove all loose patching, old coatings and any contamination in the concrete. Do not use silica sand.
 1. Abrasive-blast “new” structures to remove all oils and patch mud, and to open pinholes and expose aggregate.
 2. Abrasive-blast “rehab” structures to remove all loose patching, old coatings, and any contamination that penetrated the concrete. The finished interior of the structure shall be gray. Coat the exposed invert/floor also. Where there is severe deterioration of the mortar, place new concrete to match the original interior dimensions after abrasive blasting and removal of all loose

material and by-products of corrosion. Restore invert/floor to the original elevation.

3. Vacuum to remove all abrasives and debris.
 4. Condition of the wetwell may require the use of a 10% solution of hydrochloric (muriatic) acid over all surfaces or the use of a detergent. If an acid or detergent solution is used, the surface shall be thoroughly rinsed and neutralized prior to the installation of the liner system.
- E. Repair all leaks by injecting grout using Avanti Multi-grout AV-202 or equivalent. Hydraulic cement shall not be used to stop any water leaks.
- F. Spray Application: Mix and apply the pure fused calcium aluminate cement liner system in strict accordance with the manufacturer's written instructions using only manufacturers approved equipment. This includes the preparation, installation, curing and finish operation required for the completion of the process.
1. Wet gun: Spray the material directly to the damp wetwell surface in a two-coat application. Trowel the material smooth after each coat, completely covering the interior surface of the wetwell from the frame to the invert with a minimum thickness of 1 inch. Apply a "brushed" finish to the second coat after troweling.
 2. Dry Gun: Spray the material directly to the damp wetwell surface in a one-coat application. Trowel the material smooth after the application, completely covering the interior surface of the wetwell from the frame to the invert with a minimum thickness of 1 inch. Apply a "brushed" finish after troweling.
- G. Curing: The material shall cure in strict accordance with the manufacturer's recommendations and instructions.
- H. Inspect lining system for holidays, cracks and pinholes. Take particular care to check lining over brick, block, heavy spalled surfaces, and other very rough surfaces and locate holes in the lining caused by voids in bricks, block, concrete and structure joints. Fill voids and holidays in accordance with the lining system manufacturer's instructions.
- I. Provide a five (5) year unlimited warranty on all workmanship and products. The work includes the surface preparation and application of the SewperCoat lining system, and shall protect the structure for at least five (5) years from all leaks, and from failure due to corrosion from exposure to corrosive gases such as hydrogen sulfide.

3.2 IET COATING

- A. Plug or bypass all pipes in service before any work is started on the structure. No debris is to be flushed down the line.

- B. Anyone entering the structure must conform to all OSHA requirements for “Confined Space Entry” equipment and permitting.
- C. Prepare surface in accordance with the requirements of IET Systems Data Sheets on Concrete Preparation. Interior surfaces of manhole shall be sound, porous, dry, and free of dust, dirt, oil, grease and other contaminants prior to application of lining.
- D. Dry abrasive-blast Interior surface of structure to remove all loose patching, old coatings and any contamination in the concrete. Do not use silica sand.
 - 1. Dry abrasive-blast “new” structures to remove all oils and patch mud, and to open pin holes and expose aggregate.
 - 2. Dry abrasive-blast “rehab” structures to remove all loose patching, old coatings, and any contamination that penetrated the concrete. The finished interior of the structure shall be gray. Coat the exposed invert/floor also. Where there is severe deterioration of the mortar, place new concrete to match the original interior dimensions after abrasive blasting and removal of all loose material and by-products of corrosion. Restore invert/floor to the original elevation.
 - 3. Vacuum to remove all abrasives and debris.
- E. Repair all leaks by injecting grout using Avanti Multi-grout AV-202 or equivalent. Hydraulic cement shall not be used to stop any water leaks.
- F. Clean and remove dust material with pressure washing for maximum adhesion. Blow dry concrete at 250 cfm with 120 psi.
- G. Apply IET Systems Coating by the use of the IET Systems Spray Unit and IET Systems Spincaster. Apply IET coating at least three different intervals – prime coat, intermediate coat and finish coat, per IET Systems manufacturer instructions and specifications. The total thickness of the IET coating shall be at least 125 mils.
- H. Inspect lining system for holidays, cracks and pinholes. Take particular care to check lining over brick, block, heavy spalled surfaces, and other very rough surfaces and locate holes in the lining caused by voids in bricks, block, concrete and structure joints. Fill voids and holidays in accordance with the lining system manufacturer’s instructions.
- I. Provide a five (5) year unlimited warranty on all workmanship and products. The work includes the surface preparation and application of the IET coating system, and shall protect the structure for at least five (5) years from all leaks, and from failure due to corrosion from exposure to corrosive gases such as hydrogen sulfide.

3.3 KOPPERS BITUMASTIC NO. 300-M

- A. Wet well – For brick exterior below ground surfaces exposed during renovation, clean off dirt and debris with high pressure water cleaning. Patch leaking joints with hydraulic cement and coat exterior surfaces with a waterproofing cement coating. For exterior precast concrete below ground surfaces exposed during renovation, clean off dirt and debris with high pressure water cleaning. Patch leaking joints with hydraulic cement and coat exterior surfaces with three coats of Koppers Bitumastic No. 300-M bituminous seal coating. Each coat shall have a minimum dry film thickness of 10 mils per coat, for a total finish coating thickness of 30 mils dry film thickness. Exterior coating shall be Koppers Bitumastic No. 300-M (bituminous seal coating) or an equal approved by the Engineer of Record. New precast concrete wet well sections installed as part of the renovation contract shall be coated at the precast manufacturer's yard prior to shipment as described above.
- B. Valve Vault – Concrete surfaces shall be clean and dry prior to coating. Surfaces shall be free of dirt, loose cement, form oil, curing compounds and any other foreign material. Coatings shall be applied in accordance with manufacturer's instructions. Exterior below ground surfaces shall be coated with 3 coats of a bituminous seal coating with a minimum dry film thickness of 10 mils per coat, for a total finish coating thickness of 30 mils dry film thickness of Koppers Bitumastic No. 300-M.

Interior concrete surfaces of valve vault shall be coated with three coats of a coal tar epoxy coating with a minimum dry film thickness of 10 mils per coat, for a total finish coating thickness of 30 mils dry film thickness. Subsequent coats to the first coat shall be applied within 48 hours of the previous coat. The color of the coats shall be red for the first coat, black for the second coat, and red for the third coat.

END OF SECTION

SECTION 02620

HIGH DENSITY POLYETHYLENE (HDPE) PIPE AND FITTINGS

PART 1 GENERAL

1.1 SCOPE OF WORK

- A. Furnish all labor, materials, equipment, and incidentals required to install High Density Polyethylene (HDPE) pressure pipe, fittings, and appurtenances as shown on the Drawings and specified in the Contract Documents.
- B. High Density Polyethylene (HDPE) – City Utilities has the option of approving the use of HDPE for pipeline crossings of roadways, ditches, canals, and environmentally sensitive lands. HDPE mains shall have the same equivalent internal diameter and equivalent pressure class rating as the corresponding PVC pipe, unless otherwise approved by the City Manager or designee. For all roadway crossings requiring casing pipe, a steel or DR 11 HDPE casing pipe must be provided. The Department of Transportation having jurisdiction of said road and right-of-way must grant specific approval.

1.2 REFERENCED STANDARDS

- A. All standard specifications, i.e., Federal, ANSI, ASTM, etc., made a portion of these Specifications by reference, shall be the latest edition and revision thereof.

1.3 QUALIFICATIONS

- A. Furnish all HDPE pipe, fittings, and appurtenances by a single manufacturer who is fully experienced, reputable and qualified in the manufacture of the items to be furnished.

1.4 SUBMITTALS

- A. Submit to the ENGINEER, a list of materials to be furnished, the names of the suppliers, and the appropriate shop drawings for all HDPE pipe and fittings.
- B. Submit the pipe manufacturer's certification of compliance with the applicable sections of the Specifications.
- C. Submit shop drawings showing installation method and the proposed method and specialized equipment to be used.

1.5 INSPECTIONS AND TESTS

- A. All work shall be inspected by the City Manager or designee who shall have the authority to halt construction if, in his opinion, these specifications or standard construction practices are not being followed. Whenever any portion

of these specifications is violated, the City Manager or designee, may order further construction to cease until all deficiencies are corrected.

1.6 WARRANTY AND ACCEPTANCE

- A. Warrant all work to be free from defects in workmanship and materials for a period of one year from the date of completion of all construction. If work meets these specifications, a letter of acceptance, subject to the one year warranty period, shall be given at the time of completion. A final acceptance letter shall be given upon final inspection at the end of the one year warranty period, provided the work still complies with these specifications. In the event deficiencies are discovered during the warranty period, the CONTRACTOR shall correct them without additional charge to the CITY before final acceptance. During the warranty period, the ENGINEER will determine if warranty repairs or replacement work shall be performed by the CONTRACTOR. The decision of the ENGINEER shall be binding upon the CONTRACTOR.
- B. Installer Certification for The CONTRACTOR installing thermal butt fused HDPE pipe.

PART 2 PRODUCTS

2.1 POLYETHYLENE PIPE AND FITTINGS

- A. Provide polyethylene pressure pipe manufactured from PE3408 polyethylene meeting AWWA C906 standards. When specified by the ENGINEER on the construction drawings, as an alternate to PVC, HDPE (ductile iron pipe sized) piping can be used for buried applications. Iron pipe sized (IPS) HDPE piping can be used for below-ground applications as determined by the ENGINEER.
- B. The diameter of DR 11 HDPE casing pipe provided for roadway crossings or other purposes shall conform to the following table:

For PVC, DIP and HDPE Pressure Carrier Pipes:

<u>Carrier Pipe Nominal Size</u>	<u>Casing Pipe Nominal Diameter</u>
<u>Inches</u>	<u>Inches</u>
2	10
4	14
6	16
8	18
10	20

For PVC, DIP or HDPE Pressure Carrier Pipes (Continued):

<u>Carrier Pipe Nominal Size</u>	<u>Casing Pipe Nominal Diameter</u>
--------------------------------------	---

<u>Inches</u>	<u>Inches</u>
12	24
14	28
16	30
18	34
20	36
24	42

For Gravity Sewer Carrier Pipes:

<u>Carrier Pipe Nominal Size</u>	<u>Casing Pipe Nominal Diameter</u>
<u>Inches</u>	<u>Inches</u>
8	14
10	16
12	20
15	24
18	26
21	30
24	32
27	36

- C. HDPE to HDPE pipe connections shall be by thermal butt fusion. Thermal fusion shall be accomplished in accordance with the pipe manufacturer and fusion equipment supplier specifications. The CONTRACTOR installing thermal butt fused HDPE pipe shall be certified in this type of work and have a minimum of five years experience performing this type of work. The CONTRACTOR shall provide certification to the Engineer of Record, who will provide the Engineering Review Services Department with the certification.
- D. Qualification of Manufacturer: The Manufacturer shall have manufacturing and quality control facilities capable of producing and assuring the quality of the pipe and fittings required by these specifications. The Manufacturer's production facilities shall be open for inspection by the City Manager or designee. Qualified manufacturers shall be approved by the City Manager or designee.
- E. Approved Manufacturer: Manufacturers that are qualified and approved are listed below:

Performance Pipe, a Division of Chevron Phillips Chemical Company, LP
PolyPipe, Rinkers Materials Corporation

Products from other manufacturers proposed for the work must receive approval from the City Manager or designee prior to ordering.

- F. Materials: Materials used for the manufacture of polyethylene pipe and fittings shall be PE3408 high density polyethylene meeting cell classification 345434C or 345434E per ASTM D3350; and meeting Type III, Class B or Class C, Category 5, Grade P34 per ASTM D1248; and shall be listed in the name of the pipe and fitting manufacturer in PPI (Plastics Pipe Institute) TR-4, Recommended Hydrostatic Strengths and Design Stresses for Thermoplastic Pipe and Fittings Compounds,

with a standard grade rating of 1600 psi at 73°F. The Manufacturer shall certify that the materials used to manufacture pipe and fittings meet these requirements.

- G. Polyethylene Pipe: Polyethylene pipe shall be manufactured in accordance with ASTM F714, Polyethylene (PE) Plastic Pipe (SDR-PR) Based on Outside Diameter or ASTM D3035, Polyethylene (PE) Plastic Pipe (DR-PR) Based on Controlled Outside Diameter and shall be so marked. Each production lot of pipe shall be tested for (from material or pipe) melt index, density, % carbon, (from pipe) dimensions and either quick burst or ring tensile strength (equipment permitting).
- H. Color Identification: HDPE must have at least three equally spaced horizontal colored marking stripes. Permanent identification of piping service shall be provided by adhering to the following colors.
- Blue – potable water (Underground HDPE pipe shall be one of the following:
 - a. Solid-wall blue pipe;
 - b. Co-extruded blue external skin; or
 - c. White or black pipe with blue stripes incorporated into, or applied to, the pipe wall.
 - White – raw water
 - Green – wastewater, sewage
 - Pantone Purple – non-potable irrigation, reclaimed or reuse water
- I. Polyethylene Fittings and Custom Fabrications: Polyethylene fittings and custom fabrications shall be molded or fabricated by the pipe manufacturer. Butt fusion outlets shall be made to the same outside diameter, wall thickness, and tolerances as the mating pipe. All fittings and custom fabrications shall be fully rated for the same internal pressure as the mating pipe. Pressure de-rated fabricated fittings are prohibited.
- J. Molded Fittings: Molded fittings shall be manufactured in accordance with ASTM D3261, Butt Heat Fusion Polyethylene (PE) Plastic Fittings for Polyethylene (PE) Plastic Pipe and Tubing, and shall be so marked. Each production lot of molded fittings shall be subjected to the tests required under ASTM D3261.
- K. X-Ray Inspection: The Manufacturer shall submit samples from each molded fittings production lot to x-ray inspection for voids, and shall certify that voids were not found.
- L. Fabricated Fittings: Fabricated fittings shall be made by heat fusion joining specially machined shapes cut from pipe, polyethylene sheet stock, or molded fittings. Fabricated fittings shall be rated for internal pressure service equivalent to the full service pressure rating of the mating pipe. Directional fittings 16" IPS and larger such as elbows, tees, crosses, etc., shall have a plain end inlet for butt fusion and flanged directional outlets. Part drawings shall be submitted for the approval of the ENGINEER.

- M. Polyethylene Flange Adapters: Flange adapters shall be made with sufficient through-bore length to be clamped in a butt fusion joining machine without the use of a stub-end holder. The sealing surface of the flange adapter shall be machined with a series of small v-shaped grooves to provide gasketless sealing, or to restrain the gasket against blow-out.
- N. Back-up Rings and Flange Bolts: Flange adapters shall be fitted with lap joint flanges pressure rated equal to or greater than the mating pipe. The lap joint flange bore shall be chamfered or radiused to provide clearance to the flange adapter radius. Flange bolts and nuts shall be Grade 2 or higher.

2.2 MANUFACTURER'S QUALITY CONTROL

- A. The pipe and fitting manufacturer shall have an established quality control program responsible for inspecting incoming and outgoing materials. Incoming polyethylene materials shall be inspected for density, melt flow rate, and contamination. The cell classification properties of the material shall be certified by the supplier, and verified by Manufacturer's Quality Control. Incoming materials shall be approved by Quality Control before processing into finished goods. Outgoing materials shall be checked for:
 - 1. Outside diameter, wall thickness, and eccentricity as per ASTM D2122 at a frequency of at least once/hour or once/coil, whichever is less frequent.
 - 2. Out of Roundness at frequency of at least once/hour or once/coil, whichever is less frequent.
 - 3. Straightness, inside and outside surface finish, markings and end cuts shall be visually inspected as per ASTM F714 on every length of pipe.
- B. Quality Control shall verify production checks and test for:
 - 1. Density as per ASTM D1505 at a frequency of at least once per extrusion lot.
 - 2. Melt Index as per ASTM D1238 at a frequency of at least once per extrusion lot.
 - 3. Carbon content as per ASTM D1603 at a frequency of at least once per day per extrusion line.
 - 4. Quick burst pressure (sizes thru 4-inch) as per ASTM D1599 at a frequency of at least once per day per line.
 - 5. Ring Tensile Strength (sizes above 4-inch equipment permitting) as per ASTM D2290 at a frequency of at least once per day per line.
 - 6. ESCR (size permitting) as per ASTM F1248 at a frequency of at least once per extrusion lot.

- C. X-ray inspection shall be used to inspect molded fittings for voids, and knit line strength shall be tested. All fabricated fittings shall be inspected for joint quality and alignment.

2.3 COMPLIANCE TESTS

- A. In case of conflict with Manufacturer's certifications, the CONTRACTOR, ENGINEER, or City Manager or designee may request re-testing by the manufacturer or have re-tests performed by an outside testing service. All re-testing shall be at the requestor's expense, and shall be performed in accordance with the Specifications.
- B. Installation shall be in accordance with Manufacturer's recommendations and this specification. All necessary precautions shall be taken to ensure a safe working environment in accordance with the applicable codes and standards.

PART 3 EXECUTION

3.1 INSTALLATION OF HIGH DENSITY POLYETHYLENE PRESSURE PIPE AND FITTINGS

- A. Install all high density polyethylene (HDPE) pressure pipe by direct bury, directional bore, or a method approved by the CITY or ENGINEER prior to construction. If directional bore is used, or if directed by the City Manager or designee or ENGINEER, surround the entire area of construction by silt barriers.

Install all high density polyethylene pressure pipe and fittings in accordance with Manufacturer's recommendations, and this specification. Take all necessary precautions to ensure a safe working environment in accordance with the applicable codes and standards.

3.2 HEAT FUSION JOINING

- A. Make joints between plain end pipes and fittings by butt fusion, and joints between the main and saddle branch fittings by using saddle fusion using only procedures that are recommended by the pipe and fitting Manufacturer. Ensure that persons making heat fusion joints have received training and certification for heat fusion in the Manufacturer's recommended procedure. Maintain records of trained personnel, and shall certify that training was received not more than 12 months before commencing construction. External and internal beads shall not be removed.

3.3 MECHANICAL JOINING

- A. Polyethylene pipe and fittings may be joined together or to other materials by means of flanged connections (flange adapters and back-up rings) or mechanical couplings designed for joining polyethylene pipe or for joining polyethylene pipe to another material. A stainless steel sleeve insert shall be used with a mechanical coupling. Mechanical couplings shall be fully pressure rated and fully thrust

restrained such that when installed in accordance with manufacturer's recommendations, a longitudinal load applied to the mechanical coupling will cause the pipe to yield before the mechanical coupling disjoins. Do not use external joint restraints in lieu of fully restrained mechanical couplings.

3.4 BRANCH CONNECTIONS

- A. Make branch connections to the main with saddle fittings or tees. Saddle fuse polyethylene saddle fittings to the main pipe.

3.5 EXCAVATION

- A. Excavate trenches in conformance to this specification, the plans and drawings, or as authorized in writing by the City Manager or designee, and in accordance with all applicable codes. Remove excess groundwater. Where necessary, shore or reinforce trench walls.

3.6 LARGE DIAMETER FABRICATED FITTINGS

- A. Butt fuse fabricated directional fittings 16" IPS and larger to the end of a pipe. Make up the flanged directional outlet connections in the trench.

3.7 MECHANICAL JOINT AND FLANGE INSTALLATION

- A. Install mechanical joints and flange connections in accordance with the Manufacturer's recommended procedure. Center and align flange faces to each other before assembling and tightening bolts. Do not use the flange bolts to draw the flanges into alignment. Lubricate bolt threads, and fit flat washers under the flange nuts. Tighten bolts evenly according to the tightening pattern and torque step recommendations of the Manufacturer. At least one hour after initial assembly, re-tighten flange connections following the tightening pattern and torque step recommendations of the Manufacturer. The final tightening torque shall be 100 ft-lbs or less as recommended by the Manufacturer.

3.8 FOUNDATION AND BEDDING

- A. Lay pipe on grade and on a stable foundation. Remove unstable or mucky trench bottom soils, and install a 6-inch foundation or bedding of compacted Class I material to pipe bottom grade. Remove excess groundwater from the trench before laying the foundation or bedding and the pipe. A trench cut in rock or stony soil shall be excavated to 6 inches below pipe bottom grade, and brought back to grade with compacted Class I bedding. Remove all ledge rock, boulders, and large stones.

3.9 PIPE HANDLING

- A. When lifting with slings, use only wide fabric choker slings to lift, move, or lower pipe and fittings. Do not use wire rope or chain. Slings shall be of sufficient capacity for the load, and shall be inspected before use. Do not use worn or defective equipment.

3.10 TESTING

- A. Hydrostatic Pressure Testing: Pressure test and flush HDPE pipes after swabbing in accordance with Section 02675 and 02676.

END OF SECTION

SECTION 02622

POLYVINYL CHLORIDE (PVC) PIPE AND FITTINGS

PART 1 GENERAL

1.1 SUMMARY

- A. Section Includes: Requirements for providing buried PVC pipe, fittings and appurtenances.
1. Provide PVC pipe and fittings complete with all necessary jointing facilities and materials, specials, adapters and other appurtenances required for installation in and completion of the pipelines to be constructed.
 2. Provide plain end or rubber gaskets (push-on or mechanical joint) of the types, sizes and classes shown or specified.
- B. Related Work Specified In Other Sections Includes:
1. Section 02630 - Buried Ductile-Iron Pipe and Fittings
 2. Section 02650 - Laying and Jointing Buried Pipelines
 3. Section 02675 – Disinfection
 4. Section 02676 - Leakage Tests

1.2 REFERENCES

- A. Codes and standards referred to in this Section are:
1. ASTM D3034 - Type PSM Polyvinyl Chloride (PVC) Sewer Pipe and Fittings
 2. ASTM F679 - Polyvinyl Chloride (PVC) Large Diameter Plastic Gravity Sewer Pipe and Fittings
 3. AWWA C900 - Polyvinyl Chloride (PVC) Pressure Pipe, 4 In. through 12 In., for Water Distribution
 4. AWWA C901 – Polyethylene (PE) Pressure Pipe and Tubing, ½ In. through 3 In for water service
 5. AWWA C905 - Polyvinyl Chloride (PVC) Water Transmission Pipe, Nominal Diameters 14 In. through 36 In.

6. AWWA C907 - Polyvinyl Chloride (PVC) Pressure Fittings for Water - 4 In. through 8 In.
7. ASTM D2321 - Underground Installation of Flexible Thermoplastic Sewer Pipe
8. ASTM F477 - Elastomeric Seals (Gaskets) For Joining Plastic Pipe
9. ANSI A21.10 - Ductile-Iron and Gray-Iron Fittings 3 inches through 48 inches, for Water and Other Liquids
10. ANSI A21.11 - Rubber-Gasket Joints for Ductile-Iron and Gray Iron Pressure Pipe and Fittings
11. Uni-Bell B-11

1.3 SYSTEM DESCRIPTION

- A. Gravity Sewer Pipe - PVC pipe shall be of the integral wall bell and spigot joint type, which meets or exceeds all requirements set forth in ASTM D3034, latest revision. Minimum wall thickness shall conform to ASTM SDR 26. PVC pipes used for gravity sewers shall be green in color. Fittings shall be made of PVC plastic as defined by ASTM SDR 26 1784, latest revision. Flexible gasketed joints shall be compression type conforming to ASTM D3201, latest revision. Joints shall have elastomeric joint gaskets and shall conform to ASTM F477, latest revision. Lubricant and gaskets are to be supplied with the pipe by the manufacturer of the pipe. Other types of lubricants are prohibited. At all conflict crossings using 4"-12" substitute C900 PVC, Class 200, DR 14 and for PVC pipe 14" and larger use C905 PVC, Class 235, DR 18.
- B. Force Main Pipe – PVC pipe meeting the latest revision of AWWA C900 or AWWA C905 shall be provided. For installation of 4" – 12" pipe, the pressure class shall be 235 with a DR of 18. For installation of 14" – 24" pipe, use pressure class 200, DR 21, meeting or exceeding the requirements of Uni-Bell B-11. PVC pipes used for force mains shall be green in color. Outside diameters shall be equivalent to ductile iron pipe of the same nominal size. Pipes shall be marked with the manufacturer's name, nominal size, type of plastic, and pressure rating. Joints between successive lengths of straight PVC pipe shall be compression type using a single elastomeric gasket, per ASTM C-3139 and F477. Lubricant and gaskets are to be supplied with the pipe by the manufacturer of the pipe. Other types of lubricants are prohibited. Fittings shall be ductile iron (see Section 02630, 2.4.B). Restraint shall be provided for horizontal or vertical alignment changes using uni-flange type collars, epoxy coated, with high strength, low alloy hardware, and shall be EBAA "Megalug," "Uni-flange," Romac "Grip Ring," Sigma, Tyler, or Star restraint. (see also Section 2.1.L.) Fittings above 8 inch shall conform to the standards in Section 02505, until such time that C900 rated fittings in sizes larger than 8 inch are available. PVC pipe direct buried beneath roadways, parking lots or parking lot entrances shall meet AWWA Specification C900 or C905, latest revision. All 4" to 12" pipe in such locations shall be a minimum of Class 305, DR 14, and all 14" to 24" pipe shall be a minimum of Class 235, DR 18. Pressure

Class 250 ductile iron pipe may be used instead of PVC in these locations if approved by the City Manager or designee.

- C. Potable, Raw and Non-Potable Irrigation Water Main Pipe - PVC shall conform to AWWA Specification C900 or C905, latest revision. All 4" to 12" pipe shall be a minimum of Class 235, DR 18 and all 14" to 24" pipe shall be a minimum of Class 200, DR 21 and shall meet or exceed Uni-Bell B-11. All potable water pipe shall bear the seal of the National Sanitation Foundation (NSF) for potable water pipe. All pipe shall be marked with the manufacturer's name, nominal size, type of plastic and pressure rating. All PVC pipe used for potable water lines shall be predominately blue in color. Underground PVC pipes used for potable water lines shall be solid-wall blue pipe, will have a co-extruded blue external skin, or will be white or black pipe with blue stripes incorporated into, or applied to, the pipe wall. PVC pipes used for raw water shall be olive green in color. PVC pipes used for non-potable irrigation, reclaimed or reuse water shall be purple in color. Pipe O.D. shall be equivalent to cast iron pipe of the same nominal size. See Section 2.1.L for joint restraint information. PVC pipe direct buried beneath roadways, parking lots or parking lot entrances shall meet AWWA Specification C900 or C905, latest revision. All 4" to 12" pipe in such locations shall be a minimum of Class 305, DR 14, and all 14" to 24" pipe shall be a minimum of Class 235, DR 18. Pressure Class 250 ductile iron pipe may be used instead of PVC in these locations if approved by the City Manager or designee. Fittings shall be ductile iron (see Section 02630, 2.4.A). Water service lines less than 4" shall be polyethylene service tubing PE 4710 DR-9 Pressure Class 250. When going under roads, service lines 2" and smaller shall be encased in schedule 80 PVC a minimum of twice the nominal outside diameter of the carrier pipe; for 3" and larger under roads, use Class 200 6" PVC casing. Water service lines shall be continuous polyethylene service tubing with no fittings/couplings.
- D. Provide pipe of the various sizes and classes as specified in the schedule or shown. Restrain all pressure pipe joints.
- E. Construct concrete encasements only with written permission from the Water Director.

1.4 SUBMITTALS

- A. General: Provide all submittals, including the following, as specified in Division 1.
- B. Submit the following shop drawings:
 - 1. Pipe joints, fittings, sleeves and cleanouts. Where special designs or fittings are required, show the work in large detail and completely describe and dimension all items.
 - 2. Fully dimensioned drawings of piping layouts, including fittings, couplings, sleeves, cleanouts, valves, supports and anchors. Label pipe size, materials, type, and class on drawings and include the limits of each reach of restrained joints. Provide cross sections showing elevations of cleanouts, pipes, fittings, sleeves, and valves.

3. Catalog data for pipe, joints, fittings, sleeves, harnessing and cleanouts.
- C. Quality Control: Submit certificate of compliance for pipe, fittings, gaskets, coatings, specials, sleeves and cleanouts in accordance with this Section.

1.5 DELIVERY, STORAGE AND HANDLING

- A. Deliver, store and handle all pipe, fittings and appurtenances as specified in Division 1 and Section 02650.

PART 2 PRODUCTS

2.1 MATERIALS

- A. PVC Pipes and Fabricated Fittings: PVC pipe and fabricated fittings shall be made from virgin PVC resin that has been compounded to provide physical and chemical properties that equal or exceed cell class 12454-B as defined in ASTM D1784, and shall qualify for a hydrostatic design basis of 4,000 psi (27.58 MPa) at 73.4°F (23°C) per the requirements of PPI TR-3.
- B. Fittings for Pressure Pipe: Provide all fittings meeting the requirements of Section 02630, except for PVC pipe 2 ½" or smaller, in which case use specifications above.
- C. Joints and Fittings for Gravity Sewer Pipe: Provide all fittings meeting the requirements of ASTM D 3034 and ASTM F 679. Provide joints that are a molded integral part of the pipe section. Do not use joints or couplings furnished loose. Provide joints with elastomeric gasket joints.
- D. Joints for Pressure Pipe: Provide pipe with bell ends in accordance with AWWA C900 and AWWA C905. Provide joints with elastomeric gasket joints.
- E. Elastomeric Gasket Joints: Provide elastomeric gasket joints in accordance with ASTM F 477.
- F. Rubber Gasket Joints: Provide mechanical joints meeting the requirements of ANSI A21.11.
- G. Color: Provide pipe made of 100 percent of the color specified. Provide green sewer or force main pipe. Provide blue potable water pipe. Provide olive green raw water pipe. Provide purple non-potable irrigation, reclaimed or reuse water pipe.
- H. Pipe Marking: Provide mark on each pipe at internals of 5 feet or less to designate compliance with applicable ASTM or AWWA specification.

- I. Temporary Bulkheads: Provide temporary bulkheads at the ends of sections where adjoining pipelines have not been completed and are not ready to connect.
 - 1. Remove all temporary bulkheads when they are no longer needed.
- J. Date of Manufacturer: Provide pipe and fitting manufactured no earlier than 12 month period proceeding the date of the Agreement.
- K. Wall Thickness for Pressure Pipe:
 - 1. 4 through 12 inches diameter – provide AWWA-C900 DR 14, Class 200 for pressure pipe installed under pavement.
 - 2. 14 through 24 inches diameter – provide AWWA-C905 DR 25, PR 165 for pressure pipe installed under pavement.
- L. Restraining Devices: Restraining joints shall be placed at all bends, tees, plugs, reducers, and other fittings to provide lateral support, and shall conform to the City Standard Details. Concrete thrust blocks shall only be utilized if approved by City Utilities. Restrained joint shall be capable of deflection during assembly. Deflection shall not exceed the manufacturer recommendations. Tee head bolts and nuts for restrained joints shall be manufactured of Corten-A, high strength, low alloy, corrosion resistant steel.
 - 1. Joint restraint devices for ductile iron mechanical joint fittings to PVC pipe shall be EBAA Iron Sales, Series 2000PV, Uniflange, Sigma, Star, Tyler, Lok-Type or Tr-Flex manufactured by U.S. Pipe Co., Lok-Fast or Lok-Ring manufactured by American Cast Iron Pipe Co., or Romac Industries.
 - 2. Bell joint restraint devices for PVC push joint pipe shall be EBAA Iron Sales, Series 1600 for C900 pipe and Series 2800 for C905 pipe or approved equal.

PART 3 EXECUTION

3.1 INSTALLATION

- A. Install all buried PVC pipe and fittings in accordance with the manufacturer's recommendations and approved shop drawings and as specified in Division 1 and Section 02650.

3.2 LEAKAGE TESTING

- A. Cleaning: Flush clean and test all pipes after installation.
- B. Testing: Test pipes for leaks and repair or tighten as required.
- C. Procedures: Conduct tests in accordance with Section 02676.

3.3 DISINFECTION

- A. General: Disinfect all pipelines that are to carry potable water before they are placed in service as specified in Section 02675.

3.4 SCHEDULES

- A. Refer to the Schedules contained in Section 02650 Laying and Jointing Buried Pipelines for information on the piping that is to be constructed using the pipe materials and methods specified herein.

END OF SECTION

SECTION 02623

FUSIBLE POLYVINYLCHLORIDE PIPE

PART 1 –GENERAL

1.01 DESCRIPTION

A SCOPE

1. This section specifies fusible polyvinylchloride pipe, including standards for dimensionality, testing, quality, acceptable fusion practice, safe handling and storage.

B PIPE DESCRIPTION

1. Pipe Supplier shall furnish fusible polyvinylchloride pipe conforming to all standards and procedures, and meeting all testing and material properties as described in this specification.
2. Pipe shall conform to the following dimensionality and general characteristics table:

<u>Pipe Description</u>	<u>Nominal Diameter (in.)</u>	<u>DR</u>	<u>Color</u>	<u>Pressure Class (psi)</u>	<u>Required Inner Diameter (in.)</u>

1.02 QUALITY ASSURANCE

A REFERENCES:

1. This section contains references to the following documents. They are a part of this section as specified and modified. Where a referenced document contains references to other standards, those other standards are included as references under this section as if referenced directly. In the event of a conflict between the requirements of this section and those of the listed documents, the requirements of this section shall prevail.
2. Unless otherwise specified, references to documents shall mean the documents in effect at the time of construction. If referenced documents have been discontinued by the issuing organization, references to those documents shall mean the replacement documents issued or otherwise identified by that organization or, if there are no replacement documents, the last version of the document before it was discontinued.
3. Where document dates are given in the following listing, references to those documents shall mean the specific document version associated with that date, regardless of whether the document has been superseded by a version with a later date, discontinued or replaced.

Reference	Title
ANSI/AWWA C110/A21.10	American National Standard for Ductile-Iron and Gray-Iron Fittings, 3-inch through 48-inch, for Water and Other Liquids
ANSI/AWWA C111/A21.11	American National Standard for Rubber-Gasket Joints for Ductile-Iron Pressure Pipe and Fittings
AWWA C605	Standard for Underground Installation of Polyvinyl Chloride (PVC) Pressure Pipe and Fittings for Water
AWWA C651	Standard for Disinfecting Water Mains
AWWA C900	Standard for Polyvinyl Chloride (PVC) Pressure Pipe and Fabricated Fittings, 4 in. through 12 in. (100mm through 300mm), for Water Distribution
AWWA C905	Standard for Polyvinyl Chloride (PVC) Pressure Pipe and Fabricated Fittings, 14 in. through 48 in. (350mm-1200mm), for Water Distribution
AWWA M23	AWWA Manual of Supply Practices PVC Pipe—Design and Installation, Second Edition
ASTM C923	Standard Specification for Resilient Connectors Between Reinforced Concrete Manhole Structures, Pipes and Laterals
ASTM D1784	Rigid Poly (Vinyl Chloride) (PVC) Compounds and Chlorinated Poly (Vinyl Chloride) (CPVC) Compounds
ASTM D1785	Poly (Vinyl Chloride) (PVC) Plastic Pipe, Schedules 40, 80, and 120
ASTM D2152	Test Method for Degree of Fusion of Extruded Poly(Vinyl Chloride) (PVC) Pipe and Molded Fittings by Acetone Immersion
ASTM D2241	Poly (Vinyl Chloride) (PVC) Plastic Pipe (SDR-PR)
ASTM D2665	Poly (Vinyl Chloride) (PVC) Plastic Drain, Waste, and Vent Pipe and Fittings
ASTM D3034	Standard Specification for Type PSM Poly(Vinyl Chloride) (PVC) Sewer Pipe and Fittings
ASTM F477	Elastomeric Seals (Gaskets) for Joining Plastic Pipe
ASTM F679	Standard Specification for Poly(Vinyl Chloride) (PVC) Large Diameter Plastic Gravity Sewer Pipe and Fittings
ASTM F1057	Standard Practice for Estimating the Quality of Extruded Poly (Vinyl Chloride) (PVC) Pipe by the Heat Reversion Technique
ASTM F1417	Standard Test Method for Installation Acceptance of Plastic Gravity Sewer Lines Using Low-Pressure Air
UNI-PUB-6	Recommended Practice for Low-Pressure Air Testing of Installed Sewer Pipe
UNI-PUB-8	Recommended Practice for the Direct Tapping of Polyvinyl Chloride (PVC) Pressure Water Pipe (Nominal Diameters 6-12 Inch)
NSF-14	Plastics Piping System Components and Related Materials
NSF-61	Drinking Water System Components--Health Effects

Reference	Title
PPI TR-2	PVC Range Composition Listing of Qualified Ingredients

B MANUFACTURER REQUIREMENTS

1. Fusible polyvinylchloride pipe shall be tested at the extrusion facility for properties required to meet all applicable parameters as outlined in either AWWA C900, AWWA C905, applicable sections of ASTM D2241, ASTM D3034, or ASTM F679 . Testing priority shall be in conformance with AWWA C900 and AWWA C905, except for pipe made to the ASTM D3034 or ASTM F679 standards, which shall be tested to those standards. All piping shall be made from a PVC compound conforming to cell classification 12454 per ASTM D1784.

C FUSION TECHNICIAN REQUIREMENTS

1. Fusion Technician shall be fully qualified by the pipe supplier to install fusible polyvinylchloride pipe of the type(s) and size(s) being used. Qualification shall be current as of the actual date of fusion performance on the project.

D SPECIFIED PIPE SUPPLIERS

1. Fusible polyvinylchloride pipe shall be used as manufactured under the trade names Fusible C-900®, Fusible C-905®, and FPVC™, for Underground Solutions, Inc., Poway, CA, (858) 679-9551. Fusion process shall be as patented by Underground Solutions, Inc., Poway, CA, Patent No. 6,982,051. owner and engineer are aware of no other supplier or fusible polyvinylchloride pipe that is an equal to this specified pipe supplier and product.

E WARRANTY

1. The pipe shall be warranted for one year per the pipe supplier's standard terms.
2. In addition to the standard pipe warranty, the fusion services shall be warranted for one year per the fusion service provider's standard terms.

F PRE-CONSTRUCTION SUBMITTALS

1. The following PRODUCT DATA is required from the pipe supplier and/or fusion provider:
 - 1) Pipe Size
 - 2) Dimensionality
 - 3) Pressure Class per applicable standard
 - 4) Color
 - 5) Recommended Minimum Bending Radius
 - 6) Recommended Maximum Safe Pull Force
 - 7) Pipe and fusion services warranty information.

- 8) Written procedural documentation for piping products including proper handling and storage, installation, tapping, and testing.
- 9) Fusion technician qualification indicating conformance with this specification.

G POST-CONSTRUCTION SUBMITTALS

1. The following AS-RECORDED DATA is required from the contractor and/or fusion provider to the Owner or pipe supplier upon request:
 - 1) Fusion report for each fusion joint performed on the project, including joints that were rejected. Specific requirements of the Fusion Technician's joint report shall include:
 - a) Pipe Size and Thickness
 - b) Machine Size
 - c) Fusion Technician Identification
 - d) Job Identification
 - e) Fusion Joint Number
 - f) Fusion, Heating, and Drag Pressure Settings
 - g) Heat Plate Temperature
 - h) Time Stamp
 - i) Heating and Cool Down Time of Fusion
 - j) Ambient Temperature

PART 2 – PRODUCTS

2.01 FUSIBLE POLYVINYLCHLORIDE PRESSURE PIPE FOR POTABLE WATER

- A Fusible polyvinylchloride pipe shall conform to AWWA C900 or AWWA C905, and/or ASTM D2241 or ASTM D1785 for IPS standard dimensions if applicable. Testing shall be in accordance with AWWA standards for all pipe types.
- B Rework material shall be allowed per AWWA C900 and AWWA C905 standards.
- C Fusible polyvinylchloride pipe shall be extruded with plain ends. The ends shall be square to the pipe and free of any bevel or chamfer. There shall be no bell or gasket of any kind incorporated into the pipe.
- D Fusible polyvinylchloride pipe shall be manufactured in a standard 20', 30' or 40' nominal length.
- E Fusible polyvinylchloride pipe shall be blue in color for potable water use.
- F Pipe generally shall be marked per AWWA C900 or AWWA C905, and shall include as a minimum:
 1. Nominal pipe size

2. PVC
3. Dimension Ratio, Standard Dimension Ratio or Schedule
4. AWWA pressure class or standard pressure rating for non-AWWA pipe
5. AWWA Standard designation number or pipe type for non-AWWA pipe
6. NSF-61 mark verifying suitability for potable water service
7. Extrusion production-record code
8. Trademark or trade name
9. Cell Classification 12454 and/or PVC material code 1120 may also be included

G Pipe shall be homogeneous throughout and be free of visible cracks, holes, foreign material, blisters, or other visible deleterious faults.

2.02 FUSIBLE POLYVINYLCHLORIDE PRESSURE PIPE FOR NON-POTABLE WATER

- A Fusible polyvinylchloride pipe shall conform to AWWA C900 or AWWA C905, and/or ASTM D2241 or ASTM D1785 for IPS standard dimensionality, if applicable. Testing shall be in accordance with AWWA standards for all pipe types.
- B Rework material shall be allowed per AWWA C900 and AWWA C905 standards.
- C Fusible polyvinylchloride pipe shall be extruded with plain ends. The ends shall be square to the pipe and free of any bevel or chamfer. There shall be no bell or gasket of any kind incorporated into the pipe.
- D Fusible polyvinylchloride pipe shall be manufactured in a standard 20', 30' or 40' nominal length.
- E Fusible polyvinylchloride pipe shall be purple in color for reclaim, reuse, or other non-potable distribution or conveyance. Fusible polyvinylchloride pipe shall be white in color for raw water collection and transmission, or other non-potable resource or irrigation water uses.
- F Pipe generally shall be marked per AWWA C900 or AWWA C905, and shall include as a minimum:
1. Nominal pipe size
 2. PVC
 3. Dimension Ratio, Standard Dimension Ratio or Schedule
 4. AWWA pressure class or standard pressure rating for non-AWWA pipe
 5. AWWA Standard designation number or pipe type for non-AWWA pipe
 6. Extrusion production-record code
 7. Trademark or trade name
 8. Cell Classification 12454 and/or PVC material code 1120 may also be

included

9. For reclaim water service, the wording: "Reclaimed Water, NOT for Potable Use"

G Pipe shall be homogeneous throughout and be free of visible cracks, holes, foreign material, blisters, or other visible deleterious faults.

2.03 FUSIBLE POLYVINYLCHLORIDE PRESSURE PIPE FOR WASTEWATER

A Fusible polyvinylchloride pipe shall conform to AWWA C900 or AWWA C905, and/or ASTM D2241 or ASTM D1785 for IPS standard dimensionality, if applicable. Testing shall be in accordance with AWWA standards for all pipe types.

B Rework material shall be allowed per AWWA C900 and AWWA C905 standards.

C Fusible polyvinylchloride pipe shall be extruded with plain ends. The ends shall be square to the pipe and free of any bevel or chamfer. There shall be no bell or gasket of any kind incorporated into the pipe.

D Fusible polyvinylchloride pipe shall be manufactured in a standard 20', 30' or 40' nominal length.

E Fusible polyvinylchloride pipe shall be green in color for wastewater use.

F Pipe generally shall be marked per AWWA C900 or AWWA C905, and shall include as a minimum:

1. Nominal pipe size
2. PVC
3. Dimension Ratio, Standard Dimension Ratio or Schedule
4. AWWA pressure class or standard pressure rating for non-AWWA pipe
5. AWWA Standard designation number or pipe type for non-AWWA pipe
6. Extrusion production-record code
7. Trademark or trade name
8. Cell Classification 12454 and/or PVC material code 1120 may also be included.

G Pipe shall be homogeneous throughout and be free of visible cracks, holes, foreign material, blisters, or other visible deleterious faults.

2.04 FUSIBLE POLYVINYLCHLORIDE NON-PRESSURE PIPE FOR WASTEWATER OR SURFACE WATER

A Fusible polyvinylchloride pipe shall conform to ASTM D3034 or ASTM F679.

B Fusible polyvinylchloride pipe may instead conform to AWWA C900 or AWWA C905, and/or ASTM D2241 or ASTM D1785 for IPS standard dimensionality, if applicable. Testing shall be in accordance with AWWA standards for any of these pipe types.

- C Rework material shall be allowed per ASTM D3034, ASTM F679, AWWA C900 or AWWA C905 standards.
- D Fusible polyvinylchloride pipe shall be extruded with plain ends. The ends shall be square to the pipe and free of any bevel or chamfer. There shall be no bell or gasket of any kind incorporated into the pipe.
- E Fusible polyvinylchloride pipe shall be manufactured in a standard 20', 30' or 40' nominal length.
- F Fusible polyvinylchloride pipe shall be green in color for wastewater use. Fusible polyvinylchloride pipe shall be white in color for surface or storm water use.
- G Pipe generally shall be marked per AWWA C900 or AWWA C905, and shall include as a minimum:
 1. Nominal pipe size
 2. PVC
 3. Dimension Ratio, Standard Dimension Ratio or Schedule (omit for ASTM D3034 or ASTM F679 pipe)
 4. Pipe legend or stiffness designation, or AWWA pressure class, or standard pressure rating for non-AWWA pipe
 5. AWWA Standard designation number or pipe type for non-AWWA pipe (omit for ASTM D3034 or ASTM F679 pipe)
 6. Extrusion production-record code
 7. Trademark or trade name
 8. Cell Classification 12454 and/or PVC material code 1120 may also be included.
- H Pipe shall be homogeneous throughout and be free of visible cracks, holes, foreign material, blisters, or other visible deleterious faults.

2.05 FUSION JOINTS

- A Unless otherwise specified, fusible polyvinylchloride pipe lengths shall be assembled in the field with butt-fused joints. The Contractor shall follow the pipe supplier's written guidelines for this procedure. All fusion joints shall be completed as described in this specification.

2.06 CONNECTIONS AND FITTINGS FOR PRESSURE APPLICATIONS

- A Connections shall be defined in conjunction with the coupling of project piping, as well as the tie-ins to other piping systems.
- B **DUCTILE IRON MECHANICAL AND FLANGED FITTINGS**
Acceptable fittings for use with fusible polyvinylchloride pipe shall include standard ductile iron fittings conforming to AWWA/ANSI C110/A21.10 and AWWA/ANSI C111/A21.11.

1. Connections to fusible polyvinylchloride pipe may be made using a

restrained or non-restrained retainer gland product for PVC pipe, as well as for MJ or flanged fittings.

2. Bends, tees and other ductile iron fittings shall be restrained with the use of thrust blocking or other means as indicated in the construction documents.
3. Ductile iron fittings and glands must be installed per the manufacturer's guidelines.

C PVC GASKETED, PUSH-ON FITTINGS

Acceptable fittings for use with fusible polyvinylchloride pipe shall include standard PVC pressure fittings conforming to AWWA C900 or AWWA C905.

1. Acceptable fittings for use joining fusible polyvinylchloride pipe other sections of fusible polyvinylchloride pipe or other sections of PVC pipe shall include gasketed PVC, push-on type couplings and fittings, including bends, tees, and couplings as shown in the drawings.
2. Bends, tees and other PVC fittings shall be restrained with the use of thrust blocking or other restraint products as indicated in the construction documents.
3. PVC gasketed, push-on fittings and mechanical restraints, if used, must be installed per the manufacturer's guidelines.

D FUSIBLE POLYVINYL CHLORIDE SWEEPS OR BENDS

1. Fusible polyvinyl chloride sweeps or bends shall conform to the same sizing convention, diameter, dimensional tolerances and pressure class of the pipe that they are joining together.
2. Fusible polyvinyl chloride sweeps or bends shall be manufactured from the same fusible polyvinyl chloride pipe being used for the installation, and shall have at least 2 feet of straight section on either end of the sweep or bend to allow for fusion of the sweep to the pipe installation.
3. Standard fusible polyvinyl chloride sweep or bend angles shall not be greater than 22.5 degrees, and shall be used in nominal diameters ranging from 4 inch through 16 inch.

E SLEEVE-TYPE COUPLINGS

1. Sleeve-type mechanical couplings shall be manufactured for use with PVC pressure pipe, and may be restrained or unrestrained as indicated in the construction documents.
2. Sleeve-type couplings shall be rated at the same or greater pressure carrying capacity as the pipe itself.

F EXPANSION AND FLEXIBLE COUPLINGS

1. Expansion-type mechanical couplings shall be manufactured for use with PVC pipe, and may be restrained or unrestrained as indicated in the construction documents.

2. Expansion-type mechanical couplings shall be rated at the same or greater pressure carrying capacity as the pipe itself.

G CONNECTION HARDWARE

Bolts and nuts for buried service shall be made of non-corrosive, high-strength, low-alloy steel having the characteristics specified in ANSI/AWWA C111/A21.11, regardless of any other protective coating.

2.07 CONNECTIONS FOR GRAVITY SANITARY SEWER AND NON-PRESSURE APPLICATIONS

A The following connections are to be used in conjunction with tie-ins to other non-pressure, gravity sewer piping and/or structures, and shall be as indicated in the construction documents.

B PVC GASKETED, PUSH-ON COUPLINGS

1. Acceptable couplings for joining fusible polyvinylchloride pipe to other sections of fusible polyvinylchloride pipe or other sections of PVC pipe shall include gasketed PVC, push-on type couplings as indicated in the construction documents.
2. PVC gasketed, push-on fittings and/or restraint hardware must be installed per the manufacturer's guidelines.

C FUSIBLE POLYVINYL CHLORIDE SWEEPS OR BENDS

1. Fusible polyvinyl chloride sweeps or bends shall conform to the same sizing convention, diameter, dimensional tolerances and pressure class of the pipe that they are joining together.
2. Fusible polyvinyl chloride sweeps or bends shall be manufactured from the same fusible polyvinyl chloride pipe being used for the installation, and shall have at least 2 feet of straight section on either end of the sweep or bend to allow for fusion of the sweep to the pipe installation.
3. Standard fusible polyvinyl chloride sweep or bend angles shall not be greater than 22.5 degrees, and shall be used in nominal diameters ranging from 4 inch through 16 inch.

D SLEEVE-TYPE COUPLINGS

1. Sleeve-type mechanical couplings shall be manufactured for use with PVC pipe, and may be restrained or unrestrained as indicated in the construction documents.

E EXPANSION AND FLEXIBLE COUPLINGS

1. Expansion-type mechanical couplings shall be manufactured for use with PVC pipe, and may be restrained or unrestrained as indicated in the construction documents.

F CONNECTION HARDWARE

1. Bolts and nuts for buried service shall be made of non-corrosive, high-strength, low-alloy steel having the characteristics specified in

ANSI/AWWA C111/A21.11, regardless of any other protective coating.

G CONNECTION TO SANITARY SEWER MANHOLES AND STRUCTURES

1. Fusible polyvinylchloride pipe shall be connected to manholes and other structures to provide a leak-free, properly graded flow into or out of the manhole or structure.
2. Connections to existing manholes and structures shall be as indicated in the construction documents.
 - 1) For a cored or drilled opening provide a flexible, watertight connection that meets and/or exceeds ASTM C923.
 - 2) For a knock out opening, provide a watertight connection (waterstop or other method) meeting the material requirements of ASTM C923 that is securely attached to the pipe with stainless steel bands or other means.
 - 3) Grout opening in manhole wall with non-shrink grout. Pour concrete collar around pipe and outside manhole opening. Provide flexible pipe joint or flexible connector within 2' of collar.
3. Connections to a new manhole or structure shall be as indicated in the construction documents.
 - 1) A flexible, watertight gasket per ASTM C 923 shall be cast integrally with riser section(s) for all precast manhole and structures.
 - 2) Drop connections shall be required where shown on drawings.
 - 3) Grout internal joint space with non-shrink grout

PART 3 - EXECUTION

3.01 DELIVERY AND OFF-LOADING

- A All pipe shall be bundled or packaged in such a manner as to provide adequate protection of the ends during transportation to the site. Any pipe damaged in shipment shall be replaced as directed by the owner or engineer.
- B Each pipe shipment should be inspected prior to unloading to see if the load has shifted or otherwise been damaged. Notify owner or engineer immediately if more than immaterial damage is found. Each pipe shipment should be checked for quantity and proper pipe size, color and type.
- C Pipe should be loaded, off-loaded, and otherwise handled in accordance with AWWA M23, and all of the pipe supplier's guidelines shall be followed.
- D Off-loading devices such as chains, wire rope, chokers, or other pipe handling implements that may scratch, nick, cut, or gouge the pipe are strictly prohibited.
- E During removal and handling, be sure that the pipe does not strike anything. Significant impact could cause damage, particularly during cold weather.
- F If appropriate unloading equipment is not available, pipe may be unloaded by

removing individual pieces. Care should be taken to insure that pipe is not dropped or damaged. Pipe should be carefully lowered, not dropped, from trucks.

3.02 HANDLING AND STORAGE

- A Any length of pipe showing a crack or which has received a blow that may have caused an incident fracture, even though no such fracture can be seen, shall be marked as rejected and removed at once from the work. Damaged areas, or possible areas of damage may be removed by cutting out and removing the suspected incident fracture area. Limits of the acceptable length of pipe shall be determined by the owner or engineer.
- B Any scratch or gouge greater than 10% of the wall thickness will be considered significant and can be rejected unless determined acceptable by the owner or engineer.
- C Pipe lengths should be stored and placed on level ground. Pipe should be stored at the job site in the unit packaging provided by the manufacturer. Caution should be exercised to avoid compression, damage, or deformation to the ends of the pipe. The interior of the pipe, as well as all end surfaces, should be kept free from dirt and foreign matter.
- D Pipe shall be handled and supported with the use of woven fiber pipe slings or approved equal. Care shall be exercised when handling the pipe to not cut, gouge, scratch or otherwise abrade the piping in any way.
- E If pipe is to be stored for periods of 1 year or longer, the pipe should be shaded or otherwise shielded from direct sunlight. Covering of the pipe which allows for temperature build-up is strictly prohibited. Pipe should be covered with an opaque material while permitting adequate air circulation above and around the pipe as required to prevent excess heat accumulation.
- F Pipe shall be stored and stacked per the pipe supplier's guidelines.

3.03 FUSION PROCESS

A GENERAL

1. Fusible polyvinylchloride pipe will be handled in a safe and non-destructive manner before, during, and after the fusion process and in accordance with this specification and pipe supplier's guidelines.
2. Fusible polyvinylchloride pipe will be fused by qualified fusion technicians, as documented by the pipe supplier.
3. Each fusion joint shall be recorded and logged by an electronic monitoring device (data logger) affixed to the fusion machine.
4. Only appropriately sized and outfitted fusion machines that have been approved by the pipe supplier shall be used for the fusion process. Fusion machines must incorporate the following properties, including the following elements:

- a) HEAT PLATE - Heat plates shall be in good condition with no deep

gouges or scratches. Plates shall be clean and free of any debris or contamination. Heater controls shall function properly, cord and plug shall be in good condition. The appropriately sized heat plate shall be capable of maintaining a uniform and consistent heat profile and temperature for the size of pipe being fused, per the pipe supplier's guidelines.

- b) CARRIAGE – Carriage shall travel smoothly with no binding at less than 50 psi. Jaws shall be in good condition with proper inserts for the pipe size being fused. Insert pins shall be installed with no interference to carriage travel.
 - c) GENERAL MACHINE - Overview of machine body shall yield no obvious defects, missing parts, or potential safety issues during fusion.
 - d) DATA LOGGING DEVICE - The current version of the pipe supplier's recommended and compatible software shall be used. Datalogging device operations and maintenance manual shall be with the unit at all times. If fusing for extended periods of time, an independent 110V power source shall be available to extend battery life.
5. Other equipment specifically required for the fusion process shall include the following:
- a) Pipe rollers shall be used for support of pipe to either side of the machine
 - b) A weather protection canopy that allows full machine motion of the heat plate, fusion assembly and carriage shall be provided for fusion in inclement and /or windy weather.
 - c) Fusion machine operations and maintenance manual shall be kept with the fusion machine at all times.
 - d) Facing blades specifically designed for cutting fusible polyvinylchloride pipe shall be used.

B JOINT RECORDING

Each fusion joint shall be recorded and logged by an electronic monitoring device (data logger) connected to the fusion machine. The fusion data logging and joint report shall be generated by software developed specifically for the butt-fusion of thermoplastic pipe. The software shall register and/or record the parameters required by the pipe supplier and these specifications. Data not logged by the data logger shall be logged manually and be included in the Fusion Technician's joint report.

3.04 GENERAL INSTALLATION

- A Installation guidelines from the pipe supplier shall be followed for all installations.
- B The fusible polyvinylchloride pipe will be installed in a manner so as not to

exceed the recommended bending radius.

- C Where fusible polyvinylchloride pipe is installed by pulling in tension, the recommended Safe Pulling Force, according to the pipe supplier, will not be exceeded.

3.05 PREPARATION PRIOR TO MAKING CONNECTIONS INTO EXISTING PIPING SYSTEMS

- A Approximate locations for existing piping systems are shown in the construction documents. Prior to making connections into existing piping systems, the Contractor shall:

1. Field verify location, size, piping material and piping system of the existing pipe.
2. Obtain all required fittings, which may include saddles, sleeve type couplings, flanges, tees, or others as shown in the construction documents.
3. Have installed all temporary pumps and/or pipes in accordance with established connection plans.

- B Unless otherwise approved, new piping systems shall be completely assembled and successfully tested prior to making connections into existing pipe systems.

3.06 PIPE SYSTEM CONNECTIONS

- A Pipe connections shall be installed per applicable standards and regulations, as well as per the connection manufacturer's guidelines and as indicated in the construction documents. Pipe connections to structures shall be installed per applicable standards and regulations, as well as per the connection manufacturer's guidelines.

3.07 TAPPING FOR POTABLE AND NON-POTABLE WATER APPLICATIONS

- A Tapping shall be performed using standard tapping saddles designed for use on PVC piping in accordance with AWWA C605. Tapping shall be performed only with use of tap saddles or sleeves. **NO DIRECT TAPPING WILL BE PERMITTED.** Tapping shall be performed in accordance with the applicable sections for Saddle Tapping per Uni-Pub-8.

- B All connections requiring a larger diameter than that recommended by the pipe supplier, shall be made with a pipe connection as specified and indicated on the drawings.

- C Equipment used for tapping shall be made specifically for tapping PVC pipe:

1. Tapping bits shall be slotted "shell" style cutters, specifically made for PVC pipe. 'Hole saws' made for cutting wood, steel, ductile iron, or other materials are strictly prohibited.
2. Manually operated or power operated drilling machines may be used.

- D Taps may be performed while the pipeline is filled with water and under pressure ('wet' tap), or when the pipeline is not filled with water and not under

pressure ('dry' tap).

3.08 TESTING

A Testing shall comply with all applicable jurisdictional building codes, statutes, standards, regulations and laws.

B HYDROSTATIC TESTING AND LEAKAGE TESTING FOR PRESSURE PIPING

1. Hydrostatic and leakage testing for piping systems that contain mechanical jointing as well as fused PVC jointing shall comply with AWWA C605.
2. Unless agreed to or otherwise designated by the owner or engineer, for a simultaneous hydrostatic and leakage test following installation, a pressure equal to 150% of working pressure at point of test, but not less than 125% of normal working pressure at highest elevation shall be applied. The duration of the pressure test shall be for two (2) hours.
3. If hydrostatic testing and leakage testing are performed at separate times, follow procedures as outlined in AWWA C605.
4. In preparation for pressure testing the following parameters must be followed:
 - 1) All air must be vented from the pipeline prior to pressurization. This may be accomplished with the use of the air relief valves or corporation stop valves, vent piping in the testing hardware or end caps, or any other method which adequately allows air to escape the pipeline at all high points. Venting may also be accomplished by 'flushing' the pipeline in accordance with the parameters and procedures as described in AWWA C605.
 - 2) The pipeline must be fully restrained prior to pressurization. This includes complete installation of all mechanical restraints per the restraint manufacturer's guidelines, whether permanent or temporary to the final installation. This also includes the installation and curing of any and all required thrust blocking. All appurtenances included in the pressure test, including valves, blow-offs, and air-relief valves shall be checked for proper installation and restraint prior to the beginning of the test.
 - 3) Temporary pipeline alignments that are being tested, such as those that are partially installed in their permanent location shall be configured to minimize the amount of potentially trapped air in the pipeline.

C LEAKAGE TESTING FOR NON-PRESSURE PIPING

1. Gravity sanitary sewers that contain mechanical jointing in addition to fused PVC joints may need to be tested for excessive leakage.
2. Gravity sanitary sewer leakage testing may include appropriate water or low pressure air testing. The leakage outward or inward (exfiltration or

infiltration) shall not exceed 25 gallons per inch of pipe diameter per mile per day for any section of the system. An exfiltration or infiltration test shall be performed with a minimum positive head of two feet. The air test, if used, shall be conducted in accordance with one of the following Standards:

- 1) ASTM F1417
- 2) UNI-B-6
3. The testing method selected shall properly consider the existing groundwater elevations during the test.

D DEFLECTION TESTING FOR NON-PRESSURE PIPING

1. After completion of the backfill, the engineer or owner may require that a deflection test be performed.
2. Deflection tests should be conducted using a go/no-go mandrel. The mandrel's outside dimension shall be sized to permit no more than 7.5 percent deflection. The percent deflection shall be established from the base inside diameter of the pipe. If the internal beading of the joints for the pipe is not required to be removed, the mandrel shall account for this clearance as well. The mandrel shall be approved by the owner or engineer prior to use. Lines that permit safe entry may allow other deflection test options, such as direct measurements.

E DISINFECTION OF THE PIPELINE FOR POTABLE WATER PIPING

1. After installation, the pipeline, having passed all required testing, shall be disinfected prior to being put into service. Unless otherwise directed by the owner or engineer, the pipeline will be disinfected per AWWA C651.

F PARTIAL TESTING

1. Segments of the pipe may be tested separately in accordance with standard testing procedure, as approved by the owner and engineer.

END OF SECTION

SECTION 02630

DUCTILE IRON PIPE (DIP) AND FITTINGS

PART 1 GENERAL

1.1 SCOPE OF WORK

- A. Furnish all labor, materials, equipment, and incidentals required, and install ductile iron pipe, fittings and appurtenances as shown on the Drawings and as specified herein.

1.2 RELATED WORK SPECIFIED ELSEWHERE

- A. Section 02650 - Laying and Jointing Buried Pipe

1.3 REFERENCE SPECIFICATIONS, CODES, AND STANDARDS

- A. Commercial Standards: (Latest Revision)

1. ANSI/AWWA C104/A21.4 Cement-Mortar Lining for Ductile-Iron Pipe and Fittings for Water.
2. ANSI/AWWA C105/A21.5 Polyethylene Encasement for Ductile-Iron Piping for Water and Other Liquids.
3. ANSI/AWWA C110/A21.10 Ductile-Iron Fittings, 3 in. Through 48 Inches, for Water and Other Liquids. (C110 2-48 inches).
4. ANSI/AWWA C111/A21.11 Rubber Gasket Joints for Ductile-Iron Pressure Pipe and Fittings.
5. ANSI/AWWA C115/A21.15 Flanged Ductile-Iron Pipe with Threaded Flanges.
6. ANSI/AWWA C150/A21.50 Thickness Design of Ductile-Iron Pipe.
7. ANSI/AWWA C151/A21.51 Ductile-Iron Pipe, Centrifugally Cast for Water or Other Liquids.
8. ANSI/AWWA C153/A21.53 Ductile-Iron Compact Fittings, 3 inches through 16 inches, for Water and Other Liquids.
9. AWWA C600 Installation of Ductile Iron Water Mains and Their Appurtenances.

1.4 CONTRACTOR SUBMITTALS

- A. Shop Drawings: Submit shop drawings of pipe and fittings in accordance with the requirements in the General Conditions, the requirements of the referenced standards and the following supplemental requirements as applicable:
 - 1. Certified dimensional drawings of all valves, fittings, and appurtenances.
 - 2. In all cases, a line layout to indicate the limits of each reach of restrained joints or of concrete encasement shall be supplied. (NOTE: Obtain CITY Utilities Department approval of all proposed concrete encasement of ductile iron pipe.)
- B. Certifications: Furnish a certified affidavit of compliance for all pipe and other products or materials furnished under this Section of the Specifications, which indicates that all tests have been made and that all results comply with the requirements of AWWA C151, including but not necessarily limited to the following:
 - 1. Acceptance Tests.
 - 2. Hydrostatic Tests.
 - 3. Low Temperature Impact Tests.
- C. Additional Documentation: Upon request, furnish foundry records in the form of written transcripts.
- D. All expenses incurred for certification, testing, and data submittal shall be borne by the CONTRACTOR or the Supplier.

1.5 QUALITY ASSURANCE

- A. Inspection: All pipe shall be available for inspection at the place of manufacture prior to shipping in accordance with the provisions of the referenced standards. Notify the ENGINEER in writing not less than 10 calendar days prior to the shipping of the pipe.
- B. The ENGINEER shall be given access to all areas where manufacturing and testing is performed and shall be permitted to make all inspections necessary to confirm manufacturer compliance with these Specifications.
- C. Tests: Except as modified herein, all materials used in the manufacture of the pipe shall be tested in accordance with the requirements of the referenced standards as applicable.
- D. Provide data on material tests at no additional cost to the CITY.

- E. In addition to those tests specifically required, the ENGINEER may request additional samples of any material including lining and coating samples for testing by the CITY. Furnish the additional samples at no additional cost to the CITY.

1.6 CORROSION PROTECTION

- A. If specifically approved by City Utilities for use, provide exterior protection for underground ductile iron pipe and fittings, steel pipe, and pre-stressed concrete cylinder pipe within areas of severe corrosive conditions (dump areas, swamps, marshes, alkaline soils, cinder bed, etc.). This shall be accomplished by the installation of polyethylene encasement (minimum eight (8) millimeters thick) through the area of concern in accordance with AWWA C105. The soil test evaluation to determine the necessity for extra protection in suspect areas shall be those set forth in ANSI Standard A21.5. Additionally, where other existing utilities are known to be cathodically protected, ductile iron pipe crossing said utility shall be protected for a distance of 20 feet to each side. If ductile iron pipe is to be installed parallel to and within 10 feet of cathodically protected pipe, then protection shall be provided for the entire length. Do not install steel pipe in severe corrosion areas.

PART 2 PRODUCTS

2.1 GENERAL

- A. Protective Lining for Water Mains: Cement mortar lined ductile iron pipe shall conform to ANSI/AWWA C151 and C104, subject to the following supplemental requirements. The pipe shall be of the diameter and class shown, shall be furnished complete with rubber gaskets as indicated in the Contract Documents, and all specials and fittings shall be provided as required under the Contract Documents.
- B. Protective Lining for Force Mains and Sewers: Where lining is shown, specified or required, for the protection of pipelines carrying sewage from corrosive gases, line the pipe using protective ceramic epoxy coating or polyethylene lining in accordance with the manufacturer's written instructions. For ceramic epoxy lining, abrasive blast clean pipe and fittings to a near white surface to SSPC SP-10 and provide 40 mils minimum of dry film thickness of ceramic epoxy lining using Protecto 401 coating as manufactured by Vulcan Painters and certified by U.S. Pipe and Foundry. For polyethylene lining, provide Polybond Plus (60 mils minimum thickness) as manufactured by American Cast Iron Pipe, or Engineer of Record approved equal.
- C. Handling and Storage: Handle the pipe by using wide slings, padded cradles, or other devices designed and constructed to prevent damage to the pipe and its lining. The use of equipment or handling, which might injure the pipe and its lining, will not be permitted. Stockpiled pipe shall be suitably supported and shall be secured to prevent accidental rolling. Assure that all other pipe handling equipment and methods is acceptable to the ENGINEER.

- D. Laying lengths: Maximum pipe laying lengths shall be 20 feet.
- E. Finish: The pipe shall have smooth dense interior surfaces and shall be free from fractures, excessive interior surface crazing and roughness, in accordance with ANSI/AWWA C104.
- F. Closures and Correction Pieces: Provide closures and correction pieces as required so that closures may be made due to different headings in the pipe laying operation and so that correction may be made to adjust the pipe laying to conform to pipe stationing shown on the Drawings or line layouts where applicable.

2.2 PIPE DESIGN CRITERIA

- A. General: Ductile Iron pipe shall be designed in accordance with the requirements of ANSI/AWWA C150 as applicable and as modified in this Section.
- B. Pipe Wall Thickness for Internal Pressure: The pipe shall be designed with a net thickness to withstand the design internal pressure in accordance with the hoop stress formula. In addition to the requirements of the Section, the minimum wall thickness shall be in accordance with the minimum thickness wall depicted in table 50.5 of ANSI/AWWA C150.
- C. Potable, Raw and Non-Potable Irrigation Water Mains:
 - 1. Ductile Iron Pipe shall be a minimum pressure Class 250 and will be accepted in any diameter for use within the water distribution system.
 - 2. All aboveground potable water main pipe shall be painted Federal Safety Blue. All aboveground raw water main pipe shall be painted white. All aboveground non-potable irrigation, reclaimed or reuse water main pipe shall be painted Pantone Purple 522C. The pipe wall thickness shall not be less than that required by a working pressure of 250 psi in laying condition Type 4 "B" with 5-foot cover in conformance with ANSI Standard A21.50.
- D. Force Mains and Gravity Sewers:
 - 1. Ductile Iron Pipe shall be a minimum pressure Class150 and will be accepted in any diameter for use within the wastewater collection system.
 - 2. Ductile iron pipe for Gravity Sewer applications is not permitted unless the ENGINEER can demonstrate that C900 PVC pipe, Class 150 or 200, cannot be utilized from a structural standpoint.
 - 3. All aboveground force main pipe shall be painted Safety Green. The pipe wall thickness shall not be less than that required by a working pressure of 150 psi.

2.3 MATERIALS

- A. Ductile Iron Pipe: Pipe materials shall conform to the requirements of ANSI/AWWA C151.
- B. Adapters to connect ductile iron pipe or fittings to pipe or fittings of dissimilar materials shall be supplied by the CONTRACTOR in accordance with ASTM specifications and the pipe manufacturer recommendations, and as approved by the ENGINEER.
- C. Water Mains:
 - 1. All water mains shall contain cement for mortar lining conforming to the requirements of ANSI/AWWA C104. Cement for mortar lining shall be Type II or V. A fly ash or pozzolan shall not be used.
 - 2. All Ductile Iron buried water main pipelines shall have blue stripes applied to the pipe wall. Stripe width shall comply with AWWA standards. The stripes shall be applied by one of the methods described below:
 - a. Pipes striped during manufacturing of the pipe shall have continuous stripes that run parallel to the axis of the pipe located at no greater than 90 degree intervals around the pipe and that will remain intact during and after installation of the pipe.
 - b. Pipes striped during installation shall incorporate blue tape or blue paint. The tape or paint shall be applied in a continuous line that runs parallel to the axis of the pipe and that is located along the top of the pipe.
 - 3. All pipe with an internal diameter of 24" or greater, tape or paint shall be applied in continuous lines along each side of the pipe as well as along the top of the pipe.
- D. Force Mains and Gravity Sewer:
 - 1. All Ductile iron pipe used within the wastewater system shall be lined with polyethylene in accordance with ASTM D1248. Pipe and fittings shall be lined as specified herein. Each piece of pipe shall bear a marking denoting the class to which it belongs. Pipes shall have green stripes applied to the pipe wall and shall conform to standards above.

2.4 SPECIALS AND FITTINGS

- A. Fittings for Potable, Raw, Non-Potable Irrigation, Reclaimed and Reuse Water Systems:
 - 1. Fittings shall conform to the requirements of ANSI/AWWA C153/A21.53 or ANSI/AWWA C110/A21.10 for diameters 3 inches through 48 inches, and shall have a minimum pressure rating of 350 psi for pipe sizes 6 inches

through 24 inches and 250 psi for sizes larger than 24 inches. Ductile iron fittings shall be double cement lined, seal coated inside and outside with an asphaltic material in accordance with AWWA C104 as specified.

B. Fittings for Wastewater System:

1. Fittings in direct contact with wastewater 8 inches in diameter and smaller, shall be interior coated with a 12 mil thickness of coal tar epoxy coating. Pipe and fittings, for force mains 10 inches in diameter and larger, shall be interior coated with either a 20 mil to 40 mil thickness polyethylene as specified above or a 12 mil thickness of coal tar epoxy coating in conformance with ASTM 1248. Pipe and fittings shall have an outside asphaltic coating as specified in AWWA Standard C151. Each piece of pipe shall bear a marking denoting the class to which it belongs.

2.5 DESIGN OF PIPE

- A. General: The pipe furnished shall be ductile iron pipe, lined as specified, with rubber gasketed joints.
- B. The pipe shall be designed, manufactured, tested, inspected, and marked according to applicable requirements previously stated and except as hereinafter modified, shall conform to ANSI/AWWA C150 and ANSI/AWWA C151.
- C. Pipe Dimensions: The pipe shall be of the diameter and class shown. The minimum wall thickness for each pipe size shall be as specified herein or shown on the Drawings.
- D. Fitting Dimensions: The fittings shall be of the diameter shown and class specified.
- E. Joint Design: Ductile Iron pipe and fittings shall be furnished with mechanical joints, push-on joints and flanged joints as follows:
 1. For buried pipe applications, unless otherwise indicated, mechanical and push-on joints shall conform to ANSI/AWWA C111/A21.11, with the minimum pressure rating of 350 psi, and shall be as manufactured by U.S. Pipe Co. (Tyton Joint), Clow Corp. (Super Bell-Tite Joint), or American Cast Iron Pipe Co. (Fastite Joint), Alltite, Star, or Engineer of Record approved equal. Restrained joint shall be capable of deflection during assembly. Deflection shall not exceed the manufacturer recommendations. Tee head bolts and nuts for restrained joints shall be manufactured of Corten-A, high strength, low alloy, corrosion resistant steel.
 2. For above-ground or buried vault applications, unless otherwise indicated, flanged joints shall conform to ANSI/AWWA C115/A21.15, with the minimum pressure rating of 250 psi. All above-ground fittings shall be painted blue.
 3. Use manufactured, labeled gasket lubricant for push on joints with trade name and pipe manufacturer name, other lubricants are prohibited.
 4. Nuts and bolts for flanged joints shall be 304 stainless, as specified by the CITY, and conform to ANSI/AWWA C111.

- F. Restraining Devices: Restraining joints shall be placed at all bends, tees, plugs, caps, reducers, and other fittings to provide lateral support and to prevent pipe joints and fittings from pulling apart under pressure, and shall conform to the City Standard Details (see Typical Conflict Crossings Detail Drawing). Concrete thrust blocks shall only be utilized if approved by City Utilities or as shown on the Detail Drawings, and shall have a minimum compressive strength of 3,000 psi at 28 days. Do not disturb soil in the thrust block area prior to pouring concrete. Both concrete thrust blocks and restrained joints or tie rods must be used when, in the judgment of the Engineer of Record, the nature and criticality of the installation is such as to require positive assurance of stability. Fittings and pipes shall be wrapped with 8 mil thick polyethylene prior to pouring concrete, so that no concrete comes in direct contact with the surface of the fitting or pipe. Concrete shall cure a minimum of 7 days prior to placing the line under pressure. Contractor shall not backfill around thrust blocks until approval is obtained from the City Field Inspector. See Section 02650 page 10 for more information on thrust blocks.
1. Joint restraint devices for ductile iron mechanical joint pipe and ductile iron mechanical joint fittings to ductile iron pipe shall be EBAA Iron Sales, Series 1100 Megalug (R), Uniflange, Romac Industries, Sigma, Lok-Type or Tr-Flex manufactured by U.S. Pipe Co., Lok-Fast or Lok-Ring manufactured by American Cast Iron Pipe Co., or Star Restraint.
 2. Bell joint restraint devices for ductile iron push joint pipe shall be EBAA Iron Inc., Series 1700 Megalug (R) for bell restraint.
 3. Restrained push-on joints for push joint pipe shall be U.S. Pipe and Foundry, TR Flex, McWane Inc., Super-Lock, American Cast Iron Pipe Company, Lok-Ring or Flex-Ring.
- G. For bell-and-spigot ends with rubber gaskets, the clearance between the bells and spigots shall be such that when combined with the gasket groove configuration and the gasket itself will provide watertight joints under all operating conditions when properly installed. Require the pipe manufacturer to submit details complete with significant dimensions and tolerances and also to submit performance data indicating that the proposed joint has performed satisfactorily under similar conditions. In the absence of a history of field performance, the results of a test program shall be submitted.
- H. Gaskets shall be a Buna N, Neoprene, or a Nitril-based rubber product approved by the City Manager or designee. Gaskets shall have clean tips unless otherwise specified. Elastomeric gaskets conforming to ASTM F-477 shall also be acceptable.
- I. Shop-applied interior linings and exterior coatings shall be applied evenly to the nominal thickness specified. Holiday free cement is not possible to manufacture. Exterior coatings: asphalt coating for buried pipe or primed pipe cannot be furnished holiday free.

2.6 CEMENT-MORTAR LINING

- A. Cement-Mortar Lining For Shop Application: Except as otherwise provided herein, interior surfaces of all ductile iron pipe shall be cleaned and lined in the shop with cement-mortar lining applied centrifugally in conformity with ANSI/AWWA C104. Ductile-Iron pipe fittings need not have the cement-mortar lining applied centrifugally. The lining machines shall be of a type that has been used successfully for similar work. Every precaution shall be taken to prevent damage to the lining. If lining is damaged or found faulty at delivery site, the damaged or unsatisfactory portions shall be repaired in the field in accordance with ANSI/AWWA C104.
- B. The nominal wet lining thickness shall be as follows:

Nominal Factory Nominal Replacement		
Nominal Pipe Diameter (in.)	Applied Lining Thickness (in.)	Lining Thickness (in.)
3-12	1/8	1/8
14-24	3/16	3/16
30-64	1/4	1/4

- C. Protection of Pipe Lining/Interior: All shop-applied cement mortar lining shall be given a seal coat of asphaltic material in conformance with ANSI/AWWA C104.

2.7 EXTERIOR COATING OF PIPE

- A. Exterior Coating of Buried Piping: The exterior coating shall be an asphaltic coating approximately 1 mil thick, conforming to ANSI/AWWA C151.

2.8 CORROSION PROTECTION

- A. If specifically approved by City Utilities for use, exterior protection shall be provided for underground ductile iron pipe and fittings within areas of severe corrosive conditions. This shall be accomplished by the installation of polyethylene encasement through the area of concern. The soil test evaluation to determine the necessity for extra protection in suspect areas shall be those set forth in ANSI Standard A21.5. Additionally, where other existing utilities are known to be cathodically protected, ductile iron pipe crossing said utility shall be protected for a distance of 20 feet to each side. If ductile iron pipe is to be installed parallel to and within 10 feet of cathodically protected pipe, then protection shall be provided for the entire length. Steel pipe shall not be installed in severe corrosion areas.

PART 3 EXECUTION

3.1 INSTALLATION OF PIPE

- A. Handling and Storage: Carefully handle and protect all pipe, fittings, etc., against damage, impact shocks, and free fall and in accordance with ANSI/AWWA C600. Do not place pipe directly on rough rocky ground, but in such instances support the pipe in a manner that will protect the pipe against injury whenever stored at such trench site or elsewhere. Do not install any pipe where the lining or coating show defects that may be harmful as determined by the ENGINEER. Repair such damaged lining or coating, or furnish and install a new undamaged pipe.
- B. Repair or replace all pipe damaged prior to Substantial Completion or during warrantee period.
- C. Inspect each pipe and fitting prior to installation to insure that no damaged portions of pipe are installed.
- D. Before placement of pipe in the trench, thoroughly clean each pipe or fitting of any foreign substance that may have collected therein, and keep the pipe clean at all times thereafter. For this purpose, close the openings of all pipes and fittings in the trench during any interruption to the work.
- E. Pipe Laying: Install the pipe in accordance with ANSI/AWWA C600.
- F. Lay pipe directly on the bedding material. Refer to the Collier County Utilities Standards and Procedures Ordinance Section 9.1.2 for laying and backfilling requirements. No blocking will be permitted, and the bedding shall be such that it forms a continuous, solid bearing for the full length of the pipe. Make excavations as needed to facilitate removal of handling devices after the pipe is laid. Form bell holes at the ends of the pipe to prevent point loading at the bells or couplings. Make excavations as needed outside the normal trench section at field joints to permit adequate access to the joints for field connection operations and for application of coating on field joints.
- G. Where necessary to raise or lower the pipe due to unforeseen obstructions or other causes, the ENGINEER may change the alignment and/or the grades. Such change may be made by the deflection of joints, by the use of bevel adapters, or by the use of additional fittings. However, in no case shall the deflection in the joint exceed 70 percent of the maximum deflection recommended by the pipe manufacturer. No joint shall be misaligned any amount which will be detrimental to the strength and water tightness of the finished joint.
- H. Pipe and Specials Protection: Protect the openings of all pipe and specials with suitable bulkheads to prevent unauthorized access by persons, animals, water, or any undesirable substance. At all times, provide means to prevent the pipe from floating.
- I. Pipe Cleanup: As pipe laying progresses, keep the pipe interior free of all debris. Completely clean the interior of the pipe of all sand, dirt, mortar splatter and any

other debris following completion of pipe laying, pointing of joints, and any necessary interior repairs per ANSI/AWWA C600 and C602 prior to testing and disinfecting the completed pipeline. For pipe larger than 12" diameter, utilize a polyurethane foam plug "Poly Pig" to remove all debris from main.

3.2 RUBBER GASKETED JOINTS

- A. Rubber Gasketed Joints: Immediately before jointing pipe, thoroughly clean the bell end of the pipe, and place a clean rubber gasket in the bell groove. Carefully clean the bell and spigot end of push-on joint pipe, and lubricate with a vegetable-based lubricant or per manufacturer's recommendation. Insert the spigot end of the pipe section into the bell of the previously laid joint and telescope into the proper position. Do not tilt the pipe to insert the spigot into the bell.

3.3 INSTALLATION OF PIPE APPURTENANCES

- A. Installation of Valves: Handle all valves in a manner to prevent any injury or damage to any part of the valve. Thoroughly clean and prepare all joints prior to installation. Adjust all stem packing and operate each valve prior to installation to insure proper operation.
- B. Install all valves so that the valve stems are plumb and in the location shown on the Drawings.
- C. Mechanical joints consisting of bell, socket, gland, gasket, bolts, and nuts shall conform to ANSI Standard A21.11. Bolts and nuts shall be high strength, low alloy, Cor-Ten, T-Head Type having hexagonal nuts. Bolts and nuts shall be machined through and nuts shall be tapped at right angles to a smooth bearing surface. Single sealed gasket push-on type joints shall conform to the requirements of ANSI A21.11 and shall be Tyton, Fastite, Superbelltite, Alltite, or Engineer of Record approved equal.
- D. Mechanical joint retainer glands may be used to restrain mechanical joint pipe and fittings to the plain end of ductile iron pipe and fittings when used in conjunction with thrust blocks of reduced size. The Utilities ENGINEER must approve thrust block size. Maintain joint flexibility.

3.4 TESTING AND DISINFECTION

- A. Test completed water or force main pipeline in accordance with Section 02676. Disinfect completed water pipeline in accordance with Section 02675.

END OF SECTION

SECTION 02645
FIRE HYDRANTS

PART 1 GENERAL

1.1 DESCRIPTION OF REQUIREMENTS

- A. Furnish and install fire hydrants where shown on the Drawings or directed by the ENGINEER.

1.2 RELATED WORK SPECIFIED IN OTHER SECTIONS

- A. Section 15100 – Water Valves and Appurtenances
- B. Section 03310 – Concrete for Non-Plant Work

1.3 QUALITY ASSURANCE

- A. Install hydrants to meet current requirements of City Utilities and in accordance with the manufacturer's installation instructions.
- B. Provide manufacturer's certificate that products meet or exceed minimum requirements as specified.

1.4 SUBMITTALS

- A. Submit manufacturer's certificates on conformance.
- B. Shop Drawings: Submit manufacturer's drawings and data sheets for material to be supplied under this Section. Indicate sizes and types to be installed.

1.5 PRODUCT DELIVERY, STORAGE AND HANDLING

- A. During loading, transportation and unloading, exercise care to prevent damage to materials.
- B. Handling: Fire hydrants should be unloaded carefully. The hydrant should be carefully lowered from the truck to the ground, not dropped. Only hoists and slings with adequate load capacity to handle the weight of the hydrant shall be used.
- C. Storage: Hydrants should be stored in the fully closed position to prevent entry of foreign material that could cause damage to the seating surfaces. Whenever practical, hydrants should be stored indoors. If outside storage is required, means should be provided to protect the operating mechanism. In outside storage, parts and flanges should be protected from the weather and foreign materials.

PART 2 PRODUCTS

2.1 FIRE HYDRANTS

- A. Fire hydrants shall be of the dry barrel, compression type conforming to and/or tested in accordance with AWWA C502 "Standard for Dry-Barrel Fire Hydrants," AWWA Manual M-17 "Dry Barrel Fire Hydrants," and additional requirements as set forth herein. Each fire hydrant shall be tested mechanically and hydrostatically in accordance with AWWA C502, latest revision, Section 5. Submit affidavits from the hydrant manufacturer indicating compliance with the testing requirements. Submit manufacturer's product data, including sample test curves of head loss/flow volume data plotted from zero to full flow for the test conditions required in AWWA C502, Section 5, for each model of hydrant purchased.
- B. Hydrant shall have break away upper sections capable of ready replacement without loss in the event of traffic damage. Each hydrant shall have a 6" bottom inlet connection and valve opening at least 5-1/4 inches in diameter. Hydrants shall have a national standard pentagon 1.5 inch, point to flat operating nut and turn to the left (counter clockwise) to open. Each hydrant shall be fitted with one 4-1/2-inch pumper connection and two 2-1/2 inch hose connections, both having threads that conform to the Fire Division Standard for the area. Hose caps shall be chained to the hydrant barrel and fitted with nuts similar to the hydrant operating nuts. Each hydrant shall have a barrel of sufficient length to bring the bottom of the 6" pipe connection 3 feet below the surface of the finished ground. Each hydrant shall have breakaway flanges and be made in at least two sections bolted together. All interior working parts of the hydrant shall be removable from the top of the hydrant to allow repairs without removing the hydrant barrel after it has been installed. Hydrants shall have renewable O-ring stem seals. Hydrant barrels shall be painted Federal Safety Red and White for those connected to potable water, pantone purple 522C for those connected to the reuse system, or as specified by appropriate fire control district. They shall be designed for a working pressure of 150 psi.
- C. Hydrant shall have no drain ports. If ports exist, they shall be plugged with a threaded plug.
- D. Operating stem shall be equipped with anti-friction thrust bearing to reduce operating torque and assure easy opening. Stops shall be provided to limit stem travel. Stem threads shall be enclosed in a permanently sealed lubricant reservoir with O-ring seals.
- E. Hydrants shall be designated for 150 psi working pressure and shop tested to 300 psi pressure with main valve both opened and closed. Under test the valve shall not leak, the automatic drain shall function and there shall be no leakage into the bonnet.
- F. Hydrants shall be of the year's manufacture when construction commenced. All hydrants shall be new and not relocated from another location.

- G. Hydrants shall be lubricated with food grade grease, no oil allowed, including internal bonnet lubrication.
- H. Acceptable models include:
 - 1. American Darling (B-84-B-5), Mueller (Centurion A-423), Kennedy (K-81A), or approved equal. Contractor shall provide one traffic repair kit for every two hydrants installed.

PART 3 EXECUTION

3.1 INSTALLATION

- A. Set hydrants plumb and in true alignment with mains. Utilize restrained joints as shown in the City of Naples Standard Details. Carefully backfill around hydrants so as not to disturb the hydrant and thoroughly compact backfill so as to support the hydrant securely. The hydrants shall have 18-inch minimum and 24 inch maximum clearance measured from finish grade to the center of pumper connection. The weight of valves and hydrants shall not be carried by the pipe. The valve or hydrant shall be supported by a concrete cradle as shown on the detail drawings. Concrete for the cradle shall be poured against undisturbed soil. Concrete thrust blocking shall have a minimum compressive strength of 3,000 psi at 28 days.
- B. Hydrants shall be located a minimum of 4 feet from the curb in urban areas, and a minimum of 14 feet from the edge of pavement in rural areas, and in accordance with local Fire Department requirements. A gate valve shall be provided within five (5) feet of the hydrant as shown in the Standard Details.

END OF SECTION

NO TEXT FOR THIS PAGE

SECTION 02650

LAYING AND JOINTING BURIED PIPELINES

PART 1 GENERAL

1.1 SUMMARY

- A. Section Includes: Installation of all underground pipelines. Provide pipeline materials, coatings and linings as specified and pipe of the types, sizes and classes shown or specified. Furnish and install the potable water piping system, complete, tested, and ready for operation. Submit Certificate of Inspection from manufacturer stating materials furnished have been inspected at the place of manufacturer, conform to the requirements of these specifications, and have been tested as specified.
1. Use proper and suitable tools and appliances for the safe and convenient cutting, handling, and laying of pipe and fittings.
 2. Use suitable fittings where shown and at connections or where grade or alignment changes require offsets greater than those recommended and approved.
 3. Lay all underground pipelines not supported on piles or concrete cradle in select fill bedding material.
 4. Close off all lines with bulkheads when pipe laying is not in progress.
- B. Related Work Specified in Other Sections Includes:
1. Section 02222 - Excavation - Earth and Rock
 2. Section 02223 – Backfilling
 3. Section 02530 – Groundwater Control for Open Excavation
 4. Section 02620 – High Density Polyethylene (HDPE) Pipe and Fittings
 5. Section 02622 – Polyvinyl Chloride (PVC) Pipe and Fittings
 6. Section 02630 – Ductile Iron Pipe (DIP) and Fittings
 7. Section 02676 - Leakage Tests
 8. Section 02675 - Disinfection

1.2 REFERENCES

A. Codes and standards referred to in this Section are:

1. ASTM D 2774 - Practice for Underground Installation of Thermoplastic Pressure Piping
2. AWWA C600 - Installation of Ductile-Iron Water Mains and Their Appurtenances
3. ASTM A 307 - Specification for Carbon Steel Bolts and Studs, 60000 psi Tensile
4. ASME B16.1 - Cast Iron Pipe Flanges and Flanged Fittings, C25, 125, 250, 800
5. ASME B16.21 - Nonmetallic Flat Gaskets for Pipe Flanges
6. AWWA C111/A21.11 - Rubber-Gasket Joints for Ductile-Iron Pressure Pipe and Fittings
7. AWWA C115/A21.15 - Flanged Ductile-Iron Pipe With Threaded Flanges
8. Uni-Bell - Handbook of PVC Pipe

1.3 DELIVERY, STORAGE AND HANDLING

- A. General: Deliver, store and handle all products and materials as specified in Division 1 and as follows:
- B. Transportation and Delivery: Take every precaution to prevent injury to the pipe during transportation and delivery to the site.
- C. Loading and Unloading: Take extreme care in loading and unloading the pipe and fittings.
 1. Work slowly with skids or suitable power equipment, and keep pipe under perfect control at all times.
 2. Under no condition is the pipe to be dropped, bumped, dragged, pushed, or moved in any way that will cause damage to the pipe or coating. Pipe shall not be skidded or rolled against pipe already on the ground.
- D. Sling: When handling the pipe with a crane, use a suitable sling around the pipe.
 1. Under no condition pass the sling through the pipe. Interior of pipe is to be kept free of dirt and foreign matter at all times.

2. Use a nylon canvas type sling or other material designed to prevent damage to the pipe and coating.
 3. When handling reinforced concrete pipe or uncoated steel or ductile iron pipe, steel cables, chain or like slings are acceptable.
- E. Damaged Piping: If in the process of transportation, handling, or laying, any pipe or fitting is damaged, replace or repair such pipe or pipes. All cracked, damaged, or defective pipe, and indentation of more than 10 percent of the wall thickness in depth, shall be rejected and removed at once from the work and replaced with new acceptable pipe at no cost to the City.
- F. Blocking and Stakes: Provide suitable blocking and stakes installed to prevent pipe from rolling.
1. Obtain approval for the type of blocking and stakes, and the method of installation.
- G. Storage for Pipes and Gaskets: When long-term (more than one week) storage with exposure to direct sunlight is unavoidable, pipe should be covered with an opaque material while permitting adequate air circulation above and around the pipe as required to prevent excessive heat accumulation (Uni-Bell PVC Handbook). Pipe shall not be stored close to heat sources or hot objects such as heaters, fires, boilers, or engine exhaust. Store gaskets for pipe joints in a cool place and protect gaskets from light, sunlight, heat, oil, grease, or ozone until installed. Store gaskets in a sealed container (such as a vented drum).
1. Do not use any gaskets showing signs of cracking, weathering or other deterioration.
 2. Do not use gasket material stored in excess of six months without approval.

1.4 FIELD CONDITIONS

- A. Repair of Sanitary Sewers and Services: Rebed, in compacted select fill material, sanitary sewers which cross over the new pipe or which cross under the new pipe with less than 12 inches clear vertical separation. Compact the bedding to densities required for new pipeline construction and extend bedding below the sewer to undisturbed earth. Reconstruct sewers damaged by pipeline construction.
1. Furnish and install all materials and do all work necessary for the reconstruction or repairs of sanitary sewers and services.
 2. Provide pipe for reconstruction of sanitary sewers and services meeting the appropriate specification requirements.
 3. Provide pipe of the same size as the existing sewer or when the same size is not available, use the next larger size of pipe. Obtain approval of joints made between new pipe and existing pipe.

PART 2 PRODUCTS

- A. The materials allowed for buried sewer pipes are PVC, HDPE or Ductile Iron Pipe.

PART 3 EXECUTION

3.1 PREPARATION

- A. Dry Trench Bottoms: Lay pipe only in dry trenches having a stable bottom.
 - 1. Where groundwater is encountered, make every effort to obtain a dry trench bottom in accordance with Section 02530.
 - 2. Perform trench excavation and backfill in accordance with Sections 02222 and 02223.

3.2 INSTALLATION

- A. General: Install all piping in accordance with the manufacturer's recommendations and approved shop drawings and as specified in Division 1. Where pipe deflections are used, use any of the following guidelines: for deflections, do not exceed 80 percent of the maximum deflection limits shown in AWWA C600, or use the deflections shown in the tables below, or deflect not more than 80% of the pipe manufacturer's recommendations. Gravity systems will contain no deflection. For restrained lengths, see Typical Conflict Crossings Detail Drawing – for fittings not included in detail drawing, refer to Collier County Detail Drawing G-10. For thrust blocks, each fitting and pipe shall be wrapped with 8 millimeter thick polyethylene prior to pouring concrete, so that no concrete comes in direct contact with the surface of the fitting or pipe; concrete shall cure a minimum of 7 days prior to placing the line under pressure.
 - 1. Arrange miscellaneous pipelines, which are shown in diagram form on the Plans, clear of other pipelines and equipment.
- B. Code Requirements: Provide pipeline installations complying with AWWA C600 for iron pipe, AWWA Manual M11 for steel pipe, ASTM D 2774 for thermoplastic pressure piping, and as modified or supplemented by the Specifications.
- C. Pipe Laying - General:
 - 1. Thoroughly inspect all pipe for damage (including the gasket, pipe spigot bevel, gasket groove, and sealing surfaces) and cleanliness. If found to be defective, tag, remove and replace pipe with satisfactory pipe or fittings at no additional charge to CITY. Clean the interior of the bell, gasket, and spigot of the pipe to be jointed with a rag to remove any dirt or foreign material before assembling.
 - 2. In preparation for pipe installation, placement (stringing) of pipe should be as close to the trench as practical on the opposite side of the trench from

the excavated material. The bell ends of the pipe should point in the direction of the work in progress.

3. Generally, lay all pipe with bells pointing ahead.
4. Carefully place all pipe, pipe fittings, valves and hydrants into trench by means of a derrick, ropes or other suitable tools or equipment in such a manner as to prevent damage and check for alignment and grade.
5. Make adjustments to bring pipe to line and grade by scraping away or filling in select fill material under the body of the pipe.
6. Wedging or blocking up the pipe barrel is not permitted.
7. Bring the faces of the spigot ends and the bells of pipes into fair contact and firmly and completely shove the pipe home.
8. As the work progresses, clean the interior of pipelines of all dirt and superfluous materials of every description. If necessary, a heavy, tightly woven canvas bag of suitable size shall be placed over each end of the pipe before lowering into the trench and left there until the connection is made to the adjacent pipe.
9. Keep all lines absolutely clean during construction. Prevent contaminating materials from entering the water main during storage, construction, or repair.
10. Lay pipelines accurately to line and grade.
11. During suspension of work for any reason at any time, even for a lunch break, a suitable watertight stopper or plug shall be placed in the end of the pipe last laid to prevent mud or other material from entering the pipe. Also, the pipe shall be secured to prevent it from being dislodged.
12. All valves and fittings on the customer side of any fire line past the backflow preventer, and all valves and fittings within 50' (fifty feet) of a saltwater or estuary body of water, shall be field coated with Koppers Bitumastic No. 300-M or Amercoat No. 78, or Engineer of Record approved equal product, prior to backfilling; coat all exterior surfaces and all uncoated nuts, bolts, glands, rods, and other parts of joints.

D. Pipe Laying - Trenches:

1. Carefully lay all pipelines in trench excavations piece by piece using suitable tools or equipment on select fill bedding (refer to City of Naples Utilities Standard Specifications and Details), concrete cradle, or other foundations as shown, specified, or ordered in writing. Give the pipe a firm bearing along its entire length. Any pipe which has its grade or joint disturbed after laying shall be taken up and relaid. Prevent damage to materials, protective

coatings and linings. The backhoe method of assembly may be used to assemble pipe of intermediate and larger sizes. The plain end of the pipe should be carefully guided by hand into the bell of the previously assembled pipe. The bucket of the backhoe may then be used to push the pipe until fully seated via a pipe sling only. Direct contact between the backhoe bucket and pipe shall not be permitted. The pipe can also be pushed into the bell using a bar and block. If undue resistance to insertion of the spigot end is encountered or if the reference mark does not reach the flush position, disassemble the joint and check the position of the gasket. If the gasket is twisted or pushed out of its seat, inspect the components, repair, or replace damaged items, clean the components, and repeat the assembly steps. Be sure the pipe is in proper alignment during assembly. If the gasket was not out of position, check the distance between the spigot end and the reference mark and relocate the mark if it is out of position.

2. Do not dump or drop pipe or pipe materials into trench.
3. Properly secure the pipe against movement and make the pipe joints in the excavation as required.
4. Carefully grade and compact pipe bedding.
5. Bell Holes:
 - a. Cut out bell holes for each joint as required to permit the joint to be properly made and allow the barrel of the pipe to have full bearing throughout its length.
 - b. Thoroughly tamp bell holes full of select fill material following the making of each joint to provide adequate support to the pipe throughout its entire length.
6. Curved Alignment: In special cases where curved alignment is required on pressure lines, the deflection of alignment at a joint shall not exceed the appropriate permissible deflection as specified in the following table. These values indicate the maximum permissible deflection for eighteen foot (18') lengths as noted. Gravity systems shall contain no deflections. Any deflection greater than the allowable deflection shall be made with appropriate fittings.

TABLE 1

Pipe Deflection Allowance – Polyvinyl Chloride (PVC) Pipe
Maximum Permissible Deflection, Inches

<u>Size of Pipe, Inches</u>	<u>Push-On-Joints, Inches</u>
4	23
6	16
8	12
10	9
12	8

TABLE 2

Pipe Deflection Allowances – Ductile Iron (DI) Pipe
Maximum

<u>Size of Pipe</u>	<u>Joint Deflection In Degrees</u>	<u>Deflection in Inches – 18ft. Length</u>
4	5	19
6	5	19
8	5	19
10	5	19
12	5	19
14	4	15
16	4	15
18	3	11
20	3	11
24	3	11
30	3	11
36	3	11
42	3	12*
48	3	12*
54	3	12*

*20 ft. length for 42", 48", and 54" DI pipe

- E. Other Foundations: Install pipelines laid on other types of foundations as specified for such other foundations or as ordered in writing.
- F. Field Cuts of Pipelines: For shorter than standard pipe lengths, make field cuts in a manner producing a cut square and perpendicular to the pipe axis. Remove any sharp, rough edges which otherwise might injure the gasket. Ductile iron pipe may be cut using an abrasive pipe saw, rotary wheel cutter, guillotine pipe saw,

milling wheel saw, or oxyacetylene torch; for push-on joint connections the cut end shall be beveled to prevent gasket damage during joint assembly. PVC pipe shall be cut square with a fine-toothed hand or power saw or other cutter or knife designed for use with plastic pipe; prior to cutting, the pipe shall be marked around its entire circumference or a square-in vise shall be used to ensure the pipe end is cut square; remove burrs by smoothing edges with a knife, file, or sandpaper.; bevel the cut end of the pipe using a pipe beveling tool, wood rasp, or portable sander to prevent damage to the gasket during joint assembly; a factory finished beveled end should be used as a guide to ensure proper beveling angle and correct depth of bevel; round off any sharp edges on the leading edge of the bevel with a knife or file.

G. Procedure for sealing cut ends and repairing field damaged areas of polyethylene lined pipe and fittings is as follows:

1. Remove burrs caused by field cutting of ends or handling damage and smooth out edge of polyethylene lining if made rough by field cutting or handling damage.
2. Remove oil or lubricant used during field cutting operations.
3. Areas of loose lining associated with field cutting operation must be removed and exposed metal cleaned by sanding or scraping. For larger areas, remove loose lining and dirt, then roughen bare pipe surface by scratching or gouging with a small chisel to provide an anchor pattern for the epoxy. It is recommended that the polyethylene lining be stripped back by chiseling, cutting, or scraping about 1 inch (1") to 2 inches (2") into well adhered lined area before patching. This ensures that all areas of undercutting have been removed. Be sure to roughen an overlap of 1 inch (1") to 2 inches (2") of polyethylene lining in area to be epoxy coated. This roughening should be done with a rough grade emery paper (40 grit), rasp, or small chisel. Avoid honing, buffing, or wire brushing since these tend to make surface to be repaired too smooth for good adhesion.
4. With area to be sealed or repaired clean and suitably roughened, apply a thick coat of a two-part coal tar epoxy such as Madewell 1104 or City approved equal. The heavy coat of epoxy must be worked into the scratched surface by brushing. Mixing and application procedure for the epoxy must follow the epoxy manufacturer's instructions.
5. It is important that the entire freshly cut, exposed metal surface of the cut pipe be coated. To ensure proper sealing, overlap at least 1 inch (1") of the roughened polyethylene lining with this two-part epoxy system.

H. Ductile Iron Pipe Mechanical Joints:

1. Assembly: In making up mechanical joints, center the spigot in the bell.

- a. With a wire brush just prior to assembly of the joint thoroughly brush 8 inches outside of spigot and inside of bell with which the rubber gasket comes in contact. Remove all oil, grit, tar (other than standard coating) and other foreign matter from joint.
- b. Brush lubricant over the gasket just prior to installation. (Note: There is only one rubber gasket size for each diameter of pipe.)
- c. Press the gasket into place within the bell and move the gland into position, bolts inserted, and the nuts tightened finger tight.
- d. Tighten the nuts with a torque wrench so that the gland is brought up toward the pipe evenly. Torque wrenches shall be set as specified in AWWA C111. Spanner type wrenches not longer than specified in AWWA C111 may be used with the permission of City Manager or designee.
- e. Prime all bolts by dipping with a bituminous coating, except the threads. Coat threads immediately prior to installation of nuts.
- f. Tighten all nuts 180 degrees apart alternately in order to produce equal pressure on all parts of the gland.

2

TABLE F.3

<u>Bolt Size (Inches)</u>	<u>Torque (ft. lbs)</u>
5/8	45 - 60
3/4	75 - 90
1	-100-120
1-1/4	-120-150

3. Remaking of Joints: If effective sealing is not obtained at the maximum torque listed above, disassemble and reassemble the joint after thorough cleaning.

I. Ductile Iron Pipe Rubber Gasket Joints:

1. Assembly: In making up the rubber gasket joint, brush the gasket seat in the socket thoroughly with a wire brush and wipe the gasket with a cloth.
 - a. Place the gasket in the socket with the large round end entering first so that the groove fits over the bead in the seat.
 - b. Apply a thin film of lubricant (AWWA C600) to the inside surface of the gasket that will come in contact with the entering pipe.

- c. Brush the plain end of the pipe to be entered thoroughly with a wire brush and place it in alignment with the bell of the pipe to which it is to be joined.
 - d. Exert sufficient force on the entering pipe so that its plain end is moved past the gasket until it makes contact with the base of the socket to make the joint.
 - 2. Positioning: Before proceeding with backfilling, feel completely around the joint using a feeler gauge to confirm that the gasket is in its proper position.
 - a. If the gasket can be felt out of position, withdraw the pipe and examine the gasket for cuts or breaks.
 - b. If the gasket has been damaged, replace it with a new one before re-installing the pipe.
 - 3. Optional Mechanical Joints: Use mechanical joint fittings that meet the requirements of Section 02630 with the rubber gasket joint pipe when specified or when rubber gasket fittings are not available.
- J. Temporary Bulkheads: Provide temporary bulkheads at the ends of sections where adjoining pipelines have not been completed, and in connections built into pipelines where adjoining pipelines or structures have not been completed and are not ready to be connected.
 - 1. Remove bulkheads encountered in connecting sewers or structures included in this Contract, or in pipelines or structures previously built, when they are no longer needed or when ordered.
- K. Dead-End Lines, Temporary Blow-Off Assemblies, and Thrust Blocks: Dead-end water lines shall be temporarily ended with a blow-off as shown in City Standard Details. After full bore flush, replace with a fire hydrant meeting the requirements of Section 02645. If an automatic flushing valve unit is necessary, it must be approved by the City Manager or designee, and must be in accordance with the automatic flushing valve Detail Drawing; a meter must be installed just before the automatic flushing valve unit between the line size gate valve and the 2" curb stop. Wastewater line dead-ends shall be installed with a terminus thrust block as shown in the Detail Drawings. See Section 02630 page 7 for more information on restraining joints and concrete thrust blocks.
- L. Sleeve Type Couplings: For sleeve type couplings, equally tighten diametrically opposite bolts on the connection so that the gaskets will be brought up evenly all around the pipe.
 - 1. Torque Wrenches: Do the final tightening with torque wrenches set for the torque recommended by the coupling manufacturer.

M. Concrete Encasement: Concrete encasement shall be constructed in accordance with City Standard Details when:

1. A potable water main crosses at a depth that provides less than 18 inches clear distance from sewer lines. Encase the sewer main unless specifically approved by City Utilities. Encasement shall extend a minimum 10 feet on each side of the point of crossing. Pressure test both pipelines to 150 psi after the concrete has properly cured.
2. A water main running parallel to a sewer line provides less than 10 feet separation from sewer line, in which case City approval will be required. Encase the sewer main unless specifically approved by City Utilities.
3. The ENGINEER has ordered the line encased. NO POTABLE WATER MAIN SHALL BE ENCASED IN CONCRETE UNLESS SPECIFICALLY AUTHORIZED BY THE CITY MANAGER OR DESIGNEE.

The points of beginning and ending of pipe encasement shall be not more than 6 inches from a pipe joint to protect the pipe from cracking due to uneven settlement of its foundation or the effects of superimposed live loads.

N. Valve Box Setting: Install valve boxes vertical and concentric with the valve stem. Place a Gate Box Aligner (USA Bluebook Stock #MC-75181) over the valve stem in order to help keep valve box aligned during backfilling.

1. Adjust valve-box to final grade at the time designated by the City Manager or designee.
2. Build a reinforced collar, as shown in the standard details, 18 inches by 18 inches by 6 inches with 2, #4 reinforcing bars around the valve box head in pavement, flush to grade of top of box. Similar collar shall be poured flush with grade and top of unpaved areas.
3. Satisfactorily reset any valve box that is moved from its original position, preventing the operation of the valve.
4. Replace any valve box that has been damaged.

O. Identification:

1. Metallized and Non-Metallized Warning Tape: For PVC and DIP pipe (other than gravity sewer pipe and laterals) to be installed, 3-inch detectable marking tape, of appropriate color and appropriate warning statement, shall be placed along the entire pipe length, with metallized warning tape used for PVC pipe and non-metallized warning tape used for ductile iron pipe. In all cases, marking tape shall be installed two feet (2') below grade or one-half the pipe's bury, whichever is less, during backfill operations (refer to Manual Section 1 – 1.1 and 2.2.1). For wastewater force mains and reclaimed water mains, identification tape shall be installed at two depths: directly on

top of the pipe as well as at the location mentioned above. All PVC pipe, PVC fittings, and identification tape shall be color-coded per the following: blue for potable water, white for raw water, pantone purple for reclaimed water, and green for wastewater. Metallized tape shall be Terra Tape D as manufactured by Reef Industries, Inc., Houston Texas (800)231-6074 and Allen Systems, Inc., Wheaton, IL (800)323-1749 or Engineer of Record approved equal. HDPE pipe installed by horizontal directional drilling will not be required to be marked with metallized warning tape, but shall be marked with two 12 gage copper tracer wires (see Section 02300, 3.5), or Engineer of Record approved wire.

2. Tracer Wire for Locating: Mark with 10 gage copper tracer wire all non-ductile-iron laterals, force mains, gravity mains, water mains, and water service lines. Loop 10 gage tracer wire into all valve boxes and meter boxes.
3. Electronic Markers: Place 3M Magnetic Ball Markers at lateral ends, cleanouts, connections to the gravity system, before and after lift stations, connections to force main, next to valve boxes, in meter boxes, at all fittings and change of direction along water and wastewater pipes, and along water and wastewater pressure pipe intervals no greater than every 100 feet. For service lines, place 3M Magnetic Ball Markers at water service line connection to water main and at intervals no greater than every 100 feet. Place 3M Magnetic Ball Markers 6 inches above pipe, and hand backfilled one foot (1') above ball to prevent damage or movement during subsequent backfilling. Burial depth shall not be less than two feet (2') nor more than six feet (6'). Markers shall be the appropriate Omni Marker Model 161 or 162 as manufactured by 3M Telecom Systems Group or City approved equal. Contractor shall install all tape and marker balls as specified.

P. Separation From Other Pipe Systems:

1. Parallel Water and Sewer or Non-Potable Lines: Sanitary sewer lines, storm sewers or force mains shall be separated from water mains by a minimum clear vertical distance of 18 inches and a horizontal distance of 10 feet. Non-potable, reclaimed or reuse water mains shall be separated from water mains, gravity sewers or force mains by a minimum clear vertical distance of 18 inches and a horizontal distance of 5 feet center to center or 3 feet outside to outside. When this standard cannot be maintained, the sewer or non-potable line shall be concrete encased for a distance of 10 feet each way from the water line and any other conduit, with a minimum vertical clearance of 12 inches being provided at all times. See also Section 1 - Design Criteria, Subsection 1.2.3.
2. Crossing Water and Gravity Sewer or Non-Potable Lines: Water mains crossing over a sewer or non-potable water line shall be (bottom of water main to top of sewer) separated by at least 18 inches unless local conditions or barriers prevent an 18 inch vertical separation. All crossings with vertical clearance less than 18 inches shall be made using sewer or non-potable

pipe thickness Class 200 AWWA C900 PVC pipe for a distance of 10 feet on each side of the crossing. The gravity sewer pipe in these locations shall be backfilled with USCS Class I bedding stone to a height of 6 inches above the crown of the pipe. When water mains cross under a sewer, both mains shall be constructed of C900 Class 200 PVC pipe with joints equivalent to water main standards for a distance of 10 feet on each side of the point of crossing with no intermediate joints. Additionally, a section of water main pipe shall be centered at the point of crossing. See also Section 1 – Design Criteria, Subsection 1.3.

Q. Aerial Crossings:

1. Obtain necessary construction permits for ditch or canal crossings from appropriate authorities. Contractor shall not begin work on any ditch or canal crossing until a copy of the approved permit is received from the Engineer of Record. The work shall be subject to an additional requirement of the governing authority. Pipes spanning elevated pier crossings shall be flanged ductile iron Pressure Class 350 pipe conforming to AWWA C115, C150 & C151. Pipe spanning on piers spaced further apart than normal pipe length of 18 or 20 ft. shall be multiple length pipe with interior flanged joints with a rubber gasket pipe such as Clow "Long-span Pipe", Flanged US Pipe, Flanged American Pipe or City approved equal. Concrete piers shall conform accurately to the bottom 1/3 to 1/2 of the pipe. Piping along walls shall be supported by approved wall brackets with attached pipe rolls or saddles or by wall brackets with adjustable hanger rods. For piping supported from the ceiling, approved rod hangers of a type capable of screw adjustment after erection of the pipeline and with suitable adjustable concrete inserts or beam clamps shall be used. The pipe wall thickness and flanged joints shall be designed to safely span the elevated piers under working pressure without exceeding the allowable stresses and conform to AWWA C150. Limit pipe deflection at center of span with pipe full of water to 1/720 of span length. Provide expansion joints for between above ground and below ground wastewater lines. See also Section Design Criteria, Section 1.1.
2. Flanges shall conform to AWWA C150 and C115. All bolts and nuts used in aerial crossings shall be stainless steel. Gaskets shall be full faced or recessed "O-Ring" type to prevent leaks in pipe under stress in the aerial crossing.
3. Outside surface of all pipe, flanges or spool pieces shall be shop coated with zinc primer, High Build Epoxy protective coat and a finish coat of polyurethane high gloss. Color shall be Federal Safety Blue for potable water mains and Pantone Purple 522 C for non-potable irrigation water mains. Raw water mains shall be painted white and sewer force mains shall be painted green.

4. Install operating valves or other flow regulating devices on each shoreline or at a safe distance from each shoreline to prevent discharge in the event the line is damaged.
5. Install supports for all joints in pipes utilized for aerial crossings and to prevent overturning and settlement. Expansion jointing is specified between above ground and below ground sewers and force mains.
6. Ditch banks and bottoms shall be restored to the original condition or as required by the Permitting agency, whichever is more stringent.

3.3 FIELD QUALITY CONTROL

- A. Whenever water, sewer, or reuse lines are in or across streets, driveways, or paved areas, the Contractor shall be responsible for any trench settlement which occurs within one year from the time of preliminary acceptance. Testing: Test pipelines in accordance with Section 02676.
 1. Test valves in place, as far as practicable, and correct any defects in valves or connections.
 2. Gravity Sewer Lines: Test in accordance with Section 02676
- B. Inspection: Clean, inspect, and examine each piece of pipe and each fitting and special for defects before it is installed.
 1. Cut away any lumps or projections on the face of the spigot end or the shoulder.
 2. Do not use any cracked, broken, or defective pieces in the work.
 3. If any defective piece should be discovered after having been installed, remove and replace this piece with a sound piece in a satisfactory manner at no increase in Contract Amount.

3.4 CLEANING

- A. General: Thoroughly clean all pipe before it is laid and keep it clean until it is accepted in the completed work. If necessary, a heavy, tightly woven canvas bag of suitable size shall be placed over each end of the pipe before lowering into the trench and left there until the connection is made to the adjacent pipe.
- B. Removal of Materials: Exercise special care to avoid leaving bits of wood, dirt, and other foreign particles in the pipe. If any particles are discovered before the final acceptance of the work, remove and clean the pipe.

3.5 DISINFECTION

- A. General: Disinfect all pipelines that are to carry potable water in accordance with Section 02675.

END OF SECTION

SECTION 02675

DISINFECTION

PART 1 GENERAL

1.1 SUMMARY

- A. Section Includes: Disinfection of all pipelines, tanks, structures, conduits and equipment that are to store, handle or carry potable water. Furnish all labor, water, chemicals and equipment, including taps, corporation stops, temporary pumps and other items necessary to perform the Work, except as otherwise specified.

1.2 REFERENCES

- A. Codes and standards referred to in this Section are:
 - 1. AWWA C651 - Disinfecting Water Mains
 - 2. AWWA C652 - Disinfection of Water-Storage Facilities

1.3 QUALITY ASSURANCE

- A. Disinfection Standards: Disinfect in accordance with AWWA C651 for water mains and AWWA C652 for water storage facilities and equipment.
- B. Chlorinated Water Disposal: Dispose of old highly chlorinated water in accordance with applicable regulations.

PART 2 PRODUCTS

Not Used

PART 3 EXECUTION

3.1 FLUSHING

- A. After coordination with the CITY Water Distribution Section, perform all flushes, pigging or swabbing, disinfection and post flushes in the presence of Water department personnel. Fill all water lines with potable water, pig or swab (optional at the discretion of the City or Engineer of Record), and perform a line flushing (full bore flush). All lines larger than 12 inches in diameter shall be pigged to clear debris prior to flushing. Use a swab-type pig for HDPE pipe. Use a 5- to 7-lb. density poly-jacketed bullet style pig for all other pipe material. Under no circumstances is a pig or swab considered reusable. A section of pipe shall be inserted in the gap specified in the jumper shown in the Standard Details to

connect the new construction to the existing facilities for the purpose of accomplishing the full-bore flush. Immediately after completion of the flush, remove the connection. The facilities shall be capped and returned to the jumper connection shown in the Standard Details until final connection is permitted by City Manager or designee at the completion of construction and after finalization of all test procedures and bacterial clearance for new water facilities.

3.2 WATER MAIN DISINFECTION

- A. Following acceptable pressure testing, disinfect all sections of the water distribution system and receive approval thereof from the appropriate agencies, prior to placing in service. Provide advance notice of 48 hours to the City Manager or designee before disinfecting procedures start. The disinfection shall be accomplished in accordance with the applicable provisions of AWWA Standard C651, "Disinfecting Water Mains" and all appropriate approval agencies.
- B. The disinfecting agent shall be free chlorine in aqueous solution with sustained concentration for 48 hours of not less than 50 parts per million. After 48 hours, if chlorine solution contains at least 25 parts per million of chlorine, the line may then be flushed and samples taken at various points. Chlorine may be derived from Chlorine gas, or 70% (high test) calcium hypochlorite (HTH or Perchloron, or equal). Administration may be by any of the several methods described in AWWA Standard C651 as proposed by the CONTRACTOR and approved by the ENGINEER. Proposals as to method must be made prior to commencement of the disinfection process.
- C. Following contact with chlorine solution, the system shall be thoroughly flushed out. Schedule water sampling in coordination with the CITY Utilities Department. The CITY Utilities Department will obtain all water samples for analysis.
- D. If samples do not demonstrate satisfactory results, the line shall be flushed and a resample taken. If the samples fail on the second attempt, redisinfection per AWWA standards must be repeated until two satisfactory samples are obtained. The period between samples must be a minimum of 24 hours.
- E. After approval of the samples, and before placing the system in service, perform another flushing of the water lines to remove any stagnant water.

3.3 DISINFECTION PROCEDURES FOR TANKS

- A. Disinfect potable water storage tanks and equipment in accordance with AWWA C652, Method 2 or 3, using sodium hypochlorite.
 - 1. In Method 2, spray method, spray the entire interior surface of the tank with chlorinated water containing 200 mg/l of available chlorine. After spraying, allow the tank to stand at least two hours before filling with fresh water.
- B. After disinfection, allow the tanks and equipment to overflow until the chlorine residual is approximately 2 mg/l.

3.4 BACTERIAL SAMPLE POINTS

- A. For the purpose of new water main construction, bacterial sampling points shall be positioned at the beginning of each new system, at 1000-foot intervals and all dead ends unless otherwise directed. These sampling points will be utilized by Utilities personnel for water main bacterial clearance procedures. See Section 1 Design Criteria, Section 1.10 for more information. At the completion of the project, when authorization is given by the City Manager or designee, permanent sampling points shall remain every 3000 feet or one at 2/3 of the length from the point of connection to the CITY system if the line is less than 3000 feet long. All others shall be removed down to the main and properly capped by the CONTRACTOR. The permanent sampling points shall be constructed as shown in the Utility Detail Drawings. City staff will review the permanent sampling point locations during final plans review.

- B. Appropriately located fire hydrants will be utilized for sampling points. Under this circumstance, the Contractor will be solely responsible for maintaining the hydrants in a satisfactory environment for conducting the bacterial testing.

END OF SECTION

NO TEXT FOR THIS PAGE

SECTION 02676

PRESSURE AND LEAKAGE TESTS

PART 1 GENERAL

1.1 SUMMARY

- A. Section Includes: Testing for any signs of leakage in all pipelines and structures required to be watertight.
 - 1. Test gravity sewers and drain lines by infiltration/exfiltration testing.
 - 2. Test all other pipelines with water under the specified pressures.
- B. Operation of Existing Facilities: Conduct all tests in a manner to minimize as much as possible any interference with the day-to-day operations of existing facilities or other contractors working on the site.

1.2 PERFORMANCE REQUIREMENTS

- A. Written Notification of Testing: Provide written notice when the work is ready for testing, and make the tests as soon thereafter as possible.
 - 1. Personnel for reading meters, gauges, or other measuring devices, will be furnished.
 - 2. Furnish all other labor, equipment, air, water and materials, including meters, gauges, smoke producers, blower, pumps, compressors, fuel, water, bulkheads and accessory equipment.

1.3 REFERENCES

- A. Codes and standards referred to in this Section are:
 - 1. AWWA C600 - Installation of Ductile-Iron Water Mains and Their Appurtenances
 - 2. AWWA C605 - Underground Installation of PVC Pressure Pipe and Fittings for Water

1.4 SUBMITTALS

- A. General: Provide all submittals, including the following, as specified in Division 1.
- B. Testing Report: Prior to placing the sewer system in service submit for review and approval a detailed report summarizing the leakage test data, describing the test procedure and showing the calculations on which the leakage test data is based.

1. Reference Sewer Line Data

a. For Low Pressure Testing

- (1) The length and diameter of the section of line tested (MH to MH), including any laterals.
- (2) A complete description of the test procedure, including:
 - (a) Trench backfilling and sewer cleaning status
 - (b) Type of plugs used and where
 - (c) Depth of sewer, and ground water pressure over sewer pipe
 - (d) Stabilization time period and air pressure
 - (e) Actual air test pressures used if ground water is present
 - (f) The time allowed by specifications
 - (g) The actual test time
 - (h) The air pressure at beginning and end of test
- (3) The name of the inspector/tester and the date(s) and time(s) of all testing performed, including any retesting.
- (4) A description of any repairs made.

PART 2 PRODUCTS

Not Used

PART 3 EXECUTION

3.1 LEAKAGE TESTING

- A. All new sewer and water pipelines installed shall be tested for leakage. The test used will be Hydrostatic Testing for pressure lines and Infiltration/Exfiltration Testing for gravity lines. Tests to be performed will be indicated by the ENGINEER and witnessed by the ENGINEER and the City Manager or designee.

1. Flushing

- a. Flush all mains to remove all sand and other foreign matter. The velocity of the flushing water shall be at least 4 fps. Flushing shall be terminated at the direction of the ENGINEER. Dispose of the flushing water without causing nuisance or property damage.
- b. Install temporary flush out connections on all dead end water mains at the locations shown on plans and in accordance with the Collier City Standard Details.

2. Hydrostatic Testing for DIP and PVC Pipelines:

Perform hydrostatic testing of the system as set forth in the following, and conduct said tests in the presence of the City Manager or designee and other authorized agencies, with 48 hours advance notice provided.

Piping and appurtenances to be tested shall be within sections between valves unless alternate methods have received prior approval from the City Manager or designee. Testing shall not proceed until concrete thrust blocks are in place and cured, or other restraining devices installed. Thoroughly clean and flush all piping prior to testing to clear the lines of all foreign matter. While the piping is being filled with water care shall be exercised to permit the escape of air from extremities of the test section, with additional release cocks provided if required.

Perform hydrostatic testing with a sustained minimum pressure of 150 psi for a period of not less than two (2) hours. If sustained pressure goes 5 psi above or below 150 psi during the first two (2) hours, the test fails (AWWA regulation). After two (2) hours, use the AWWA formula if less than 5 psi to determine whether test fails. Testing shall be in accordance with the applicable provisions as set forth in the most recent edition of AWWA Standards C600 for Ductile Iron Pipe and C605 for PVC Pipe. The allowable rate of leakage shall be less than the number of gallons per hour determined by the following formula:

$$L = \frac{SD (P)^{1/2}}{133,200}$$

Where,

- L = Allowable leakage in gallons per hour;
- S = Length of pipe tested in feet;
- D = Nominal diameter of pipe in inches;
- P = Average test pressure maintained during the leakage test in pounds per square inch

$$\text{For 150 psi, } L = (9.195 \times 10^{-5}) SD$$

The testing procedure shall include the continued application of the specified pressure to the test system, for the one-hour period, by way of a

pump taking supply from a container suitable for measuring water loss. The amount of loss shall be determined by measuring the volume displaced for the said container.

Should the test fail, repair the fault and repeat the test until results are within the established limits. Furnish the necessary labor, water, pumps, and gauges at specified location(s) and all other items required to conduct the required testing and perform necessary repairs. All visible leaks and cracked pipe, fittings, valves, pipe couplings, and the like shall be repaired or replaced regardless of the amount of leakage.

General - All sanitary sewers and associated service lines shall be constructed watertight to prevent infiltration and/or exfiltration. Since all the water and sewage in the lines will be treated at the treatment plant, special care and attention must be given to securing watertight construction. Gravity sewer visual inspections – on completion of each block or section of sewer, or at such other times as the Engineer of Record may direct, the block or section of sewer is to be cleaned, tested, and inspected. Each section of the sewer is to show, on examination from either end, a full circle of light between manholes. Each manhole, or other appurtenance to the system, shall be of the specified size and form, be watertight, neatly and substantially constructed, with the rim set permanently to design position and grade. All repairs shown necessary by the inspection are to be made, with broken or cracked pipe replaced, all deposits removed, and the sewers left true to line and grade, entirely clean and ready for use. See Section 01400 1.5.A.4. for further information on gravity sewer line and manhole testing.

3. Hydrostatic Testing for HDPE Pipelines:

Perform hydrostatic testing of all HDPE pipelines as set forth in the following, and conduct said tests in the presence of the City Manager or designee and other authorized agencies, with 48 hours advance notice provided.

Provide all labor, equipment and material required for testing the pipeline upon completion of installation, pipe laying and backfilling operations, and placement of any required temporary roadway surfacing.

Disinfect all HDPE potable water mains prior to testing in accordance with the requirements of Section 02675 – Disinfection.

Test pipelines at 150 psi.

Field test all HDPE pipelines for leakage in accordance with manufacturer's recommendations for the size and class of pipeline installed. Unless other procedures recommended by the manufacturer are approved by the City Manager or designee, pressure test the pipeline as follows:

- a. Fill pipeline slowly with water. Maintain flow velocity less than two (2) feet per second.
- b. Expel air completely from the line during filling and again before applying test pressure. Expel air by means of taps at points of highest elevation. Following completion of the testing, the taps shall be tightly plugged unless otherwise specified.
- c. Apply initial test pressure and allow to stand without makeup pressure for two (2) to three (3) hours, to allow for diametric expansion or pipe stretching to stabilize.
- d. After this equilibrium period, apply the specified test pressure and turn the pump off. The final test pressure shall be held for not less than two (2) hours.
- e. Upon completion of the test, the pressure shall be bled off from the location other than the point where the pressure is monitored. The pressure drop shall be witnessed by the City Manager or designee at the point where the pressure is being monitored.

Allowable amount of makeup water for expansion of the pipeline during the pressure test shall conform to Table III, Test Phase Make-up Amount, contained in the manual "Inspections, Test and Safety Considerations" published by the Plastics Pipe Institute, Inc.

If any test of pipeline installed exceeds the amount of makeup water as allowed above, locate and repair the cause of leakage and retest the pipeline, without additional cost to the CITY. Repair all visible leaks regardless of the amount of leakage.

4. Force Main Pressure Testing: All force mains shall be subject to pressure testing at the following standards:

<u>System Operating Pressure</u>	<u>Test pressure</u>	<u>Duration</u>
50 PSI or less	100 PSI	2 hours
Greater than 50 PSI	150 PSI or 2 times the operating pressure, whichever is greater.	2 hours

Allowable leakage on force mains shall be computed utilizing the standards for water loss in conformance with AWWA C600, the latest revision thereof. Following the hydrostatic and leakage tests, all wastewater force mains constructed under this contract shall be flushed to remove sand, loose dirt, and other debris. Flushing velocity shall be a minimum of 2.5 fps. Flushing shall continue until clean water flows from the force main; however, the

Contractor shall endeavor to use the minimum amount of flushing water required to complete the work. Absolutely no direct connections shall be permitted to a potable water system for the purpose of obtaining flushing water for wastewater force mains; the potable water supply shall be protected with an air gap or reduced pressure principle backflow prevention assembly approved by the Department. Temporary blowoffs may be required for the purpose of flushing the force main. The Department shall be notified at least 72 hours prior to flushing wastewater force mains. Blowoffs and drainage piping used for flushing shall not be discharged to any wastewater gravity sewer or pumping station wet well.

5. Infiltration/Exfiltration Testing for Gravity Lines

The allowable limits of infiltration or exfiltration for the entire system, or any portion thereof, shall not exceed a rate of 50 gallons per inch of inside pipe diameter per mile of pipe per 24 hours. No additional allowance shall be made for house service lines. Any part of or all of the system shall be tested for infiltration or exfiltration, as directed by the ENGINEER or as required by the City Manager or designee. The procedures and limitations for conducting infiltration/exfiltration tests shall be established at the pre-construction conference on a project-by-project basis. Air testing of gravity sewer mains may be required. All testing shall be run continuously for 24 hours, unless the City Inspector can visually verify that this test duration is not required due to the observed infiltration/exfiltration rate. The amounts of infiltration or exfiltration shall be determined by pumping water into or out of calibrated drums, or by other methods approved by the Public Works Division, such as in-line V-notch weirs. Where infiltration or exfiltration exceeds the allowable limits specified herein, locate and repair the defective pipe, joints or other faulty construction at no additional cost to the CITY. If the defective portions cannot be located, remove and reconstruct as much of the work as is necessary in order to conform to the specified allowable limits. All visible leaks shall be repaired regardless of the amount of leakage. Provide all labor, equipment and materials required and conduct all testing required under the direction of the ENGINEER.

- a. Infiltration: Prior to testing for infiltration, the system shall be pumped out so that normal infiltration conditions exist at the time of testing. The cumulative results of the entire collection system results shall not be a satisfactory method for gauging infiltration compliance. Each sewer section between manholes must permit infiltration no greater than the maximum allowable, as specified above.
- b. Exfiltration: The exfiltration test, when required due to groundwater levels, will be conducted by filling the portion of the system being tested with water to a level 2 feet above the top of the pipe being tested or 2 feet above the existing groundwater in the trench, whichever is higher.. Plugs shall be used to close the upstream and downstream manhole inlets. The cumulative results of the entire collection system results shall not be a satisfactory method for gauging

exfiltration compliance. Each sewer section between manholes must permit exfiltration no greater than the maximum allowable, as specified above. Exfiltration shall be measured by determining the amount of water required to maintain the initial water elevation for the one (1) hour period from the start of the test. The maximum allowable leakage, including manholes, shall be 50 gallons per inch of inside pipe diameter per mile of pipe per day.

6. Low Pressure Air Testing

Contractor shall conduct air testing in accordance with ASTM specifications:

- a. ASTM C-828 – for clay pipes.
- b. ASTM C-924 – for concrete pipes.
- c. ASTM F-1417 – for plastic pipes.

When low pressure air testing of gravity sewer mains is specifically required, or if in the opinion of the Engineer of Record, conditions are such that infiltration measurements may be inconclusive. all testing shall be run continuously for 24 hours, unless the City Inspector can visually verify that this test duration is not required due to the observed infiltration/exfiltration rate.

When air testing is specifically required, after completing backfill of a section of gravity sewer line, conduct a Line Acceptance Test using low pressure air. The test shall be performed using the below stated equipment, according to state procedures and under the supervision of the ENGINEER and in the presence of the City Manager or designee, with 48 hours advance notice.

d. Equipment:

- (1) Pneumatic plugs shall have a sealing length equal to or greater than the diameter of the pipe to be inspected.
- (2) Pneumatic plugs shall resist internal bracing or blocking.
- (3) All air used shall pass through a single control panel.
- (4) Three individual hoses shall be used for the following connections:
 - (a) From control panel to pneumatic plugs for inflation.
 - (b) From control panel to sealed line for introducing the low-pressure air.

- (c) From sealed line to control panel for continually monitoring the air pressure rise in the sealed line.

e. Procedure:

All pneumatic plugs shall be seal tested before being used in the actual test installation. One length of pipe shall be laid on the ground and sealed at both ends with the pneumatic plugs to be checked. Air shall be introduced into the plugs to 25 psi. The sealed pipe shall be pressurized to 5 psi. The plugs shall hold against this pressure without bracing and without movement of the plugs out of the pipe.

After a manhole-to-manhole reach of pipe has been backfilled and cleaned and the pneumatic plugs are checked by the above procedure, the plugs shall be placed in the line at each manhole and inflated to 25 psi. Low-pressure air shall be introduced into this sealed line until the internal air pressure reaches 4 psi greater than the average back pressure of any ground water that may be over the pipe. At least two (2) minutes shall be allowed for the air pressure to stabilize. After the stabilization period (3.5 psi minimum pressure in the pipe), the air hose from the control panel to the air supply shall be disconnected. The portion of the line being tested shall be termed "Acceptable", if the time required in minutes for the pressure to decrease from 3.5 to 2.5 psi (greater than the average back pressure of any ground water that may be over the pipe) is greater than the time shown for the given diameters in the following table:

<u>Pipe Diameter</u> <u>In Inches</u>	<u>Minutes</u>
8	4.0
10	5.0
12	5.5
16	7.5
18	8.5
24	11.5

Time in Minutes = 0.472 D
D = Diameter of pipe in inches

In areas where ground water is known to exist, install capped pipe adjacent to the top of the sewer lines. This shall be done at the time of the sewer line is installed. Immediately prior to the performance of the Line Acceptance Test, the ground water shall be determined by removing the pipe cap, and a measurement of the height in feet of water over the invert of the pipe shall be taken. The height in feet shall be divided by 2.3 to establish the pounds of pressure that will be added to all readings. (For example, if the height of water is 11-1/2 feet, then the added pressure will be 5 psi. This increases the 3.5 psi to 8.5 psi, and the 2.5 psi to 7.5 psi. The allowable drop of one pound and the timing remain the same).

If the installation fails to meet this requirement, determine the source of the leakage and repair or replace all defective materials and/or workmanship, all at no additional cost to the CITY.

3.2 LEAKAGE TESTS FOR STRUCTURES

- A. Structure Leakage Testing: Perform leakage tests of manholes, wet wells, tanks, vaults and similar purpose structures before backfilling, by filling the structure with water to the overflow water level and observing the water surface level for the following 24 hours.
1. Make an inspection for leakage of the exterior surface of the structure, especially in areas around construction joints.
 2. If visible leaks appear, repair the structure by removing and replacing the leaking portions of the structure, waterproofing the inside, or by other methods approved.
 3. Water for testing will be provided by the CITY at the CONTRACTOR's expense.

END OF SECTION

SECTION 02700

HDPE IRRIGATION POND LINER

PART 1 GENERAL

1.1 SECTION INCLUDES

- A. Specifications and guidelines for MANUFACTURING and INSTALLING geomembrane.

1.2 REFERENCES

- A. American Society for Testing and Materials (ASTM)
 1. D 1004 Test Method for Initial Tear Resistance of Plastic Film and Sheeting.
 2. D 1238 Standard Test Method for Flow Rates of Thermoplastics by Extrusion Plastometer.
 3. D 1505 Test Method for Density of Plastics by the Density-Gradient Technique.
 4. D 1603 Test Method for Carbon Black in Olefin Plastics.
 5. D 3895 Standard Test Method for Oxidative-Induction Time of Polyolefins by Differential Scanning Calorimetry.
 6. D 4833 Standard Test Method for Index Puncture Resistance of Geotextiles, Geomembranes, and Related Products.
 7. D 5199 Standard Test Method for Measuring Nominal Thickness of Geotextiles and Geomembranes.
 8. D 5397 Standard Test Method for Evaluation of Stress Crack Resistance of Polyolefin Geomembranes Using Notched Constant Tensile Load Test.
 9. D 5596 Standard Test Method for Microscopic Evaluation of the Dispersion of Carbon Black in Polyolefin Geosynthetics.
 10. D 5994 Standard Test Method for Measuring Core Thickness of Textured Geomembranes.
 11. D 6392 Standard Test Method for Determining the Integrity of Nonreinforced Geomembrane Seams Produced Using Thermo-Fusion Methods.

12. D 6693 Standard Test Method for Determining Tensile Properties of Nonreinforced Polyethylene and Nonreinforced Flexible Polypropylene Geomembranes.

B. Geosynthetic Research Institute

1. GRI GM 13 Test Properties, Testing Frequency and Recommended Warranty for High Density Polyethylene (HDPE) Smooth and Textured Geomembranes.
2. GRI GM 17 Test Properties, Testing Frequency and Recommended Warranty for Linear Low Density Polyethylene (LLDPE) Smooth and Textured Geomembranes.

1.3 DEFINITIONS

- A. Lot- A quantity of resin (usually the capacity of one rail car) used in the manufacture of geomembranes. Finished roll will be identified by a roll number traceable to the resin lot used.
- B. Construction Quality Assurance Consultant (CONSULTANT) - Party, independent from MANUFACTURER and INSTALLER that is responsible for observing and documenting activities related to quality assurance during the lining system construction.
- C. ENGINEER- The individual or firm responsible for the design and preparation of the project's Contract Drawings and Specifications.
- D. Geomembrane Manufacturer (MANUFACTURER) - The party responsible for manufacturing the geomembrane rolls.
- E. Geosynthetic Quality Assurance Laboratory (TESTING LABORATORY)- Party, independent from the OWNER, MANUFACTURER and INSTALLER, responsible for conducting laboratory tests on samples of geosynthetics obtained at the site or during manufacturing, usually under the direction of the OWNER.
- F. INSTALLER- Party responsible for field handling, transporting, storing, deploying, seaming and testing of the geomembrane seams.
- G. Panel- Unit area of a geomembrane that will be seamed in the field that is larger than 100 ft².
- H. Patch- Unit area of a geomembrane that will be seamed in the field that is less than 100 ft².
- I. Subgrade Surface- Soil layer surface which immediately underlies the geosynthetic material(s).

1.4 SUBMITTALS POST-AWARD

- A. Furnish the following product data, in writing, to ENGINEER prior to installation of the geomembrane material:
 - 1. Resin Data shall include the following.
 - 2. Certification stating that the resin meets the specification requirements (see Section 1.09).
 - 3. Geomembrane Roll.
 - 4. Statement certifying no recycled polymer and no more than 10% rework of the same type of material is added to the resin (product run may be recycled).

- B. The INSTALLER shall furnish the following information to the ENGINEER and OWNER prior to installation:
 - 1. Installation layout drawings:
 - a. Must show proposed panel layout including field seams and details.
 - b. Must be approved prior to installing the geomembrane.
 - 2. Approved drawings will be for concept only and actual panel placement will be determined by site conditions.
 - 3. Installer's Geosynthetic Field Installation Quality Assurance Plan.

- C. The INSTALLER will submit the following to the ENGINEER upon completion of installation:
 - 1. Certificate stating the geomembrane has been installed in accordance with the Contract Documents.
 - 2. Material and installation warranties.
 - 3. As-built drawings showing actual geomembrane placement and seams including typical anchor trench detail.

1.5 QUALITY ASSURANCE

- A. The OWNER will engage and pay for the services of a Geosynthetic Quality Assurance Consultant and Laboratory to monitor geomembrane installation.

1.6 QUALIFICATIONS

A. MANUFACTURER

- 1. Geomembrane shall be manufactured by the following:

- a. GSE Lining Technology, Inc.
 - b. or City approved equal.
2. MANUFACTURER shall have manufactured a minimum of 5,000,000 square feet of polyethylene geomembrane during the last year.

B. INSTALLER

1. Installation shall be performed by one of the following installation companies (or City approved equal).
 - a. GSE Lining Technology, Inc.
 - b. GSE Approved Dealer/Installers.
2. INSTALLER shall have installed a minimum of 15,000 square feet of HDPE geomembrane during the last 3 years.
3. INSTALLER shall have worked in a similar capacity on at least 3 projects similar in complexity to the project described in the contract documents, and with at least 5,000 square feet of HDPE geomembrane installation on each project.
4. The Installation Supervisor shall have worked in a similar capacity on projects similar in size and complexity to the project described in the Contract Documents.
5. The INSTALLER shall provide a minimum of one Master Seamer for work on the project.
 - a. Must have completed a minimum of 15,000 square feet of geomembrane seaming work using the type of seaming apparatus proposed for the use on this Project.

1.7 MATERIAL LABELING, DELIVERY, STORAGE AND HANDLING

- A. Labeling - Each roll of geomembrane delivered to the site shall be labeled by the MANUFACTURER. The label will identify:
 1. manufacturer's name
 2. product identification
 3. thickness
 4. length

- 5. width
 - 6. roll number
- B. Delivery- Rolls of liner will be prepared to ship by appropriate means to prevent damage to the material and to facilitate off-loading.
- C. Storage- The on-site storage location for geomembrane material, provided by the CONTRACTOR to protect the geomembrane from punctures, abrasions and excessive dirt and moisture should have the following characteristics:
- 1. level (no wooden pallets)
 - 2. smooth
 - 3. dry
 - 4. protected from theft and vandalism
 - 5. adjacent to the area being lined
- D. Handling- Materials are to be handled so as to prevent damage.

1.8 WARRANTY

- A. Material shall be warranted, on a pro-rata basis against Manufacturer's defects for a period of 5 years from the date of geomembrane installation.
- B. Installation shall be warranted against defects in workmanship for a period of 1 year from the date of geomembrane completion.

1.9 GEOMEMBRANE

- A. Material shall be smooth/textured polyethylene geomembrane as shown on the drawings.
- B. Resin
 - 1. Resin shall be new, first quality, compounded and manufactured specifically for producing geomembrane.
 - 2. Natural resin (without carbon black) shall meet the following minimum requirements:

Property	Test Method	HDPE	LLDPE
Density [g/cm ³]	ASTM D 1505	0.932	0.915

Melt Flow Index [g/10 min.]	ASTM D 1238 (190/2.16)	≤ 1.0	≤ 1.0
OIT [minutes]	ASTM D 3895 (1 atm/200°C)	100	100

C. Geomembrane Rolls:

1. Do not exceed a combined maximum total of 1 percent by weight of additives other than carbon black.
2. Geomembrane shall be free of holes, pinholes as verified by on-line electrical detection, bubbles, blisters, excessive contamination by foreign matter, and nicks and cuts on roll edges.
3. Geomembrane material is to be supplied in roll form. Each roll is to be identified with labels indicating roll number, thickness, length, width and MANUFACTURER.
4. All liner sheets produced at the factory shall be inspected prior to shipment for compliance with the physical property requirements listed in section 1.09, B, and be tested by an acceptable method of inspecting for pinholes. If pinholes are located, identified and indicated during manufacturing, these pinholes may be corrected during installation.

D. Smooth surfaced geomembrane shall meet the requirements shown in the following table(s) for the following material(s):

Table 1.1: Minimum Values for Smooth Black-Surfaced HDPE Geomembranes

Property	Test Method ⁽¹⁾	Thicknes (mils)	Thicknes (mils)	Thicknes (mils)	Thicknes (mils)	Thicknes (mils)	Thicknes (mils)
Thickness, mil (mm)	ASTM D 5199						
Minimum Average		30 (0.75)	40 (1.0)	60 (1.5)	80 (2.0)	100 (2.5)	120 (3.0)
Lowest Individual Reading		27 (0.69)	36 (0.91)	54 (1.4)	72 (1.8)	90 (2.3)	108 (2.7)
Density, g/cm ³	ASTM D 1505	0.94	0.94	0.94	0.94	0.94	0.94
Carbon Black Content, %	ASTM D 1603, mod.	2.0	2.0	2.0	2.0	2.0	2.0
Carbon Black Dispersion	ASTM D 5596	Note 2	Note 2	Note 2	Note 2	Note 2	Note 2
<i>Tensile Properties:</i> (each direction)	ASTM D 6693						
Strength at Yield, lb/in (kN/m)		63 (11)	84 (15)	130 (23)	173 (30)	216 (38)	259 (45)
Strength at Break, lb/in (kN/m)		122 (21)	162 (28)	243 (43)	324 (57)	405 (71)	486 (85)
Elongation at Yield, %	(1.3" gauge length)	13	13	13	13	13	13
Elongation at Break, %	(2.0" gauge length)	700	700	700	700	700	700
Tear Resistance, lb (N)	ASTM D 1004	21 (93)	28 (124)	42 (187)	56 (249)	70 (311)	84 (373)
Puncture Resistance, lb (N)	ASTM D 4833	59 (263)	79 (352)	119 (530)	158 (703)	198 (881)	238 (1059)
Notched Constant Tensile Load, hours	ASTM D 5397, app.	400	400	400	400	400	400

Property	Test Method ⁽¹⁾	Thicknes (mils)	Thicknes (mils)	Thicknes (mils)	Thicknes (mils)	Thicknes (mils)	Thicknes (mils)
Oxidative Induction Time, min.	ASTM D 3895	100	100	100	100	100	100

¹ Some test procedures have been modified for application to geosynthetics. All procedures and values are subject to change without prior notification.
² Only near spherical agglomerates are considered. 9 of 10 views shall be Category 1 or 2. No more than one view Category 3.

E. Textured surfaced geomembrane shall meet the requirements shown in the following table(s) for the following material(s).

Table 2.1: Minimum Values for Black Surfaced Coextruded Textured HDPE Geomembranes

Property	Test Method ⁽¹⁾	Thicknes (mils)	Thicknes (mils)	Thicknes (mils)	Thicknes (mils)	Thicknes (mils)
Thickness, mil (mm)	ASTM D 5994					
Minimum Average		30 (0.75)	40 (1.0)	60 (1.5)	80 (2.0)	100 (2.5)
Lowest Individual Reading		27 (0.69)	36 (0.91)	54 (1.4)	72 (1.8)	90 (2.3)
Density, g/cm ³	ASTM D 1505	0.94	0.94	0.94	0.94	0.94
Carbon Black Content, %	ASTM D 1603, modified	2.0	2.0	2.0	2.0	2.0
Carbon Black Dispersion	ASTM D 5596	<i>Note 4</i>	<i>Note 4</i>	<i>Note 4</i>	<i>Note 4</i>	<i>Note 4</i>
<i>Tensile Properties⁽²⁾: (each direction)</i>	ASTM D 6693					
Strength at Yield, lb/in (kN/m)		63 (11)	84 (15)	130 (23)	173 (30)	216 (38)
Strength at Break, lb/in (kN/m)		45 (8)	60 (11)	90 (16)	120 (21)	150 (27)
Elongation at Yield, %	(1.3" gauge length)	13	13	13	13	13
Elongation at Break, %	(2.0" gauge length)	150	150	150	150	150
Tear Resistance, lb (N)	ASTM D 1004	21 (93)	28 (124)	42 (187)	56 (249)	70 (311)
Puncture Resistance, lb (N)	ASTM D 4833	54 (240)	72 (320)	108 (480)	144 (641)	180 (801)
Notched Constant Tensile Load ⁽³⁾ , hours	ASTM D 5397, appendix	400	400	400	400	400
Oxidative Induction Time, min.	ASTM D 3895	100	100	100	100	100

¹ Some test procedures have been modified for application to geosynthetics. All procedures and values are subject to change without prior notification.
² The combination of stress concentrations due to coextrusion texture geometry and the small specimen size results in large variations of test results. Therefore, these tensile properties are minimum average roll values.
³ NCTL on coextruded textured product is conducted on representative smooth membrane samples.
⁴ Only near spherical agglomerates are considered. 9 of 10 views shall be Category 1 or 2. No more than one view Category 3.

F. Extrudate Rod or Bead:

1. Extrudate material shall be made from same type resin as the geomembrane.
2. Additives shall be thoroughly dispersed.
3. Materials shall be free of contamination by moisture or foreign matter.

1.10 EQUIPMENT

A. Welding equipment and accessories shall meet the following requirements:

1. Gauges showing temperatures in apparatus (extrusion welder) or wedge (wedge welder) shall be present.

2. An adequate number of welding apparatus shall be available to avoid delaying work.
3. Power source must be capable of providing constant voltage under combined line load.

1.11 DEPLOYMENT

- A. Assign each panel a simple and logical identifying code. The coding system shall be subject to approval and shall be determined at the job site.
- B. Visually inspect the geomembrane during deployment for imperfections and mark faulty or suspect areas.
- C. Deployment of geomembrane panels shall be performed in a manner that will comply with the following guidelines:
 1. Unroll geomembrane using methods that will not damage geomembrane and will protect underlying surface from damage (spreader bar, protected equipment bucket).
 2. Place ballast (commonly sandbags) on geomembrane which will not damage geomembrane to prevent wind uplift.
 3. Personnel walking on geomembrane shall not engage in activities or wear shoes that could damage it. Smoking will not be permitted on the geomembrane.
 4. Do not allow heavy vehicular traffic directly on geomembrane. Rubber-tired ATV's and trucks are acceptable if wheel contact is less than 6 psi.
 5. Protect geomembrane in areas of heavy traffic by placing protective cover over the geomembrane.
- D. Sufficient material (slack) shall be provided to allow for thermal expansion and contraction of the material.

1.12 FIELD SEAMING

- A. Seams shall meet the following requirements:
 1. To the maximum extent possible, orient seams parallel to line of slope, i.e., down and not across slope.
 2. Minimize number of field seams in corners, odd-shaped geometric locations and outside corners.

3. Slope seams (panels) shall extend a minimum of five-feet beyond the grade break into the flat area.
4. Use a sequential seam numbering system compatible with panel numbering system that is agreeable to the CONSULTANT and INSTALLER.
5. Align seam overlaps consistent with the requirements of the welding equipment being used. A 6-inch overlap is commonly suggested.

B. During Welding Operations

1. Provide at least one Master Seamer who shall provide direct supervision over other welders as necessary.

C. Extrusion Welding

1. Hot-air tack adjacent pieces together using procedures that do not damage the geomembrane.
2. Clean geomembrane surfaces by disc grinder or equivalent.
3. Purge welding apparatus of heat-degraded extrudate before welding.

D. Hot Wedge Welding

1. Welding apparatus shall be a self-propelled device equipped with an electronic controller which displays applicable temperatures.
2. Clean seam area of dust, mud, moisture and debris immediately ahead of hot wedge welder.
3. Protect against moisture build-up between sheets.

E. Trial Welds

1. Perform trial welds on geomembrane samples to verify welding equipment is operating properly.
2. Make trial welds under the same surface and environmental conditions as the production welds, i.e., in contact with subgrade and similar ambient temperature.
3. Minimum of two trial welds per day, per welding apparatus, one made prior to the start of work and one completed at mid shift.
4. Cut four, one-inch wide by six-inch long test strips from the trial weld.
5. Quantitatively test specimens for peel adhesion, and then for shear strength.

6. Trial weld specimens shall pass when the results shown in Table 3 are achieved in both peel and shear test.
 - a. The break, when peel testing, occurs in the liner material itself, not through peel separation (FTB).
 - b. The break is ductile.
 7. Repeat the trial weld, in its entirety, when any of the trial weld samples fail in either peel or shear.
 8. No welding equipment or welder shall be allowed to perform production welds until equipment and welders have successfully completed trial weld.
- F. Seaming shall not proceed when ambient air temperature or adverse weather conditions jeopardize the integrity of the liner installation. INSTALLER shall demonstrate that acceptable seaming can be performed by completing acceptable trial welds.
- G. Defects and Repairs
1. Examine all seams and non-seam areas of the geomembrane for defects, holes, blisters, undispersed raw materials, and any sign of contamination by foreign matter.
 2. Repair and non-destructively test each suspect location in both seam and non-seam areas. Do not cover geomembrane at locations that have been repaired until test results with passing values are available.

1.13 FIELD QUALITY ASSURANCE

- A. MANUFACTURER and INSTALLER shall participate in and conform to all terms and requirements of the Owner's quality assurance program. CONTRACTOR shall be responsible for assuring this participation.
- B. Quality assurance requirements are as specified in this Section and in the Field Installation Quality Assurance Manual if it is included in the contract.
- C. Field Testing
1. Non-destructive testing may be carried out as the seaming progresses or at completion of all field seaming.
 - a. Vacuum Testing
 - (1) Shall be performed in accordance with ASTM D 5641, Standard Practice for Geomembrane Seam Evaluation by Vacuum Chamber.

- b. Air Pressure Testing
 - (1) Shall be performed in accordance with ASTM D 5820, Standard Practice for Pressurized Air Channel Evaluation of Dual Seamed Geomembranes.
 - c. Other approved methods.
2. Destructive Testing (performed by CONSULTANT with assistance from INSTALLER)
- a. Location and Frequency of Testing
 - (1) Collect destructive test samples at a frequency of one per every 1500 lineal feet of seam length.
 - (2) Test locations will be determined after seaming.
 - (3) Exercise Method of Attributes as described by GRI GM-14 (Geosynthetic Research Institute, <http://www.geosynthetic-institute.org>) to minimize test samples taken.
 - b. Sampling Procedures are performed as follows:
 - (1) INSTALLER shall cut samples at locations designated by the CONSULTANT as the seaming progresses in order to obtain field laboratory test results before the geomembrane is covered.
 - (2) CONSULTANT will number each sample, and the location will be noted on the installation as-built.
 - (3) Samples shall be twelve (12) inches wide by minimal length with the seam centered lengthwise.
 - (4) Cut a 2-inch wide strip from each end of the sample for field-testing.
 - (5) Cut the remaining sample into two parts for distribution as follows:
 - (a) One portion for INSTALLER, 12-inches by 12 inches
 - (b) One portion for the Third Party laboratory, 12-inches by 18-inches
 - (c) Additional samples may be archived if required.

- c. Destructive testing shall be performed in accordance with ASTM D 6392, Standard Test Method for Determining the Integrity of Non-Reinforced Geomembrane Seams Produced Using Thermo-Fusion Methods.
- d. INSTALLER shall repair all holes in the geomembrane resulting from destructive sampling.
- e. Repair and test the continuity of the repair in accordance with these Specifications.

D. Failed Seam Procedures

- 1. If the seam fails, INSTALLER shall follow one of two options:
 - a. Reconstruct the seam between any two passed test locations.
 - b. Trace the weld to intermediate location at least 10 feet minimum or where the seam ends in both directions from the location of the failed test.
 - c. The next seam welded using the same welding device is required to obtain an additional sample, i.e., if one side of the seam is less than 10 feet long.
 - d. If sample passes, then the seam shall be reconstructed or capped between the test sample locations.
 - e. If any sample fails, the process shall be repeated to establish the zone in which the seam shall be reconstructed.

1.14 REPAIR PROCEDURES

- A. Remove damaged geomembrane and replace with acceptable geomembrane materials if damage cannot be satisfactorily repaired.
- B. Repair any portion of unsatisfactory geomembrane or seam area failing a destructive or non-destructive test.
- C. INSTALLER shall be responsible for repair of defective areas.
- D. Agreement upon the appropriate repair method shall be decided between CONSULTANT and INSTALLER by using one of the following repair methods:
 - 1. Patching- Used to repair large holes, tears, undispersed raw materials and contamination by foreign matter.
 - 2. Abrading and Re-welding- Used to repair short section of a seam.

3. Spot Welding- Used to repair pinholes or other minor, localized flaws or where geomembrane thickness has been reduced.
4. Capping- Used to repair long lengths of failed seams.
5. Flap Welding- Used to extrusion weld the flap (excess outer portion) of a fusion weld in lieu of a full cap.
6. Remove the unacceptable seam and replace with new material.

E. The following procedures shall be observed when a repair method is used:

1. All geomembrane surfaces shall be clean and dry at the time of repair.
2. Surfaces of the polyethylene which are to be repaired by extrusion welds shall be lightly abraded to assure cleanliness.
3. Extend patches or caps at least 6 inches for extrusion welds and 4 inches for wedge welds beyond the edge of the defect, and around all corners of patch material.

F. Repair Verification

1. Number and log each patch repair (performed by CONSULTANT).
2. Non-destructively test each repair using methods specified in this Specification.

1.15 MEASUREMENT AND PAYMENT

- A. Payment for geomembrane installation will be as per contract unit price per square foot, as measured parallel to liner surface, including designed anchor trench material and is based upon net lined area.
- B. Net lined area is defined to be the true area of all surfaces to be lined plus designed burial in all anchor trenches, rubsheets, and sacrificial layers.
- C. Prices shall include full compensation for furnishing all labor, material, tools, equipment, and incidentals.

END OF SECTION

SECTION 02830

CHAIN LINK FENCING AND GATES

PART 1 GENERAL

1.1 SUMMARY

- A. Section Includes: Requirements for providing black vinyl coated galvanized steel chain link fencing and gates.
- B. Related Work Specified in Other Sections Includes:
 - 1. Section 03310 – Concrete, Masonry, Mortar and Grout

1.2 REFERENCES

- A. Codes and standards referred to in this Section are:
 - 1. ASTM 1043 - Strength and Protective Coatings on Metal Industrial Chain Link Fence Framework
 - 2. ASME B36.10M - Welded and seamless wrought steel pipe
 - 3. FS RR-F-191 - Fencing, Wire and Post, Metal

1.3 DESIGN

- A. General: Provide fencing of the chain-link black vinyl coated type and six (6) feet high with six (6) feet of diamond mesh woven wire fabric topped by extension arms with a vertical height of approximately one foot above the top of the fabric. Design the extension arms slanted out at an angle of 45 degrees and provide the arms to carry three double strands of barbed wire when specifically required. Locate the fence as shown.
- B. Fabric, Supports and Fittings: Provide steel fabric, supports and fittings except as specified.
- C. Fabric, Supports and Fittings: Provide black vinyl coated steel fabric, supports and fittings. Coat the framework, posts and hardware except hinges and latches to match the fabric with thermoplastic or thermoset resins and provide oven-baked materials to a minimum dry coating of seven mils. Color coat all accessories except hinges and latches to match the fence. Provide aluminum hinges and latches.
- D. Pipe Sizes and Weights: Provide pipe sizes and weights meeting the requirements of ASME B 36.10, Table 2 and ASTM A 53, Table 1. All pipe sizes listed are nominal, unless otherwise indicated.

PART 2 PRODUCTS

2.1 MANUFACTURERS

A. Acceptable manufacturers are listed below. Other manufacturers of equivalent products may be submitted.

1. Fences

- a. Chain Link Fence Co. of Pennsylvania
- b. U.S. Steel-Cyclone

2.2 FABRIC

A. Provide fabric that is a one piece woven 2-inch mesh chain link of 6-gauge steel wire with a minimum breakload of 1800 lbs/ft. and which is interwoven to form a continuous fabric with no splices and is coated after weaving. Provide the top selvage knuckled for fabric 60 inches high and under, and the bottom selvage twisted and barbed for fabric over 60 inches high. Clean the fabric of all grease and foreign matter before coating and shipping. Stretch the fabric tightly approximately two inches above grade level and attach the fabric to the terminal or gateposts using beveled tension bands and tension bars.

1. Provide galvanized fabric that is fusion coated with a minimum seven-mil coating of black polyvinyl chloride (PVC) applied over a thermoset plastic bonding agent. Conform the PVC to Federal Specification RR-F-191.
2. Vinyl coat all cut ends.
3. Conform aluminum fabric to Fed. Spec. RR-F-191.

2.3 TENSION WIRE

A. For the tension wire for the fence bottom use minimum 6-gauge galvanized coil spring steel fusion color coated as specified for the fabric.

2.4 TOP AND BRACE RAILS

A. General: Furnish the top rail in approximately 20-foot lengths with couplings approximately 6 inches long for each joint. Provide one coupling in each 5 with an expansion spring. Provide the rail continuous from end-to-end for each run of fence. Provide brace rails at all terminal posts, locate the rails midway between the top and bottom of the fabric and extend from the terminal post to the first adjacent line post. Securely fasten rails at both ends. Provide top and brace rails that are galvanized steel fusion color coated as specified for framework in Subsection 1.03 C.

B. Pipe Type: 1-1/4-inch, Schedule 40 pipe or a 1.625- by 1.25-inch roll-formed section with minimum bending strength of 192 pounds on 10-foot span.

2.5 POSTS

- A. General: Provide all posts that are coated as specified for vinyl-coated framework, posts and hardware in Subsection 1.03 C.
- B. Pipe Posts: Provide pipe posts as follows:
 - 1. For end, corner and pull posts use 2-1/2-inch, Schedule 40 pipe
 - 2. For line posts use 2-inch, Schedule 40 pipe
 - 3. For gate posts use the following pipes for different leaves:
 - a. For leaves up to 6 feet wide, use 2-1/2-inch Schedule 40 pipe
 - b. For leaves over 6 feet to 12 feet wide, use 3-1/2-inch Schedule 40 pipe
 - c. For leaves over 12 feet to 18 feet wide, use 6-inch Schedule 40 pipe
- C. Bending Strength: Provide materials with the minimum bending strength based on a 6-foot cantilever for rolled formed or tube posts as follows:

		<u>Galvanized Steel</u>
1.	End, Corner and Pull Posts:	
	2.875" O.D. roll formed or	444
	2-1/2-inch square tube	547
	2-1/2-inch square, heavy wall extrusion	
2.	Line Posts:	
	For fences 8 feet maximum height 1.875- by 1.625-inch C-Section	245
	For fences over 8 feet high 2.25- by 1.703-inch C-Section	347
3.	Gate Posts:	
	For leaves up to 6 feet wide (2.875-inch O.D. roll formed or	444
	2-1/2-inch square tube	645

2.6 GATES

- A. General: For the perimeter construction of gates with leaves up to 6 feet wide, use 1-1/2-inch Schedule 40 pipe or 1-1/2-inch square steel tube, and for gates with leaves greater than 6 feet wide, use 2-inch Schedule 40 pipe or 2-inch square steel tube.
- B. Braces: Provide the gates with sufficient horizontal and vertical members and bracing to ensure structural stability to prevent sagging and to provide for the attachment of fabric, hardware and accessories. Provide gates with diagonal cross bracing consisting of 3/8-inch diameter adjustable length truss rods where necessary to provide frame rigidity without sag or twist.
- C. Cantilever Sliding Gates: Furnish cantilever overhang as follows:

Gate Leaf Size	Overhang
6'-0" to 10'-0"	6'-6"
11'-0" to 14'-0"	7'-6"
15'-0" to 22'-0"	10'-0"
12'-0" to 30'-0"	12'-0"

1. For gates leaf sizes 23'-0" to 30'-0", add one additional 2-inch square lateral support rail welded adjacent to the top horizontal rail. Make the bottom rail of 2" x 4" tubing weighing 1.71 pounds per foot.
2. Provide all cantilever overhang frames having 3/8-inch (galvanized steel) (aluminum) brace rods.
3. Provide the enclosed track made of a combined track and rail aluminum extrusion having a total weight of 3.72 pounds per foot and designed to withstand a reaction load of 2,000 pounds.
4. Provide each gate leaf with two swivel type zinc die cast trucks having four sealed lubricant ball-bearing wheels, 2-inch in diameter by 9/16-inch in width, with two side rolling wheels to insure alignment of the truck in the track. Hold trucks to post brackets by 7/8-inch diameter ball bolts with 1/2-inch shank. Design truck assemblies to take the same reaction load as the track.
5. Install gates on 4-inch OD Schedule 40 (aluminum) (black vinyl coated) posts weighing 9.1 pounds per foot. Use three posts for single slide gate and four posts for double slide gate.
6. Provide guide wheel assemblies for each supporting post. Provide each assembly consisting of two rubber wheels 4 inches in diameter attached to a post so that the bottom horizontal member will roll between the wheels which can be adjusted to maintain gate frames plumb and in proper alignment.

- D. Gate Accessories: Equip gates with hinges, latches, center stops, hasps, holdbacks, and padlocks. Provide hinges, latches, center stops, hasps, and holdbacks that are aluminum. Provide double gates with a center drop bar and gate holdbacks.
- E. Latches: Provide gate latches that are positive locking, pivoting type with the padlocking arrangement accessible from either side of the gate.
- F. Hinges: Hang all gates on offset hinges to permit swinging the gate through a 180-degree arc to lie, when not obstructed, along and parallel to the line of the fence.

2.7 ATTACHMENTS

- A. General: Provide all attachments fabricated of coated to match the fabric as specified for framework, posts and hardware in Subsection 1.03, except provide aluminum hinges and latches.
- B. Tension Bars: Provide 3/16-inch by 3/4-inch galvanized carbon steel tension bars attached to the terminal posts by means of beveled edge bands.
- C. Truss Rods: Provide 3/8-inch diameter galvanized carbon steel truss rods. Securely mount truss rods between the line post end of the brace rail and the base of the terminal post.
- D. Post Tops: Provide post tops of galvanized pressed steel or malleable iron to form weathertight caps for post or tube posts. Make provisions for installation or passage of the top rail.
- E. Brace and Tension Bands: Provide galvanized steel brace bands and tension bands, of the "unclimbable" beveled edge type with 3/8-inch diameter square shouldered aluminum carriage bolts, nonremovable from outside of the fence.
- F. Rail Couplings: Provide rail couplings of the outside sleeve type, not less than six inches long, self-centering, which allows for expansion and contraction. Provide aluminum galvanized steel rail couplings.
- G. Fabric Ties: Provide 11-gauge galvanized steel fabric ties.
- H. Hog Rings: Provide 11-gauge wire, aluminum alloy, Type 6061-T6 hog rings.
- I. Extension Arms: Provide galvanized pressed steel extension arms for supporting the barbed wire where used. Design the arms with an adequate cross section to withstand without failure or permanent deflection a perpendicular force of 250 pounds applied at the end of the arm when the arm is securely attached to the post. Construct extension arms to be slanted out.

PART 3 EXECUTION

3.1 INSTALLATION

- A. General: Install all fencing and accessories according to the manufacturer's recommendations. Do not begin installation and erection before final grading is completed, unless otherwise approved.
- B. Excavation: Drill or hand excavate (using post hole digger) holes for posts to the diameter and spacing indicated, in firm, undisturbed or compacted soil.
 - 1. If not indicated, excavate holes for each post to the minimum diameter recommended by the fence manufacturer, but not less than four times the largest cross-section of the post.
 - 2. Unless otherwise indicated excavate the hole depths approximately 3 inches lower than the post bottom, with the bottom of posts set not less than 36 inches below the finished grade surface.
- C. Barbed Wire: When specifically required, firmly install the barbed wire in slots in the extension arms, anchored to the terminal extension arms after removal of all sag from the wire.
- D. Tension Wire: Attach the tension wire to the bottom of the fabric by hog rings spaced at 24-inch intervals and to terminal posts by brace bands.
- E. Posts: Set posts plumb in concrete encasement at not more than 10-foot centers in the line of the fence with the tops properly aligned. Extend concrete encasement for line posts a minimum of three feet below finish grade with a minimum diameter of ten inches. Extend concrete encasement for terminal, corner and gate posts 40 inches below finished grade, except gate posts for leaves greater than 6 feet, for which extend the encasement 54 inches below grade. Provide the minimum diameter of encasement for terminal, corner and gateposts to be sufficient to provide not less than four inches between any part of the post and the face of the concrete and in no case provide the diameter to be less than 12 inches. Set line posts 32 inches into the concrete and set all other posts 36 inches, except gate posts for leaves greater than 6 feet wide, which are to be set 48 inches into the concrete. Slope the top exposed surface of the concrete to shed water and provide a neat appearance.
 - 1. Place concrete around posts and vibrate or tamp for consolidation. Check each post for vertical and top alignment and hold posts in position during placement and finishing operations.
 - a. Unless otherwise indicated, extend the concrete footing 2 inches above grade and trowel to a crown to shed water.
 - 2. Where aluminum is in contact with concrete, coat the aluminum as specified in Section 09900.

- F. Fabric Ties: Space fabric ties approximately 14 inches apart on the line posts and 24 inches apart on the rails. (For clips used with C-section posts, use galvanized 11-gauge steel wire.)
- G. Fabric: Leave approximately 2 inches between finished grade and the bottom selvage, unless otherwise indicated. Pull the fabric taut and tie to posts, rails, and tension wires. Install the fabric on the security side of the fence, and anchor the fabric to the framework so that the fabric remains in tension after the pulling force is released.
- H. Fasteners: Install nuts for tensions bands and hardware bolts on the side of the fence opposite the fabric side. Peen ends of bolts or score threads to prevent nut removal.

END OF SECTION

NO TEXT FOR THIS PAGE

SECTION 02999

RESTORATION AND MISCELLANEOUS WORK AND CLEANUP

PART 1 GENERAL

1.1 SCOPE OF WORK

- A. This Section includes operations that cannot be specified in detail as separate items but can be sufficiently described as to the kind and extent of work involved. Furnish all labor, materials, equipment and incidentals to complete the work under this Section.
- B. The work of this Section includes, but is not limited to, the following:
 - 1. Restoring of sidewalks, driveways, curbing and gutters.
 - 2. Crossing utilities.
 - 3. Relocation of existing water lines, low pressure, gas lines, telephone lines, electric lines, cable TV lines and storm drains as necessary, all as shown on the drawings.
 - 4. Restoring easements and rights-of-ways.
 - 5. Cleaning up.
 - 6. Incidental work.

1.2 WORK SPECIFIED UNDER OTHER SECTIONS

- A. Complete all work in a workmanlike manner by competent workmen in full compliance with all applicable sections of these Specifications.

PART 2 PRODUCTS

2.1 MATERIALS

- A. Materials required for this Section shall be of at least the same type and quality as materials that are to be restored. Where possible, reuse existing materials that are removed and then replaced, with the exception of paving.

PART 3 EXECUTION

3.1 RESTORING OF CURBING, FENCES, AND GUARD RAILS

- A. Protect existing curbing. If necessary, remove curbing from joint to joint and replace after backfilling. Replace curbing that is damaged during construction with curbing of equal quality and dimension.

3.2 CROSSING UTILITIES

- A. This item shall include any extra work required in crossing culverts, water courses, drains, water mains, and other utilities, including all sheeting and bracing, extra excavation and backfill, or any other work required for the crossing, whether or not shown on the drawings.

3.3 RELOCATIONS OR REPLACEMENT OF EXISTING GAS LINES, TELEPHONE LINES, ELECTRIC LINES, CABLE TV LINES AND DRAINAGE CULVERT

- A. Notify the proper authority of the utility involved when relocation or replacement of these lines is required. Coordinate all work by the utility so that the progress of construction will not be hampered.
- B. Reference all side drains, side ditches, swales, and storm sewers as to grade and location prior to construction, maintain them during construction, and repair them as necessary after construction. Where drainage structures are disturbed and must be replaced, the minimum size replacement shall be twelve inches (12"). All drainage culverts installed shall have mitered ends in conformance with the City Standard Details. Place the culvert to the specified elevations and regrade or reshape the swale and road shoulders that have been disturbed or damaged during construction.

3.4 PROTECTION AND RESTORATION OF PROPERTY

- A. Protection and Restoration of Property: During the course of construction, take special care and provide adequate protection in order to minimize damage to vegetation, surfaced areas, fences, and structures within the construction right-of-way, easement or site, and take full responsibility for the replacement or repair thereof. Immediately repair any damage to private property created by encroachment thereon. Should the removal or trimming of valuable trees, shrubs, or grass be required to facilitate the installation within the designated construction area, this work shall be done in cooperation with the City and/or local communities which the work takes place. Said valuable vegetation, removed or damaged, shall be replanted, if possible, or replaced by items of equal quality, and maintained until growth is re-established. Tree limbs which interfere with equipment operation and are approved for pruning shall be neatly trimmed and the tree cut coated with a tree paint. Topsoil damaged in the course of work shall be replaced in kind with suitable material, graded to match existing grade. Following construction completion, the work area along the route of the installation shall be finish grade to elevations compatible with the adjacent surface, with grassing or hand raking required within developed areas.

- B. Existing lawn surfaces damaged by construction shall be re-graded and re-sodded or re-seeded. These areas shall be maintained until all work under this Contract has been completed and accepted.

3.5 CLEANING UP

- A. Remove all construction material, excess excavation, buildings, equipment and other debris remaining on the job as a result of construction operations and shall render the site of the work in a neat and orderly condition.
- B. Work site clean-up shall follow construction operations without delay and in accordance with Section 01710.

3.6 INCIDENTAL WORK

- A. Do all incidental work not otherwise specified, but obviously necessary for the proper completion of the Contract as specified and as shown on the drawings.

END OF SECTION

NO TEXT FOR THIS PAGE

SECTION 03100
CONCRETE FORMWORK

PART 1 GENERAL

1.1 SUMMARY

- A. Section Includes: Provide concrete formwork for architectural concrete and structural concrete as specified to form concrete to profiles shown.
 - 1. Provide concrete with smooth rubbed finish.
 - 2. Structural concrete is defined as all concrete that is not architectural concrete.
- B. Related Work Specified in Other Sections Includes:
 - 1. Section 03200 - Concrete Reinforcement

1.2 REFERENCES

- A. Codes and standards referred to in this Section are:
 - 1. ACI 318 - Building Code Requirements for Reinforced Concrete
 - 2. ACI SP-4 - Formwork for Concrete

1.3 SUBMITTALS

- A. Provide all submittals, including the following, as specified in Division 1.
 - 1. CONTRACTORS Shop Drawings: Proposed form layout drawings and tie pattern layout drawings for Concrete. Review of these drawings does not relieve the CONTRACTOR of responsibility for adequately designing and constructing forms.
 - 2. Samples: Pieces of each type of sheeting, chamfer strips, form ties, form liners and rustication strips

1.4 QUALITY ASSURANCE

- A. Formwork Compliance: Use formwork complying with ACI SP-4, ACI 347 and ACI 303R.

PART 2 PRODUCTS

2.1 MANUFACTURER

- A. Acceptable manufacturers are listed below. Other manufacturers of equivalent products may be submitted.
 - 1. Release Agent
Magic Kote VOC by Symons Corporation
 - 2. Form coating
A.C. Horn Corporation, Brooklyn, NY
 - 3. Form liners
Dura-Tex by Symons Corporation, Des Plaines, IL
 - 4. Rustications
Symons Corporation, Des Plaines, IL

2.2 MATERIALS

- A. Structural Concrete: Provide structural concrete form materials as follows:
 - 1. Obtain approval for form material before construction of the forms.
 - 2. Use a barrier type form release agent.
 - 3. Use form ties, hangers, and clamps of such type that, after removal of the forms, no metal will be closer than one inch from concrete surface. Wire ties will not be permitted.
 - 4. Provide ties with swaged washers or other suitable devices to prevent seepage of moisture along the ties. Leave the ties in place.
 - 5. Use lugs, cones, washers, or other devices that do not leave holes or depressions greater than 7/8-inch in diameter.

PART 3 EXECUTION

3.1 DESIGN

- A. Design Responsibility: Be responsible for the design, engineering and construction of the architectural concrete formwork and the structural concrete formwork. Conform the work to the recommendations of ACI SP-4 and ACI 303R.
- B. Setting Time and Slag Use: The presence of fly ash or ground granulated blast furnace slag in the concrete mix for architectural concrete and structural concrete will delay the setting time. Take this into consideration in the design and removal of the forms.

- C. Responsibility During Placement: Assume and take sole responsibility for adequate design of all form elements for support of the wet concrete mixtures specified and delivered.
- D. Consistency: Design forms to produce concrete members identical in shape, lines and dimensions to members shown.

3.2 CONSTRUCTION DETAILS FOR FORMWORK

- A. Structural Concrete Details: Follow the following details for all structural concrete:
 1. Provide forms that are substantial, properly braced, and tied together to maintain position and shape and to resist all pressures to which they may be subjected. Make forms sufficiently tight to prevent leakage of concrete.
 2. Determine the size and spacing of studs and wales by the nature of the work and the height to which concrete is placed. Make forms adequate to produce true, smooth surfaces with not more than 1/8-inch variation in either direction from a geometrical plane. Provide horizontal joints that are level, and vertical joints, which are plumb.
 3. Supply forms for repeated use in sufficient number to ensure the required rate of progress.
 4. Thoroughly clean all forms before reuse and inspect forms immediately before concrete is placed. Remove deformed, broken, or defective forms from the work.
 5. Provide temporary openings in forms at convenient locations to facilitate cleaning and inspection.
 6. Coat the entire inside surfaces of forms with a suitable form release agent just prior to placing concrete. Form release agent is not permitted on the reinforcing steel.
 7. Assume and take responsibility for the adequacy of all forms and remedying any defects resulting from their use.

3.3 FORM REMOVAL

- A. Structural Concrete Form Removal: Do not remove forms for structural concrete until the concrete has hardened sufficiently to support its own load safely, plus any superimposed load that might be placed thereon.

3.4 TOLERANCES

- A. Tolerance Limits: Design, construct and maintain concrete form and place the concrete to provide completed concrete work within the tolerance limits set forth in ACI SP-4.

END OF SECTION

SECTION 03200
CONCRETE REINFORCEMENT

PART 1 GENERAL

1.1 SUMMARY

- A. Section Includes: Requirements for providing concrete reinforcement as shown and specified herein. Reinforcement includes all steel bars, wire and welded wire fabric as shown and specified.
- B. Related Work Specified in Other Sections Includes:
 - 1. Section 03100 - Concrete Formwork
 - 2. Section 03410 - Precast Concrete Structures

1.2 REFERENCES

- A. Codes and standards referred to in this Section are:
 - 1. ACI SP66 - ACI Detailing Manual
 - 2. ACI 318 - Latest edition "Building Code Requirements for Reinforced Concrete"
 - 3. ASTM A 185 - Steel Welded Wire Fabric, Plain, for Concrete Reinforcement
 - 4. ASTM A 615/A615M - Deformed and Plains Billet-Steel Bars for Concrete
 - 5. ASTM A 706/A706M - Low Alloy Steel Deformed Bars for Concrete Reinforcement
 - 6. ASTM A 775/A775M - Epoxy Coated Reinforcing Steel Bars
 - 7. AWS D1.4 - Structural Welding Code - Reinforcing Steel

1.3 SUBMITTALS

- A. Provide all submittals, including the following, as specified in Division 1.
 - 1. Product Data and Information: Submit manufacturers literature with product data, and material description of fusion bonded epoxy coating for reinforcement and reinforcement accessories, including manufacturer's

recommendations for field touch-up of mars and cut ends when epoxy coated reinforcement is specified to be used.

2. CONTRACTORS' Shop Drawings: Submit checked Working Drawings, including bar lists, schedules, bending details, placing details and placing plans and elevations for fabrication and placing reinforcing steel conforming to "ACI Detailing Manual SP-66".
 - a. Do not bill wall and slab reinforcing in sections. Show complete elevations of all walls and complete plans of all slabs, except that, when more than one wall or slab are identical, only one such elevation or plan is required. These plans and elevations need not be true views of the walls or slabs shown. Bill every reinforcing bar in a slab on a plan. Bill every reinforcing bar in a wall on an elevation. Take sections to clarify the arrangement of the steel reinforcement. Identify all bars, but do not bill on such sections.
 - b. For all reinforcing bars, unless the location of a bar is clear, give the location of such bar or bars by a dimension to some structural feature that will be readily distinguishable at the time bars are placed.
 - c. Make the reinforcing steel placing drawings complete for placing reinforcement including the location of support bars and chairs, without reference to the design drawings.
 - d. Submit Detailer certification that every reinforcing steel placing drawing and bar list is completely checked and corrected before submittal for approval.
 - e. If, after reinforcing steel placing drawings and bar lists have been submitted for approval, a review reveals that the drawings and lists obviously have not been checked and corrected they will be returned for checking and correcting by the Detailer.
3. Samples: Submit the following samples when epoxy coated reinforcement is specified to be used.
 - a. 12-inch long epoxy-coated steel reinforcing bar, of any size typical to this Project
 - b. One of each type of epoxy-coated reinforcement accessory used on this Project
 - c. 12-inch long, nylon coated tie wire
4. Certificates: Test certificates of the chemical and physical properties covering each shipment of reinforcing steel bars. Test for bars 3/4 inches in diameter and larger shall consist of the bar being bent cold to 90 degrees around a pin 3 times the diameter of the test bar without evidence of

cracking. For bars under three-fourths (3/4") in diameter, the bend test requirements shall be that the bar shall be bent cold one hundred and eighty (180) degrees around a pin having a diameter three (3) times that of the bar under test, without evidence of breaking.

1.4 DELIVERY, STORAGE AND HANDLING

- A. Deliver, store and handle all products and materials as specified in Division 1 (and as follows:)
 - 1. Delivery Requirements: Have reinforcing steel delivered to the work in strongly tied bundles. Identify each group of both bent and straight bars with a metal tag giving the identifying number corresponding to the reinforcing steel placing drawings and bar lists.
 - 2. Storage: Properly store all bars in an orderly manner, with all bars completely off the ground. Keep bars clean after delivery to the site of the work.

PART 2 PRODUCTS

2.1 MANUFACTURERS

- A. The brand of manufacturer shall be legibly rolled on all bars, and when loaded for mill shipment, all bars shall be properly separated and tagged with manufacturer's test identification number.
- B. Acceptable manufacturers are listed below. Other manufacturers of equivalent products may be submitted.
 - 1. Mechanical connections
 - a. Dowel Bar Splicer/Dowel-In System and Coupler Splice System of the Richmond Screw Anchor System
 - b. Cadweld Rebar Splice by Erico Products Inc.
 - c. Bar Grip Splice by Barsplice Products Inc.

2.2 MATERIALS

- A. Steel Bars: Use new billet steel bars, deformed bars, meeting the requirements of ASTM A 615/A625M Grade 60 for reinforcing steel bars.
 - 1. Roll all reinforcing steel bars with special deformations or identifying marks indicating the ASTM Specification and Grade.
 - 2. Use bars free from defects, kinks and from bends that cannot be readily and fully straightened in the field.

3. Supply reinforcing bars in lengths that will allow convenient placement in the work and provide the required length of at least 40 diameters of lap of joints as shown. Provide dowels of proper length, size and shape for tying walls, beams, floors, and the like together.
- B. Epoxy Coating: Conform fusion bonded epoxy coated reinforcing steel bars to ASTM A 775/A775M when used. Leave portions of the reinforcing steel bars uncoated where mechanical connections are shown.
- C. Welded Wire Fabric: Use welded wire fabric of the electrically welded type, with wires arranged in rectangular patterns, of the sizes shown or specified and meeting the requirements of ASTM A 185.
- D. Supports and Accessories: Provide bar supports and other accessories and, if necessary, additional supports to hold bars in proper position while concrete is being placed.
1. Use side form spacers against vertical or sloping forms to maintain prescribed side cover and cross position of bars.
 2. Use individual hi-chairs with welded cross ties or circular hoops to support top bars in slabs thicker than 8 inches.
 3. Bolsters, chairs and other accessories:
 - a. Use hot-dipped galvanized or provide plastic coated legs when in contact with forms for surfaces of concrete other than architectural surfaces.
 - b. Use stainless steel when in contact with forms for architecturally exposed surfaces.
 - c. Use epoxy coated bolsters, chairs and accessories including wire ties for epoxy coated reinforcing bars.
 - d. Use chairs of an approved type and space them properly to support and hold reinforcing bars in position in all beams and slabs including slabs placed directly on the subgrade or work mat. Do not use continuous hi-chairs for supporting of top bars in slabs over 8 inches in thickness.
- E. Mechanical Connections: Provide mechanical connections that develop at least 125 percent of the specified yield strength of the bar in tension.
- F. Stirrups and Ties: Provide stirrups and ties as shown and specified and meeting the requirements of ASTM A 185.

2.3 FABRICATION

- A. Drawing Review Prior to Fabrication: Do not fabricate any material before final review and approval of shop drawings.
- B. Bending and Cutting: Cut bars to required length and bend accurately before placing. Bend bars in the shop unless written approval for field bending is obtained. If field bending is permitted, do it only when the air temperature, where the bending operation is performed, is above 30 degrees F. Do not field bend bars that have been partially embedded in concrete.
- C. Splices: Use lapped splices for tension and compression splices unless otherwise noted.
- D. Cleaning: Clean and bend reinforcement in accordance with ACI 315 and ACI 318.

PART 3 EXECUTION

3.1 INSTALLATION

- A. Placement: Place all bars in accordance with CRSI "Recommended Practice for Placing Reinforcing Bars".
- B. Tolerances: Place bars used for top reinforcement in slabs to a vertical tolerance of plus or minus 1/4-inch. Place all other reinforcement to the tolerances given to ACI 318.
- C. Cleaning: Have reinforcing steel delivered without rust other than that accumulated during transportation to the work. At all times, fully protect reinforcing steel from moisture, grease, dirt, mortar and concrete. Before being placed in position, thoroughly clean reinforcing steel of all loose mill scale and rust and of any dirt, oil, grease coatings, or other material that might reduce the bond. If there is a delay in depositing concrete, inspect and satisfactorily clean the steel immediately before the concrete is placed.
- D. Bar Positioning: Place bars in the exact positions shown with the required spacing and cross wire bars securely in position at intersections to prevent displacement during the placing of the concrete. Fasten the bars with annealed wire of not less than 17 gauge or other approved devices.
- E. Bar Extension Beyond Formwork: On any section of the work where horizontal bars extend beyond the length of the forms, perforate the form or head against which the work ends or at the proper places to allow the bars to project through a distance at least equal to the lap specified.
- F. Unacceptable Materials: Do not place reinforcing steel with damaged, unsuitably bonded epoxy coating or rusting. If approved, mars, exposed threads of

mechanical connections and cut ends may be field coated with approved epoxy coating material.

- G. Review of Placement: Have reinforcing placement reviewed by the ENGINEER before concrete is placed.
- H. Welding - Not Approved: Do not use reinforcing bar assemblies made by welding of any kind, or accessories of any kind which require field welding to reinforcing bars.
- I. Welding - Approved: Where welding of reinforcing steel is shown, AWS D1.4 "Structural Welding Code - Reinforcing Steel" applies.
- J. Tension and Compression Lap Splices: Conform tension and compression lap splices to ACI 318 with all supplements. Avoid splices at points of maximum tensile stress wherever possible. Provide temperature bars with the clear spacing shown. Stagger all bar splices in hoop tension bars in circular tanks with not more than 50 percent of the bars spliced in any one direction. Have welded splices made by certified welders in accordance with AWS D1.4.
- K. Welded Wire Fabric: Place welded wire fabric in the positions shown, specified or required to fit the work. Furnish and place suitable spacing chairs or supports, as specified for bars, to maintain the fabric in the correct location. Where a flat surface of fabric is required, provide flat sheets, when available. Otherwise reverse roll the fabric or straighten to make a perfectly flat surface before placing. Obtain approval for the length of laps not indicated.
- L. Concrete Cover: Place reinforcing steel and welded wire fabric and hold in position so that the concrete cover, as measured from the surface of the bar or wire to the surface of the concrete, is as shown or specified.

END OF SECTION

SECTION 03310

CONCRETE, MASONRY MORTAR AND GROUT

PART 1 GENERAL

1.1 SUMMARY

- A. Section Includes: Cement, sand, aggregate admixtures and water for use in concrete, masonry mortar and grout.

1.2 REFERENCES

- A. Codes and standards referred to in this Section are:
 1. ASTM C 91 - Masonry Cement
 2. ASTM C 144 - Aggregate for Masonry Mortar
 3. ASTM C 150 - Portland Cement
 4. ASTM C 207 - Hydrated Lime for Masonry Purposes
 5. ASTM C 270 - Mortar for Unit Masonry
 6. ASTM C 231 - Air Content of Freshly Mixed Concrete
 7. ASTM C 404 - Aggregate for Masonry Grout
 8. ASTM C 476 – Grout for Masonry
 9. ASTM C 780 - Preconstruction and Construction Evaluation of Mortars for Plain and Reinforced Unit Masonry
 10. ASTM C 1019 - Sampling and Testing Grout
 11. CRD C-619 - Specification for Grout Fluidifier.
 12. CRD C-621 - Specification for Non-Shrink Grout.
 13. Brick Institute of America Research Report No. 15
 14. ACI 530.1/ASCE 6-92 - Specifications for Masonry Structures

1.3 SUBMITTALS

- A. Provide all submittals, including the following, as specified in Division 1.

- B. Product Data and Information: Submit the following:
1. Furnish notarized certificates of manufacture as evidence that the cement conforms to the specified requirements. Include mill-test reports on the cement.
 2. Furnish notarized certificates to verify that the hydrated lime and aggregates meet the specified requirements.
 3. Furnish laboratory tests as evidence that the air content and masonry mortar compressive strength meet the requirements of ASTM 270 Type N and that the efflorescence tendency meets the requirements of the wick test in Brick Institute of America Research Report No. 15.
 4. Furnish laboratory tests as evidence that the masonry grout compressive strength is equal to or greater than 2,500 psi at 28 days.

1.4 DELIVERY, STORAGE AND HANDLING

- A. General: Deliver, store and handle all mortar and grout materials as recommended by the manufacturers and as specified in Division 1 (and as follows:)
- B. Cement: Store cement in weathertight buildings that will exclude moisture and contaminants. Do not use cement that has deteriorated from storage.
- C. Hydrated Lime: Store hydrated lime in weathertight buildings which will exclude moisture and contaminants.
- D. Aggregates: Keep aggregates clean and free from all other materials during transportation and handling. Stockpile aggregate in a manner to prevent segregation.

PART 2 PRODUCTS

2.1 CEMENT

- A. Portland Cement shall be of a standard brand and shall conform to the requirements of ASTM C150-latest edition, except as hereinafter stated. One bag of cement shall be considered as weighing 94 pounds. Type I shall be used unless higher cement is specified, in which event Type III shall be used. For Type I, the maximum amount of tricalcium silicate shall be 60 percent. Cement may be shipped either in paper or cloth sacks and the package shall have the brand and name of manufacturer plainly marked on the outside. All cement shall be stored in weatherproof buildings in such a manner as will prevent absorption of moisture by the lower layers. Shipment shall be segregated by lot for identification. Type I cement which has been in storage more than 90 days shall be re-tested before use. Where carload shipments are used, a certificate from an approved testing laboratory shall be submitted prior to use of such cement on the job.

2.2 AGGREGATE

A. Fine Aggregate:

1. Composition: Fine aggregate shall consist of natural sand and shall be graded from coarse to fine within the following limits shown in the table below. Sand failing to meet the minimum requirement for material passing the Number 50 and/or Number 100 Sieve may be used, provided other satisfactory inorganic fine materials are added. If two sands are used, each must be mixed, after separate weighing, in proportions approved by the City Manager or designee.

U.S. Standard Square Opening Sieve	Percent of Total By Weight Passing	
	Minimum	Maximum
No. 4	97	100
No. 8	80	100
No. 30	25	75
No. 50	10	30
No. 100	2	10
No. 200 (By Washing)	0	4

2. Stockpiling: Fine aggregate shall be stored on a well-drained site, which has been cleared, grubbed and cleaned. Stockpiles shall be built up so as to prevent segregation of large and small particles.
3. Unsuitable Materials in Fine Aggregate: Not more than one percent (1%) by weight of clay lumps or soft, disintegrated or coated grains shall be present in the fine aggregate. It shall also be free from foreign material such as dirt, wood, paper, burlap, or other unsuitable material. When tested in accordance with AASHTO T-21-27, it shall show a color not darker than standard. When tested for mortar strength in accordance with AASHTO T-71-38, the fine aggregate shall have a tensile strength at three (3) days (Type III), or at seven (7) days, (Type I); not less than 95 percent of that developed by mortar having the same water-cement ratio and consistency, made of the same cement and graded Ottawa Sand having a fineness modulus of 2.40, plus or minus 0.05.

B. Coarse Aggregate:

1. Composition: Coarse aggregate shall consist of crushed stone. It shall be washed to remove clay, loam and dust. At his/her discretion, the City Manager or designee may waive the washing requirement for stone having a loss of not more than thirty per cent (30%) when tested in accordance with the provisions of AASHTO T-96-38.

2. Unsuitable Material in Coarse Aggregate: The coarse aggregate shall not contain more than the following percentages of deleterious material:

Soft Fibrous, Disintegrated Particles (Weight)	3.0%
Clay Lump (Weight)	0.2%
Finer Than No. 200 Sieve (Weight)	0.5%
Flat or Elongated Particles (Count)	10.0%

When subjected to AASHTO Test T-96-38, the aggregate shall have a loss not greater than sixty-five percent (65%). Aggregate shall be free from loam, wood, leaves, or other foreign material.

3. Gradation: For unreinforced foundations, for paving or for other unreinforced mass concrete, the gradation of coarse aggregate shall be as shown in Table 1. For reinforced footings, reinforced walls over 6" in thickness, ordinary floor slabs and similar structures, the gradation shall be as shown on Table 2. For handrails, reinforced walls, thin reinforced floor slabs electrical conduit encasement, and similar construction, the gradation shall be as shown on Table 3.

Table 1	
Percent Passing Square Opening Sieve	Percent By Weight
2-1/2 inch	100
2 inch	95 – 100
1 inch	35 – 70
1/2 inch	10 – 30
No. 4	0 – 5
Table 2	
Percent Passing Square Opening Sieve	Percent By Weight
1-1/2 inch	100
1 inch	90 – 100
1/2 inch	25 – 60
No. 4	0 – 10
No. 8	0 – 5

Table 3	
Percent Passing Square Opening Sieve	Percent By Weight
1 inch	100
3/4 inch	90 – 100
3/8 inch	20 – 55
No. 4	0 – 10
No. 8	0 – 5

4. Stockpiles: Stockpiles shall be constructed in layers not exceeding three feet (3') in height, and material shall be deposited in such manner as to prevent segregation of coarse and fine materials. Each type of aggregate shall be placed in a separate stockpile. Stockpile sites shall be cleared, grubbed and drained before using.

2.3 HYDRATED LIME

- A. Provide hydrated lime meeting the requirements of ASTM C 207.

2.4 WATER

- A. Water shall be clean and free from salt, oil or organic substances. Laboratory tests shall be made to determine suitability of any water for use in concrete unless it is secured from a public water supply.

PART 3 EXECUTION

3.1 CONCRETE PROPORTIONING

- A. Concrete aggregate shall be proportioned by weight. When the sources of supply shall have been determined by the CONTRACTOR and approved by the Engineer, the mix shall be set by an approved testing laboratory. Mix shall be designed for a "slump" suitable for the character of structure in which the concrete is to be incorporated. All concrete shall be as specified herein.
- B. After a suitable design mix has been approved by the Engineer, it shall not be changed so long as materials of the same characteristics are used in the mix. Within the limits of the various cement factors shown above, the mix shall be varied until the homogenous workable mixture, suitable for the class of structure intended, has been obtained.

3.2 CONCRETE MIXING

- A. Concrete mixing shall be by means of a modern batch mixer equipped with an accurately operating water measuring device and an automatic time locking device.
- B. Where a central batching plant is not operated, each mixer must have available an approved portable weighing device for use in proportioning. Each batch shall be mixed for one and one-half (1½) minutes after charging has been completed, and during such mixing period, that drum shall operate with a peripheral speed of not less than one-hundred and fifty-three (153), nor more than two-hundred and twenty-five (225) feet per minute. The number of revolutions per minute shall be between fourteen (14) and twenty (20). Retempering concrete or use of concrete in which initial set has taken place will not be allowed. Transit mixed concrete from an approved batching plant and suitable truck mixer may be as approved by Engineer of Record.

3.3 PIPE GROUT

- A. Mix lean grout for backfilling the space surrounding the pipe sections in tunnel or other areas as specified or directed in the proportion of 1 part Portland cement to 12 parts sand by volume.
- B. Mix grout to a consistency that can be pumped into the pipe. Use a grout fluidifier to reduce water quantity and improve workability.

3.4 TESTING

- A. Masonry Mortar: Make and test specimens for preconstruction and construction evaluation of masonry mortar in accordance with the requirements of ASTM C 780.
- B. Masonry Grout: Make and test specimens for preconstruction and construction evaluation of masonry grout in accordance with the requirements of ASTM C 1019.
- C. Concrete shall contain cement, coarse aggregate, and fine aggregate meeting the Specifications contained in previous paragraphs of this Part. Unless otherwise specified or shown in the plans, the design strength of the several elements included in the plans shall be:
 - 1. Four thousand (4,000) pounds minimum compressive strength per square inch at twenty-eight (28) days for all piers, reinforced walls, floors, slabs, precast structures and other special sections where specifically shown on the plans or Standard Details.
 - 2. Two thousand five hundred (2,500) pounds minimum compressive strength per square inch at twenty-eight (28) days for all blocking, reinforced footings, for retaining walls not subject to hydrostatic pressure, or where specifically shown on the plans or shown in the Standard Details.

END OF SECTION

SECTION 03410

PRECAST CONCRETE STRUCTURES

PART 1 GENERAL

1.1 SCOPE OF WORK

- A. Furnish all materials, labor, and equipment and construct manholes, wet wells, valve pits, meter pits, and accessory items, consisting of precast sections as shown on the Drawings and as specified herein.
- B. The forms, dimensions, concrete, and construction methods shall be approved by the ENGINEER in advance of construction.
- C. These specifications are intended to give a general description of what is required, but do not purport to cover all of the structural design details which will vary in accordance with the requirements of the equipment as offered. It is, however, intended to cover the furnishing, shop testing, delivery, and complete installation of all precast structures whether specifically mentioned in these specifications or not.
- D. The supplier of the precast manholes, wet wells, valve pits, meter pits, and accessory items shall coordinate his work with that of the CONTRACTOR to the end that the unit will be delivered and installed in the excavation provided by the CONTRACTOR, in accordance with the CONTRACTOR's construction schedule.
- E. Coordinate the precast structures fabrication with the equipment supplied to achieve the proper structural top slab openings, spacings, and related dimensions for the selected equipment frames and covers. The top slabs, frames, covers, and subsurface structures shall be capable of supporting a live load of 150 pounds per square foot.

1.2 SUBMITTALS

- A. Submit to the ENGINEER, as provided in the General Conditions, shop drawings showing details of construction, reinforcing and joints.
- B. Shop Drawings
 - 1. Content
 - a. Dimensions and finishes
 - b. Estimated camber
 - c. Reinforcing and connection details

- d. Anchors
 - e. Lifting and erection inserts
 - f. Other items cast into members
2. Show location of unit by same identification mark placed on member.
 3. Include design calculations.
- C. Manufacturer's Literature: Manufacturer's recommended installation instructions.
 - D. Manufacturer's certificates of material conformance with specifications.
 - E. Test Reports: Reports of tests on concrete.
 - F. Testing
 1. Manholes and Valve Vaults: Four (4) concrete test cylinders shall be taken for every 50 cubic yards (cu. yds) for each type of precast structure.
 2. Pump Stations: Four (4) concrete test cylinders shall be taken for each pump station wet well. Four (4) concrete test cylinders shall be taken for each pump station's top and bottom slabs.
 3. Certification: The supplier shall provide the certified results of testing (7 day, 28 day) for the test cylinders stated herein. Random test cylinders may be taken at any time by the ENGINEER at the CITY's expense.

1.3 INSPECTION

- A. The quality of all materials, the process of manufacture, and the finished sections shall be subject to inspection and approval by the ENGINEER, or the City Manager or designee. Such inspection may be made at the place of manufacture, or at the site after delivery, or at both places, and the sections shall be subject to rejection at any time on account of failure to meet any of the Specification requirements; even though sample sections may have been accepted as satisfactory at the place of manufacture. Sections rejected after delivery to the job shall be marked for identification and shall be removed from the job at once. All sections which have been damaged after delivery will be rejected, and if already installed, shall be repaired, if permitted and accepted by ENGINEER, or removed and replaced, entirely at the CONTRACTOR's expense.
- B. At the time of inspection, the sections will be carefully examined for compliance with ASTM C478 designation and these Specifications, and with the approved manufacturer's drawings. All sections shall be inspected for general appearance, dimension, "scratch-strength", blisters, cracks, roughness, soundness, etc. The surface shall be dense and close-textured.

- C. Imperfections may be repaired, subject to the approval of the ENGINEER, after demonstration by the manufacturer that strong and permanent repairs result. Repairs shall be carefully inspected before final approval. Cement mortar used for repairs shall have a minimum compressive strength of 4,000 psi at the end of 7 days and 5,000 psi at the end of 28 days, Epoxy mortar may be utilized for repairs subject to the approval of the ENGINEER.

PART 2 PRODUCTS

2.1 PRECAST CONCRETE WET WELLS AND VALVE VAULTS

- A. Precast submersible pump station wet wells shall consist of precast base, precast wet well sections, and top cover slab. Precast valve vaults shall consist of precast base, sidewalls and top slab. Concrete shall be air entrained at the time of delivery and shall have a minimum compressive strength of 4,000 psi at the end of 28 days.
- B. Joints between precast concrete sections shall be set by plastic shims and fitted with non-metallic non-shrink grout as shown on the drawings.
- C. The top slab sections shall be fitted with watertight hatches. The frames and covers will be sized for the openings shown on the drawings.
- D. The various precast sections should have the inside dimensions and minimum thickness of concrete as indicated on the drawings. All precast and cast-in-place concrete members shall conform to the Building Code Requirements for Reinforced Concrete ACI 318.
- E. A vent pipe shall be furnished and installed as shown on the drawings.
- F. Fillets shall be provided and installed in the wet wells as shown on the drawings.
- G. Precast structures shall be constructed to the dimensions as shown on the drawings and as specified in these Specifications.
- H. Type II cement shall be used except as otherwise approved.
- I. The date of manufacture and the name or trademark of the manufacturer shall be clearly marked on the inside of each precast section.
- J. Sections shall be cured by an approved method and shall not be shipped until the minimum 7-day compressive strength has been attained.
- K. Each pre-cast section manufactured in accordance with the drawings shall be clearly marked to indicate the intended pump station installation location. The CONTRACTOR shall be responsible for the installation of the correct pre-cast sections in their designated pump station locations.

- L. Paint all exterior surfaces with two coats of coal tar bitumastic, each coat to be 9 mils each. All interior surfaces of valve vaults shall be coated with two coats of coal tar epoxy (9 mils each).

2.2 PRECAST CONCRETE SECTIONS FOR CIRCULAR WET WELLS

- A. Wet wells shall meet the requirements of ASTM C478, Specification for Precast Reinforced Concrete Manhole Sections, with the exclusion of Section 10(a), except as modified herein. Cement shall meet the requirements of ASTM C150-74, Specification for Portland Cement, Type II. Concrete shall meet the minimum requirement for 4000 psi concrete. Minimum wall thickness shall be 8 inches or 1/8 the inside manhole diameter as shown, whichever is greater. The required minimum strength of concrete shall be confirmed by making and testing three standard cylinders at seven days. Rings shall be custom made with openings to meet indicated pipe alignment conditions and invert elevations. Submit shop drawings, consisting of manufacturers' standard details of various sections for approval prior to placing order for wet wells. Drawings of individual wet wells showing invert elevations, pipe sizes and similar details will not be required.

- B. Joints

Form joint contact surfaces with machined castings. Surfaces shall be exactly parallel with nominal 1/16 inch clearing and the tongue equipped with a proper recess for the installation of an O-ring rubber gasket. Gaskets shall meet the requirements of Specification for Joint for Circular Concrete Sewer and Culvert Pipe, Using Rubber Gaskets. "RAM-NEK" sealing compound conforming to Federal Specification SSS-00210 (GSA-FSS), Sealing Compound, Preformed Plastic, for Expansion Joints and Pipe Joints may be used in lieu of O-ring rubber gaskets. If joints are sealed with "RAM-NEK" sealing compound the recess in the tongue for an O-ring gasket may be omitted.

- C. Wet Well Liners and Coatings

Coat or line the interior of all wet wells with one of the following CITY approved systems:

1. SewperCoat Lining System
2. IET Coating System

Furnish, install, test and inspect liners and coating in accordance with manufacturer's recommendations, and in accordance with Section 02608 "Concrete Coatings". Extend coating and liner and seal onto wet well hatch frame, around pipe openings and other protrusions to prevent contact of wet well surface with corrosive sewer gases. Provide factory or field applied bituminous or epoxy

sealer exterior coatings. If exterior coating is factory applied, CONTRACTOR shall provide field touch-up as required.

2.3 PIPE CONNECTIONS AT STRUCTURES

- A. Where pipes are to extend into or through structures from the exterior, provide flexible connections (mechanical or push-on type joints) at the exterior wall face.
- B. For pipes passing through structural walls, install wall pipes with water stops where the location is below the surface of the ground or at any point where fluid levels will exceed that elevation. Neoprene sleeves with watertight caulking and 316 Series SS stainless steel clamps will be suitable at other locations.

PART 3 EXECUTION

3.1 INSTALLATION

- A. Control ground water to provide firm, dry subgrade for the structure, and prevent water rising on new poured in place concrete or grouted joint sections within 24 hours after placing. Guard against flotation or other damage resulting from ground water or flooding.
- B. Place a 12-inch layer (minimum thickness) of crushed stone or shell as specified under Section 02223 as a foundation for the wet well base slabs, valve pits, and meter pits.
- C. Provide backfill material around the wet well and above the pipe bedding as specified in Section 02223.
- D. Precast bases, conforming to all requirements of ASTM C478 and above listed requirements for precast sections, may be used. Set the base in place on a thoroughly compacted crushed stone sub-base and adjust grade for the correct structure elevation.
- E. Do not set the station into the excavation until the installation procedure and excavation have been approved by the City Manager or designee.
- F. The base may be cast-in-place concrete as specified in Division 3, placed on a thoroughly compacted crushed stone sub-base. Shape the tops of the cast-in-place bases to mate with the precast barrel section, and adjust in grade so that the top slab section is at the approximately correct elevation.
- G. Set the precast concrete structure sections so as to be vertical and with sections in true alignment with a 3 inch maximum tolerance to be allowed. Fill the outside and inside joint with a non-shrink grout and finish flush with the adjoining surfaces. Allow joints to set for 24 hours before backfilling. Backfill in a careful manner, bringing the fill up evenly on all sides. If leaks appear in the structures, caulk the

inside joints with lead wool to the satisfaction of the ENGINEER. Install the precast sections in a manner that will result in a watertight joint.

- H. Plug holes in the concrete sections required for handling or other purposes with a non-shrinking grout or by grout in combination with concrete plugs.
- I. Where holes must be cut in the precast sections to accommodate pipes, cutting shall be done by core drilling prior to setting them in place to prevent any subsequent jarring which may loosen the mortar joints.

END OF SECTION

SECTION 05540
METAL CASTINGS

PART 1 GENERAL

1.1 SUMMARY

A. Section Includes: Miscellaneous ferrous and nonferrous castings.

1. This classification includes wheel guards, valve boxes, manhole frames and covers, manhole steps, stop plank grooves, brackets and supports for piping and gutter inlets, floor drains, cleanouts and special malleable iron castings and inserts.

1.2 REFERENCES

A. Codes and standards referred to in this Section are:

1. ASTM A 27/A27M - Specification for Steel Castings, Carbon for General Applications
2. ASTM A 47 - Specification for Ferric Malleable Iron Castings
3. ASTM A 48 - Specifications for Gray Cast Iron Castings
4. ASTM A 148/A148M - Specifications for Steel Castings
5. ASTM A 536 - Specifications for Ductile Iron Castings
6. ASTM B 26/B26M - Aluminum
7. ASTM B 148 - Aluminum Bronze Sand Castings
8. ASTM B 584 - Manganese Bronze

PART 2 PRODUCTS

2.1 WORKMANSHIP

A. Provide castings accurately made to the approved dimensions, and plane or grind castings where marked or where otherwise necessary to secure flat and true surfaces. Make allowance in the patterns so that the specified thickness is not reduced. Provide manhole covers which conform to the details shown and which are true and seat at all points. Supply castings showing the name of the manufacturer and the country of manufacture. No plugging or welding of defective castings will be permitted.

2.2 WEIGHTS

- A. Reject castings with a weight which is less than the theoretical weight based on required dimensions by more than 5 percent. Provide facilities at the site for weighing castings in the presence of the ENGINEER, or furnish invoices showing true weights, certified by the supplier.

PART 3 EXECUTION

3.1 INSTALLATION

- A. Erect all castings to accurate grades and alignment, and when placing in concrete carefully support castings to prevent movement during concreting.

3.2 PAINTING

- A. Deliver all manhole castings to the job site unpainted. If painting is specified, clean metal castings thoroughly before painting. Give manhole frames and covers and valve boxes one coat of primer and two coats of an approved asphaltum varnish or other approved coating at the point of manufacture. Paint all other castings as specified in the City Standard Details.

END OF SECTION

SECTION 13501
SMOKE TESTING OF
WASTEWATER COLLECTION SYSTEMS

PART 1 GENERAL

1.1 DESCRIPTION

A. Work specified herein:

Furnishing all labor, tools, test equipment and materials, including permits, required to smoke test and video tape the designated systems. CONTRACTOR shall provide all labor and materials for notices and notifications to affected customers, and appropriate public and/or private agencies.

B. Related work specified elsewhere:

1. Section 13511 – Televising and Inspection of Gravity Sewer Systems

1.2 QUALITY ASSURANCE

- A. CONTRACTOR shall provide a minimum of three references proving competence in the field of smoke testing.
- B. CONTRACTOR shall do all testing with ENGINEER present, unless prior written approval is obtained from the OWNER. CONTRACTOR shall confirm with ENGINEER all notifications of appropriate agencies in writing.
- C. Equipment used shall be in good working order and provide continuous operation during testing.
- D. All smoke bombs used shall not be more than 6 months old and have been stored according to the manufacturer's specifications.

1.3 SUBMITTALS

- A. CONTRACTOR shall submit to the OWNER a list of equipment and materials to be used on the project including all permits obtained prior to commencing with the testing.
- B. Contractor shall submit to the OWNER a sample of the notifications for review, testing log reports and videotaping methods.

PART 2 PRODUCTS

2.1 SMOKE BOMBS

- A. Smoke Bombs shall be manufactured by Superior Signal Company, Inc., W. Greystone Road, Spotswood, New Jersey (Phone: (908) 251-0800), or approved equal.

PART 3 EXECUTION

3.1 NOTIFICATIONS

- A. CONTRACTOR is responsible for and shall notify all agencies involved (fire department, police, etc.) and notify all affected homeowners. In the test area, homeowners shall be notified in the following manner:

1. 48 Hour Notification – Door Hangers
2. Verbal notification to homeowner and the leaving of notice explaining smoke testing, time and dates.

Fire Department, Police Department, and any other public agencies shall be notified in the following manner:

3. 48 hours prior to any work they shall be given a written itinerary indicating dates and locations in which work will be done in for the complete project.
4. 24 hour verbal notice of where the CONTRACTOR will be working.
5. Verbal notification at the start of each day (in the morning) of the specific areas in which the CONTRACTOR will be working in.

- B. All notification shall be done and reviewed with ENGINEER prior to commencing work. Contractor is liable for any and all expenses incurred by improper notification of local, City, state or federal agencies.

3.2 SMOKE TESTING OF SYSTEMS

- A. The CONTRACTOR shall smoke test all sections of the specified collection systems. The purpose of smoke testing is to find surface locations of any leaks or defects in the gravity collection system. Smoke testing shall test no more than two (2) consecutive sections at one time.
- B. CONTRACTOR shall only work on dry weather days. Under no circumstances shall smoke testing be done under rainy conditions. Delays/postponements due to rain are the CONTRACTOR's responsibility and no additional payment will be made for these delays.
- C. Smoke blowing machine shall be capable of a minimum of 1700 cubic feet per minute. Smoke blower shall create a complete seal around the

manhole into which it is discharging. Blower shall operate continuously prior to, during, and until the test is complete. If blower ceases operating during the test, the CONTRACTOR shall retest that section at no additional cost to the OWNER.

- D. CONTRACTOR shall use a minimum of two (2) 3-minute bombs for every two (2) manhole segments of pipe. If only one segment is tested then only one (1) 3-minute bomb is required. Smoke bombs shall be suspended above the bottom of the manhole by quick clips or a perforated bucket. All smoke bomb debris shall be removed from the manhole and site after the test is complete. If a smoke bomb fails to ignite, the CONTRACTOR shall retest the sections at no additional cost to the OWNER.
- E. CONTRACTOR shall seal upstream and downstream manholes of test area. Sealing procedures shall be approved prior to smoke testing. NASSCO standards for smoke testing shall be followed.

3.3 VIDEOTAPING OF SMOKE TESTING

- A. CONTRACTOR shall color videotape, with a ½-inch color VHS system, all areas during smoke testing. CONTRACTOR shall indicate on tape the address and location of damage and all recorded smoke discharges.
- B. Each sewer pipe system will have its own videotape. Videotapes shall be labeled with the following information:
 - 1. Sewer System Tested (street name and manhole to manhole numbers)
 - 2. Date Tested
 - 3. CONTRACTOR Name and representative
 - 4. OWNER's name and ENGINEER
- C. All tapes shall be rendered unable to be taped over after they are completed. ENGINEER and City Utility Inspector shall be present during smoke testing and approve all videotaping techniques. Taping shall be complete and to the satisfaction of the ENGINEER and City Utility Inspector.

3.4 FINAL REPORT

- A. CONTRACTOR shall supply a final report, containing the following information as a minimum:
 - 1. Dates of tests and locations by street names, manhole numbers, and division name in which smoke testing was performed.
 - 2. Locations of all suspected problems identified by the testing. These locations shall be referenced to the videotape using manhole number and customer address.
 - 3. Any incidents with customers, local and state agencies.

4. List of equipment used.

- B. CONTRACTOR shall supply three (3) originals of the final report. The final report shall be typewritten and bound in a professional manner.

3.5 MAINTENANCE OF TRAFFIC

- A. CONTRACTOR is responsible for all maintenance of traffic around work site. CONTRACTOR shall maintain traffic in accordance to all federal, state and local regulations. At no additional cost to OWNER, CONTRACTOR shall submit a Maintenance of Traffic Plan, for review and approval by applicable entity as necessary, prior to commencing work. CONTRACTOR shall also obtain all necessary permits prior to commencing work, at no additional cost to the OWNER.
- B. MOT shall also include construction and maintenance of any necessary detour facilities, furnishings, installing and maintaining of traffic control and safety devices during construction, control of dust, and any other special requirements for safe and expeditious movement of traffic around or through the work site.
- C. The CONTRACTOR shall be responsible for coordination with City sheriff's department, fire department, public service, school boards, and other affected agencies when roadways will be closed or traffic will be detoured. No detours or roadway closings shall be permitted unless specifically approved in writing by the OWNER or ENGINEER.

3.6 LIABILITY FOR SMOKE DAMAGES

- A. CONTRACTOR is responsible for any and all smoke damage and/or injury done during testing. CONTRACTOR shall provide damage and liability insurance per the Supplementary Conditions of the Contract. CONTRACTOR shall also indemnify and hold harmless the OWNER in the event of any smoke damage and/or any damage or injury related to or caused by the smoke testing.

END SECTION

SECTION 13510

PUMPING STATIONS

PART 1 GENERAL

1.1 SCOPE OF WORK

- A. This section includes the following items: wet wells, valve vaults, access covers, pumps, wet well equipment, valves, emergency bypasses, pump control panels, RTU, antenna subsystem, disconnects, electric meters, electric service, pump wiring, and lightning arrestors.
- B. Conform all pumping stations to the specifications (specifications included herein in Section 13510, Sections XXII through XXVIII, and other specifications in this manual, with Sections XXII through XXVIII superseding Section 13510 and other sections in case of conflict), Utilities Detail Drawings, and latest National Electrical Code (NEC) requirements.
- C. For systems eligible to be taken over by the CITY, provide enough room to operate and maintain all water and wastewater. If a master meter or a pumping station pump needs to be replaced, provide enough room for the CITY to readily remove the pump, and to do so without interfering with traffic. In order to be eligible for conveyance to the CITY, the pumping station easement area must be designed to 30'X30' (minimum), or twice the depth by twice the depth, whichever is larger.
- D. Schedule required CITY inspections of:
 - (1) pumping station installation prior to cover-up
 - (2) pumping station start-up.
 - (3) video of gravity connections
- E. Install all fencing around the pumping station in accordance with Section 02830.

PART 2 EQUIPMENT

2.1 MATERIALS

- A. Wet Well: The concrete structure shall consist of precast, reinforced sections conforming to ASTM C76 and/or ASTM C478. 8-foot diameter wet wells shall have a minimum wall thickness of 8 inches. Wall thickness for larger wet wells shall conform to ASTM standards for wall thickness, but shall not be less than 8 inches in any case. The minimum inside diameter for all wet wells eligible to be owned and maintained by City shall be 8 feet. As a deviation, a 6-foot diameter wet well can be utilized if the ENGINEER can demonstrate that the wet well is sufficient hydraulically and the developer can demonstrate that the pumping station shall be used for the perpetual and exclusive use of that particular

development. For pumping stations that will not be owned and maintained by City, the ENGINEER shall set the design specifications for the wet well, provided such design does not in any way endanger the health, safety and/or welfare of the public and/or maintenance personnel. Base riser section shall be monolithically cast with the base slab. All concrete shall utilize Type 2 cement and have a minimum compressive strength of 4000 psi at twenty eight (28) days. On new construction, if more than one hole is abandoned and required to be cemented in, provide a new wet well barrel section. Reinforcing steel for all wet well structures should be sized by the unit manufacturer and verified by the ENGINEER. All connections to the wet well for gravity sewer piping shall be equal to those for manholes as described in Section 02607. Factory double coat all exterior surfaces with an acceptable bituminous or epoxy sealer a minimum of 18 mils thick. Seal all riser joints utilizing Ram-Nek, Kent-Seal or other suitable bituminous or rubber sealing material. Reinforcement and top slab thickness shall be specified by the design ENGINEER for H-20 loadings in all cases. Minimum reinforced slab thickness shall be 8 inches. Typical standards for wet wells are available in the City Standard Details. The ENGINEER shall be responsible for designing all wet well structures to overcome buoyancy forces exerted on the installed structure. Coat all wet well interiors with an acceptable field applied IET or Sewpercoat coating in accordance with Section 02608.

- B. Valve Vault: Not typically allowed, however; where applicable: The valve vault shall be precast 4,000 psi or poured-in-place reinforced concrete, and be of one-piece (no joints) construction. Include sump in bottom of vault and Sch 80 PVC 2" drain line between valve vault and wet well with 2" Sch 80 PVC ball valve with 2" nut to operate valve in vault; the valve shall not be encased in concrete or obstructed in any way that would hinder replacement. Top of valve vault shall not exceed 6" above finished grade elevation. Coat all interior and exterior walls of vaults per Section 02608 using IET, Sewpercoat, or Koppers. Enclose within the vault walls all tees, elbows and fittings transitioning the pumping station discharge piping into the force main running from the station. Check valves and tees must be set on coated steel "U" pipe jack supports. Include emergency pump-out, which includes a 4" plug valve with a 4" aluminum Kamlock coupler with cap and chain installed as shown on drawing. Piping and fittings shall be in accordance with Section 02630 and be Class 53 ductile iron with flanges. Flanges shall be drilled to 125 pound ANSI Standard B-16.1 template; all piping shall be suitable for wastewater application. Vault interior sizing shall be adequate for maintenance and repair of all components within the vault. Contact the City Utility Engineer for the typical valve vault standards. All pipe connections through the valve vault walls shall be made equal to pipe connections for manholes as discussed in Section 02607. Start-up services shall be furnished by the Contractor to insure that installation and operation is in accordance with specifications. The valve vault valves shall be tested for proper installation and in strict accordance with equipment manufacturer's installation instructions. Improper adjustments or damage shall be corrected by Contractor prior to final acceptance at no additional cost to the Owner.

- C. Pumps: Sewage pumps shall be manufactured by Flygt, or equivalent as approved by the Engineer of Record and shall be of the submersible type suitable for operation in sewage of temperature not exceeding 115 degrees Fahrenheit and VFD compatible. The use of flooded suction type pumping systems for master pump stations may be considered on a case-by-case basis and must be approved by the City Utility Engineer prior to submittal of construction documents. Pump head curves and design specifications for each application proposed shall be submitted for review and approval within the ENGINEER's hydraulic design report. All pumps shall be three-phase unless approved by the City Engineer or designee.
- D. Access Covers: Access covers for pumping station wet wells and valve vaults shall be above the 100-year flood elevation unless the structure is located within a documented velocity and tidal flood zone, and elevation differentials prohibit such installation. In such cases, watertight access covers shall be utilized. The ENGINEER shall provide shop drawings of such access covers for review and approval by the City Engineer or designee prior to use. Access covers shall be constructed of diamond plate aluminum sheets and aluminum structural members. All access covers shall be attached to aluminum angle frames with stainless steel hinges and fasteners. Angle frames shall be firmly anchored into the top concrete slab of the structure. All access covers shall be equipped with a ratchet-type restraint mechanism to prevent accidental closing of the cover and torsion bar or spring assist type openers. Assist openers shall be manufactured of stainless steel. Covers located in non-traffic areas shall be designed for loadings of not less than 300 pounds per square foot. Access covers located in traffic or potential traffic areas shall be designed for H-20 loadings. If found to be acceptable by the City Engineer or designee, a system of 6 inch diameter concrete filled bollards may be substituted for the H-20 rated covers. A layout of such guard posts must be submitted to the City Engineer or designee for approval prior to installation.
- E. Wet Well Equipment: All pump discharge piping shall be HDPE welded pipe with stainless steel welded flange adapters at pump base and connection to check valve. All nuts, bolts, fasteners, brackets, pump guide rails and other hardware located inside the wet well shall be 304 stainless steel. A 4 inch minimum screened vent shall be provided on all wetwells (see Detail Drawings). Electrical systems and components (e.g. motors, lights, cables, conduits, switch boxes, control circuits, etc.) in raw wastewater wetwells, or in enclosed or partially enclosed spaces where hazardous concentrations of flammable gases or vapors may be present shall comply with the National Electrical Code (NEC) requirements for Class I Group D, Division 1 locations. Electrical equipment located in wet wells shall be suitable for use under corrosive conditions.
- F. Valves: Discharge piping for each pump shall be equipped with a check valve and resilient seat gate valve. A resilient seat gate valve, equipped with a camlock quick coupling, shall be provided to provide a means of emergency bypass access to the wastewater force main as required. Valves shall be supported with HD pipe supports (see Detail Drawings).

- G. Emergency Bypass: A 4-inch emergency bypass connection shall be provided down-stream from the in-line discharge piping valves. The connection shall be readily accessible, and be equipped with an isolation valve and 4 inch male Kamlock type quick coupling and cap.
- H. Pump Control Panel: Pump control panels shall be as shown in the Detail Drawings. Panel enclosure construction shall be equal to NEMA 3, 4, or 4X stainless steel or aluminum as required by location, with a 3-point latch door system. Panel door shall open away from wetwell and not towards wetwell hatch to ensure safety during maintenance of wetwell and panel. To ensure proper installation of Control Panel, contact the Utilities Department prior to rough-in or installation of Control Panel, for a pre-construction meeting with respective Wastewater Collections and Utilities Maintenance Personnel. Control panels shall be mounted on two 6 inch by 6 inch precast concrete posts. All mounting bars, nuts, bolts, etc. shall be 316 stainless steel. A 110/120 volt (110V) receptacle shall be provided inside the control panel for pump stations that have outdoor control panels. Ground fault interruption (GFI) protection shall be provided for all outdoor outlets.
- I. RTU: Provide a RTU, as manufactured by Data Flow Systems, Inc, that is 100% compatible with the existing DFS RTU/BASE System. At a minimum, the RTU shall include: A white powdered coated stainless steel enclosure; a radio module, power supply module, a back-up battery, a manufacturer's prefabricated wire harness, all manufacturer recommended surge protection, monitor module(s), control module(s), analog module(s) [minimum 4 in/2 out – 4-20mA], and other modules as required.
- J. Antenna Subsystem: Provide a high gain RTA 411 Yagi Antenna or approved equal; for use to transmit and receive TAC Pack TCU data to and from the CITY's existing TAC II SCADA server. Antenna shall utilize all welded-aluminum elements. Element connections utilizing nuts and bolts are not acceptable. Antenna shall have a single radiator element connected to a type N female connector. Antenna shall be supported on a mast/pole and have DC grounding for lightning protection. Antenna mounting hardware shall be made of stainless steel. Antenna shall meet or exceed the quality, reliability and performance of the RTA series as provided by Data Flow Systems, Inc. Antenna mast/pole shall be a 21foot by 1.25 inch SCH80 galvanized pole. Mounting of the antenna mast/pole shall be in accordance with all applicable local and state building codes as they pertain to structural strength and wind velocity requirements. Tower shall meet or exceed the quality and reliability of the AG20 manufactured by Rohn. Coaxial cable shall be RTC 400 as supplied by Data Flow Systems, Inc. Type N connectors shall be utilized at both ends of the coax. Type N connectors shall be sealed with 3 inch sections of Alpha FIT321-1-0 sealant shrink tubing. Coaxial cable shall be secured to the mast/pole with E.V.A.-coated 316 stainless steel cable ties. Cable ties shall meet or exceed the quality, reliability and performance of AE112 cable ties manufactured by Band-It. For pump stations to be conveyed to the City, a startup and successful testing of Data Flow telemetry equipment by Data Flow representatives and City Wastewater Maintenance instrumentation and

telemetry representatives is required prior to City acceptance. After initial startup, for pump stations to be conveyed to the City, the GPS coordinates of pump station shall be provided.

- K. Disconnect: A Fused disconnect shall be provided to isolate the pump control panel. Disconnect shall be installed on the service line between the electric meter and control panel and shall be lockable in the "ON" or "OFF" position. Disconnects shall be housed in a NEMA 3R, stainless steel enclosure or better.
- L. Electric Meter: The electric meter servicing the pumping station shall be located behind the pump control panel, and shall be located and wired so as to service only the pumping station facility.
- M. Electric Service: All underground electric services shall be fully conduited in 2-inch minimum diameter Schedule 80 PVC pipe from the power company source point to the pump control panel. The maximum length of the electric service from the power company transformer to the pump control panel shall be 100 feet. One spare conduit shall be provided and terminated with PVC caps in the meter. Only copper service wire shall be utilized. Sizing of the service wire shall be verified with the power company and the extent and location of the service shall be indicated on the record drawings. The CONTRACTOR shall certify that the voltage drop across the service does not exceed five percent (5%) of the power company's line voltage at full load start-up of the pumping station pumps. All pumping stations shall have minimum 100-amp service. All electrical components shall be located within the CITY right-of-way or City Utility Easement (CUE).
- N. Pump Wiring: Power wiring for each pump, from the control panel to the J-Box, then to the wet well shall be conduited in separate 2 inch diameter Schedule 80 PVC pipe and appropriately sized fittings as shown in Detail Sheet WW-15. A third parallel 2-inch PVC pipe conduit from the control panel to the J-Box, then to the wet well as shown in Detail Sheet WW-15. One 1" Schedule 80 PVC conduit shall be supplied from wet well to J-Box. All wire shall be stranded THHN or MTW copper wire. The pump motor cords shall be flexible and serviceable under conditions of extreme usage. Total of angle bends shall be 180 degrees or less. All conduits between wetwell and control panel shall not exceed a total of 180 degrees of bends per run. All service conduits shall be a minimum of 2" Schedule 80 PVC except where noted. The pump motor cords shall be flexible and provided with a strain-relief locking device in the J-Box to prevent damage from cord movement.
- O. Lightning Arrestors: All pumping stations shall be equipped with lightning arrestor(s). The lightning arrestor shall be manufactured by Square D and shall be installed externally on the load side of the disconnect, between the disconnect and the main breaker. The penetration through the disconnect must be made below the working mechanism of the disconnect. The lightning arrestor for three phase will be part number SDSA-3650 and for single phase will be part number SDSA-1175.

PART 3 EXECUTION - Not Used

END OF SECTION

SECTION 13511

TELEVISIONING AND INSPECTION OF GRAVITY SEWER SYSTEMS

PART 1 GENERAL

1.1 DESCRIPTION OF WORK

A. Work specified herein:

1. Furnish all labor, tools, test equipment and materials, including any and all permits required to televise, inspect, record, still photograph and document the gravity wastewater collection systems. Any defective work or necessary correction shown during TV inspections during construction must be corrected by the Contractor, at his expense, before the lines will be accepted by the City and placed into service. All corrective measures required and identified during warranty inspections must be accomplished by the Contractor, at his expense, before final release of the Performance Bond provided for the construction.

1.2 QUALITY ASSURANCE

- A. Utilize services of competent personnel in the field of TV/video inspection of wastewater collection systems.
- B. Schedule all work with ENGINEER.
- C. Equipment used shall be in good working order and provide continuous operation during TV/video recording inspection.
- D. DVD disks shall be of good visual quality capable of slow motion and pausing without significant reduction of visual quality.

1.3 SUBMITTALS

- A. Submit to the City Manager or designee a list of equipment and materials to be used on the project, including all permits obtained prior to commencing with the Work.
- B. Submit to the City Manager or designee a copy of all television inspection log sheets and DVD disks completed.

PART 2 MATERIALS

2.1 GENERAL

- A. Equipment used shall be designed for use in gravity wastewater collection systems. CONTRACTOR has the option of an Engineer of Record approved equal

device or other material than that which is specified. Submittals are required prior to commencement of work.

2.2 TELEVISION CAMERA

- A. Camera used shall be 360 degree COLOR RVC camera. Camera shall be operative in 100% relative humidity and be specifically designed for the environment. Camera shall have an integral lighting system capable of producing clearly focused, well-defined images of the entire periphery of the pipe. The quality of video picture and definition provided shall be to the satisfaction of the ENGINEER and, if unsatisfactory, equipment shall be removed and replaced with satisfactory equipment.

2.3 MONITOR

- A. A high resolution TV monitor screen shall be used. Quality of monitor shall be to the satisfaction of the City Manager or designee.

2.4 VIDEO EQUIPMENT

- A. Furnish recording equipment to provide a visual and audio recording of all areas in the pipe. Recording system at the site shall be capable of rewind, play back, slow motion and stop motion. The DVD shall be with an audio channel for clearly recording the camera locations and operator observations (cracks, leaks, service connections, etc.). The system shall continuously indicate distance, in feet, from manhole to manhole and the manhole-to-manhole run numbers on the video recording.

2.5 WINCHES

- A. Furnish variable speed powered remote controlled winches for upstream and downstream manhole locations to control two-way movement of the camera. If a self-propelled camera is used, winches are not necessary.

2.6 POWER SUPPLY

- A. Power supply shall be continuous. If night operations occur, supply all labor, power and lighting equipment for operations, traffic safety, permits, etc.

PART 3 EXECUTION

3.1 GENERAL

- A. All sanitary sewer gravity lines shall be televised at the CONTRACTOR's expense; and a recording of the subject mains provided prior to preliminary acceptance and at the 1-year warranty inspection by City Utilities. Televiewing may only occur after the stabilized subgrade has been installed and satisfactory density tests have been submitted to City Utilities. The sewer video inspection shall include rotating the camera lens to inspect the interior of each sewer lateral.

- B. Demonstrate the ability of the TV/video equipment (camera/light/disk/audio/ photograph system) to the satisfaction of the City Manager or designee. Distance meter shall be furnished on the video recording. Meter shall be checked using distances between manholes. Meter distances and actual distances shall be consistent.

3.2 TELEVISIONING/INSPECTION

- A. Inspection shall be done one manhole section at a time. Stop flow into the section being inspected prior to video inspection, unless otherwise approved in writing by the City Manager or designee.
- B. Locate video vehicle on upstream side of manhole. Record in the downstream direction such that camera movement is with the flow.
- C. Insert the camera in the upstream manhole after flow restrictions required have been accomplished. Flow into the system being inspected shall be stopped, with the exception of service laterals into the system being inspected. Move camera through the pipe lines at a moderate speed not exceeding 30 feet per minute. Stop camera at locations where one or more of the following conditions is observed:
 - 1. Infiltration/inflow sources.
 - 2. Service Laterals.
 - 3. Structural defects including broken pipe; collapsed or collapsing pipe, cracks, deterioration, punctures, etc.
 - 4. Abnormal joint conditions such as misalignments, open joints and joints not sealed.
 - 5. Unusual conditions such as root intrusion, protruding pipes, in-line pipe size changes, mineral deposits, grease and obstructions.
- D. Stop camera long enough for a thorough visual inspection of the conditions. All such conditions as specified above shall be audio recorded on disk and the inspection log sheet. Move the camera and rotate to obtain optimum view of the conditions. If requested by the City Manager or designee, view problem areas in the opposite direction by pulling the TV camera from the opposite direction at no additional cost to the CITY.
- E. While the camera is stopped at each service connection, rotate the camera so as to be able to view the service connection for a length of time that enables a good visual inspection of the service connection for damage and infiltration. Be responsible for measurements such as service lateral locations, if used for subsequent rehabilitation work.

- F. When, during the inspection operation, the television camera will not pass through the entire manhole-to-manhole section, set up equipment so that the inspection can be performed from the opposite manhole at no additional cost to the CITY.

3.3 DOCUMENTATION

- A. Furnish a detailed report and disks of the system inspected. The minimum information supplied shall be the following:
 - 1. Name and address of CONTRACTOR and the ENGINEER.
 - 2. Name of OWNER, system(s) inspected, and OWNER's representative involved.
 - 3. Log reports:
 - a. Log sheet for each section of pipe
 - b. Separate line for each deficiency and location
 - c. Corresponding disks and location of each section of pipe and deficiencies on disks.
 - 4. Disks shall be labeled with the following information:
 - a. System that is recorded (street name and manhole to manhole numbers) and log report number corresponding to disk.
 - b. Date video was recorded
 - c. CONTRACTOR's name and representative
 - d. OWNER's name
- B. All disks shall be rendered unable to be recorded over after they are completed.

3.4 MAINTENANCE OF TRAFFIC

- A. Be responsible for all maintenance of traffic around work site. CONTRACTOR shall maintain traffic in accordance to all federal, state and local regulations. At no additional cost to the CITY, submit a Maintenance of Traffic Plan, for review and approval by City Transportation as necessary, prior to commencing work. Obtain all necessary permits prior to commencing work, at no additional cost to the CITY.
- B. MOT shall also include construction and maintenance of any necessary detour facilities, furnishings, installing and maintaining of traffic control and safety devices during construction, control of dust, and any other special requirements for safe and expeditious movement of traffic around or through the work site.

- C. Be responsible for coordination with all affected agencies when roadways will be closed or traffic will be detoured. No detours or roadway closings shall be permitted unless specifically approved in writing by the City Manager or designee or ENGINEER.

END OF SECTION

SECTION 15100

WATER VALVES AND APPURTENANCES

PART 1 GENERAL

1.1 SCOPE OF WORK

- A. Furnish all labor, materials, equipment, and incidentals required and install complete and ready for operation all valves and appurtenances as shown on the Drawings and as specified herein.

1.2 REFERENCES

- A. Codes, specifications, and standards referred to by number or title form a part of this Section to the extent required by the references to codes, specifications, and standards. Latest revisions, as of the date of bid opening, apply, unless otherwise noted on the Drawings or specified in this Section.

B. Standards

<u>Designation</u>	<u>Title</u>
ANSI/AWWA C110	Standard for Ductile Iron and Gray Iron Fittings
ANSI/AWWA C111/A21.11	Rubber-Gasket Joints for Ductile-Iron and Gray-Iron Pressure Pipe and Fittings
ANSI/AWWA C500	Metal-Seated Gate Valves for Water Supply Service 3"-48", 200 psi working pressure 3"-12" size
ANSI/AWWA C509	Resilient-Seated Gate Valves 3" through 30" NPS, for Water and Sewage Systems, 200 psi working pressure 3"-12"
ANSI/AWWA C512	Air Release, Air/Vacuum, and Combination Air Valves for Waterworks Service
ANSI/AWWA C515	Reduced-Wall Resilient-Seated Gate Valves for Water Supply Service 3"-48", 200 psi working pressure for all sizes
ANSI/AWWA C800	Underground Service Line Valves and Fittings, ½"-2"
ANSI/B16.1	Cast/ductile Iron Pipe Flanges and Flanged Fittings, Class 125
ANSI/B16.3	Malleable Iron Threaded Fittings, Class 150 and 300

ANSI/B16.5	Pipe Flanges and Flanged Fittings, Steel Nickel Alloy and Other Special Alloys
ASTM A276	Specification for Stainless and Heat-Resisting Steel Bars and Shapes
ASTM A231	Specification for Steel Casting, Austenitic, for High-Temperature Service
ASTM A743	Specification for Castings, Iron-Chromium, Iron-Chromium-Nickel, and Nickel-Base Corrosion-Resistant for General Application
MSS SP-60	Connecting Flange Joint Between Tapping Sleeves and Tapping Valves

1.3 DEFINITIONS

- A. References to valve sizes on the Drawings and in the Specifications are intended to be nominal size, and shall be interpreted as nominal size.

1.4 SUBMITTALS

- A. General: as specified in:
 1. General Conditions;
 2. Supplementary General Conditions;

1.5 QUALITY ASSURANCE

- A. Testing: Test valves as specified in this Section.

PART 2 PRODUCTS

2.1 GENERAL:

- A. All valves and appurtenances shall be of the size shown on the Drawings and as far as possible all equipment of the same type shall be from one manufacturer.
- B. All valves and appurtenances shall have the name of the maker and the working pressure for which they are designed cast in raised letters upon some appropriate part of the body.

2.2 MANUFACTURERS

- A. Manufacturers for gate valves shall be U.S. Pipe, AVK, Clow, American Darling, Kennedy, Mueller, Tyler, or Ford .

2.3 DESIGN

A. Resilient-Seated Wedge or Gate Valves

1. Valves for pipe 2 inches (2") in diameter and smaller shall conform to the requirements of AWWA C800, C509 or C515 (latest revisions), and gate valves shall be cast/ductile iron, single wedge, non-rising stem, screwed bonnet, 125 pounds S.P., 200 pounds W.O.G with stuffing box repackable under pressure and all parts renewable. Ends shall be as shown or indicated on the drawings. Air release line valves, bacterial sampling station line valves and curb stops shall be Mueller or Ford. Corporation stops shall be Mueller, or Ford Brass Ball Valves. Valves shall open by turning to the left (counter-clockwise), when viewed from the stem.
2. Resilient-seated wedge, or gate valves larger than 2 inches (2") in diameter shall have a cast/ductile iron body, non-rising stem, and be bronze mounted gate valves, mechanical joint conforming to requirements of the AWWA Standard C509 or C515 and shall be provided with a 2 inch square operating nut with the word "open" and an arrow cast in the metal to indicate direction. Valves shall open by turning to the left (counter-clockwise), when viewed from the stem. Valves shall be resilient-seated wedge gate type and shall turn to the left (counter clockwise) to open. The wedge or gate shall be cast/ductile iron per ASTM A536, minimum 65,000-psi strength and, completely encapsulated with urethane rubber, permanently bonded to the wedge or gate to meet ASTM test for rubber metal bond, ASTM D429. The valve stems for non-rising stem assemblies shall be cast bronze with integral collars in full compliance with AWWA. OS & Y stems shall be on bronze bar stock. The NRS stem stuffing box shall be the O-ring seal type with two rings located above thrust collar; the two rings shall be replaceable with valve fully open and subjected to full rated working pressure. The minimum safe working pressure shall be 200 psi.
3. There shall be two low torque thrust bearings located above and below the stem collar. The stem nut shall be independent of wedge and shall be made of solid bronze. There shall be a smooth unobstructed waterway free of all pockets, cavities and depressions in the seat area. The body and bonnet shall be coated with fusion-bonded epoxy both interior and exterior. For aboveground service, the exterior ferrous parts of all valves shall be coated as follows: 1) prior to shipment from the factory, valves shall be shop painted with one coat, 1.5 mils dry film thickness, of a combination lead and chromate primer with rust-inhibitive pigments and synthetic resins; 2) following installation in the field, valves shall be painted with one coat, 1.5 mils dry film thickness, of a combination lead and chromate primer with rust-inhibitive pigments and synthetic resins; valves shall be finish painted with two coats, 1.4 mils dry film thickness each coat, of a medium to long oil alkyd resin coating; the color of the finish coats shall be in accordance with the piping color code in the painting schedule. Each valve, aboveground or below ground, shall have the manufacturers name, pressure rating and year manufactured cast on body. The valve shall be designed and tested to be

opened and closed under a hydrostatic pressure of at least twice the specified working pressure.

B. Valves for Buried Service and Valve Boxes

1. Valves for buried service shall meet all the requirements as specified herein for interior except that buried valves shall have mechanical joint ends. Place a Gate Box Aligner (valve box aligner) (order through USA Bluebook Stock #MC-75181) over the valve stem in order to help keep valve box aligned during backfilling. Extension stems shall be provided on all buried valves when operating nut is deeper than 4 feet below final grade.
2. All buried valves shall have cast/ductile-iron three-piece valve boxes, valve boxes shall be provided with suitable heavy bonnets to extend to such elevation at the finished grade surface as directed by the ENGINEER. The top section shall be set to allow equal movement above and below finished grade. The barrel shall be two-piece, screw type. The upper section shall have a flange at the bottom having sufficient bearing area to prevent settling, shall be designed so as to prevent the transmission of surface loads directly to the valve or piping, and shall be complete with cast/ductile iron covers. Covers shall have "WATER" cast into the top. The covers shall be so constructed as to prevent tipping, rocking, or rattling. The valve boxes shall be coated inside and outside with an asphaltic coating prior to machining, so that the machined seating surfaces will be free of any coating. All valve boxes located in major paved roadways shall have locking covers. Valve boxes shall be Dewey Brothers VBX-TE 100 (6-5/16 inch cover), Tyler/Union Model 461, Clow Corp. F-2450, or Engineer of Record approved equal.
3. Where valves are located out of pavement, the boxes shall be adjusted to finished grade with a concrete collar as shown in the Details.
4. Valve boxes shall be of the heavy duty, traffic bearing cast/ductile iron, adjustable screw type with a drop cover. The valve box assembly shall consist of a bottom section, top section and cover which is cast from gray iron, formulated to ASTM specification A-48 latest revision, minimum tensile of 21,000 psi and shall be free from blowholes, shrinkage or other imperfections not true to pattern. The shaft size shall be 5 1/4" and the adjustable length shall be from 18" to 36". The wall thickness shall be 1/4". The weight of the assembly shall be 61 pounds \pm 2 pounds, with the cover weight being a minimum of 13 pounds.
5. The name of the manufacturer and foundry of origin shall be cast into each of the components of the assembly in legible form. The assembly shall be suitable for highway traffic wheel loads of 16,000 pounds and shall withstand a proof load test of 25,000 pounds without failure or permanent deflection.

6. Valve box cover shall be painted Federal Safety blue for “water,” white for “raw water,” and purple for “reclaimed water.” See Detail Drawing for word to cast into cover (eg. “Water” for potable water mains).

C. Check Valves (Sewer/Water/Reuse)

1. All swing check valve bodies shall be Val-Matic Series 500 with back flow activator or APCO Series 100 rubber flapper swing checks.
2. Valve exterior to be painted with Red Oxide Phenolic Primer. Materials shall be certified to the following ASTM specifications:

Body, cover, disc	Ductile Iron or approved shop drawing	ASTM A126, Class B
Disc	Buna-N (NBR)	ASTM D2000 – BG
Disc Seat	Buna-N or metal	
Cushion cylinder	Corrosion-resistant material	Commercial

3. Swing check valves shall have a shaft of single and continuous stainless steel, extending both sides of the body with a lever and weight. The air cushion cylinder, when specifically required, shall be constructed of corrosion resistant material and the piston shall be totally enclosed within the cylinder and not open at one end. The air cushion cylinder assembly shall be externally attached to either or both sides of the valve body and shall permit adjustability to cushion the closure of the valve. Cushioning shall be by air trapped in the cushion cylinder, which shall be fitted with a one-way adjustable control check valve to cushion disc contact to the seat at the shut-off point. The bottom cylinder head shall be swivel mounted and not rigid to follow the change of force angles as the lever raises or lowers to open or close the check valve. Valve shall prevent backflow on normal pump shut off or power failure, at zero velocity and be watertight. The disc shall be cast/ductile iron utilizing a double clevice hinge connected to a ductile iron disc arm. The disc arm assembly shall be suspended from a stainless steel shaft, which passes through a seal retainer on both sides of the valve body.
4. Rubber flapper swing valves shall have a heavily constructed cast/ductile iron body and cover. The body shall be long pattern design (not wafer) with integrally cast-on end flanges. The flapper shall be Buna-N having an O-ring seating edge and be internally reinforced with steel. Flapper shall be captured between the body and the body cover in a manner to permit the flapper to flex from closed to full open position. Flapper shall be easily removed without the need to remove the valve from line. The check valves shall have full pipe size flow area. Seating surface to be on a 45° angle requiring the flapper to travel only 35° from closed to full open position for minimum head loss. Valve has non-slam closure characteristics. Flapper shall create an elastic spring effect to assist the flapper to close against a slight head to prevent or minimize slamming. Valve shall be designed for

175 psi working pressure for water. The valve shall be suitable for buried service, in which case, stainless cover bolts shall be furnished.

5. Valve exterior to be painted with Red Oxide Phenolic Primer Paint as accepted by the FDA for use in contact with Potable Water.

D. Backflow Prevention Devices

1. Backflow prevention devices shall be reduced pressure principle assemblies or double check assemblies and shall be USC approved, and shall meet all requirements of County Ordinance 97-33. Refer to Detail Drawings.

E. Air Release Valves

1. Air Release Valves shall be Val-Matic Model 100-200 or Engineer of Record approved equal.
2. Air Release Valves shall be float operated and both the air/vacuum and air release functions shall be performed by a combination valve housed in a single body.
3. The valve shall automatically exhaust large quantities of air during the filling of the pipeline. The valve shall be capable of venting air up to sonic velocity without blowing shut, closing only after all the air has been vented. The air release port shall automatically release small pockets of air from the pipeline while the pipeline is in operation and under pressure, to keep the system free of accumulated air. The valve shall automatically open to allow air to re-enter during draining or whenever a negative pressure occurs.
4. Combination air valves shall be of the size shown on the plans and conform to the requirements of AWWA C512 and be of the "kinetic" design capable of exhausting air at up to sonic velocity without blowing shut.
5. The air release valve shall have a maximum working pressure of 300 psi, unless otherwise indicated on the drawings, and shall have been tested at a pressure not less than 300 psi.
6. Body, cover, and baffle shall be ASTM A126 Class B cast/ductile iron with stainless steel floats and replaceable seats of Buna-N or other suitable material. Plastic or bronze components are not acceptable. Screens shall be installed on the opening of all air release valves.
7. Valves 3-inch size and smaller shall have a threaded inlet connection, and valves over 3 inches shall have a flanged inlet faced and drilled per ANSIB16.1 Class 250. Valves shall have a threaded outlet on valves to 4 inch size and a protective cowl on larger sizes. Connections from corporation stops to air release valves shall be brass for rigidity.
8. Air release valves shall be Val-Matic Series 100-200 or Engineer of Record approved equal.

9. One-inch (1") NPT inlet and outlet shall be provided, unless otherwise specified on the drawings.

F. Tapping Valves and Sleeves

1. All tapping sleeve assemblies (for 3" or larger service lines) shall meet the requirements of AWWA Standards C110, latest revision. Cast/ductile iron tapping sleeves or stainless steel wrap-around sleeves, and cast/ductile iron valves shall be used to make live taps into the existing water mains where shown on the drawings. Sleeve bodies must be of stainless steel. The flanges must conform to AWWA C207 Class D ANSI 150# drilling. All bolts and nuts shall be as specified. Tapping sleeves shall be as manufactured by Mueller, American Valve and Hydrant, Kennedy Valve, or Engineer of Record approved equal.
2. CONTRACTOR shall verify type of existing main prior to ordering. The tapping valve shall have an inlet flange to match the sleeve and a mechanical joint outlet for connection to water main pipe. Tapping valve shall meet the requirements for valves specified in this manual. The sleeve shall have provisions for a tap and shall be pressure tested at 150 psi for a minimum of 30 minutes prior to tapping. After installation, wrap sleeve and valve with vinyl before pouring support and thrust block.

G. Service Connection Materials

1. Service Saddles

- a. Service saddles or fittings shall be used with taps to all types of pipe. Gasket shall be cemented in place and confined in a retaining groove. Saddles shall be cast/ductile iron or stainless steel saddles with double brass straps.
- b. Tapping sleeves and valves shall be used for all taps, with tap being performed at least 3' from AC pipe couplings and PVC joints.
- c. Service saddles shall be Smith-Blair, Ford, Rockwell, or Engineer of Record approved equal, with AWWA threaded corporation stop connections.

2. Water Meters

- a. Potable Water Meters: Potable water meters provided for service connections to the CITY water distribution system shall be designed to accept an encoder compatible with the CITY Automatic Meter Reading (AMR) system. The CITY will install the meter and the AMR encoder unit on 2" and smaller meters; the meter box cover shall be set ½" to 1" above finished grade in unpaved areas, and flush to grade in paved

areas; meter box shall be concrete box with cast or ductile iron lid in paved areas that are traffic bearing or in unpaved areas that are next to alleys; meter box shall be concrete with concrete lid in sidewalks. All meters 3" and larger shall be purchased by the owner and installed by the contractor, with the CITY or contractor installing the AMR. All potable water meters larger than 2" shall be installed above ground and shall be equipped with a backflow preventer installed by the CONTRACTOR at his expense. The type of backflow device utilized for potable lines shall be as shown in the Detail Drawings. The master meter assemblies shall be built in accordance with the Detail Drawings. The location of all meters shall be clearly shown on the construction plans.

- b. Non-Potable Irrigation Water Meters: Non-potable water meters provided for service connections to the CITY non-potable reclaimed distribution system shall have a purple cover and be stamped "Reclaimed", and be designed to accept an encoder compatible with the CITY Automatic Meter Reading (AMR) system. The CITY will install the meter and the AMR encoder unit on 2" and smaller meters. All meters 3" and larger shall be purchased by the owner and installed by the contractor, with the CITY or contractor installing the AMR. Master meter assemblies shall be built in accordance with the design details in the Detail Drawings. The locations of all meters shall be clearly shown on the construction plans.

3. Corporation Stops for Service Connections

- a. Corporation stops shall meet the requirements of AWWA C800, and shall be Mueller, Ford, or City approved equal; with the 1" being CC and the 2" being IPS, and ends AWWA thread x compression, and both being CTS.

4. Water Service Tubing

- a. Water service connection tubing shall be blue polyethylene municipal service tubing as shown on the Detail Drawings. Color of tubing for reclaimed water shall be purple.
- b. Polyethylene tubing shall meet the requirements of AWWA Standard C901. Polyethylene tubing shall be PE 3408 polyethylene, SDR 9 Class 200.

PART 3 EXECUTION

3.1 INSTALLATION

- A. Install all valves and appurtenances in accordance with manufacturer's instructions and in the locations shown, true to alignment and rigidly and properly supported. Repair any damage to the above items to the satisfaction of the

ENGINEER before they are installed. Following installation of aboveground valves, touch-up nicks and scratches of exterior painted surfaces with the same finish coating as specified herein.

- B. After installation, test all valves and appurtenances for at least one hour at the working pressure corresponding to the class of pipe, unless a different test pressure is specified. If any joint proves to be defective, repair it to the satisfaction of the ENGINEER.
- C. Install all floor boxes, brackets, extension rods, guides, the various types of operators and appurtenances as shown on the Drawings that are in masonry floors or walls, and install concrete inserts for hangers and supports as soon as forms are erected and before concrete is poured. Before setting these items, check all plans and figures, which have a direct bearing on their location and assure the proper location of these valves and appurtenances during the construction of the structures.
- D. Flanged joints shall be made with Series 300, stainless steel bolts. All exposed bolts shall be made with Series 300 stainless steel bolts.
- E. Prior to assembly of split couplings, thoroughly clean the grooves as well as other parts. The ends of the pipes and outside of the gaskets shall be moderately coated with petroleum jelly, cup grease, soft soap or graphite paste, and the gasket shall be slipped over one pipe end. After the other pipe has been brought to the correct position, center the gasket properly over the pipe ends with the lips against the pipes. The housing sections then shall be placed. After the bolts have been inserted, tighten the nuts until the housing sections are firmly in contact, metal-to-metal, without excessive bolt tension.
- F. Prior to the installation of sleeve-type couplings, thoroughly clean the pipe ends for a distance of 8". Soapy water may be used as a gasket lubricant. A follower and gasket, in that order, shall be slipped over each pipe to a distance of about 6" from the end, and the middle ring shall be placed on the already laid pipe end until it is properly centered over the joint. Insert the other pipe end into the middle ring and bring to proper position in relation to the pipe already laid. The gaskets and followers shall then be pressed evenly and firmly into the middle ring flaires. After the bolts have been inserted and all nuts have been made up finger-tight, uniformly tighten diametrically opposite nuts progressively all around the joint, preferably by use of a torque wrench of the appropriate size and torque for the bolts.
- G. Carefully inspect each valve, open it wide and then tightly close it and test the various nuts and bolts for tightness. Special care shall be taken to prevent any foreign matter from becoming lodged in the valve seat. Gate valves, unless shown otherwise, shall be set with their stems vertically above the centerline of the pipe. Remove and replace any valve that does not operate correctly.
- H. Place a Gate Box Aligner (valve box aligner) (order through USA Bluebook Stock #MC-75181) over the valve stem in order to help keep valve box aligned during backfilling. Carefully center valve boxes over the operating nuts of the

valves so as to permit a valve wrench or key to be fitted easily to the operating nut. Valve boxes shall be set to conform to the level of the finished surface and held in position by a ring of concrete placed under the support flange as shown in Section 3, Utility Detail Drawings. The valve box shall not transmit surface loads to the pipe or valve. Exercise care to prevent earth and other material from entering the valve box. Any valve box which is out of alignment or whose top does not conform to the finished ground surface shall be dug and reset. Before final acceptance of the work, adjust all valve boxes to finish grade. Valve extension stems or risers shall not be used.

3.2 SHOP PAINTING

- A. Ferrous surfaces of valves and appurtenances shall receive a coating of epoxy in accordance with AWWA Standard C550 and meets or exceeds all test requirements including the Food and Drug Administration Document Title 21 of the Federal Regulations on Food Additives, Section 175.000 entitled "Resinous and Polymeric Coating"; Impact Test Requirement in accordance with the ASTM D2794.

END OF SECTION

SECTION 15110

WASTEWATER VALVES AND APPURTENANCES

PART 1 GENERAL

1.1 SCOPE OF WORK

- A. Furnish all labor, materials, equipment and incidentals required and install complete and ready for operation all valves and appurtenances as shown on the Drawings and as specified herein.
- B. The equipment shall include, but not be limited to, the following:
 - 1. Eccentric Plug Valves
 - 2. Check Valves
 - 3. Vacuum Breakers
 - 4. Air Release Valves
 - 5. Flange Adapter Couplings
 - 6. Flexible Couplings
 - 7. Diaphragm Seals
 - 8. Unions
 - 9. Mechanical Type Seals
 - 10. Hose End Faucets
 - 11. Pressure Gauges
 - 12. Reduced Pressure Backflow Preventor
 - 13. Flow Meters

1.2 DESCRIPTION OF SYSTEMS

- A. All of the equipment and materials specified herein are intended to be standard for use in controlling the flow of wastewater and reclaimed water.

1.3 QUALIFICATIONS

- A. All of the types of valves and appurtenances shall be products of well-established reputable firms who are fully experienced, reputable and qualified in the manufacture of the particular equipment to be furnished. The equipment shall be designed, constructed and installed in accordance with the best practices and methods and shall comply with these specifications as applicable.

1.4 SUBMITTALS

- A. Submit within 30 days after execution of the contract a list of materials to be furnished, the names of the suppliers and the date of delivery of materials to the site.
- B. Complete shop drawings of all valves and appurtenances shall be submitted to the ENGINEER for approval in accordance with the requirements of Section 01340 and the General Conditions.

1.5 TOOLS

- A. Special tools, if required for normal operation and maintenance shall be supplied with the equipment.

PART 2 PRODUCTS

2.1 GENERAL

- A. All valves and appurtenances shall be of the size shown on the Drawings and as far as possible all equipment of the same type shall be from one manufacturer.
- B. All valves and appurtenances shall have the name of the maker and the working pressure for which they are designed cast in raised letters upon some appropriate part of the body.
- C. All gate, check and air release valves shall be American made, cast, and assembled.

2.2 DESIGN

- A. Gate Valves – 3” through 30”
 - 1. Gate valves shall conform to the latest revision of AWWA Standard C509 – “Resilient-Seated Gate Valves 3 Inches through 30 Inches NPS for Water and Sewer Systems.”
 - 2. The valves shall be ductile iron body with non-rising stem (NRS) opening by turning stem counterclockwise and provided with two-inches (2”) square operating nut with the word “Open” and an “Arrow” cast/ductile in the metal to indicate direction to open. Valve nuts shall be no more than 30” underground.

3. The wedge shall be of cast/ductile iron completely encapsulated with urethane rubber. The urethane sealing rubber shall be permanently bonded to the cast/ductile iron wedge to meet ASTM tests for rubber metal bond ASTM D429.
4. Stems for NRS assemblies shall be cast/ductile bronze with integral collars in full compliance with AWWA. OS&Y stems shall be on bronze bar stock. The NRS stem stuffing box shall be the O-ring seal type with two (2) rings located above thrust collar; the two (2) rings shall be replaceable with valve fully open and subjected to full rated working pressure. The design and machining of valves shall be such as to permit the replacement of O-ring(s) without undue leakage while the valves are wide open and in service.
5. All valves shall have a safe working pressure of 200 psi.
6. There shall be two (2) low torque thrust bearings located above and below the stem collar. The stem nut shall be independent of the wedge and shall be made of solid bronze. There shall be a smooth unobstructed waterway free of all pockets, cavities, and depressions in the seat area.
7. The body and bonnet shall be coated with fusion bonded epoxy both interior and exterior. Each valve shall have a maker's name, pressure rating, and year in which manufactured cast/ductile on the body. Prior to shipment from factory, each valve shall be tested by hydrostatic pressure equal to twice the specified working pressure. Valves with prior year manufacture dates shall not be used.
8. Gate valves shall be U.S. Pipe, Tyler, or Engineer of Record approved equal.

B. Eccentric Plug Valves

1. Plug valves shall be as manufactured by DeZurik, Milliken, Valmatic or Engineer of Record approved equal.
2. Plug valves shall be tested in accordance with AWWA C504 Section 5. Each valve shall be performance tested in accordance with AWWA C504 Section 5.2 and shall be given a leakage test and hydrostatic test as described in AWWA C504 Paragraphs 5.3 and 5.4. The leakage test shall be applied to the face of the plug tending to unseat the valve. The Manufacturer shall furnish certified copies of reports covering proof of design testing as described in AWWA C504 Section 5.5.
3. Plug valves shall be of the tight closing, resilient faced, non-lubricating variety and shall be of eccentric design such that the valve's pressure member (plug) rises off the body seat contact area immediately upon shaft rotation during the opening movement. Valve pressure ratings shall be as follows and shall be established by hydrostatic tests as specified by ANSI B16.1-1967. Valves shall be drip-tight in both directions (bi-directional) at rated pressure of 175 psi through 12-inch diameter, and 150 psi for 14-inch diameter and above. The valve shall be provided with a 2-inch square operating nut.

4. The valve body shall be constructed of cast iron ASTM A126, Class B. Body ends shall be mechanical joint to meet the requirements of AWWA C111/ANSI A21.11 or single gasket push-on type.
5. The valve plug shall be constructed of cast iron or ductile iron and shall have a conical seating surface that is eccentrically offset from the center of the plug shafts. The plug and shafts shall be integral. The entire plug face shall be totally encapsulated with Buna N (Nitrile) rubber in all valve sizes. The rubber to metal bond must withstand 75 lbs. pull under test procedure ASTM D-429-73, Method B. When the plug is in full open position, plug geometry and body waterway contours must provide a passageway that allows flow capacity equal to 100% of the adjacent pipe area.
6. Valve seat mating surface shall be constructed of a welded-in overlay of not less than 90% nickel or be a one-piece 304 stainless steel ring. Seat ring contour must be precision machined.
7. A mechanical "brake" shall be supplied on all valves and shall be capable of "locking" the valve in any intermediate position between full-open and full-closed.
8. Valves shall have multiple V-type packing and packing glands and shall be capable of being field adjusted or repacked without the bonnet or plug being removed from the valve with the valve under the full rated pressure. Valves shall have a port position indicator.
9. For corrosion protection, the interior ferrous surfaces of all plug valves shall have a 2-part epoxy internal coating to a minimum of 20 mils thickness. All exterior ferrous surfaces of valve shall be coated at the factory with a thermally bonded epoxy coating in accordance with AWWA C550.
10. Valve shaft seals shall be adjustable and comply with AWWA C507 Section 10 and with AWWA C507 Section 11.
11. Manual valves shall have lever or gear actuators and tee wrenches, extension stems, floorstands, etc. as indicated on the plans. All valves 6" and larger shall be equipped with gear actuators. All gearing shall be enclosed in a semi-steel housing and be suitable for running in a lubricant with seals provided on all shafts to prevent entry of dirt and water into the actuator. All actuator shafts shall be supported on permanently lubricated bronze bearings. Actuators shall clearly indicate valve position and an adjustable stop shall be provided to set closing torque. All adjustable stop shall be provided to set closing torque. All exposed nuts, bolts, and washers shall be zinc or cadmium plated. Valve packing adjustment shall be accessible without disassembly of the actuator.
12. Valves and gear actuators for submerged service shall have seals on all shafts and gaskets on the valve and actuator covers to prevent entry of water. Actuator mounting brackets for buried or submerged service shall be totally

enclosed and shall have gasket seals. All exposed nuts, bolts, springs and washers shall be stainless steel.

13. Three-way plug valves shall be non-lubricated gear oriented. Valve bodies shall be ASTM A-126 Class, and be semi-steel with 125 lb. ANSI standard flanges. Plugs shall be resilient faced. Three-way valves shall be 3-way, 3-port 270-degree turn.
14. Plug valves installed such that actuators are 6 feet or more above the floor shall have chain wheels.
15. Where shown on the Drawings, plug valves shall be installed with extended shafts and actuators. Actuators for extended shafts shall be mounted on floor stands where indicated on the drawings or shall be removable handwheels where floor stands are not called for. Six-inch sleeves shall be provided for extended shafts in all floors; where necessary covers shall be provided. Shafts shall be of adequate strength to operate the valve and shall be 304 stainless steel where submerged and carbon steel elsewhere. Floor stands and covers, where called for shall be cast iron. Floor stands shall be equipped with valve position indicators. Where shown on the drawings, plug valves shall be furnished with extended bonnets, equal to DeZurik Figure 640.
16. All buried plug valves shall have a remote position indicator in the valve box showing position of the valve. A stainless steel centering and I.D. plate shall be provided showing direction of opening and number of turns to open for each valve.

C. Valves for Buried Service

1. Valves for buried service shall meet all the requirements as specified herein for interior except that buried valves shall have mechanical joint ends. Place a Gate Box Aligner (valve box aligner) (order through USA Bluebook Stock #MC-75181) over the valve stem in order to help keep valve box aligned during backfilling.
2. All buried valves shall have cast/ductile-iron three-piece valve boxes, valve boxes shall be provided with suitable heavy bonnets to extend to such elevation at the finished grade surface as directed by the ENGINEER. The barrel shall be two-piece, screw type. The upper section shall have a flange at the bottom having sufficient bearing area to prevent settling, shall be designed so as to prevent the transmission of surface loads directly to the valve or piping, and shall be complete with cast/ductile iron covers. Covers shall have "SEWER" cast into the top. The covers shall be so constructed as to prevent tipping or rattling. All valve boxes located in major paved roadways or sidewalks shall have locking covers. Valve boxes shall be Dewey Brothers VBX-TE 100 (6-5/16 inch cover), Tyler/Union Model 461, or Engineer of Record approved equal.

3. Where valves are located out of pavement, the boxes shall be adjusted to finished grade with a concrete collar as shown in the Details.
4. Valve boxes shall be of the heavy duty, traffic bearing cast/ductile iron, adjustable screw type with a drop cover. The valve box assembly shall consist of a bottom section, top section and cover which is cast from gray iron, formulated to ASTM specification A-48 latest revision, minimum tensile of 21,000 psi and shall be free from blowholes, shrinkage or other imperfections not true to pattern. The shaft size shall be 5 1/4" and the adjustable length shall be from 18" to 36". The wall thickness shall be 1/4". The weight of the assembly shall be 61 pounds \pm 2 pounds, with the cover weight being a minimum of 13 pounds.
5. The name of the manufacturer and foundry of origin shall be cast into each of the components of the assembly in legible form. The assembly shall be suitable for highway traffic wheel loads of 16,000 pounds and shall withstand a proof load test of 25,000 pounds without failure or permanent deflection. The valve box shall be cast, machined, assembled, and packaged within the United States and shall fully comply with the Buy American provisions of Public Law 102-240, enacted 12/18/91.
6. Valve box cover shall be painted green for "sewer" and the word "SEWER" cast into it, and painted purple for "reclaimed water" with the word "REUSE" cast into it.

D. Check Valves

1. All swing check valve bodies shall be Val-Matic Series 500 with back flow activator or APCO Series 100 rubber flapper swing checks.
2. All check valve bodies shall be cast/ductile iron per ASTM A126 Class B, having integral (not Wafer) flanges.
3. The seat shall be centrifugally cast bronze with an O-ring seal and be locked in place with stainless steel lock screws and be field replaceable, without the use of special tools.
4. The shaft shall be single and continuous stainless steel, extending both sides of the body with a lever and weight.
5. The air cushion cylinder, when specifically required, shall be constructed of corrosion-resistant material and the piston shall be totally enclosed within the cylinder and not open at one end. The air cushion cylinder assembly shall be externally attached to either or both sides of the valve body and will permit adjustability to cushion the closure of the valve. Cushioning shall be by air trapped in the cushion cylinder, which shall be fitted with a one-way adjustable control check valve to cushion disc contact to the seat at the shut-off point. The bottom cylinder head shall be swivel mounted and not rigid to follow the change of force angles as the lever raises or lowers to open or close the check valve.

Valve shall prevent backflow on normal pump shut-off or power failure, at zero velocity, and be watertight.

6. The disc shall be cast/ductile iron utilizing a double clevice hinge connected to a ductile iron disc arm. The disc arm assembly shall be suspended from a stainless steel shaft, which passes through a seal retainer on both sides of the valve body.
7. Valve exterior to be painted with Red Oxide Phenolic Primer Paint as accepted by the FDA for use in contact with Potable Water. Materials shall be certified to the following ASTM specifications:
 - a. Body, cover & disc - Cast/ductile Iron - ASTM A126, Class B
 - b. Disc Arm - Ductile Iron - ASTM A536
 - c. Seat - Aluminum Bronze or Stainless Steel - ASTM B148, ASTM A276
 - d. Disc Seat - Buna-N or metal
 - e. Cushion cylinder - Corrosion-resistant Commercial material
8. For corrosion protection, the interior ferrous surfaces of all check valves used in sewage applications shall be coated with a factory applied, two-part epoxy coating to a minimum of 20 mils thick.

E. Automatic Air Release Valves for Wastewater Systems

1. All force mains shall have automatic air release valves installed as they are indicated on the plans within a pedestal housing.
2. Air release valves shall be of the single housing style that combines the operation features of both an air-vacuum and air-release valve.
3. The air/vacuum valve shall automatically exhaust large quantities of air during the filling of the pipeline and automatically allow air to re-enter the pipeline when the internal pressure of the pipeline approaches a negative value due to column separation, draining of the pipeline, or other event. The air release port shall automatically release small pockets of air from the pipeline while the pipeline is in operation and under pressure.
4. The air release valve shall have a maximum working pressure between 150 and 225 psi, unless otherwise indicated on the drawings, and shall have been tested at a pressure not less than 300 psi.
5. Two-inch (2") NPT inlet and one half inch (1/2") outlet shall be provided unless otherwise noted on the drawings.

6. All automatic air release valves shall be ARI D-025 or Engineer of Record approved equal. Valve tests shall be performed with and be part of tests on companion wastewater force main.

F. Flange Adapter Couplings

1. Flange adapter couplings shall be of the size and pressure rating required for each installation and shall be suitable for use on either cast iron or ductile iron pipe. They shall be similar or equal to Dresser Company, Style 128. All couplings shall have a sufficient number of factory installed anchor studs to meet or exceed the test pressure rating for this project, 100-psi minimum.

G. Flexible Couplings:

1. Flexible couplings shall be either the split type or the sleeve type as shown on the Drawings.
 - a. Split type coupling shall be either the split type or the sleeve type as shown on the Drawings. The couplings shall be mechanical type for radius groove piping. The couplings shall mechanically engage and lock grooved pipe ends in a positive coupling and allow for angular deflection and contraction and expansion.
 - b. Couplings shall consist of malleable iron, ASTM Specification A47, Grade 32510 housing clamps in two or more parts, a single chlorinated butyl composition sealing gasket with a "C" shaped cross-section and internal sealing lips projecting diagonally inward, and two or more oval track head type bolts with hexagonal heavy nuts conforming to ASTM Specification A183 and A194 to assemble the housing clamps. Bolts and nuts shall be Series 300 stainless steel.
 - c. Victaulic type couplings and fittings may be used in lieu of flanged joints. Pipes shall be radius grooved as specified for use with the Victaulic couplings. Flanged adapter connections at fittings, valves, and equipment shall be Victaulic Vic Flange Style 741, equal by Gustin-Bacon Group, Division of Certain-Teed Products, Kansas City, Kansas, or equal.
 - d. Sleeve type couplings shall be used with all buried piping. The couplings shall be of steel and shall be Dresser Style 38, Smith Blair Style 413, Baker Allsteel, or equal. The coupling shall be provided with stainless steel bolts and nuts unless indicated otherwise.
 - e. All couplings shall be furnished with the pipe stop removed.
 - f. Couplings shall be provided with gaskets of a composition suitable for exposure to the liquid within the pipe.

- g. If the CONTRACTOR decides to use victaulic couplings in lieu of flanged joints, he shall be responsible for supplying supports for the joints.

H. Diaphragm Seals:

1. Diaphragm seals shall be installed on pressure gauge connection to all lines where shown on the Drawings, to protect pressure switches used to monitor excessive pressures on pipe lines. The diaphragm shall be "thread attached" to both piping and pressure switches. Diaphragm seals shall be constructed of cadmium plated carbon steel, except for the lower housing which shall be specifically chosen according to the fluid pressure being monitored.
2. Diaphragm seals shall have a flushing connection and be Type SB Mansfield and Green; No. 877 Trerice; Ashcroft; or equal.

I. Unions

1. Unions on ferrous pipe 2" in diameter and smaller shall be 150 pounds malleable iron, zinc-coated. Unions on water piping 2 1/2" in diameter and larger shall be flange pattern, 125 pound class, zinc-coated. Gaskets for flanged unions shall be of the best quality fiber, plastic, or leather. Unions shall not be concealed in walls, ceilings, or partitions.

J. Mechanical Type Seals

1. Mechanical type seals shall consist of an adjustable modular bolted, synthetic rubber and plastic sealing element. The sealing element shall be Link-Seal LS-300-C as manufactured by Thunderline Corp., Inkster, Michigan or City approved equal.

K. Hose End Faucets

1. Hose end faucets for potable water supply at submersible stations shall be Zurn Model Z-1385. Faucet shall be furnished with removable key and shall be lockable.

L. Pressure Gauges

1. Each pressure gauge shall be direct mounted, cast aluminum case, with a 4 1/2" diameter dial and furnished with a clear glass crystal window, 3/8" shut-off valve, and a bronze pressure snubber. Provide diaphragm seals between shut-off valve and pressure gauge on all sludge and lines with nonclear matter in suspension of solution. All gauges shall be weatherproofed. The face dial shall be white finished aluminum with jet black graduations and figures. The face dial shall indicate the units of pressure being measured (e.g., feet, inches, etc.) or be dual scale.

2. If shown on the drawings, each pump discharge line shall be furnished with gauges sized 0-100 psi.
- M. Reduce Pressure Backflow Preventer
1. If shown on the drawings, backflow preventers shall be supplied at each pump station, and installed in accordance with the Collier City Standard Details.
- N. Flow Meters for Master Pumping Stations
1. Meters shall be of the magnetic type with Teflon lining, stainless steel electrodes and ultrasonic cleaning, or the universal venturi type with flanged cast/ductile iron body and bronze throat. Flow meters shall be designed to record both the peak pumping station capacity and anticipated minimum flows with equally high accuracy. The meters shall be direct reading in gallons per minute, totalizing in million gallons per day and recording on 12-inch diameter, 24-hour linear charts in gallons per minute. All meters shall also be tied to the Radio Telemetry SCADA System. The flow metering system shall be installed within the pumping station structure, if space is available, or in an exterior protected and drained pit. In all cases, meter by-pass valves and piping shall be provided.
 2. Flow meters shall be supplied for "Master Lift Stations" only.

PART 3 EXECUTION

3.1 INSTALLATION

- A. Install all valves and appurtenances in the locations shown, true to alignment and rigidly and properly supported. Repair any damage to the above items to the satisfaction of the ENGINEER before they are installed.
- B. Carefully inspect each valve, open it wide and then tightly close it, and test the various nuts and bolts for tightness. Take special care to prevent any foreign matter from becoming lodged in the valve seat. Valves, unless shown otherwise shall be set with their operator shaft vertically. Repair and replace any valve that does not operate correctly.
- C. Carefully center valve boxes over the operating nuts of the valves so as to permit a valve wrench or key to be fitted easily to the operating nut. Valve boxes shall be set to conform to the level of the finished surface and held in position by a ring of concrete placed under the support flange as shown on the City Standard Details. The valve box shall not transmit surface loads to the pipe or valve. Care shall be taken to prevent earth and other material from entering the valve box. Any valve box which is out of alignment or whose top does not conform to the finished ground surface shall be dug out and reset. Before final acceptance of the work, adjust all valve boxes to finish grade. Valve operating risers shall be installed with any valves required to ensure that the operating nut is 30-inches or less from the ground surface.

- D. After installation, test all valves and appurtenances for at least 1 hour at the working pressure corresponding to the class of pipe, unless a different test pressure is specified. If any joint proves to be defective, repair it to the satisfaction of the ENGINEER.
- E. Install all floor boxes, brackets, extension rods, guides, the various types of operators and appurtenances as shown on the Drawings that are in masonry floors or walls, and install concrete inserts for hangers and supports as soon as forms are erected and before concrete is poured. Before setting these items, check all plans and figures that have a direct bearing on their location and he shall be responsible for the proper location of these valves and appurtenances during the construction of the structures.
- F. Pipe for use with flexible couplings shall have plain ends as specified in the respective pipe sections in Division 15.
- G. Buried flanged or mechanical joints shall be made with Series 300, stainless steel bolts. All exposed bolts shall be made with Series 300 stainless steel bolts.
- H. Prior to assembly of split couplings, thoroughly clean the grooves as well as other parts. The ends of the pipes and outside of the gaskets shall be moderately coated with petroleum jelly, cup grease, soft soap or graphite paste, and the gasket shall be slipped over one pipe end. After the other pipe has been brought to the correct position, center the gasket properly over the pipe ends with the lips against the pipes. The housing sections then shall be placed. After the bolts have been inserted, tighten the nuts until the housing sections are firmly in contact, metal-to-metal, without excessive bolt tension.
- I. Prior to the installation of sleeve-type couplings, thoroughly clean the pipe ends for a distance of 8". Soapy water may be used as a gasket lubricant. A follower and gasket, in that order, shall be slipped over each pipe to a distance of about 6" from the end, and the middle ring shall be placed on the already laid pipe end until it is properly centered over the joint. Insert the other pipe end into the middle ring and bring to proper position in relation to the pipe already laid. The gaskets and followers shall then be pressed evenly and firmly into the middle ring flaires. After the bolts have been inserted and all nuts have been made up finger-tight, uniformly tighten diametrically opposite nuts progressively all around the joint, preferably by use of a torque wrench of the appropriate size and torque for the bolts.

3.2 SEWER SERVICE CONNECTIONS

- A. Materials, Construction:
 - 1. All sewer service connections shall be of SDR 35 PVC as specified herein with elastomeric gaskets on pipe and fittings.
 - 2. Service lines shall be connected to the sewer mains by means of a PVC wye fitting. The service branch of the wye fitting will be elevated depending on the depth of the sewer and the elevation of the property to be served. 45 degree bends or other fittings shall be used to connect the service line at the wye

branch. Service lines shall be installed at such grades as will adequately serve the properties, minimum 1% slope.

3. Service lines shall extend from the sewer to the property line and be plugged. Plugs shall be plastic with sealer. Service lines shall be 6 inches for single residential properties and 6 inches pipe and larger for commercial, industrial, and multiple residential services. Service lines will have a minimum of 3 feet and a maximum of 5 feet of cover at the property line. Service will be provided to each lot. All laterals shall have a vertical clean out installed at the property line. Clean outs shall extend 24 inches above grade and should be capped. After final connection of the lateral to a structure the clean out shall be cut off at grade and capped.

3.3 SHOP PAINTING

- A. Coat ferrous surfaces of valves and appurtenances with rust-inhibitive primer. Cap all pipe connection openings to prevent the entry of foreign matter prior to installation.

3.4 FIELD PAINTING

- A. Paint all metal valves and appurtenances specified herein and installed in valve and meter pits as specified. Following installation of aboveground valves, touch-up nicks and scratches of exterior painted surfaces with the same finish coating as specified herein.

3.5 INSPECTION AND TESTING

- A. Subject completed pipe to hydrostatic pressure test at full working pressure. Repair all leaks and retest the line as approved by the ENGINEER. Prior to testing, support the gravity pipelines in an approved manner to prevent movement during tests.

END OF SECTION

SECTION XXII WASTEWATER LIFT STATION CONTROL PANEL - GENERAL

PART 1 • GENERAL

1-01 DESCRIPTION

- A. The lift station control panel shall be supplied containing all the electrical and mechanical equipment necessary to provide for the operation of two (Duplex) electrical submersible pumps as specified in the standard drawings. The panel shall be a regulator type and provide a high level alarm system and emergency power provisions which can be utilized manually in case of main power failure.

Systems that may require more than two pumps will require special design, coordination, and approval from the City Utility Engineer.

1-02 QUALITY ASSURANCE

Comply with the applicable codes, standards, rules and regulations published by IEE, ANSI, NEC, National Electric Safety Code and Nema Standard IC-1 Industrial Control.

1-03 SUBMITTALS

Shop drawings shall be submitted showing layout materials and components for lift station control panels as shown in the City Utility Standard Drawings..

PART 2 - PRODUCTS (See Section XXIV)

2-01 GENERAL

- A. The standard duplex control panel shall be NEMA 3, 4, or 4X as required by location; Type 304, 14 Gauge Stainless Steel or Aluminum, with continuous welds on all seams. Rolled lip shall be provided around three sides of the door and around all sides of the enclosure opening. A neoprene gasket attached with oil resistant adhesive and held in place with stainless steel retaining clips shall be installed around the door. A drip edge shall be provided across the entire leading edge of the enclosure top. A 3-point door locking system shall be provided for the main enclosure door(s). All hardware except the print pocket shall be stainless steel. The pocket shall be aluminum or HD Plastic held in place with treaded studs welded to the interior of the outer door. No penetrations shall be allowed through the exterior of the door. An Aluminum sub-panel(s) shall be provided to hold the components for the controls.

All components and materials utilized in the assembly of the control panels shall have a U.L. Listing. The overall panel assembly does not require a U.L. Certification due to the field installation will modify the panel and negate the certification. The control panel (ICP – Industrial Control Panel) shall be clearly

labeled with the proper ICP Short Circuit Current Rating as required by NEC Article 409. These labels shall be attached to both the exterior and interior doors of the ICP.

- B. Mounted on the exterior of the enclosure shall be a generator receptacle and a high level alarm light. All parts mounted to the enclosure shall be secured with Type 304 stainless steel hardware. All exterior mountings or penetrations to the top or sides of the enclosure shall be gasketed with a high quality weather resistant material.
- C. The sub-panel(s) shall contain a main circuit breaker, emergency circuit breaker, motor circuit breakers, control circuit breaker, duplex receptacle breaker, across the line magnetic motor contactors, VFD's (Variable Frequency Drives), control voltage breaker and (where applicable). The main and emergency breaker shall be interlocked to assure only one breaker can operate at one time; 460 VAC systems will require a CPT Control Power Transformer 460VAC to 120VAC – breaker protected; 120VAC to 24VAC, .075KVA, breaker protected secondary transformer, plug-in 8 pin and 11 pin relays with indicating LED, float switch backup system, Devar Inc. Level Controller with Pressure Transducer, plug-in solid state phase monitor, flasher unit, ground lugs and the necessary terminal strips and plugs to allow for easy removal of the sub-panels. All control wiring shall be color coded per IPCEA (minimum 18 colors) or numbered, size 14 AWG, rated for 300 V, 80 degrees C, stranded, tinned copper with PVC insulation. The inner dead front door shall be constructed of .080", 3003 aluminum. The dead front shall be formed into a pan with a 3/4" break around the perimeter and shall be mounted on an .063" aluminum continuous aircraft hinge with a stainless steel pin. The dead front shall be fastened to the enclosure and hinge with stainless steel screws. The dead front shall be supported on the vertical break opposite the hinge with a continuous support and shall not depend on breakers or other components. The outer door shall contain a self storing wind resistant rod.

The dead front shall contain breaker knock-outs for protrusion of the breaker handles. If required and shown on the drawings, mounted on the dead front there shall be level lights, pump run lights, elapsed time meters, level controller, and HOA switches.

- D. Each control panel shall be provided with a breaker protected phase monitor and surge protection to insure protection for each pump circuit.
- E. The panel shall be provided with a panel convenience light to illuminate the interior of the panel at night. The switch/relay for this light shall be supplied and mounted as shown in the detailed drawings.
- F. The duplex ground fault protected (20Amps) outlet shall be mounted in the sub door of the panel.
- G. Each 460 VAC control panel shall have a control power transformer, where required as indicated, to provide 460 VAC to 120 volts single phase A.C. control power. Both legs of the primary shall be protected by a thermal magnetic 2 pole circuit breaker as manufactured by the Square D Company, one leg of the secondary of the control power transformer shall be protected by a thermal

magnetic circuit breaker as manufactured by the Square D Company, the other leg shall be grounded. The capacity of the control transformer shall be adequate to operate all the control devices in the circuit to include power for controls, lighting, receptacle, etc. as required per location; with a minimum capacity of 3.0 KVA.

2-02 WIRING

- A. All wiring shall be neatly laced or shall be installed in plastic Panduit raceways. The raceways shall be sized so that not more than 80% of the design capacity is used. There shall be a minimum of 1.5" clearance between all raceways and components throughout the entire panel.
- B. All terminations to external devices shall terminate on terminal blocks with insulated spade terminals, unless enclosed screw lug terminals are provided.
- C. All control wiring shall be color coded (minimum 18 colors) or numbered, individually labeled. size 14 AWG (minimum) rated for 300 Volts, 80 C, stranded tinned copper PVC insulated.
- D. A wiring and circuit schematic sized 11 inches by 17 inches shall be permanently affixed to the interior of the enclosure door. The schematic shall be extruded vinyl homopolymer laminate or approved equal. Also included in door shall be a print pocket to be mounted at start up. A plastic or aluminum warning sign with legend "DANGER-HIGH VOLTAGE" with voltage specified and shall be mounted on the exterior main panel door. The warning sign design and colors shall be in accordance with OSHA specifications and must be affixed to door without screws or rivets. (No holes to be drilled in exterior door).

2-03 NAME PLATES

Each switch, circuit breaker, indicating light, push button, meter, relay, etc., shall have an engraved laminated plastic color coded nameplate mounted above for proper identification; **Red** for alarm, **Black** for Power and **Blue** for level and controls. Letters shall be a minimum of 1/4 inch in height.

2-04 OPERATION

- A. The standard control function provides for the operation of the lead pump under normal conditions. As the flow decreases, pumps will be cut off at the elevation shown on the plans. In the event of a malfunction or a flow that exceeds the capacity of the pumps, a high level alarm light will be excited to indicate alarm conditions and also send this alarm signal to the RTU. The alarm light shall release only with the correction of the high level condition.
- B. Reference the project drawings for level controls operations. Refer to specified controller and other associated equipment. The Level Controller shall insure pump back-up guarantee and also distribute almost equal pump time to each of the pumps.

- C. In the event of phase reversal, loss of any phase, or low voltage of any phase, the normally open contacts through the phase monitor will close and provide a signal to the RTU for alarm. The phase monitor shall automatically reset upon removal of any and all of the above conditions.

2-05 SPECIAL

- A. The above panel requirements describe a 230 Volt, 3 Phase Power available, 3 Phase panel complete as above described. This shall apply in all cases, however, in special cases where only 230 Volt, 1 Phase Power is available to the pump station, the following changes and additions are necessary:
 - 1. Systems with pumps rated above 20HP, shall be 460 Volt, 3 Phase only.
 - 2. The plug in phase monitor will be changed to accommodate a 230 VAC or 460 VAC power source as required, which will monitor all legs.
 - 3. No single phase systems allowed.
 - 4. All Duplex Control Panels shall be provided with VFD Motor Controllers (per current City specifications) wired so that the motor leads can be easily moved to the contactor, with the VFD controller removed from the circuit, and the pump can be operated from the contactor; in the event of a VFD controller complete failure.

PART 3 – EXECUTION

3-01 INSTALLATION

- A. Control panels shall be installed at the lift station sites as specified on the drawings, which shall be pre-approved by the City Utilities Engineer.
- B. All work shall be accomplished/supervised in a neat and workmanlike manner by a certified master electrician holding a current competency card and registered with the State of Florida. The Contractor shall adhere to all OSHA Regulations and all City Safety Policies and Procedures.
- C. Electrical work shall be coordinated so as not to interfere with or delay other construction operations.
- D. Contractors shall do all necessary cutting, sleeving, excavating and backfilling for the installation of the equipment and the restoration thereafter.
- E. The Contractor shall install all equipment and control devices furnished by equipment manufacturers with their equipment and complete wiring in accordance with manufacturer's recommendations and approved wiring diagrams. Any Owner furnished equipment will be connected by the Contractor, including all necessary cords and plugs.
- F. The ends of all conduits shall be carefully reamed free from burrs after threading and before installation. All cuts shall be made square. All joints shall be made up

tight. Care shall be taken to see that all power conduit runs either from a permanent and continuous ground connection point, and a bond wire is provided within the conduit.

- G. The contractor shall permanently and effectively ground the service neutral and all raceways, devices, and utilize equipment in accordance with requirements of National Electrical Code, and as shown on drawings.

3-02 GROUNDING - SECONDARY VOLTAGE SYSTEMS

See Section XXV.

3-03 ELECTRICAL WORK - GENERAL

See Section XXV.

3-04 ELECTRICAL POWER INTERRUPTION

See Section XXV.

3-05 ALTERATIONS & ADDITIONS TO EXISTING WORK

See Section XXV.

3-06 ABOVEGROUND 600V CABLE, WIRE & CONNECTIONS

See Section XXV.

3-07 UNDERGROUND ELECTRICAL WORK (600 Volt. and Lower)

See Section XXVII.

3-08 DISCONNECT BOX

A heavy duty Square D or equivalent Fusable disconnect switch mounted in a Type 304 stainless steel enclosure sized for voltage, current (100 amp minimum) and phase for particular installation as approved by Engineer mounted in accordance with lift station drawing.

3-09 SUBMERSIBLE PUMPS

See Section XXIII.

3-10 ELECTRICAL PUMPING STATION (Submersible Pump Type)

See Section XXV.

3-11 MECHANICAL PUMPING STATION

See Section XXIV.

3-12 OUTSIDE SURGE SUPPRESSOR

A surge suppressor, SQD SDSA-3650 or equivalent, sized for voltage, current and phase for particular installation as approved by City Utility Engineer outside the disconnect box.

3-13 JUNCTION BOX AND SEALS

A stainless steel or aluminum NEMA 3, 4, or 4X as required by location, junction box (see drawings: sized for required installation – minimum size 18”X18”X8”D – approved by City Utility Engineer), or approved equal; with specified terminal strips for liquid level sensors, transducers, control cables, and pump leads, as shown in detailed drawings. Pending site specific clearances; the J-Box may be sized wider than 18” to allow for larger wire sizes and proper spacing of wire to terminal blocks. Lug type terminal blocks shall be installed for pump leads, sized a minimum of one size larger than the pump wires. Fill conduit bottom with silicone sealant. Box minimum height shall be 12 inches above wet well top elevation. “WYES” seal fining kit (one for each conduit required) complete with sealant by manufacturer mounted in accordance with lift station drawing. Myers Hubs shall be utilized at the bottom of panel and top of j-box with AL or S.S. nipples attached to WYES. This junction box shall be supplied by the panel manufacturer, factory wired and installed prior to shipment to the designed site.

NOTE: If J-Box mounting creates a shipping hazard, field mounting can be performed as long as all connections and wires are neat, secure, tested, and labeled properly.

3-14 CONDUIT

- A. For all above ground conduit and installation, and from junction box into panel, refer to Specification, SCHEDULE 80 PVC CONDUIT, SECTION XXV.
- B. For all below ground conduit and installation and from junction box to wet well, refer to Specification. PVC CONDUIT, SECTION XXVI.

3-15 SPLICES

Splices shall not occur in raceways, panels, or conduits. All wires should be connected/terminated to specified terminals. Any exceptions shall be approved by the City Utility Engineer and conform to the following: All splices for conductors No. 12 through No. 8 AWG solid or stranded shall be made with "Scotchlock" spring connectors or the pressure wire type. For wire larger than No.8, splices shall be made with "OZ" Type "XW" or "" as appropriate to the splice being installed. Equal fittings of Brundy and Penn Union may be used. Tape shall be equal to Scotch No. 33 plastic over splice and filler tape on splices shall be equal to "Scotchfill". All Scotchlock splices in handholes shall be dipped in Glyptol for waterproofing.

3-16 PERMITS

All required permits and inspection certificates shall be obtained and paid for by the Contractor and provided to the Owner at the completion of his work.

3-17 START-UP

The start-up must be witnessed by designated City staff. The manufacturer shall provide all necessary instruments and special apparatus to conduct any test that may be required to insure that the system is error free. A written start-up report will be furnished to Owner within 30 days from start-up.

3-18 GUARANTEE

The Contractor shall submit a written guarantee to the Owner that all electrical work and material furnished provided under this Contract is free of defects for a period of one year after final acceptance of the job. There will be no additional charge to the Owner to repair or replace any such work which is found to be defective within the guarantee period. Should a defect occur and the Contractor or his representative not be available for immediate repair, an interim repair by others may be made without violation of guarantee.

SECTION XXIII

SUBMERSIBLE PUMPS

PART I – GENERAL

1-01 RELATED WORK

- A. All related work shall meet the requirements of the Department as well as City of Naples and Collier County Ordinances, including all adopted Standards and Codes. However, the City Engineer, or designee, may require more stringent specifications for the following:
 - Supplementary General Requirements; Sitework; Concrete; Masonry; Metals; Specialties; Equipment; Equipment and Mechanical; Electrical; Environmental; and Electrical Control & Instrumentation.

1-02 SYSTEM DESCRIPTION

- A. The work covered by this section consists of furnishing all labor, equipment, services and materials required to install totally submersible electric driven non-clog centrifugal pumping units (quarterly as specified on the drawings), including electrical, electronic, and/or radio controls, piping and equipment as specified on the drawings, and placing them into successful/acceptable operation as designed.
- B. The pumping units supplied under this section shall be supplied by one manufacturer. The agency supplying the pumps shall furnish the motor controls, instrumentation, access frame and covers and pump appurtenances shall have system responsibility and shall be one point source of supply and responsibility. The City may supply portions of the equipment, and coordinate directly with the agency responsible for the project completion.
- C. Furnish and install all Type 316 stainless steel, brackets, hangers, supports, fasteners, anchor bolts, washers and nuts required to support and secure the equipment of the size and design as specified on the drawings and as recommended by the manufacturer.

PART 2 - QUALITY ASSURANCE

2-01 DESIGN CAPACITY

The submersible pumping units shall meet the following design conditions:

Submersible
Pumping: Units

- A. Rated Capacity, gpm....._____
- B. Rated total dynamic head, ft._____
- C. Maximum speed, rpm....._____
- D. Minimum shut-off head, ft._____
- E. Minimum overall pump guaranteed....._____
efficiency at rated head, percent
- F. Minimum rated horsepower of motor....._____

2-02

- A. The design shall be such that the pump unit will be automatically and firmly connected to the discharge piping when lowered into place by means of two stainless steel guide bars (2" minimum diameter) onto its mating discharge connection which will be permanently installed in the pumping lift station wet well. The pumps shall be easily removable for inspection or servicing, requiring no bolts, nuts or other fastenings to be disconnected or personnel to enter the wet well.

2-03 SUBMITTALS

- A. Submit shop drawings, certified, pump curves, certified test data and product data.
- B. Submit operation and maintenance data. Include manufacturer recommended spare parts lists and trouble-shooting guide.

PART 3 – PRODUCTS

3-01 PUMP CONSTRUCTION

- A. The pump casing and the impeller shall be of gray cast iron. All exposed surface O-rings shall be nitrile rubber. All exposed bolts and nuts shall be of Type 316 stainless steel.
- B. The impeller shall be of single vane, non-clog design capable of passing a minimum size 3-inch sphere, fibrous material or heavy sludge and constructed with long throughway and no acute turns.
- C. A sliding guide rail bracket shall be an integral part of the pump unit. The volute casing shall have a machined discharge flange to automatically and firmly connect with the cast iron discharge connection, which when bolted to the floor of the sump and discharge line, will receive the pump discharge connecting flange without the need of adjustment, fasteners, clamps or similar devices. The volute discharge flange shall be drilled for standard ANSI 125 lb. bolt pattern for the specified discharge size.
- D. The motor housing shall be equipped with sufficient fins or cooling jackets and other devices necessary to provide an adequate cooling system for motor operation under all conditions. Cooling media channels and parts shall be non-clogging by virtue of their dimensions.
- E. Pumps must be slide rail mounted, completely 100% compatible with the FLYGT (2 Rail Guide System), and the entire pump must come out with the motor, impeller, and volute during the pulling operation. There shall be no need for personnel to enter the Class 1, Division I, Confined Space wet well in order to remove or reinstall the pump(s). The pump(s) shall be automatically connected to the discharge piping when lowered into place on the two rail guide system, requiring no bolts, nuts or fasteners to effect sealing to the discharge connection.

Sealing at the discharge connection shall be: metal to metal, or shall utilize a single piece, high quality, semi-rigid, replaceable, buna seal (seal shall be locked into place by a pressure fit configuration), insertion type seals are not acceptable; to effect a proper mating pump discharge connection.

- F. These pumps shall be provided with 400 Series Stainless Steel wearing rings and/or wearing plates and a tandem double mechanical seal composed of two separate lapped face seals. The material composition of the seals must be of the highest quality, have long wearing properties, be undamaged by the pump running dry, and shall require neither routine maintenance nor adjustment. Each pump shall be provided with a tandem double mechanical seal composed of two separate lapped face seals. The lower seal shall consist of one stationary and one rotating silicon carbide or tungsten carbide ring, and the upper shall consist of one stationary carbon ring and one rotating alloy steel ring (chrome steel is not an acceptable material). Each seal shall be held in contact by a separate spring. Conventional double mechanical seals with single or double springs between the rotating faces, requiring constant differential pressure to effect sealing will not be considered equal to the tandem seal specified and required. The Seals must be bi-directional in function.
- G. The motor shall be Nema Design "B" with Class "F" insulation (minimum), capable for VFD operation, in an air filled watertight casing. No oil filled motors will be accepted. The motor shall be capable of continuous in air service, with cooling characteristics suitable to permit continuous operation, in a totally, partially, or non-submerged condition. The temperature at any point in the windings shall not exceed 155°C at any load on the operating curve of the pump. The motor windings shall be provided with three over temperature sensors set at 140°C, one in each phase, all wired in series. The sensors shall be self-resetting and wired into the pump controls in a manner that will shut the pump down if the sensor opens. The pump motor shall not be loaded beyond its nominal (nameplate) rating at any point throughout the entire pump operation curve. The motor must meet Class J, Group D, and Division 1 service. The motor shall be explosion proof. This classification must be documented by a notarized letter from the motor manufacturer giving us the underwriter's laboratory or Factory Mutual approval number and date.

Motors rated at 20HP and below must incorporate thermal protection in the windings wired to the top terminal cap and through the pump cable.

Motors rated above 20HP must incorporate both thermal protection in the windings and seal failure indication wired in series to the top terminal cap and through the pump cable.

- H. The motor shall be rated 230/460 volts, 3 phase, 60 hertz, and furnished with a minimum of 50 feet of pump lead. The oil housing must be equipped with an inspection plug. The stator housing must be sealed from the terminal board. The motor shall be supplied with a single cable entry, multiple cable entries will not be accepted in motor sizes 50HP and under.
- I. The pump/motor shaft shall be constructed of 420 stainless steel or 1045 carbon steel, protected over the entire wetted length, with a 316 stainless steel shaft

sleeve, and shall be keyed to accept the impeller. The impeller shall be secured to the shaft by a stainless steel locking bolt or nut.

- J. The motor shaft shall rotate on permanently lubricated ball bearings properly sized to withstand the axial and radial forces induced by the impeller. The upper bearing shall be a single row double shielded ball bearing while the lower bearing shall be a maxi-duty ball bearing. All ball bearings shall have a minimum B-10 Bearing Life of no less than 20,000 hours of operation, certified by the manufacturer, and documentation shall be submitted with the bid.
- K. Pump motor cable shall be of the SO/SOW type (Or Equivalent) suitable for submersible pump applications with the rating permanently embossed on the cable. Cable length shall be sufficient to reach the control panel or the intermediate sealed terminal junction box, without the need for any splices. Cable sizing shall conform to NEC requirements for the full load current of the pump motor. The pump shall be fitted with one power cable only. Sealing of the power cable entrance into the terminal chamber shall be provided by a buna-n grommet in a compression fitting, containing a strain relief function. The cable entry junction chamber and motor shall be separated by a stator lead sealing gland and/or terminal board, and/or an epoxy sealing system approved by the City, which shall isolate the interior from foreign material gaining access through the pump top.
- L. Each pump shall be furnished with a 300 series stainless steel lifting bail, with a minimum of four inch diameter eyelet.
- M. Each Submersible Pump shall be furnished with a 300 series stainless steel, upper two (2) rail guide bracket.
- N. Each Submersible Pump shall be furnished with a pump discharge elbow, which shall have incorporated in it: Floor Mount supports, guide rail seats for the specified two rail system, and a drilled 125# ANSI standard discharge flange 100% compatible with the Flygt 2 rail 2" system.
- O. Each Submersible Pump unit shall be shipped as a complete unit, and shall consist of the following:
 - Power Cable - Impeller - Slide Rail Adaptor
 - Pump/Motor - Volute - Wear-Ring and/or Plate
- P. Each Dry Pit Submersible pump unit shall be shipped as a complete unit, and shall consist of the following:
 - Power Cable - Impeller - Drilled Discharge Flange (Standard 125# ANSI Config.)
 - Pump/Motor - Volute - Drilled Flanged Suction Elbow 90 (Standard 125# ANSI)
 - Pump Stand (If not configured into Suction Elbow 90) - Wear-Ring and/or Plate

Q. SPARE PARTS

The following spare parts shall be supplied for each (per unit) of the pump units specified in this bid package:

- One (1) spare impeller -One (1) spare upper seal
- One (1) lower seal -One (1) O-ring kit
- Wear-Ring and/or Plate

R. MANUALS/SPECIAL TOOLS

Each pump shall be furnished with two (2) Operation and Maintenance manuals, two (2) sets of complete detailed parts list, and all necessary tools for removing the impeller, removing/installing the seals, and inspecting the pump.

3-02 PUMP CONTROLS

- A. The pump controls are partially specified under this section and Section XXIV, and as specified on the drawings.
- B. The pumps shall have local NEMA (NEMA rating as specified on the drawings) enclosed disconnects with the starters, running time meters and indicator lights.
- C. Pumps shall be controlled by a Controller as specified on the drawings. In the manual mode, pumps shall be able to start/stop manually at the control location, or by telemetry interface.
- D. The control circuit shall be supplied with a Devar level controller with four (4) floats for backup level control, and low/high level system that shall assume pump control and high level functions, in the event of a complete controller failure. Floats shall be provided by the equipment supplier.
- E. The final elevation of the wet well floor in the lift/pumping station shall be as specified on the drawings. The minimum pumping level for the pumping unit are as follows:

<u>Pump-on/off, Sequencing</u>	<u>Pumping Units and Alarm Levels</u>
1	As specified on the drawings
2	As specified on the drawings
3	As specified on the drawings
4	As specified on the drawings

3-03 PUMP ACCESSORY EQUIPMENT

To permit quick removal and reinstallation of the pump and motor assembly from the wet well without requiring unbolting or other similar forms of disconnection of the pump discharge piping or personnel to enter the wet well, the following components shall be provided, but not limited to:

- A. For each pump a cast iron 90 degree discharge base elbow shall be supplied. This elbow shall have a standard 125 pound flanged discharge connection. In addition, the elbow shall incorporate mounting sockets for two pump guide rails. Guide rails shall be a minimum size of 2 inches and manufactured of Type 316 stainless steel, schedule 40 seamless pipe, with all threads removed from ends.
- B. In addition, upper guide rail holder brackets shall be provided by the pump supplier for anchoring the top of the pump guide rails. These brackets shall be designed for bolting to the sidewall of the access frame and shall be manufactured of Type 316 stainless steel. These brackets shall be fastened to the frame with Type 316 stainless steel studs/bolts, washers and nuts.
- C. The pumps shall be equipped with sliding guide brackets, which shall be pivoted and bolted to the pump frame in a manner such that which the pump is resting in the fully lowered position on the discharge base elbows.
- D. The Contractor shall furnish and install aluminum access frame and covers above each of the pumping units and/or above the level probe unit as specified on the drawings. The rating required shall be as specified on the drawings.
- E. The frame and covers above these pumping units shall be aluminum 2024 ST. The underside of the frames shall be coated with bitumastic to prevent the frames and covers from corrosion in contact with concrete. The covers shall be capable of carrying a minimum of 300 lbs./sq.ft. live load or as specified on the drawings.
- F. The frames and covers shall be complete with Type 316 stainless steel hinges, stainless steel pined, square keyed flushed locking mechanism, heavy duty stainless steel hinged locking hasp, or otherwise as specified on the drawings. The upper guide holders and level sliding nut rails to attach accessories shall be provided. Lower guide bar holder shall be integral with the discharge connection. Doors shall be skid proof design.

PART 4 - EXECUTION

4-01 INSTALLATION

Install per manufacturer's approved shop drawings.

4-02 INSTALLATION CHECK

- A. Provide services of an experienced, authorized representative or manufacturer or supplier of equipment to visit site of work and inspect, check, adjust if necessary, and approve equipment installation during startup and six months after acceptance of pumping units, these startup reports shall be provided in written form to the owner/utility. In addition, 8 hours of on-site training in operation and maintenance of pumping units shall be furnished.
- B. Assure that equipment supplier's representative revisits job site as often as necessary for the complete warranty period and until all trouble is corrected and

equipment installation and operation are satisfactory in opinion of the Owner/Engineer.

- C. After the installation of the pumping units and all appurtenances, each pumping unit shall be: subjected to a field running test under actual operating conditions as part of system startup requirements. The field tests shall be made by the Contractor in the presence of the manufacturer's representative and Owner/Engineer and Utilities Maintenance Superintendent. The field tests shall demonstrate that under all conditions of operation, each unit:
1. Has not been damaged by transportation or installation.
 2. Has been properly installed.
 3. Has no mechanical, electrical or electronic defects.
 4. Is in proper alignment.
 5. Has been properly connected.
 6. Is free of overheating of any parts.
 7. Is free of all objectionable vibration.
 8. Is free of overloading of the parts/components.
 9. Equipment operates and performs as designed.
 10. Draw down tests performed utilizing pressure gauges and accurate measurements to determine actual equipment performance of GPM @ TDH.
- D. Furnish to Owner/Utility through the Engineer, a written report prepared by equipment manufacturer/supplier certifying that equipment:
1. Has been properly installed and tested.
- E. The Contractor shall furnish a complete set of spare parts for each size of pump and pump controls as specified on the drawings and in the specifications.

(See Section XXIV.)

SECTION XXIV

MECHANICAL - PUMPING STATION – GENERAL

PART 1 – GENERAL

1-01 SCOPE

- A. The work included under this Section consists of furnishing and installing the pumps, motors and related equipment for the pump station with submersible pumps as specified herein and as specified on the drawings, unless otherwise specified. Some material may be Owner furnished. (See Sections XXV, XXII and XXIII – See Schedule of Prices).
- B. All metal components in the wet well, with the exception of the pumps, motors and station piping shall be aluminum or Type 316 stainless steel. The pumps, motors, control panel, frames and covers, guide bar brackets, guide bars, cable holder, and pump anchor bolts shall be supplied by the pump supplier to insure unit responsibility and equipment compatibility. The control panel shall conform to the requirements indicated on the drawings and in City of Naples Utilities Department General Specifications for Sewage Pumping Stations (applies only to equipment and materials furnished by the Contractor on others, owner furnished equipment may differ).

PART 2 • PRODUCTS

2-01 DESCRIPTION

Furnish, install and test all mechanical, electrical, structural equipment and materials, pumps and special equipment as shown on the drawings and as specified herein.

2-02 SUBMITTALS

- A. Submit manufacturer's catalog data, illustrations, principle dimensions, materials of construction, installation instructions and other pertinent data.
- B. Submit certificates from manufacturer stating that products furnished comply with these specifications.
- C. Operation and Maintenance Manuals: Submit six (6) manuals for each different size, type or model of equipment furnished. Manuals shall be bound sets of literature including the following and other pertinent information required.
 - 1. Detailed assembly drawings, clear and concise instructions for operating, adjusting, overhauling, trouble-shooting and other maintenance.

2. A complete lubrication schedule including lubricant types, grades and frequency of lubrication.
3. A list of parts for all products with catalog numbers and all data necessary for ordering replacement parts. Such instructions and parts lists shall have prepared for the specific product furnished and installed and shall not refer to other types or models.
4. Spare parts as specified by the equipment manufacturer and Section XXV.

2-03 PRODUCT HANDLING

Exercise care in transporting and handling equipment to avoid damage. Inside of equipment shall be kept free of dirt, debris, and moisture.

PART 3 - DESIGN

3-01 DESIGN

- A. The Contractor shall furnish and install motor driven, totally submersible sewage pumps as manufactured by Flygt or Engineer of Record approved equal, to meet the requirements as specified in the drawing and Schedule of Prices, otherwise, this equipment will be owner furnished.
- B. Pumps shall be capable of handling raw, unscreened sewage. The design shall be such that pumping units will be automatically connected to the discharge piping when lowered into place on the discharge connection. The pumps shall be easily removable for inspection or service, requiring no bolts, nuts or other fastenings to be removed for this purpose and no need for personnel to enter pump well. All equipment furnished by Owner is to be installed by Contractor as part of this Contract.

3-02 PUMP CONSTRUCTION (See Section XXIII and XXV)

- A. The stator casing, oil casing and impeller shall be of grey iron construction, with all parts coming into contact with sewage protected by coal tar epoxy, 12 mils in thickness (minimum). All external bolts and nuts shall be of stainless steel. A wear ring, or wear plate, designed for abrasion resistance shall be installed at the inlet of the pump to provide protection against wear to the impeller. The impeller shall be of a single vane, non-clog design, capable of passing solids, fibrous material, and heavy sludge and constructed with long throughway with no acute turns.
- B. Each pump shall be provided with a upper tandem double mechanical seal running in an oil reservoir, composed of two separate lapped face seals, the lower consisting of one stationary ring and one rotating ring, with each pair held in contact by a separate spring. The seals shall require neither maintenance nor adjustment and shall be easily replaceable. Conventional double mechanical seals with a single or double spring to effect sealing and subject to opening and

penetration by pumping forces shall not be considered equal to the tandem seal specified and required.

PART 4 – EXECUTION

4-01 PUMP AND PUMP BASES INSTALLATION

- A. It is of utmost importance that the pump base(s) is attached/anchored to the concrete bottom slab, level and plumb and at the exact location required relative to the access cover as shown in the drawings, procedures.
- B. Owner Furnished Equipment - See Schedule of Prices
- C. Installation:
 - 1. Install access cover as described in Section XXIV and as described in the drawings.
 - 2. Attach upper guide brackets as shown on drawings.
 - 3. Place pump base(s) on bottom slab elevated 6-inches up from wet well bottom slab, as shown on drawings.
 - 4. Check pump base(s) with level (Shim, if necessary) and place stainless steel J type anchor nuts and bolts to base plate(s) as shown on drawings. Anchor bolts must be of sufficient size to prevent sloppiness and/or movement of the base anchor knockouts.
 - 5. Cut to length and install 2-inch stainless steel guide bars between upper guide bracket(s) and pump base(s). No threads will be allowed to remain on guide bars. For stations under 20 HP that are 15 feet or less in depth, guide bars may be schedule 10, otherwise use schedule 40.
 - 6. Pour new concrete floor and slope as shown on drawings, secure with stainless steel nuts and washers. Pump base(s) should be exactly in position where guide bars are parallel and vertically plumb in accordance with manufacturer specifications.

PART 5 - PIPING, VALVES & EQUIPMENT

Piping and fittings shall be in accordance with applicable Sections and Drawings of this Manual. Flanges shall be drilled to 125 pound ANSI Standard B 16.1 template. All piping shall be suitable for sewage application unless otherwise specified in the Schedule of Prices or approved by the Engineer.

5-01 Valves

See Section 15110.

5-02 Other Equipment

Lift Stations with 6-inch pumps and piping; one model, Halliday Products, A3660 (or approved equal) aluminum access frame complete with hinged and hasp equipped cover, stainless steel upper guide holder and level sensor cable holder shall be furnished and installed. The frame shall have a safety locking handle for locking in the open position. The covers shall be 1/4 inch thick diamond plate or the cover shall be as specified on the drawings.

PART 6 – INSTALLATION

6-01 GENERAL

Access cover and frame, guide brackets and guide bar installation shall be as described and as shown on drawings.

6-02 EQUIPMENT START-UP SERVICE AND TESTING

- A. Start-up Services: The Contractor shall furnish the services of a factory trained representative of the pump manufacturer to thoroughly check the installation of the pumping equipment to insure that it is properly installed, lubricated and operable. The factory representative shall be present during start-up of the pumping equipment to make any final adjustments or repairs necessary and to instruct the Owner's operators in the proper operation and maintenance required for the pumps and equipment. The factory representative is to provide a written start-up report to the Engineer within 30 days after start-up of the equipment.
- B. Testing: The pumps and equipment shall be tested for proper installation and in strict accordance with the pump and equipment manufacturer's installation instructions. All excessive vibration, improper adjustment or damage shall be corrected by the Contractor prior to final acceptance at no additional cost to the Owner.

6-03 COATINGS

- A. All surfaces (exterior) of the piping (DIP), fittings (DIP), and valves for pumping station shall be coated with three (3) coats of coal tar epoxy, Each coat shall have a minimum dry film thickness of 10 mils for a total finish thickness of 30 mils dry film thickness. The color of the exterior coats shall alternate red-black-red. Exterior coating shall be per the technical specifications.
- B. Interior coatings for piping, piping fittings, valves, and concrete shall be per the technical specifications.

6-04 ADDITIONAL WORK AND MATERIALS

Additional items of construction, such as valve vault, flanged adapters, thrust blocks, and other items necessary for the complete installation of the system shall conform to specific details on the drawings and shall be constructed of first-class materials conforming to the applicable portions of these Specifications and the Drawings.

SECTION XXV ELECTRICAL - PUMPING STATION (Submerged Pump Type)

PART 1 – SCOPE

- A. Work included in this Section consists of furnishing all labor, materials, equipment and transportation and performing all operations required for electrical work in accordance with the Specifications and Drawings and includes, but is not restricted to the following:
1. Complete electrical wiring of all electrical systems as shown on the Drawings and herein specified.
 2. Furnish and install electrical control panels as shown on the Drawings and as herein described.
 3. Electrical permits, fees, tests and guarantees.
 4. Connection of all electrical equipment.
 5. Coordination of work with the City of Naples Utilities Department and Owner.
 6. Provide record drawings.
 7. Submit shop drawings.

PART 2 – GENERAL

2-01 DESCRIPTION

Furnish, install and test all electrical equipment and materials as shown on the drawings and as specified herein.

2-02 SUBMITTALS

- A. Submit, manufacturer's catalog data, illustrations, principle dimensions, materials of construction, installation instructions and other pertinent data.
- B. Submit certificates from manufacturer stating that products furnished comply with these specifications.
- C. Operation and Maintenance Manuals: Submit six (6) manuals for each different size, type or mode of electrical equipment and materials furnished. Manuals shall be bound sets of literature including the following and other pertinent information required.
1. Detailed assembly drawings, clear and concise instructions for operating, adjusting overhauling, troubleshooting and other maintenance.
 2. A list of parts for all products with catalog numbers and all data necessary for ordering replacement parts. Such instructions and parts lists shall

have been prepared for the specific product furnished and shall not refer to other types or models.

3. Provide all required spare parts.

2-03 PRODUCT HANDLING

Exercise care in transporting and handling electrical equipment and materials to avoid damage. Inside of equipment shall be kept free of moisture, dirt and debris.

PART 3 - GENERAL REQUIREMENTS

3-01 CODES/QUALITY ASSURANCE

Any conflicts between the Drawings and Specifications or with the regulations of local codes, City of Naples Utilities Department, or the National Electrical Code shall be promptly brought to the attention of the Engineer for clarification. All materials and work shall be in accordance with said standards and applicable standards of NEMA, and applicable standards of IEEE, ANSI, NEC and National Electrical Safety Code.

3-02 CONTRACT DOCUMENTS

The Drawings are generally diagrammatic; therefore, the Contractor shall make use of all the data in all of the contract documents and shall verify all information at the site which may influence his proposal.

3-03 INSPECTIONS

During the course of construction, the work will be inspected by the Engineer. The Contractor shall call for inspections by local building inspector during the normal phases of installation and, following the successful completion of the final inspection, furnish the Owner with a certificate of final approval.

3-04 TESTS

Contractor shall provide all necessary instruments and special apparatus to conduct any test that may be required to insure the system is free of all improper grounds and short circuits. These tests shall be conducted in the presence of the Owner's representative prior to final acceptance.

3-05 GUARANTEE

The Contractor shall submit a written guarantee to the Owner that all electrical work and material provided under this Contract is free from defects for a period of one year after final acceptance of the job. There will be no additional charge to the Owner to repair or replace any such work which is found to be defective within the guarantee period.

3-06 SHOP DRAWINGS

The Contractor shall submit shop drawings covering all electrical equipment for approval within 45 days after receiving the "Notice to Proceed." No partial list will be reviewed. Contractor shall carefully review and check all shop drawings prior to their submittal to the Engineer and his approval shall be indicated or stamped on the drawings. Six copies of each drawing shall be submitted. Shop drawings shall be submitted to show one (1) General layout, two (2) Elementary wiring diagrams and three (3) Outline, wiring diagrams, and descriptions (make, model, etc.) of all special devices.

3-07 RECORD DRAWINGS

A complete set of electrical plans shall be given to the Contractor to clearly mark all changes from the plans as noted. This work must be kept up-to-date and verified by the inspectors before the payment is made. Two complete marked sets shall be delivered to the Owner before the final acceptance of the work.

3-08 PERMITS

All required permits and inspection certificates shall be obtained, paid for, and provided to the City at the completion of the work.

PART 4 - MATERIALS AND EQUIPMENT

4-01 GENERAL

All equipment and materials shall be new and shall bear the manufacturer's name, date of manufacture, trade name and the Underwriter's Laboratories label. Equipment and materials shall be delivered to the site and stored in original containers suitably sheltered from the elements, but readily accessible for inspection.

4-02 CONDUCTORS

- A. No conductor shall be smaller than No. 12, except for a low voltage system, control wiring within a panel or as indicated. All conductors shall be of copper, having a minimum of 98 percent conductivity. Tinning shall be in accordance with the standards of the Underwriter's Laboratories, Inc.
- B. Coding: All conductors shall be coded throughout using a minimum of eighteen colors and white. The same color code for a particular phase or pan of a circuit shall be run with the same conductor through the job. Neutral shall be white and slate. Banding with color tapes shall not be accepted. Branch circuit conductor connected to 120/240 Volt circuits shall be black and red, and shall be supplied with uniform wire markers at all terminations.
- C. Insulation: All conductors in trapped or damp locations shall have Type THHN 90°, 600 Volt insulation. Conductors in dry locations size No.8 AWG and smaller shall be Type "THHN" 600 Volts.

- D. Terminations: All conductors and terminals shall be number/letter labeled at all terminations. All terminations (numbers/letters) shall be rated on the detailed wiring diagram supplied with the control panel.

4-03 SPLICES

Splices shall not occur in raceways, panels, or conduits. All wires should be connected/terminated to specified terminals. Any exceptions shall be approved by the City Utility Engineer and conform to the following: All splices for conductors No. 12 through No. 8 AWG solid or stranded shall be made with "Scotchlock" spring connectors or the pressure wire type. For wire larger than No.8, splices shall be made with "OZ" Type "XW" or "" as appropriate to the splice being installed. Equal fittings of Brundy and Penn Union may be used. Tape shall be equal to Scotch No. 33 plastic over splice and filler tape on splices shall be equal to "Scotchfill". All Scotchlock splices in handholes shall be dipped in Glyptol for waterproofing.

4-04 RACEWAYS

- A. All conduits shall be hot dipped galvanized or metallized, zinc coated, rigid threaded conduits, except where indicated to be PVC, Stainless Steel, or aluminum.
- B. Rigid Conduit: Rigid steel conduits shall be equal to Pittsburgh Standard hot dipped galvanized conduit Republic "Galvite," or National "Sheraduct" (no intermediate grade conduit allowed) except where indicated to be PVC or aluminum on the drawing,
- C. PVC: Polyvinyl Chloride Schedule 80 conduit shall be equal to that manufactured by Carlton Products Corporation, 3645 Warrensville Center Road, Cleveland, Ohio, 44122.

4-05 SAFETY/DISCONNECT SWITCH

A heavy duty lockable Square D or equivalent stainless steel Fusable safety disconnect switch sized for voltage, current (100 amp minimum) and phase for particular installation as approved by Engineer mounted in accordance with lift/pumping station drawing.

4-06 OUTSIDE SURGE SUPPRESSOR

A surge suppressor, as specified on the drawing Square-D #SP3650 or equivalent, sized for voltage, current and phase for particular installation as approved by the Engineer mounted outside and on the bottom of the disconnect switch mounted in accordance with lift/pumping station drawing.

4-07 CONDUIT JUNCTION BOX

A stainless steel or aluminum NEMA 3, 4, or 4X as required by location, junction box (see drawings: sized for required installation – minimum size 18"X18"X8"D – approved by City Utility Engineer), or approved equal; with specified terminal

strips for liquid level sensors, transducers, control cables, and pump leads, as shown in detailed drawings. Pending site specific clearances; the J-Box may be sized wider than 18" to allow for larger wire sizes and proper spacing of wire to terminal blocks. Lug type terminal blocks shall be installed for pump leads, sized a minimum of one size larger than the pump wires. Fill conduit bottom with silicone sealant. Box minimum height shall be 12 inches above wet well top elevation. "WYES" seal fining kit (one for each conduit required) complete with sealant by manufacturer mounted in accordance with lift station drawing. Myers Hubs shall be utilized at the bottom of panel and top of j-box with AL or S.S. nipples attached to WYES. This junction box shall be supplied by the panel manufacturer, factory wired and installed prior to shipment to the designed site.

NOTE: If J-Box mounting creates a shipping hazard, field mounting can be performed as long as all connections and wires are neat, secure, tested, and labeled properly.

4-08 INSTALLATION

- A. Motor control center shall be installed on 6" square by 12' minimum concrete posts, with a 4-inch thick minimum concrete pad extending a minimum of 12-inches past each side of motor control center and 30" in front and rear of motor control center, as applicable. Provide 3/4 inch chamfer on all exposed edges of concrete.

PART 5 - PUMPING STATION CONTROLS

5-01 SCOPE

A control panel shall be supplied containing all the electrical and mechanical equipment necessary to provide for the operation of two or more electrical submersible pumps, as specified on the drawing. The panel shall be provided with the Level Controller type specified and provide a high level alarm system and emergency power provisions which can be utilized manually in case of main power failure.

5-02 CONTROL PANEL OPERATION

- A. The control panel shall operate two or more electrical submersible pumps at the power characteristics as specified on the drawings. A red external light shall indicate "Emergency High Level" in wet well as specified on the drawings.
- B. The control function provides for the operation of a lead pump under normal conditions. If the incoming now exceeds the pumping capacity of the lead pump, the second, third and/or fourth pump shall automatically start to handle this increased flow. As the flow decreases, pumps shall be cut off at elevations as shown on the drawings. In the event of a malfunction or a flow that exceeds the capacity of the pumps, an emergency high level light alarm shall be excited to indicate alarm conditions. The alarm light shall release only with the correction of the high level condition.

5-03 CONSTRUCTION AND MATERIAL

- A. The standard duplex control panel shall be NEMA 3, 4, or 4X as required by location; Type 304, 14 Gauge Stainless Steel or Aluminum, with continuous welds on all seams. Rolled lip shall be provided around three sides of the door and around all sides of the enclosure opening. A neoprene gasket attached with oil resistant adhesive and held in place with stainless steel retaining clips shall be installed around the door. A drip edge shall be provided across the entire leading edge of the enclosure top. A 3-point door locking system shall be provided for the main enclosure door(s). All hardware except the print pocket shall be stainless steel. The pocket shall be aluminum or HD Plastic held in place with treaded studs welded to the interior of the outer door. No penetrations shall be allowed through the exterior of the door. An Aluminum sub-panel(s) shall be provided to hold the components for the controls.

All components and materials utilized in the assembly of the control panels shall have a U.L. Listing. The overall panel assembly does not require a U.L. Certification due to the field installation will modify the panel and negate the certification. The control panel (ICP – Industrial Control Panel) shall be clearly labeled with the proper ICP Short Circuit Current Rating as required by NEC Article 409. These labels shall be attached to both the exterior and interior doors of the ICP.

- B. The sub-panel(s) shall contain a main circuit breaker, emergency circuit breaker, motor circuit breakers, control circuit breaker, duplex receptacle breaker, across the line magnetic motor contactors, VFD's (Variable Frequency Drives), control voltage breaker and (where applicable). The main and emergency breaker shall be interlocked to assure only one breaker can operate at one time; 460 VAC systems will require a CPT Control Power Transformer 460VAC to 120VAC – breaker protected; 120VAC to 24VAC, .075KVA, breaker protected secondary transformer, plug-in 8 pin and 11 pin relays with indicating LED, float switch backup system, Devar Inc. Level Controller with Pressure Transducer, plug-in solid state phase monitor, flasher unit, ground lugs and the necessary terminal strips and plugs to allow for easy removal of the sub-panels. All control wiring shall be color coded per IPCEA (minimum 18 colors) or numbered, size 14 AWG, rated for 300 V, 80 degrees C, stranded, tinned copper with PVC insulation. The inner dead front door shall be constructed of .080", 3003 aluminum. The dead front shall be formed into a pan with a 3/4" break around the perimeter and shall be mounted on an .063" aluminum continuous aircraft hinge with a stainless steel pin. The dead front shall be fastened to the enclosure and hinge with stainless steel screws. The dead front shall be supported on the vertical break opposite the hinge with a continuous support and shall not depend on breakers or other components. The outer door shall contain a self storing wind resistant rod.

The dead front shall contain breaker knock-outs for protrusion of the breaker handles. If required and shown on the drawings, mounted on the dead front there shall be level lights, pump run lights, elapsed time meters, level controller, and HOA switches. All circuit breakers shall be heavy duty Square "D" molded case breakers or equal.

C. Each control panel shall be provided with a phase monitor and surge monitors to insure protection for each pump circuit. A surge suppressor as specified in the drawings shall be provided in the control panel, connected to the incoming primary power lines. Ground lightning arrestor with No.4 or larger bare copper conductor, connected to a 2ea - 3/4 inch by 10 foot long copper clad ground rods.

D. CONTROL PANEL COMPONENT REQUIREMENTS

The Detail Drawings have a list of required components. However, additional components may be required.

- See Part 7, EXECUTION, 7-01 H.

All COMPONENTS SHOWN LISTED WITH AN (SPR) AFTER THE COMPONENT DISC SHALL ALSO HAVE ONE ADDITIONAL UNIT FURNISHED AS A SPARE (SPR), PROVIDED TO OWNER AT TIME OF STATION START UP.

E. The inner aluminum door, mounted on continuous hinge shall be furnished for protection against exposed wiring and shall have cutouts for access to the circuit breakers. Mounted on the inner door shall be pump run lights, hand-off-automatic switches, a level controller, elapsed running time meters, and a 20 ampere (min.) GFI duplex receptacle.

NOTE: All lights shall be pushed to test type.

F. On the exterior of the control panel enclosure shall be mounted a red high level alarm light and a generator receptacle as specified on the drawing.

G. An 11" x 17" schematic and pump data sheet (with date of manufacture of control panel) or approved equal shall be permanently affixed to the interior of the enclosure door and an 11" x 17" schematic and pump data sheet (with date of manufacture of control panel) or approved equal shall be inside a sleeve affixed to the interior of the enclosure door. Both data sheets shall be extruded vinyl homo-polymer laminate or equal.

PART 6 – OPERATION

6-01 GENERAL

Operation of the controls equipment shall be as shown on the drawings.

PART 7 – EXECUTION

7-01 ELECTRICAL ASSEMBLY

A. All work shall be executed in a neat and workmanlike manner by experienced and capable electricians so as to present a neat installation upon completion.

- B. Electrical work shall be coordinated so as not to interfere with or delay other construction operations.
- C. Contractor shall do all necessary cutting, sleeving, excavating and backfilling for the installation of the equipment and the patching thereafter. Rigid conduit installed underground and above ground between panel, eys seal off, junction boxes and wet well shall be Schedule 80 PVC sizes as specified on the drawing.
- D. The Contractor shall install all starters and control devices furnished by equipment manufacturers, with their equipment and complete wiring in accordance with manufacturer's recommendations and approved wiring diagrams. Any Owner furnished equipment or appurtenances shall be connected by the Contractor, including all necessary cords and plugs.
- E. The ends of all conduits shall be carefully reamed free from burs after threading and before installation. All cuts shall be made square. All joints shall be made up tight. Care shall be taken to see that all power conduit runs either from a permanent and continuous ground connection point, a bond wire shall be provided within the conduit.
- F. The Contractor shall permanently and effectively ground service neutral and all raceways, devices, and utilization equipment in accordance with requirements of National Electrical Code, and as specified on the drawings. All grounding electrodes shall have rigid clamp jaws.
- G. Owner Furnished Equipment: See Schedule of Prices
- H. Contractor Furnished Equipment: See Schedule of Prices

*See Control Panel component requirements list for other required equipment.

7-02 SETTINGS, OVERLOAD AND SHORT CIRCUIT PROTECTION

Establish motor protection settings for the motor circuit protector based upon the nameplate data of equipment actually supplied and in accordance with the National Electrical Code.

PART 8

8-01 MAGNETIC MOTOR CONTROLLER

- A. Magnetic motor contactors shall be provided as required by site specific load. They shall not be smaller than NEMA Size 1.
- B. Control transformers, when required, shall be provided. Both legs of primary and one leg of the secondary of the control transformer shall be protected by breakers. The other leg of the secondary shall be grounded. The capacity of the control transformers shall be adequate to operate all the control devices in the circuit at full load.

- C. Variable Frequency Drive (VFD) Units shall be provided for each pump and shall be sized for the specified maximum pump motor horse power (HP), or one increment size larger as required. The standardized VFD Make & Model are defined in the pump station control panel drawings.

8-02 WARNING

- A. A plastic or aluminum warning sign with the legend "DANGER-HIGH VOLTAGE" (with voltage specified) shall be mounted on the exterior main panel door. The warning sign design and colors shall be in accordance with OSHA Specifications. A metallic foil or plastic warning label with red background and white letters shall be affixed to the front door of the dead-front panel door. The label shall have the following legend:

**WARNING-ELECTRICAL SHOCK HAZARD
MOTOR CONTROL CIRCUITS REMAIN ENERGIZED
WHEN MOTOR CIRCUIT BREAKER IS "OFF"**

8-03 NAMEPLATES

- A. Each switch, circuit breaker, indicating light, push button, meter, relay, etc., shall have an engraved laminated plastic nameplate mounted above for proper identification as specified in Section XXIV and the standard detailed drawings.

8-04 WIRING

- A. All wiring shall be neatly laced or shall be installed in plastic wireways.
- B. All terminations to external devices shall be clearly labeled and terminate on terminal blocks.

SECTION XXVI

TRANSFORMERS, DRY TYPE

PART 1 – GENERAL

1-01 QUALITY ASSURANCE

Transformers shall meet the quality requirements of NEMA Standard ST20, Transformers - Dry Type and applicable ANSI, UL and IEEE Standards.

1-02 SUBMITTALS

Shop drawings shall be submitted consisting of certified outline drawings and wiring diagrams. Include data on insulation, isolators, sound levels, losses, impedance and regulation.

PART 2 – PRODUCTS

2-01 MANUFACTURER

The quality of transformers shall be approved equal to the products of the following manufacturers: Westinghouse Company, Gould (ITE), Heavy Duty, Square D and General Electric Company. Equivalent transformers of other manufacturers may be provided, if approved.

2-02 DRY TYPE TRANSFORMERS

A. General: Dry type transformers shall be two winding type conformation to the applicable requirements of NEMA Standard ST20, Transformers - Dry Type and also to applicable ANSI, UL and IEEE Standards. "T" connected windings will not be acceptable for 3 phase transformers.

1. Transformers rated up to 15kVA three phase or 25kVA single phase shall be UL listed for either indoor or outdoor use and shall be of totally enclosed design with encapsulated coils to protect core and coils against adverse atmospheric conditions.
2. Transformers rated 37.5kVA to 167kVA single phase or 30kVA to 500kVA three phases shall be suitable for indoor use only but shall be resistant to thermal shock and high humidity.

B. Electrical Ratings: Number of phases, frequency, self-cooled load rating, high and low voltage and phase connection are indicated on the drawings. A permanent nameplate shall be furnished with each transformer, giving complete data of transformer, including percent impedance, based on self-cooled rating.

1. A minimum of four full rated taps shall be provided in high voltage winding, two 2 1/2% below and two, 2 1/2% above nominal voltage.

C. Temperature Classification: The transformer shall utilize an insulation system that has been properly temperature classified and approved by Underwriter's Laboratories. Unless otherwise indicated, the insulation rating shall be as follows:

kVA Rating	Preferred Insulation System Temperature Classification	Winding Temperature Rise
5kVA to 25kVA	Class H-220 degrees C	80 degrees C
30kVA to 500kVA	Class H-200 degrees C	115 degrees C

Winding temperature rise limits applicable to the system temperature classification shall be in accordance with Underwriter's Laboratories Specification UL 506.

D. Load Rating:

1. Transformers shall be capable of operating continuously at 100% of nameplate rating while in an ambient temperature not exceeding 40 C.
2. Transformers 5kVA and above shall be capable of meeting the daily overload requirements to ANSI Standard C57.12.
3. Transformers shall be capable of long service life under the thermal conditions specified. There shall be no need for derating.

E. Sound Rating: The transformer shall have sound levels equal to or lower than those shown below:

<u>Transformer Rating kVA</u>	<u>Maximum Sound Level Decibels in Accordance With ANSI C89</u>
0-9	40
10-50	45
51-150	50
151-300	55
301-500	60

F. Other Requirements: The following requirements shall be in accordance with Underwriter's Laboratories Specification UL 506.

1. Enclosures:
 - a. Ventilation Openings

- b. Corrosion Resistance
- c. Cable Bending Space
- d. Grounding Provision
- e. Surface Temperatures
- f. Wiring Compartment Temperature Rise
- g. Terminations

- G. Materials: The only acceptable transformer windings material shall be copper. Aluminum materials will not be accepted.

PART 3 – EXECUTION

3-01 INSTALLATION

- A. Provide approved mounting for transformers as recommended by the manufacturer.

B. Floor Mounting Transformers:

1. Provide 3 inch mounting pad with beveled edges.
2. Verify position with Architect-Engineer for access, service and location.
3. Transformer installation shall not restrict access to terminal compartments or the flow of air through the transformer vents.

C. Transformer installation shall contain the following:

1. Flexible connection of adequate length to permit flexing by hand. Maximum length of flexible conduit shall be 18 inches.
2. Caro Flex flexible conduit where required for water resistant installations.
3. Proper vibration isolating devices approved equal to Korfund, as recommended by manufacturer, arranged to prevent 60 to 120 Hertz transmission to structure and piping.

- D. Isolating pads shall be built into transformer structures.

- E. Floor mounting transformers shall have additional units below transformer on base, for isolation purposes.

- F. The neutral point on all single phase and three phase transformers shall be grounded by a continuous grounding conductor extended to the transformer supply ground, sized in compliance with NEC, when size not shown. Sizes shown shall not be decreased. Bond ground conductor to transformer case.

SECTION XXVII UNDERGROUND ELECTRICAL WORK (600 VOLTS AND BELOW)

PART 1 – GENERAL

1-01 APPLICABLE PUBLICATIONS

- A. The publications listed below form a part of this specification to the extent referenced. The publications are referred to in the test by the basic designation only.

Military Specifications (Mil. Spec.) Publication:
MIL-C-18480B Coating Compound, Bituminous, Solvent, Coal Tar Base

Underwriter's Laboratories Inc. (UL) Publications:
44-1977 Rubber-Insulated Wires and Cables (R7/81)
510-1982 Insulating Tape

National Electrical Manufacturer's Association (NEMA) Publications:
TC2-1978 Electrical Plastic Tubing (EPT) and Conduit (EPC-40 and (R 4/81)
EPC-80)

American National Standards Institute (ANSI) Publication:
C2-1981 National Electrical Safety Code (NEAX)

National Fire Protection Association (NFPA) Publication:
70-1981 National Electrical Code (NEC)

American Association of State Highway and Transportation Officials (AASHTO)
Publication:
Standard Specifications for Highway Bridges (1977), Twelfth Edition

1-02 GENERAL REQUIREMENTS

- A. See Section XXV, paragraphs 3-01 through 3-08.

1-03 SUBMITTALS

- A. The following information shall be submitted for approval:
- I. Catalog Information
 - a. Conduit
 - b. Precast Handhole
 - c. Handhole Frame & Cover
 - B. Certificates: Material and Equipment: Provide manufacturer's statement certifying that the product supplied meets or exceeds contract requirements.

- 1. Precast handhole and accessories.

2. Handhole frame and cover.

PART 2 – PRODUCTS

2-01 CONDUIT

- A. Except as otherwise indicated, conduit for direct burial shall be PVC conforming to NEMA TC2 (conduit) and TC3 (fittings) type EPC-10-PVC.

2-02 TAPE

- A. Plastic insulating tape shall conform to the requirements of UL 510.

2-03 POWER WIRE AND CABLE

- A. Wire and cable conductor sizes are designated by American Wire Gauge (AWG). Conductors shall be copper. Insulated conductors shall bear the date of manufacture imprinted on the wire insulation with other identification. Wire and cable manufactured more than 12 months before installation shall not be used.
- B. Insulated conductors in conduit and light poles shall be type XHHW conforming to UL 44.
- C. Insulated conductors (cables) for direct burial in earth shall be cable or individual conductors bundled together and shall be provided with HHW insulation and shall be Underwriter's approved as type UF or type USE. Conductors for direct burial extended through conduit sleeves under roadways, paved area, slabs, etc., and into handholes and lighting control centers shall be the same as direct buried cable.
- D. All control cables shall be shielded pairs with the cable shield tied to ground. The shield shall not be connected to any "floating" ground.

2-04 PRECAST HANDHOLES

- A. Provide precast handholes (pull boxes) complete with all accessories and strengths as required and as specified on drawings. Each casting shall be identified by having the manufacturer's name and address cast into an interior face or permanently attached thereto. The complete assembly, including frame and cover, shall be rated for AASHTO H2O wheel loading.
- B. Metal frames and covers shall be made of cast-iron or steel. Frames and covers of steel shall be welded by qualified welders in accordance with standard commercial practice. Steel covers shall be rolled steel floor plate having an approved anti-slip surface. Covers shall be rate AASHTO H2O. Covers shall be embossed with minimum one inch high letters with the word ELECTRICAL.

2-05 BITUMASTIC COATING

- A. Coating material shall conform to Mil. Spec. MIL-C-18480.

2-06 GROUNDING

Equipment grounding conductor shall be No.4 AWG except as otherwise noted.

2-07 CONCRETE

Concrete shall conform to Section "Cast-in-Place Concrete."

PART 3 – EXECUTION

3-01 INSTALLATION

- A. Underground cable installation shall conform to ANSI C2 and NFPA 70, except as otherwise specified or indicated.

3-02 UNDERGROUND CONDUIT

- A. Except as otherwise indicated, conduit shall be PVC and shall not be installed under or above traffic signal loops.
- B. The top of the conduit shall be not less than 18 inches below grade, shall have a minimum slope of 3 inches in 100 feet toward drainage points, and shall run in straight lines except where a change of direction is necessary. As each conduit run is completed, a testing mandrel not less than 2 inches long with a diameter 1/4 inch less than the inside diameter of the conduit shall be drawn through the conduit: after which a brush, having stiff bristles, shall be drawn through until the conduit is clear of all particles of earth, sand or gravel; conduit plugs shall then immediately be installed. There shall not be less than 3 inches clearance from the conduit to each side of the trench. The bottom of the trenches shall be graded smooth; where rock, soft spots, and/or sharp edged materials are encountered, the bottom shall be excavated for an additional 3 inches, filled and tamped level with original bottom with sand or earth free from particles that would be retained on a 1/4 inch sieve.
- C. Under roads, paved area, and railroad tracks, conduit shall be encased in concrete. The concrete encasement shall extend at least 10 feet beyond the edges of paved areas and roads. The concrete encasement shall be rectangular in cross-section and shall provide at least 3 inches of concrete cover. Conduit shall be separated by a minimum concrete thickness of 2 inches, except that light and power conduits by a minimum concrete thickness of 3 inches. Conduit sleeves and conduit shown associated with direct buried cable systems shall extend a minimum of 12 inches beyond the concrete encasement. Conduit shall be capped where indicated.

3-03 CONCRETE

- A. Concrete for electrical requirements shall be at least 3,000 psi concrete 3/8" and shall conform to the requirements of Section "Cast-in-Place Concrete."

3-04 BACKFILLING

- A. A plastic warning tape shall be provided about 12 inches below the top of the trench in the backfill. Backfill shall be placed in layers not more than 6 inches thick and each layer shall be compacted. Backfilling shall progress as rapidly as the construction, testing and acceptance of the work permits. Backfill shall be free from roots, wood scrap material and other vegetable matter and refuse. Compaction of backfill shall be 90 percent of maximum density in unpaved areas, 100 percent in roadway areas.

3-05 RECONDITIONING OF SURFACES

- A. Surfaces disturbed during the installation of duct, conduit or direct burial cable shall be restored to their original elevation and condition and for new work to new elevations and conditions specified. Sod or topsoil shall be preserved carefully and replaced after the backfilling is completed. Sod that is damaged shall be replaced by sod of quality equal to that removed. Where the surface is disturbed in a newly seeded area, the restored surface shall be reseeded with the same quantity and formula of seed as that used in the original seeding.

3-06 PRECAST HANDHOLE INSTALLATION

- A. Commercial precast assembly shall be set on 6 inches of level, 90 percent compacted crushed rock fill, 3/4 inch to one inch size, extending 12 inches beyond the handhole on each side. Granular fill shall be compacted by a minimum of four passes with a plate type vibrator. Handhole shall be filled as indicated with rock which would pass a 1/4 inch screen and which is free of sharp material after conduits are in place.

3-07 FIELD PAINTING

- A. Cast-iron frames and covers not buried in masonry shall be cleaned of mortar, rust, grease, dirt and other deleterious materials, and given a coat of bituminous paint conforming to Mil. Spec. MIL-C-18480. Steel frames not buried in masonry and steel covers shall be cleaned of mortar, dirt and grease by an approved blasting process. Surfaces that cannot be cleaned satisfactorily by blasting shall be washed with solvents until thoroughly cleaned. Immediately after cleaning, surfaces shall be coated with a pretreatment coating or be given a crystalline phosphate coating. As soon as practicable after the pretreatment coating has dried, treated surfaces shall be given a coat of bituminous paint conforming to Mil. Spec. MIL-C-18480.

3-08 EARTHWORK

- A. Excavation for handholes shall be to depths required. If hard material is encountered, the provisions of the contract respecting an adjustment for changed conditions shall apply, subject to the requirements of notification thereunder being given. Hard material shall be defined as solid rock, firmly cemented

unstratified masses or conglomerate deposits possessing the characteristics of solid rock not ordinarily removed without systematic drilling and blasting, and any boulder, masonry or concrete (except pavement), exceeding 1/2 cubic yard in volume. Excavated materials not required or suitable for backfill shall be removed from the project site.

- B. Backfilling around structures shall consist of earth, loam, sand-clay or sand and gravel, free from large clods of earth or stones over one inch in size. Backfill materials shall be placed symmetrically on all sides in loose layers not more than nine inches deep. Each layer shall be moistened, if necessary, and compacted with mechanical or hand tampers to 90 percent compaction. Surfaces disturbed during the installation of manholes and handholes shall be replaced as described in paragraph, 3-05, RECONDITIONING OF SURFACES.

3-09 SPLICES FOR 600 VOLT CLASS CABLES

- A. Splices in underground system shall be made using a compression connector on the conductor and by insulating and waterproofing by the following method suitable for continuous submersion in water. Cast-type splice insulation shall be provided by means of a molded casting process employing a thermosetting epoxy resin insulating material which shall be applied by a gravity poured method employing materials and equipment contained in an approved commercial splicing kit. The component materials of the resin insulation shall be in a package form ready for convenient mixing without removing from the package. When the mold is in place around the joined conductors, the resin mix shall be prepared and poured into the mold. Cables shall not be moved until after the splicing materials have completely set. Acceptable splices: splices shall only be made in handholes, in cabinets, and in pole handholes, as described herein.

3-10 GROUNDING

- A. Noncurrent carrying metallic parts associated with electrical equipment shall have a maximum resistance to solid "earth" ground not exceeding the following values:
 - Grounded secondary distribution system neutral, conduit and noncurrent carrying metal parts associated with distribution systems and grounds not otherwise covered.....5 ohms
- B. When work in addition to that indicated or specified is directed in order to obtain the specified ground resistance, the provisions of the contract covering "Changes" shall apply.
- C. Grounding connections which are buried or otherwise normally inaccessible, and excepting specifically those connections for which access for periodic testing is required, shall be made by exothermic weld or with a wedge-pressure grounding connector. Exothermic welds shall be made strictly in accordance with the weld manufacturer's written recommendations. Welds which have "puffed up" or which show convex surfaces, indicating improper cleaning, are not acceptable. No mechanical connector is required at exothermic weldments.

- D. Grounding conductors shall be copper. A No. 4 AWG bare copper grounding conductor shall be installed in each trench for power.

3-11 FIELD TEST

- A. Distribution Conductors 600 Volt Class: All 600 volt class conductors shall be tested to verify that no short circuits or accidental ground exist. Tests shall be made using an instrument which applies a voltage of approximately 500 volts to provide a direct reading of resistance.

3-12 TEST REPORTS

- A. 600 volt cables (identify each cable and test result).
- B. Grounding electrodes & systems (identify electrodes and systems, each test).

SECTION XXVIII RENOVATION OF EXISTING SUBMERSIBLE TYPE WASTEWATER PUMPING STATIONS

PART I – GENERAL

1-01 DESCRIPTION

The work included under this section includes all labor, equipment and material and materials required to renovate existing wastewater pumping stations including: removal of equipment not to remain in service; renovation of existing wet wells; renovation of existing or construction of new valve vaults; installation of equipment; furnishings and installing piping, fittings and valves and all other mechanical and electrical appurtenances; and testing of installed mechanical and electrical equipment. It is intended that the contractor provide for a complete and operable facility in accordance with the drawings and these specifications.

1-02 SEQUENCE OF CONSTRUCTION

- A. The contractor shall submit a narrative description of the sequence of construction activities required for the demolition, removal or relocation of existing structures, equipment, piping and electrical work. All work schedules and construction sequences shall be approved and coordinated with the City and other affected utilities. Construction activities shall be planned so as to minimize reductions in pumping capabilities and down time for the existing pumping station.

1-03 EQUIPMENT

- A. All equipment for each wastewater pumping station shown and specified on the contract drawings shall be furnished and installed by the contractor.

1-04 SUBMITTALS

- A. Submit four copies of manufacturer's catalog data, illustrations, principle dimensions, materials of construction, installation, certificates from manufacturer stating that products furnished comply with these specifications, operation and maintenance manuals, and any other pertinent data for materials and equipment furnished by the contractor for pumping station renovation. Refer to individual sections of these specifications for submittal requirements of particular materials and equipment to be furnished.

1-05 PERMITS AND NOTICES

- A. Permits and Licenses: Contractors shall obtain all necessary permits and licenses for performing the work and shall furnish a copy of same to the Engineer prior to commencing the work. The contractor shall comply with the requirements of the permits.

- B. Notices: Contractor shall issue written notices to utility companies or local authorities for planned removal, relocation or construction activities gas, water, electric power, telephone, cable television or sewer utilities as a part of the contract. Copies of all written notices shall be submitted to the Engineer.

1-06 PRODUCT HANDLING

Exercise care in transporting, handling and storing Owner supplied and contractor furnished materials and equipment. All materials and equipment shall be kept clean and free of dirt and debris.

PART 2 – PRODUCTS

2-01 GENERAL

All products shall be specified in the contract drawings.

2-02 PIPE AND FITTINGS

- A. Ductile iron pipe and cast or ductile iron fittings shall be flanged Class 53 pipe in conformance with this Manual. HDPE piping will typically be used in wet well and discharge piping as shown in the detailed drawings. Nuts, bolts and other hardware items installed in wet wells shall be Type 316 stainless steel in accordance with ASTM A320, Class 2. Nuts, bolts, and other hardware items installed in valve vaults shall be Type 304 stainless steel in accordance with ASTM A320, Class 2.
- B. Polyvinyl chloride (PVC) pipe and fittings for vents, drains and water services shall be schedule 80 PVC in accordance with ASTM D1785 for pipe, and ASTM D2464 and ASTM D2467 for threaded and solvent welded fittings respectively.

2-03 CHECK VALVES

Refer to Section XII.

2-04 PLUG VALVES

Refer to Section XV.

2-05 PIPE COUPLINGS

Refer to Section IV.

2-06 CAM LOCK COUPLER

- A. The emergency pump by-pass shall be provided with a cam lock type, flanged male adapter. The adapter shall have a nominal diameter of 4-inches with a standard ANSI/AWWA 125 lb. drilled flange. The cam lock male adapter shall be furnished with a compatible dust cap with a brass chain. The male adapter, flange and dust cap shall be manufactured of bronze or stainless steel.

- B. Cam lock type flanged male adapters and dust caps shall be as manufactured by Ever-Tite-Coupling Co., Inc., New York, New York or an equal approved by the Engineer.

2-07 BACKFLOW PREVENTION ASSEMBLY

Where a Water Service is to be installed as a part of the contract for renovation of wastewater pumping stations, a reduced pressure type backflow prevention assembly shall be installed on the water service as shown on the drawings. The reduced pressure backflow prevention assembly shall be a Wilkins or approved equal.

2-08 MANHOLES

Manholes sections used for wet well renovation shall be precast concrete sections in accordance with Section 02607.

2-09 CONCRETE WORK

Concrete used for foundations and cast in place reinforced concrete or precast concrete for valve vaults and tops of wet wells shall be in accordance with specifications listed herein.

2-10 ELECTRICAL WORK

All materials and equipment furnished for renovation of wastewater pumping stations shall be in accordance with Sections XXV and XXVI in these specifications.

PART 3 – EXECUTION

3-01 TEMPORARY BY-PASS PUMPING

- A. The contractor shall provide all necessary labor, materials and equipment including pumps, engine drives or generator sets, suction and discharge piping, flow-through plugs, and control equipment to provide a temporary by-pass pumping system. Such system shall be continuously operated and maintained by the contractor for as long as the pumping station wet well is out of service. By-pass pumping shall be accomplished by: 1) plugging the gravity sewer from the first manhole upstream of the wet well, and then using the master manhole as a temporary wet well or 2) utilizing flow-through plugs with manifold in wet well. Wastewater shall be discharged from the pump to a temporary connection on the existing force main. All pumping equipment shall be the silent type that meets City noise Ordinance requirements.
- B. The contractor shall submit the type, model, pumping capacity, discharge pressure and type of driver for the pump to be used for temporary by-pass pumping and the method of controlling and operating the pumping equipment.

In addition, the contractor shall submit proof of ownership or a lease agreement for the proposed pumping equipment. The proposed pumping equipment and the proposed method of accomplishing the temporary by-pass pumping shall be reviewed and approved by the City Engineer prior to commencing any of the work.

3-02 DEMOLITION, MODIFICATION AND SALVAGE OF EXISTING STRUCTURES, MATERIALS AND EQUIPMENT

- A. Conditions of Structures and Equipment: The Owner/City assumes no responsibility for the actual condition of structures or equipment to be removed or demolished. Conditions existing at the time of inspection for bidding purposes will be maintained by the Owner in so far as practicable.
- B. Salvable Material: Prior to demolition and removal activities, the contractor will consult with the Utilities Maintenance Supervisor to identify any materials or equipment that are to be removed under the contract that the City wished to salvage and retain. Material to be salvaged shall be removed with a minimum amount of damage and stored in areas designated by the Owner. Salvaged material to be on the ground shall be placed on blocks or pallets. Any materials or equipment to be removed that are not designated by the Owner to be salvaged, shall be promptly removed from the site by the contractor as a part of the contract.
- C. Traffic: Conduct demolition operations and the removal of debris to ensure minimum interference with roads, streets, walks, and other adjacent occupied or used facilities. Do not close or obstruct streets, walks or other occupied or used facilities without permission from authorities having jurisdiction. Provide alternate routes around closed or obstructed traffic ways if required by governing regulations. All alterations or interruptions of traffic must be pre-addressed with a City Engineer-approved M.O.T. Plan provided by the contractor. All M.O.T. costs shall be the responsibility of the contractor.
- D. Projections: Ensure the safe passage of persons around the area of demolition. Conduct operations to prevent injury to adjacent buildings, structures, other facilities, and persons.
 - 1. Provide suitable barricades and handrails around excavations or demolition operations as required by authorities having jurisdiction.
 - 2. Whenever excavations cross public walkways provide a suitable safe walkway with hand railings and signage.
 - 3. Maintain suitable lights or barricades to indicate open excavations at night along or across public or private thoroughfares.
 - 4. Provide interior and exterior shoring, bracing, or support to prevent movement or settlement or collapse of structures to be demolished and adjacent facilities to remain.

5. Access to private property shall be protected and kept accessible during all phases of the construction.
- E. Damages: Promptly repair damages caused to adjacent facilities by demolition operations at no additional cost to the Owner.
- F. Utility Services: Maintain existing utilities indicated to remain, keep accessible and in service, and protect against damage during demolition operations.
 1. Do not interrupt existing utilities servicing occupied or used facilities, except when authorized in writing by authorities having jurisdiction. Provide temporary services during interruptions to existing utilities, as acceptable to the governing authorities.
- G. Demolition: Demolish and remove all existing structures, pumps, piping, valves, fittings and other mechanical and electrical equipment that are indicated to be removed in the Contract Documents. Demolition shall proceed in a systematic manner, from the top of the structure down. Complete demolition work above each floor or tier before disturbing supporting members on lower levels. Demolish concrete and masonry in small sections, and remove and break-up slabs unless otherwise shown to remain. Small structures may be removed intact when approved by the Engineer and by authorities having jurisdiction.
- H. Modifications to Existing Facilities: The cutting and removal of existing work necessary for modifications and installation of new work shall be made with a minimum of damage to the work that is to remain. Any damage done to existing facilities which are to remain shall be repaired at the contractor's expense to the satisfaction of the Engineer.
- I. Disposal of Demolished Materials: Debris, rubbish and other materials resulting from demolition operations that are not to be salvaged shall be removed and disposed of off the site. Debris created within facilities, which are to remain in service during the renovation work, shall be removed on a daily basis.

3-03 RENOVATION OF EXISTING WET WELLS

- A. Precast concrete wet well sections that are to be replaced as a part of wet well renovation, shall be installed in accordance with Section 02607.
- B. If new pump bases and anchor bolts are to be installed as a part of renovation, break out and remove existing concrete mortar fill floor, fillets, and inverts. Remove all debris, pressure clean all surfaces, pump/suck out water, set base anchor J-Bolts (if applicable), pour new concrete floor base, and finish.
- C. Interior concrete and/or brick surfaces shall be prepared prior to installation of an epoxy lining or fiberglass sleeve to remove all surface dirt, wastewater residue, previous coating and any other foreign material, surface preparation shall be high pressure water cleaning and by commercial sand blasting methods, if applicable. Following surface preparation interior concrete surfaces of wet well shall be lined with an epoxy or fiberglass liner as described hereinafter under Paragraph 3-07.

3-04 INSTALLATION OF EQUIPMENT IN WET WELL

- A. Pump Bases and Pumps: Install new pump bases as shown on the drawings and in accordance with the pump manufacturer's installation instructions. Bases shall be installed level and plumb and in correct position with relation to the access frame and cover and such that guide rails are parallel and vertically plumb. The pump bases shall be anchored into a new concrete floor using stainless steel J-type anchor bolts designed to be cast into concrete; or alternately, the pump bases may be anchored using epoxy-bonded stainless steel threaded rods embedded in concrete a minimum of 8 inches. Concrete floor shall slope to pumps with a minimum 6-inch fillet at wet well wall as shown on the drawings.
- B. Piping and Fittings: Flanged pipe and fittings shall be installed as shown on the drawings and as specified in this Manual. Pipe and fittings shall be coated as specified below.
- C. Access Door: The wet well access door shall be installed as shown on drawings. Bolted down type shall be anchored using Type 316 stainless steel expansion type anchor bolts (Wedge It or equal). Wet well access door shall be located accurately such that pump guide rails are parallel and vertically plumb. Installation shall be per manufacturer's instruction.
- D. Pump Guide Rail System: Anchor upper guide rail brackets using Type 316 stainless steel nuts and bolts or expansion type anchor bolts as shown on drawings. If shown on drawings, anchor intermediate guide rail brackets to the discharge piping. Guide rails shall be cut to the correct length and bolted, using Type 316 stainless steel bolts and nuts, to the upper and intermediate guide rail brackets. Threaded ends of 2-inch diameter pipe used for guide rails shall be removed prior to cutting to proper guide rail length. Guide rails shall be installed vertically plumb and parallel such that the pumps may be installed and removed without binding.
- E. Cable Holder: Install stainless steel cable holder as shown on drawings using Type 316 stainless steel bolts and nuts or expansion type anchor bolts. The cable holder shall be installed such that control cables will hang freely, will not be affected by incoming sewer discharges, and such that cables will not interfere with pump installation and removal using the guide rail system.

3-05 VALVE VAULT, PIPING, FITTINGS AND VALVES

- A. Precast Concrete Valve Vault: The valve vault, where applicable, shall be precast concrete with minimum clearances and dimensions as shown on the drawings. Concrete shall be as specified. The Contractor shall verify the actual inside dimensions of the vault required based on valves and fittings he will furnish. The valve vault shall be installed on a concrete foundation as shown on the drawings.
- B. Access Door: The valve vault access door shall be installed as shown on drawings. Bolted down type shall be anchored using Type 316 stainless steel expansion type anchor bolts (Red Head or equal). Valve vault access door shall be located to provide unhindered access to valve operating nuts. Installation shall be per manufacturer's instructions.

- C. Piping, Fittings and Valves: Piping, fittings and valves located in valve vaults shall be installed as shown on drawings. Resilient seat gate valves shall have the type of operator indicated. Refer to applicable following specification sections and detail drawings for additional information.

3-06 ELECTRICAL WORK

- A. All electrical work shall be performed in accordance with Sections XXV and XXVI.
- B. All work shall be in accordance with said standards and applicable standards of NEMA, and applicable standards of IEEE, ANSI, NEC and National Electrical Safety Code.
- C. Electrical Assembly shall be performed as described in Section XXV, Part 7, paragraph 7-01.

3-07 PROTECTIVE COATINGS AND LINERS

- A. Wet Well Protective Coatings, Epoxy Liners.
 - 1. For brick exterior below ground surfaces exposed during renovation, clean off dirt and debris with high pressure water cleaning. Patch leaking joints with hydraulic cement and/or drill and pressure grout leaks/seepage that hydraulic cement can not seal properly, and coat exterior surfaces with a waterproofing cement coating (when applicable).
 - 2. For exterior precast concrete below ground surfaces exposed during renovation clean off dirt and debris with high pressure water cleaning. Patch leaking joints with hydraulic cement and coat exterior surfaces with three coats of a bituminous seal coating. Each coat shall have a minimum dry film thickness of 10 mils per coat for a total finish coating thickness of 30 mils dry film thickness. Exterior coating shall be Koppers Bitumastic No. 300-M or an equal approved by the Engineer. New precast concrete wet well sections installed as part of the renovation contract shall be coated at the precast manufacturer's yard prior to shipment as described above.
 - 3. For interior brick and precast concrete wet well surfaces, prepare and clean surfaces as described above in paragraph 3-03, Renovation of Existing Wet Wells. Patch leaks, cracks and joints with hydraulic cement and/or high strength grout, and apply coating per the technical specifications— as required - to all interior brick and concrete surfaces of the wet well. The coating system shall restore the wet well to the original designed thickness.
- B. Valve Vault Protective Coatings
 - 1. Concrete surfaces shall be clean and dry prior to coating. Surfaces shall be free of dirt, loose cement, form oil, curing compounds and any other

foreign material. Coatings shall be applied in accordance with manufacturer's instructions.

2. Exterior below ground surfaces shall be coated with three coats of a bituminous seal coating with a minimum dry film thickness of 10 mils per coat, for a total finish coating thickness of 30 mils dry film thickness. Exterior coating shall be Koppers Bitumastic No. 300-M or an equal approved by the Engineer.
3. Interior concrete surfaces of valve vault shall be coated with three coats of a coal tar epoxy coating with a minimum dry film thickness of 10 mils per coat, for a total finish coating thickness of 30 mils dry film thickness. Subsequent coats to the first coat shall be applied within 48 hours of the previous coat. The color of the coats shall be red for the first coat, black for the second coat and red for the third coat. Coal tar epoxy shall be Koppers Bitumastic No. 300-M or an equal approved by the Engineer.

C. Protective Exterior Coatings for Piping, Fittings and Valves

1. The exterior surfaces of all piping, fittings and valves including nuts and bolts located in wet wells and valve vaults shall be completely coated following installation. Surfaces shall be dry and free of rust, scale, oil, dust and any other foreign material prior to coatings. Existing piping, fittings and valves that are to remain following renovation shall have surfaces prepared by commercial sandblasting meeting SSPC-SP-6 specifications prior to coating. Coating shall be applied in accordance with manufacturer's instructions.
2. Piping (DIP), fittings (DIP) and valves shall be coated with three coats of a coal tar epoxy with a minimum dry film thickness of 10 mils per coat, for a total finish thickness of 30 mils dry film thickness. Subsequent coats to the first coat shall be applied within 48 hours of the previous coat. The color of the coats shall alternate red-black-red. Coal tar epoxy shall be Koppers Bitumastic No. 300-M or an equal approved by the Engineer.
3. The City Engineer or designee shall detail on the drawings the piping, fittings, and valves that shall be coated.

D. Free Standing Fiberglass Liners

1. Wet Wells requiring renovation where structural strength is in question shall be renovated utilizing a fiberglass liner.
2. Preparation of the wet well structure prior to installation of a liner shall consist of the following:
 - a. Remove existing invert and level the bottom of the wet well;
 - b. Remove all loose brick and/or concrete; and
 - c. Pressure clean surfaces to remove all wastewater debris.

3. The fiberglass liner shall be a minimum of three-eighths (3/8) inches in thickness. The outside diameter of the liner shall be of sufficient length to allow a minimum of one-and-one-half inch (1 1/2") clearance between the outside edge of the liner and the existing structure. Non-shrinking grout shall be uniformly pumped into the void between the existing structure and the fiberglass liner.
4. All influent, effluent, and conduit lines shall be installed into the liner with a minimum of loss of liner material. All seams shall be properly prepared and cleaned and overlapping layers of resin and matting shall be applied. This material shall be applied with sufficient thickness to prevent seepage of moisture and gases, and capable of resisting any line vibration.
5. Prior to the installation of a new concrete wet well lid, a 3/8" thick sheet of fiberglass shall be installed and sealed to the top of the liner.

3-08 EXCAVATING, TRENCHING AND BACKFILLING

- A. Excavating, trenching and backfilling for installation of wet wells, valve vaults, force mains, electrical work and the earthwork required for wastewater pumping station renovation, including filling in below grade areas and voids resulting from demolition of structures, shall be in accordance with this Manual and as specified below.
- B. Completely fill in areas and voids resulting from demolition operations.
- C. Backfill and fill materials obtained off site shall be satisfactory soil materials, as defined in this Manual, free from debris, trash, frozen materials, roots and other organic matter, and stones larger than 2-inches in any dimension.
- D. Prior to placement of fill materials, ensure that areas to be filled are free of standing water, frost, frozen material, trash and debris.
- E. Place fill materials in horizontal layers not exceeding 6" in loose depth. Compact each layer at optimum moisture content of the fill material to a density equal to the original adjacent ground, unless subsequent excavation for new work is required.
- F. After fill placement and compaction, grade the surface to meet adjacent contours and to provide flow to surface drainage structures.

3-09 SITE CLEAN UP AND RESTORATION

- A. The site shall be cleaned up and restored to a condition superior to that prior to beginning construction. Clean up and restoration shall be in accordance with the General Conditions and as specified below.
- B. Restore items intended to remain that have been damaged during construction operations.

- C. Reconnect or restore all interrupted utility services to the condition existing prior to construction and disconnect and remove temporary services unless specified otherwise.
- D. Grading
 - 1. General: Uniformly grade areas within limits of site grading including adjacent transition areas. Smooth finished surfaces within specified tolerances, compact with uniform levels or slopes between points where elevations are shown, or between such points and existing grades. The degree of finish required will be that ordinarily obtainable from either blade-grader or scraper operations.
 - 2. Ditches: Finish ditches to ensure proper flow and drainage. Conduct final rolling operations to produce a hard, uniform and smooth cross-section.
 - 3. Lawn or Unpaved Areas: Finish areas to receive topsoil to within not more than 0.10 feet above or below the required sub-grade elevations, compacted as specified, and free from irregular surface changes.
- E. Protection of Graded Areas: Protect newly graded areas from traffic and erosion. Keep free of trash and debris. Repair and re-establish grades in settled, eroded, and rutted areas to the specified tolerances.
- F. Reconditioning Compacted Areas: Where completed compacted areas are disturbed by subsequent consequent construction operations or adverse weather, scarify the surface, re-shape and compact to the required density prior to further construction.
- G. Seed and mulch or solid sod all areas disturbed by construction in accordance with the Contract Documents and/or Department procedures listed herein.

3-10 START-UP AND TESTING

- A. All mechanical and electrical equipment furnished and installed for renovation of wastewater pumping stations shall be tested in normal operation to demonstrate: proper installation in strict accordance with equipment manufacturer's installation instruction; required pumping capacity and discharge pressure; proper alignment and adjustment; freedom from vibration, excessive noise and overheating; and proper operation of the pump control panel.
- B. The contractor will furnish the service of a factory trained representative of the pump and electrical panel manufacturer. The representative will check the pumps and electrical panel to ensure that they are properly installed and operable. The contractor shall have his representative and his electrical sub-contractor on site during start-up and testing procedures to assist the factory representative.
- C. All equipment shall be warranted against all defects for a period of 18 months after delivery or 12 months after system start-up, whichever expires first.

- D. All defects found in materials or equipment furnished by contractors, or defects found in equipment/materials furnished by the Owner as a result of improper handling or installation by the Contractor, shall be corrected by repair or replacement of damaged or faulty materials/equipment at no additional cost to Owner prior to final acceptance.

**CITY OF NAPLES
UTILITIES SPECIFICATIONS AND STANDARDS MANUAL**

SECTION 3

UTILITIES DETAIL DRAWINGS

GENERAL UTILITY DETAILS:

<u>Detail No.</u>	<u>Description</u>
U-01	Backfill - Limerock Road & Open Terrain
U-02	Backfill - Paved Roadways
U-03	Pipe Bedding & Backfill
U-04	Thrust Blocks No. 1
U-05	Thrust Blocks No. 2
U-06	Typical Encasement
U-07	Cross Over
U-08	Typical Conflict Crossing
U-09	Pipe Restraint Schedule
U-10	Jack & Bore Detail
U-11	Typical Horizontal Directional Drill Under A Roadway
U-12	Typical Subaqueous Horizontal Directional Drill
U-13	Subaqueous Main Valve Vault
U-14	Typical In-Line Valve (Water/Sewer/Reuse)
U-15	Valve Pad Detail
U-16	Sedimentation Control No. 1
U-17	Sedimentation Control No. 2
U-18	Line Terminus
U-19	2-Lane Local Street 60' Roadway
U-20	2-Lane Minor Collector 80' Roadway
U-21	4-Lane Major Collector 100' Roadway
U-22	2-Lane Minor Collector 100' Divided Highway
U-23	4-Lane Major Collector 120' Divided Highway
U-24	4-Lane Divided Arterial 120' Divided Roadway
U-25	Alley (20' Right of Way)
U-26	Alley (30' Right of Way)
U-27	Pipe Mount Wall Bracket

REUSE UTILITY DETAILS:

<u>Detail No.</u>	<u>Description</u>
R-01	Meter Setting Detail Irrigation or Reclaimed
R-02	Air Release Valve (Reclaimed Water)
R-03	Meter & Pressure Reducing Valve 3" & Larger-Irrigation or Reclaimed
R-04	Hose Bib for Reclaimed & Irrigation Water

WATER UTILITY DETAILS:

<u>Detail No.</u>	<u>Description</u>
W-01	¾" to 2" Reduced pressure Backflow Assembly
W-02	3" and Larger Domestic Meter Assembly
W-03	3" and Larger Combination Fire & Domestic Meter Assembly
W-04	4" and Larger Combination Fire & Domestic Meter Assembly
W-05	Temporary Backflow Preventers & Construction Tie-In Assembly
W-06	Temporary Water Service - Hottap & Jumper Meter Connection
W-07	Temporary Water Service - Fire Hydrant Connection
W-08	Fire System Detector Check Assembly
W-09	2" & 3" Fire System Detector Check Assembly w/o FH Downstream
W-10	Hydrant Detail
W-11	Hydrant Tees
W-12	Fire Hydrant Detail
W-13	Typical Meter Setting Detail
W-14	Multiple Meter Service Connections
W-15	Temporary Blowoff
W-16	Temporary Blowoff Hydrant
W-17	Air Release Valve Detail (Potable Water)
W-18	Main Ending & Sample Station
W-19	Master Series (Alt.) Fire System Detector Check
W-20	¾" to 2" Pressure Vacuum Breaker
W-21	3" & Larger Pipe Support Detail
W-22	Automatic Water Main Flushing Device

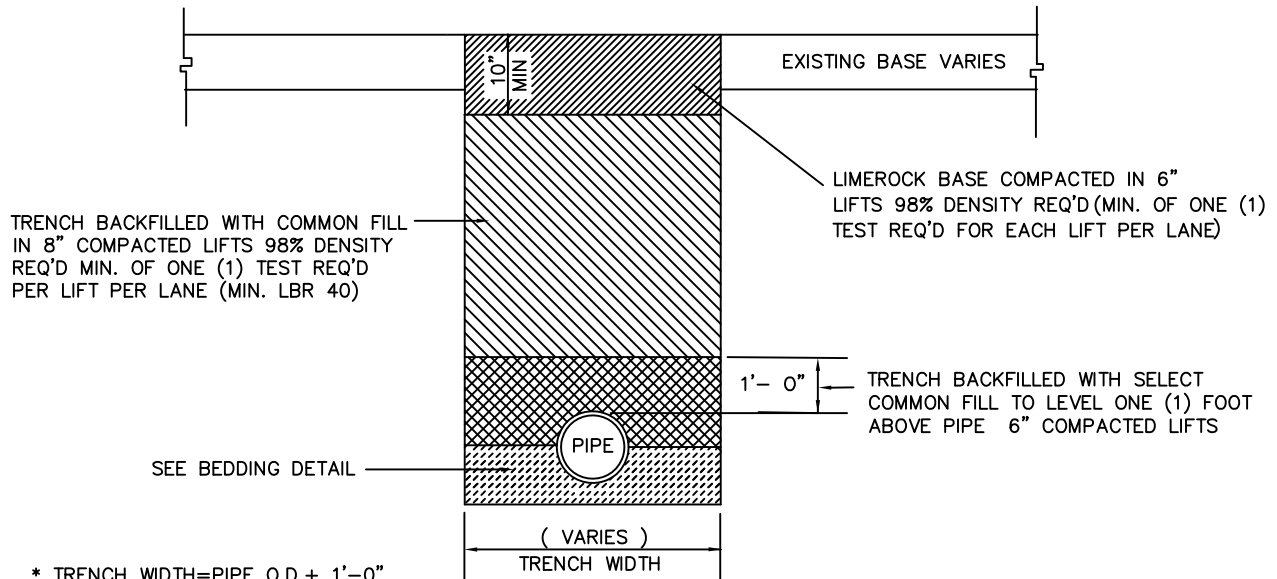
WASTEWATER UTILITY DETAILS:

<u>Detail No.</u>	<u>Description</u>
WW-01	Sewer Laterals
WW-02	Propoerty Line Cleanout
WW-03	Dead End Gravity Main & Connection to House or 6" Lateral
WW-04	Multi-Service Lateral/Cleanout
WW-05	Standard Pre-Cast Manholes
WW-06	Shallow Manhole
WW-07	Manhole Cut-In
WW-08	Drop Manhole
WW-09	Standard Manhole Cover
WW-10	Manhole at Line Intersections
WW-11	Air Release Valve (Sanitary)
WW-12	Grease Interceptor
WW-13	Typical Residential Sanitary Disposal System
WW-14	Private FM Connection to City FM
WW-15	Wastewater Pump Station Control Panel Mounting
WW-16	Wastewater Pump Station RTU Antenna Mounting
WW-17	Wastewater Pump Station Site Plan - Plan View
WW-18	Wastewater Pump Station Cross Section View
WW-19	Wastewater Pump Station Pump Station Sub0Details
WW-20	Wastewater Pump Station Notes & Specifications
WW-21	Wastewater Pump Station Water Service & Backflow Device
WW-22	Low Pressure Sanitary Sewer Simplex Grinder Pump Station

WASTEWATER UTILITY DETAILS:

<u>Detail No.</u>	<u>Description</u>
<u>230 VAC - 3 PH: 20HP & BELOW DUPLEX CONTROL PANEL</u>	
WW-23	Duplex Pump Control Panel Typical Dead Front Panel (230VAC/3PH: <=/=20HP)
WW-24	Duplex Pump Control Panel Typical Back Plate (230VAC/3PH: <=/=20HP)
WW-25	Duplex Pump Control Panel Power/Control Wiring Layout1 (230VAC/3PH: <=/=20HP)
WW-26	Duplex Pump Control Panel Power/Control Wiring Layout2 (230VAC/3PH: <=/=20HP)
WW-27	Duplex Pump Control Panel RTU Interface Terminal Detail (230VAC/3PH: <=/=20HP)
WW-28	Duplex Pump Control J-Box Backplate Layout (230VAC/3PH: <=/=20HP)
WW-29	Duplex Pump Control Schedule of Materials (230VAC/3PH: <=/=20HP)
WW-30	Duplex Pump Control Panel Notes (230VAC/3PH: <=/=20HP)
WW-31	Duplex Pump Control Panel Labeling Details (230VAC/3PH: <=/=20HP)
<u>460 VAC - 3 PH: DUPLEX CONTROL PANEL</u>	
WW-32	Duplex Pump Control Panel Typical Dead Front Panel (460VAC/3PH)
WW-33	Duplex Pump Control Panel Typical Back Plate (460VAC/3PH)
WW-34	Duplex Pump Control Panel Power/Control Wiring Layout1 (460VAC/3PH)
WW-35	Duplex Pump Control Panel Power/Control Wiring Layout2 (460VAC/3PH)
WW-36	Duplex Pump Control Panel RTU Interface Terminal Detail (460VAC/3PH)
WW-37	Duplex Pump Control J-Box Backplate Layout (460VAC/3PH)
WW-38	Duplex Pump Control Schedule of Materials (460VAC/3PH)
WW-39	Duplex Pump Control Panel Notes (460VAC/3PH)
WW-40	Duplex Pump Control Panel Labeling Details (460VAC/3PH)
<u>220 VAC - 1 PH: DUPLEX CONTROL PANEL</u>	
WW- 41	Duplex Pump Control Panel Typical Dead Front Panel (220VAC/1PH)
WW- 42	Duplex Pump Control Panel Typical Back Plate (220VAC/1PH)
WW- 43	Duplex Pump Control Panel Power/Control Wiring Layout1 (220VAC/1PH)
WW- 44	Duplex Pump Control Panel Power/Control Wiring Layout2 (220VAC/1PH)
WW- 45	Duplex Pump Control Panel RTU Interface Terminal Detail (220VAC/1PH)
WW- 46	Duplex Pump Control J-Box Backplate Layout (220VAC/1PH)
WW- 47	Duplex Pump Control Schedule of Materials (220VAC/1PH)
WW- 48	Duplex Pump Control Panel Notes (220VAC/1PH)
WW- 49	Duplex Pump Control Panel Labeling Details (220VAC/1PH)
<u>460 VAC - 3 PH: TRIPLEX CONTROL PANEL</u>	
WW-50	Triplex Pump Control Panel Typical Dead Front Panel (460VAC/3PH)
WW-51	Triplex Pump Control Panel Typical Back Plate (460VAC/3PH)
WW-52	Triplex Pump Control Panel Power Wiring Layout (460VAC/3PH)
WW-53	Triplex Pump Control Panel Control Wiring Layout1 (460VAC/3PH)
WW-54	Triplex Pump Control Panel Control Wiring Layout2 (460VAC/3PH)
WW-55	Triplex Pump Control Panel RTU Interface Terminal Detail (460VAC/3PH)
WW-56	Triplex Pump Control J-Box Backplate Layout (460VAC/3PH)
WW-57	Triplex Pump Control Schedule of Materials (460VAC/3PH)
WW-58	Triplex Pump Control Panel Notes (460VAC/3PH)
WW-59	Triplex Pump Control Panel Labeling Details (460VAC/3PH)

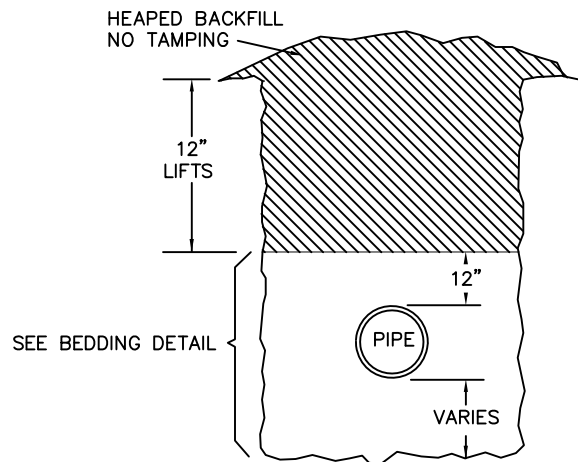
FOR:	UTILITIES ENGINEERING DIVISION	CITY OF NAPLES
DATE: NOV. 2011	INDEX OF DETAILS	
DRAWN: JAF		
SCALE: N.T.S.	380 RIVERSIDE CIRCLE, NAPLES, FLORIDA, 34102	SHEET: INDEX
		DIR: DETAIL DWGS
		DWG. INDEX.DWG



* TRENCH WIDTH=PIPE O.D.+ 1'-0"
OR 36" WHICHEVER IS GREATER.

LIMEROCK ROAD

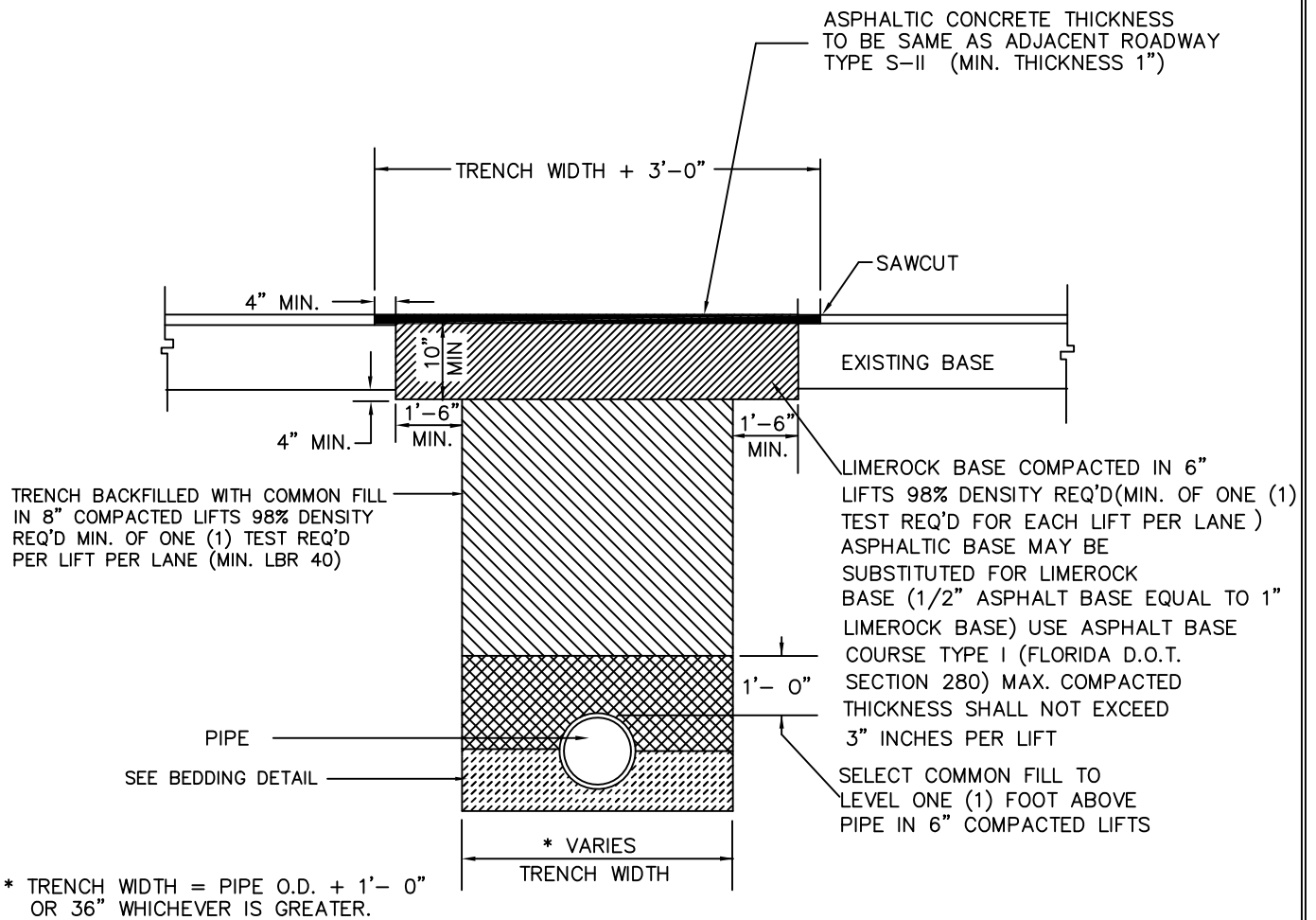
- NOTES: 1) ALL PROCTOR AND DENSITY TESTS SHALL BE TAKEN BY A CERTIFIED LABORATORY
- 2) ALL TESTS SHALL BE COMPLETED AND MEET MINIMUM DENSITY REQUIREMENTS PRIOR TO ADDITIONAL BACK-FILLING
- 3) ALL BACKFILL MATERIAL REQUIRES APPROVAL BY PROJECT ENGINEER



OPEN TERRAIN

THIS DETAIL CONSTITUTES
MINIMUM STANDARDS. DESIGN
ENGINEERS SHALL PROVIDE
STANDARDS EQUAL TO OR
GREATER THAN THESE.

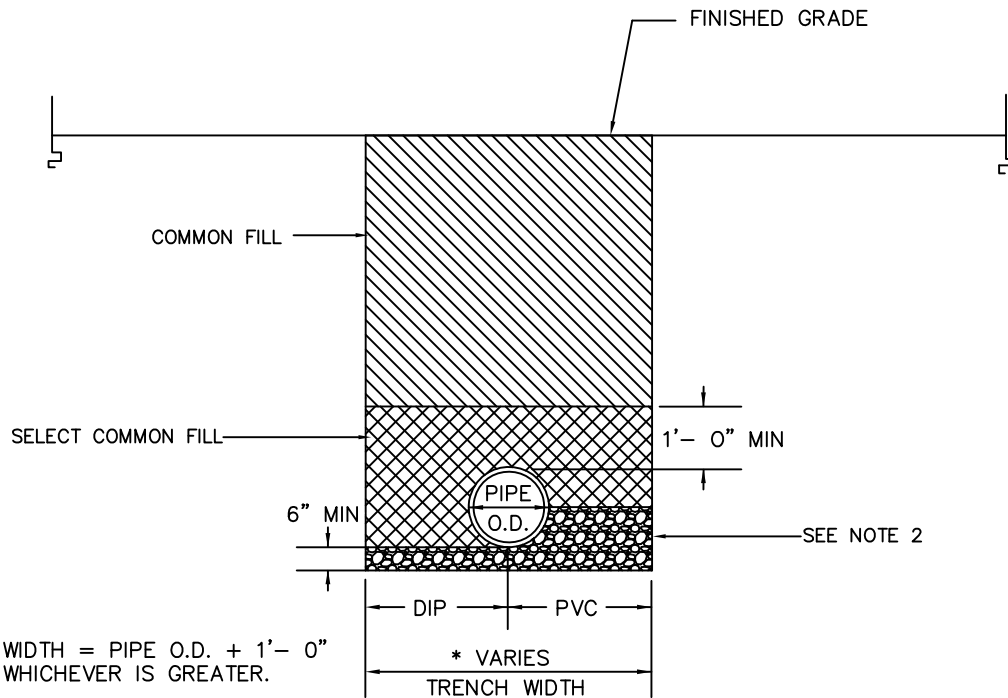
FOR:	UTILITIES ENGINEERING DIVISION	CITY OF NAPLES
DATE: SEPT 2010	BACKFILL - LIMEROCK ROAD & OPEN TERRAIN	SHEET: U-01
DRAWN: JAF		DIR: UTILITIES
SCALE: N.T.S.	380 RIVERSIDE CIRCLE, NAPLES, FLORIDA, 34102	DWG. U-01.DWG



- NOTES: 1) ALL PROCTOR AND DENSITY TESTS SHALL BE TAKEN BY A CERTIFIED LABORATORY
- 2) ALL TESTS SHALL BE COMPLETED AND MEET MINIMUM DENSITY REQUIREMENTS PRIOR TO ADDITIONAL BACK-FILLING
- 3) ORDINANCE 82-91 REQUIRES A R.O.W. PERMIT FOR ALL WORK WITHIN PUBLIC ROADS. THE R.O.W. PERMIT REQUIREMENTS SHALL SUPERSEDE THIS DETAIL.

THIS DETAIL CONSTITUTES
MINIMUM STANDARDS. DESIGN
ENGINEERS SHALL PROVIDE
STANDARDS EQUAL TO OR
GREATER THAN THESE.

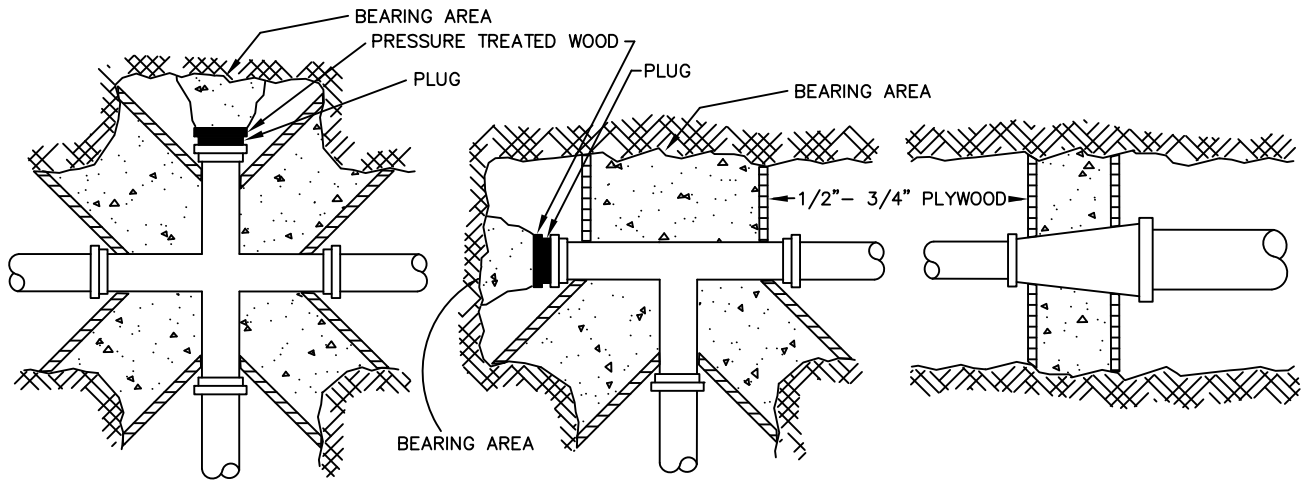
FOR:	UTILITIES ENGINEERING DIVISION	CITY OF NAPLES
DATE: SEPT 2010	<i>BACKFILL - PAVED ROADWAYS</i>	SHEET: U-02
DRAWN: JAF		DIR: UTILITIES
SCALE: N.T.S.	380 RIVERSIDE CIRCLE, NAPLES, FL. 34102	DWG. U-02.DWG



- NOTES: 1) COMMON FILL SHALL BE COMPACTED TO MATCH CRITERIA PROVIDED IN BACKFILL DETAILS FOR PAVED AND UNPAVED LOCATIONS RESPECTIVELY.
- 2) BEDDING MATERIAL SHALL BE FDOT #57 STONE IF BELOW THE SEASONAL LOW GROUNDWATER TABLE, OR FDOT #89 STONE, FDOT #131 OR #132 SCREENING IF ABOVE THE SEASONAL LOW GROUNDWATER TABLE.
- 3) ORDINANCE 82-91 REQUIRES A R.O.W. PERMIT FOR ALL WORK WITHIN PUBLIC ROADS. THE R.O.W. PERMIT REQUIREMENTS SHALL SUPERSEDE THIS DETAIL.

THIS DETAIL CONSTITUTES
MINIMUM STANDARDS. DESIGN
ENGINEERS SHALL PROVIDE
STANDARDS EQUAL TO OR
GREATER THAN THESE.

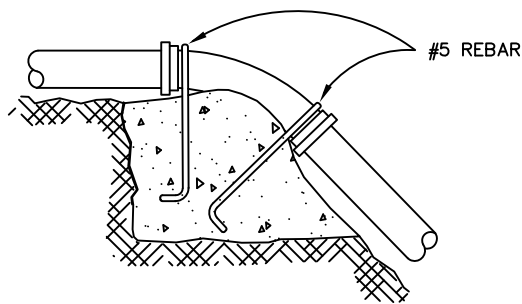
FOR:	UTILITIES ENGINEERING DIVISION	CITY OF NAPLES
DATE: SEPT 2010	<i>PIPE BEDDING & BACKFILL</i>	SHEET: U-03
DRAWN: JAF		DIR: UTILITIES
SCALE: N.T.S.	380 RIVERSIDE CIRCLE, NAPLES, FL. 34102	DWG. U-03.DWG



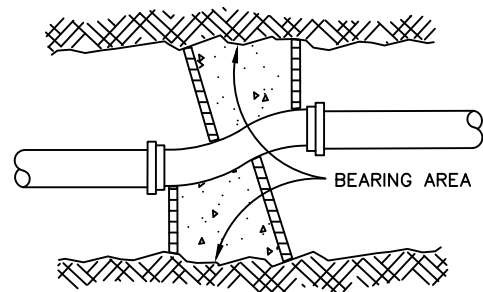
CROSS TEE WITH PLUG

TAPPED TEE WITH PLUG

REDUCERS



VERTICAL BEND



OFFSET

MINIMUM BEARING AREAS IN SQUARE FEET FOR THRUST BLOCKS

PIPE SIZE	TEES	90 BEND	45 BEND	22 1/2 BEND	VALVES & PLUGS
4"	1	1	1	1	1
6"	3	4	2	1	3
8"	5	7	4	2	5
10"	8	12	6	3	9
12"	12	16	9	5	12
16"	16	20	12	7	16
20"	24	20	17	10	24
24"	34	34	24	13	34

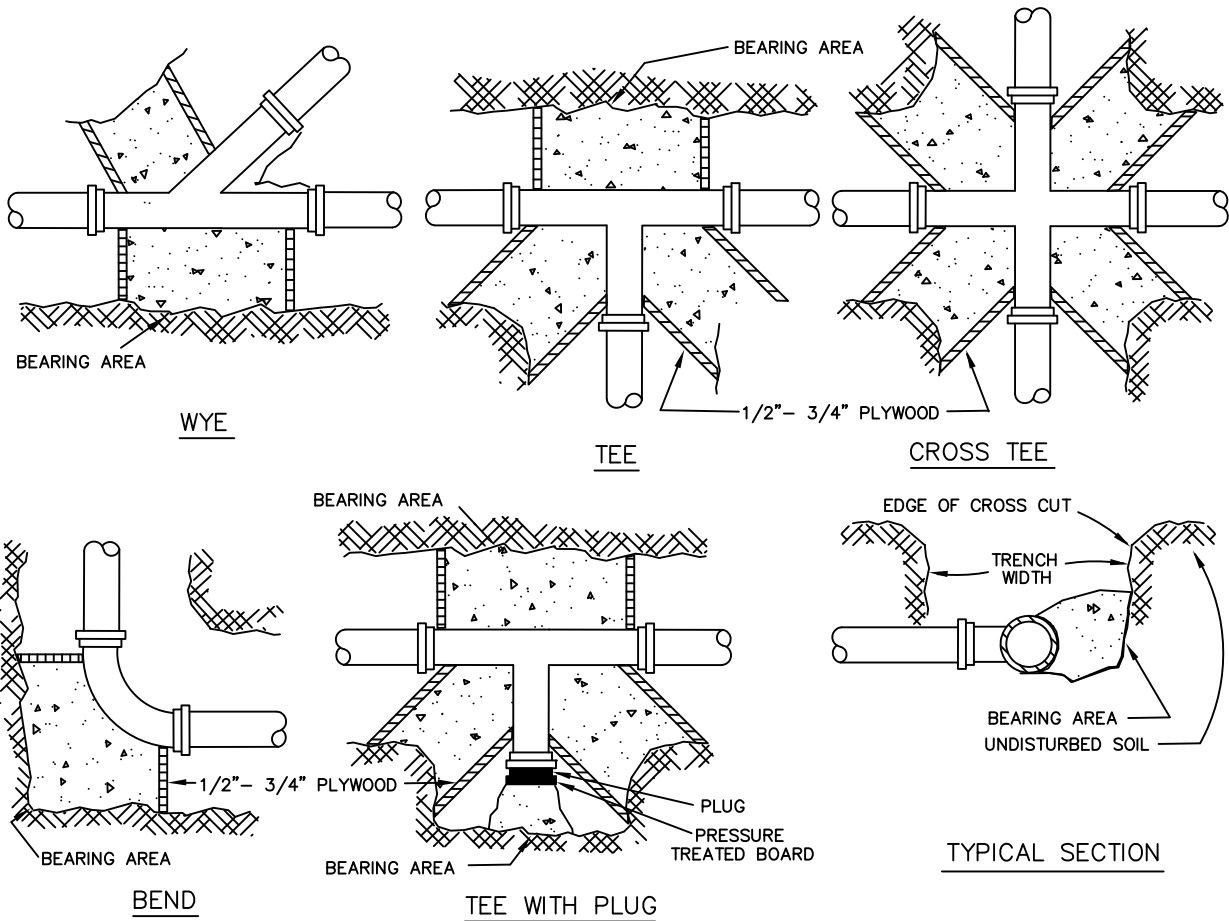
TYPICAL THRUST BLOCKS

NOTES:

1. ON BENDS AND TEES, EXTEND THRUST BLOCKS FULL LENGTH.
2. PLACE BOARD IN FRONT OF ALL PLUGS BEFORE POURING THRUST BLOCKS.
3. POUR THRUST BLOCKS AGAINST UNDISTURBED SOIL WHERE TRENCH WALL HAS BEEN DISTURBED, EXCAVATE LOOSE SOIL AND EXTEND THRUST BLOCK TO UNDISTURBED SOIL.
4. IN BACK FILLING, ANY MUCK ENCOUNTERED SHALL BE REMOVED AND REPLACED WITH ACCEPTABLE MATERIAL.
5. BACK FILL MATERIAL SHALL NOT INCLUDE ROCK OR BOULDERS.
6. THRUST BLOCK AREAS BASED ON SOIL BEARING LOAD OF 2000 P. S. F. AND LINE PRESSURE OF 150 P. S. I. .
7. ALL CONCRETE SHALL BE MINIMUM 2000 PSI

THIS DETAIL CONSTITUTES
MINIMUM STANDARDS. DESIGN
ENGINEERS SHALL PROVIDE
STANDARDS EQUAL TO OR
GREATER THAN THESE.

FOR:	UTILITIES ENGINEERING DIVISION	CITY OF NAPLES
DATE: SEPT 2010	THRUST BLOCKS NO. 1	SHEET: U-04
DRAWN: TWS		DIR: UTILSTDS
SCALE: N.T.S.	380 RIVERSIDE CIRCLE, NAPLES, FL. 34102	DWG. U-04.DWG



MINIMUM BEARING AREAS IN SQUARE FEET FOR THRUST BLOCKS

PIPE SIZE	TEES	90° BEND	45° BEND	22 1/2° BEND	VALVES & PLUGS
4"	1	1	1	1	1
6"	3	4	2	1	3
8"	5	7	4	2	5
10"	8	12	6	3	9
12"	12	16	9	5	12
16"	16	20	12	7	16
20"	24	20	17	10	24
24"	34	34	24	13	34

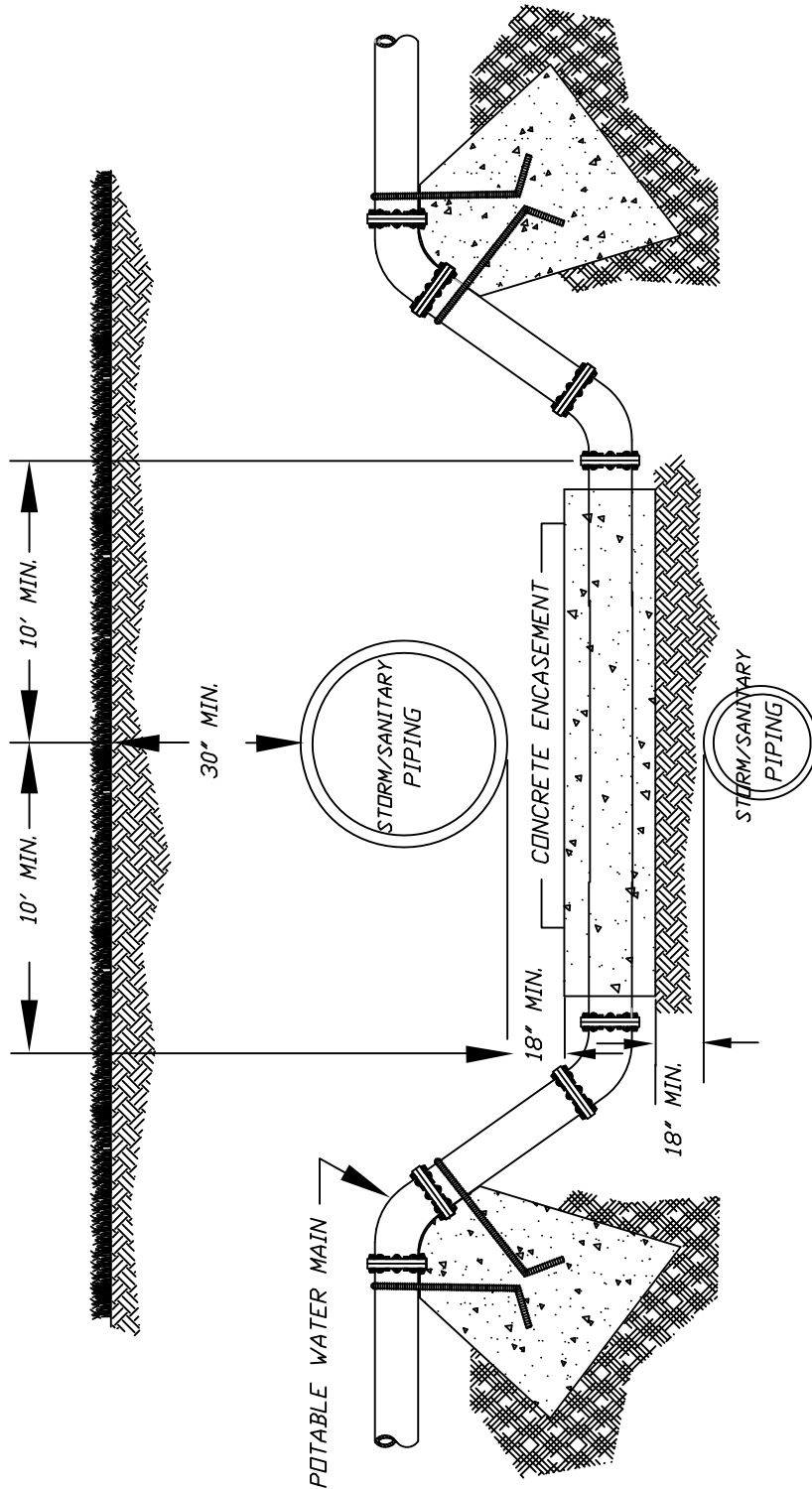
TYPICAL THRUST BLOCKS

NOTES:

- ON BENDS AND TEES, EXTEND THRUST BLOCKS FULL LENGTH.
- PLACE BOARD IN FRONT OF ALL PLUGS BEFORE POURING THRUST BLOCKS.
- POUR THRUST BLOCKS AGAINST UNDISTURBED SOIL WHERE TRENCH WALL HAS BEEN DISTURBED, EXCAVATE LOOSE SOIL AND EXTEND THRUST BLOCKS TO UNDISTURBED SOIL.
- IN BACK FILLING, ANY MUCK ENCOUNTERED SHALL BE REMOVED AND REPLACED WITH ACCEPTABLE MATERIAL.
- BACK FILL MATERIAL SHALL NOT INCLUDE ROCK OR BOULDERS.
- THRUST BLOCK AREAS BASED ON SOIL BEARING LOAD OF 2000 P. S. F. AND LINE PRESSURE OF 150 P. S. I. .
- ALL CONCRETE SHALL BE MINIMUM 2000 PSI

THIS DETAIL CONSTITUTES MINIMUM STANDARDS. DESIGN ENGINEERS SHALL PROVIDE STANDARDS EQUAL TO OR GREATER THAN THESE.

FOR:	UTILITIES ENGINEERING DIVISION	CITY OF NAPLES
DATE: SEPT 2010	THRUST BLOCKS NO. 2	SHEET: U-05.
DRAWN: TWS		DIR: UTILSTDS
SCALE: N.T.S.	380 RIVERSIDE CIRCLE, NAPLES, FL. 34102	DWG. U-05.DWG

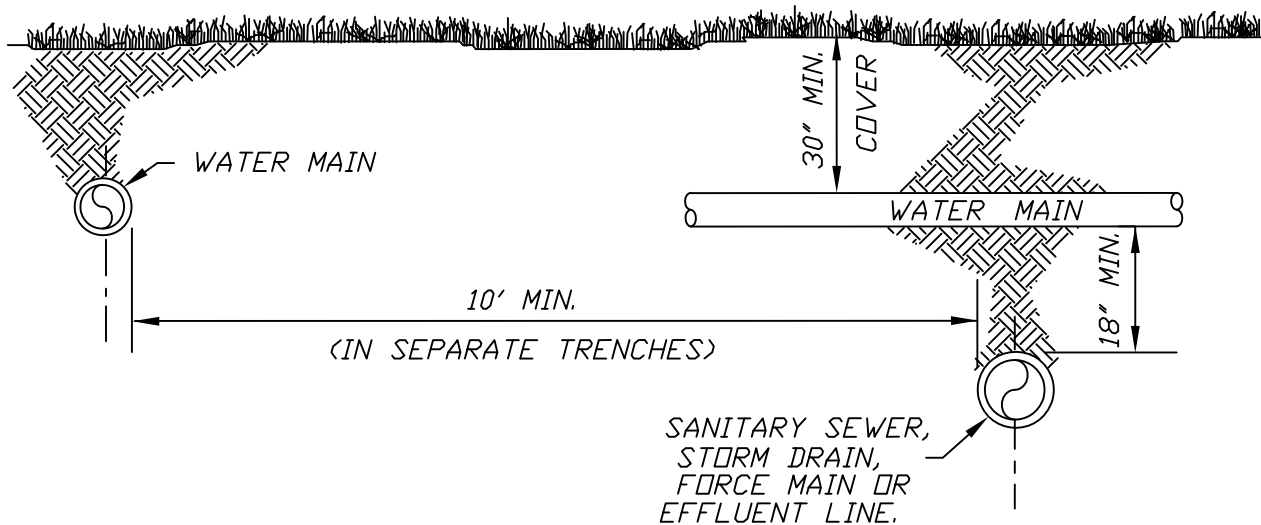


THIS DETAIL CONSTITUTES
 MINIMUM STANDARDS. DESIGN
 ENGINEERS SHALL PROVIDE
 STANDARDS EQUAL TO OR
 GREATER THAN THESE.

NOTE:

- CONCRETE ENCASEMENT shall be totally encased with "Fiber Mesh" 3000psi concrete mix and two 5/8" re-bar embedded longitudinally 6" less than encasement length. Concrete shall encapsulate the pipe extending no less than 8" out from the periphery, or as required by the City Engineer.
- SUPPORT STRUCTURES shall be mandatory when excavation undermines any infrastructure. Special compaction requirements may be required by the City engineer.
- COMPACTION of soils shall conform to AWWA C600-93 and D.D.T. requirements.

FOR:	UTILITIES ENGINEERING DIVISION	CITY OF NAPLES
DATE: SEPT 2010	<i>TYPICAL ENCASEMENT</i>	SHEET: U-06
DRAWN: TWS		DIR: UTILSTDS
SCALE: N.T.S.	380 RIVERSIDE CIRCLE, NAPLES, FL. 34102	DWG. U-06.DWG



NOTES:

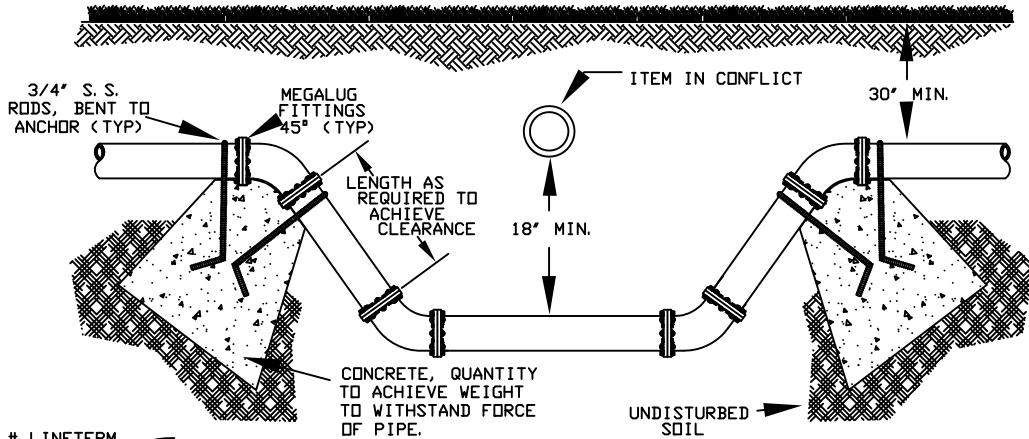
SANITARY SEWER LINES OR FORCE MAINS SHALL BE SEPARATED FROM WATER MAINS BY A MINIMUM CLEAR VERTICAL DISTANCE OF 18" AND A HORIZONTAL DISTANCE OF 10'-0". ALL CROSSING WITH VERTICAL CLEARANCE LESS THAN 18" SHALL BE MADE USING THICKNESS CLASS 200 AWWA C-900 P.V.C. OR DUCTILE IRON, CLASS 350 PIPE FOR DISTANCE OF 10' EACH SIDE OF THE CROSSING AND SEWER SHALL BE CONCRETE ENCASED.

18" CLEAR DISTANCE SHALL NOT BE REDUCED IN CASES WHERE WATER MAIN CROSSES UNDER SEWER LINE.

VERTICAL CLEARANCE LESS THAN 12" SHALL NOT BE ALLOWED, UNLESS APPROVED BY THE CITY ENGINEER

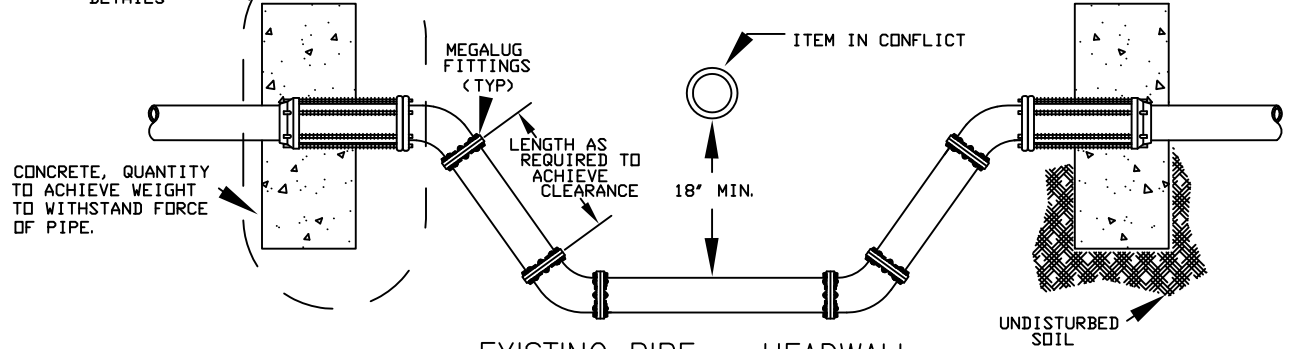
THIS DETAIL CONSTITUTES
MINIMUM STANDARDS. DESIGN
ENGINEERS SHALL PROVIDE
STANDARDS EQUAL TO OR
GREATER THAN THESE.

FOR:	UTILITIES ENGINEERING DIVISION	CITY OF NAPLES
DATE: SEPT 2010	<i>CROSS OVER</i>	SHEET: U-07
DRAWN: TWS		DIR: UTILSTDS
SCALE: N.T.S.	380 RIVERSIDE CIRCLE, NAPLES, FL. 34102	DWG. U-07.DWG

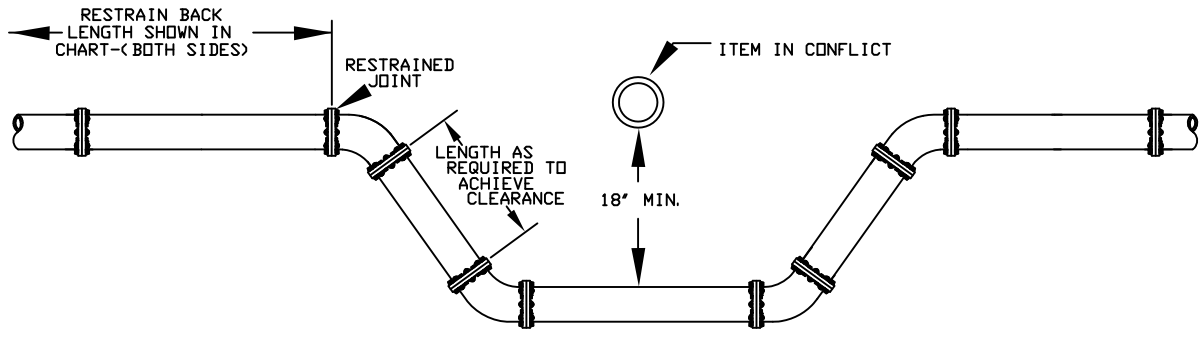


EXISTING PIPE - THRUST BLOCKS

SEE DRAWING # LINETERM FOR HEADWALL CONSTRUCTION DETAILS



EXISTING PIPE - HEADWALL



NEW PIPE - RESTRAINED JOINT

*RESTRAINED JOINT PIPE DISTANCES FOR NEW PIPE (IN FEET)				
PIPE SIZE	90° BEND	45° BEND	22 1/2° BEND	11 1/4° BEND
8"	74	31	15	7
10"	87	36	17	9
12"	100	41	20	10
16"	123	51	24	12
20"	143	59	29	14
24"	162	67	32	16
30"	184	76	37	18
36"	207	86	41	20

THIS DETAIL CONSTITUTES MINIMUM STANDARDS. DESIGN ENGINEERS SHALL PROVIDE STANDARDS EQUAL TO OR GREATER THAN THESE.

*FOR FITTINGS NOT SHOWN HERE, REFER TO PIPE RESTRAINT DETAIL DRAWING

FOR:	UTILITIES ENGINEERING DIVISION	CITY OF NAPLES
DATE: SEPT 2010	TYPICAL CONFLICT CROSSING	SHEET: U-08
DRAWN: TWS		DIR: UTILSTDS
SCALE: N.T.S.	380 RIVERSIDE CIRCLE, NAPLES, FL. 34102	DWG. U-08.DWG

PIPE SIZE IN INCHES	RESTRAINED PIPE LENGTH IN FEET (1)						
	HORIZONTAL BENDS				DEAD ENDS (2)	45° VERTICAL BENDS	
	90°	45°	22-1/2°	11-1/4°		UPPER	LOWER
4	23	9	5	2	55	23	8
6	32	13	6	3	77	32	11
8	74	31	15	7	100	41	14
10	87	36	17	9	120	50	17
12	100	41	20	10	141	58	20
16	123	51	24	12	181	75	25
18	133	55	27	13	200	83	28
20	143	59	29	14	218	90	30
24	162	67	32	16	253	105	35
30	184	76	37	18	303	125	41
36	207	86	41	20	350	145	47

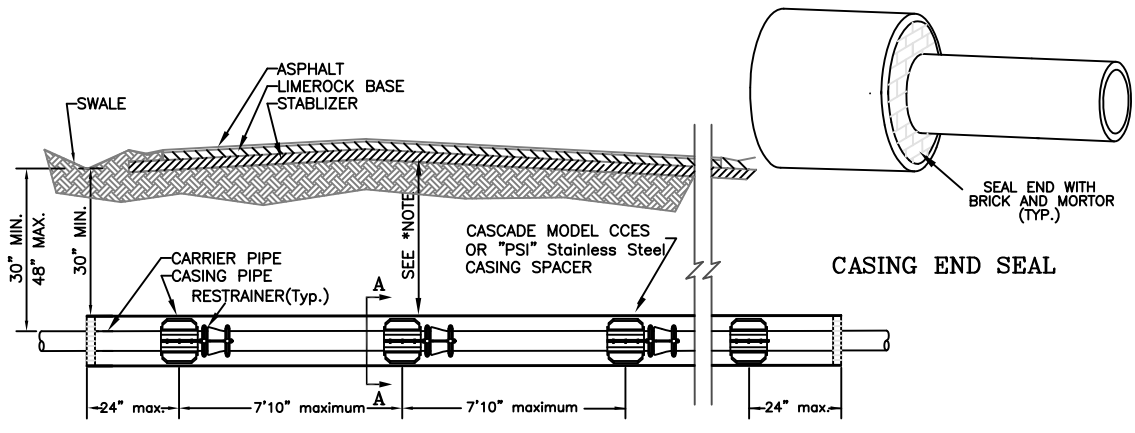
PIPE SIZE IN INCHES	RESTRAINED PIPE LENGTH IN FEET (1)	
	TEE (3)	REDUCER (4)
6 x 4	0	40
6 x 6	34	
8 x 4	0	72
8 x 8	55	
10 x 6	3	74
10 x 10	75	
12 x 4	0	122
12 x 8	31	75
12 x 12	95	
16 x 6	0	153
16 x 10	44	107
16 x 16	134	
18 x 8	0	157
18 x 12	68	108
18 x 18	152	
20 x 10	20	161
20 x 16	120	77
20 x 20	170	
24 x 12	37	187
24 x 18	132	109
24 x 24	204	
30 x 16	78	213
30 x 20	138	165
30 x 30	252	
36 x 18	84	259
36 x 24	170	191
36 x 36	298	

NOTES:

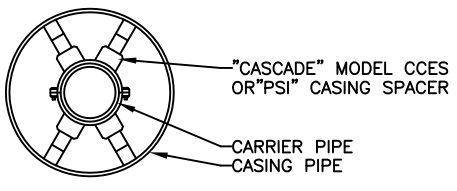
1. RESTRAIN ALL PIPE JOINTS WITHIN THE DISTANCE SHOWN ON THE TABLES MEASURED FROM THE POINT OF CONNECTION.
2. ISOLATION VALVES SHALL BE TREATED AS DEAD ENDS. WITH RESTRAINT ON BOTH SIDES OF THE VALVE.
3. RESTRAINT IS FOR BRANCH OF TEE. IF BRANCH SIZE IS NOT ON TABLE, USE NEXT LARGEST BRANCH.
4. RESTRAINT IS FOR LARGE DIAMETER SIDE OF REDUCER. IF REDUCER SIZE IS NOT ON TABLE, USE NEXT SMALLER REDUCER (SMALL END).
5. THIS SCHEDULE IS TO BE USED FOR DUCTILE IRON AND PVC PIPE.

THIS DETAIL CONSTITUTES
MINIMUM STANDARDS. DESIGN
ENGINEERS SHALL PROVIDE
STANDARDS EQUAL TO OR
GREATER THAN THESE.

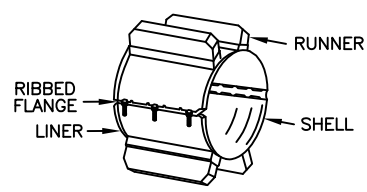
FOR:	UTILITIES ENGINEERING DIVISION	CITY OF NAPLES
DATE: SEPT 2010	PIPE RESTRAINT SCHEDULE	SHEET: U-09
DRAWN: TWS		DIR: UTILSTDS
SCALE: N.T.S.	380 RIVERSIDE CIRCLE, NAPLES, FL. 34102	DWG. U-09.DWG



***NOTE:**
 UNDERGROUND CROSSINGS REQUIRE A MINIMUM VERTICLE CLEARANCE OF 48" BELOW PAVEMENT SURFACE FOR FREEWAYS, 36" FOR OTHER HIGHWAYS OR 30" BELOW UNPAVED GROUND INCLUDING DITCH GRADE PER F.D.O.T.



SECTION "A-A"



SPACER

STAINLESS STEEL SPACERS

SPACERS SHALL BE BOLT-ON STYLE WITH A TWO PIECE SOLID SHELL OR A MINIMUM 14 GA. MILD STEEL THICKNESS. THE SHELL SHALL BE LINED WITH A RIBBED PVC SHEET OF 0.090" THICKNESS THAT OVERLAPS THE EDGES. RUNNERS MADE FROM UHMW POLYMER, SHALL BE ATTACHED TO RISERS AT APPROPRIATE POSITIONS TO PROPERLY LOCATE THE CARRIER WITHIN THE CASING AND TO EASE INSTALLATION. RISERS SHALL BE MADE FROM A MINIMUM 14GA MILD STEEL THICKNESS AND SHALL BE ATTACHED TO THE SHELL BY ELECT. WELDING. ALL WELDS SHALL BE FULLY PASSIVATED. ALL FASTENERS SHALL BE MADE FROM A MINIMUM 14GA. MILD STEEL. CASING SPACERS SHALL BE MODEL CCS AS MANUFACTURED BY "CASCADE" (Cascade Water Works Mfg. Company of Yorkville Ill.), or "PSI"(Pipeline Seal & Insulator, Inc., Houston, Texas.)

PLACEMENT OF SPACERS ON CARRIER PIPE

- 1) GENERAL- ONE SPACER SHALL BE PLACED NOT MORE THAN TWO FEET FROM EACH END OF CASING. SUBSEQUENT SPACERS SHALL BE PLACED AT 6'-10" INTERVALS WITHIN THE CASING, OR IN ACCORDANCE WITH PIPE MANUFACTURER'S RECOMMENDATIONS.
- 2) PVC CARRIER- ONE SPACER SHALL BE PLACED ON THE SPIGOT END OF EACH SEGMENT AT THE LINE MARKING THE LIMIT OF INSERTION INTO THE BELL. WHEN THE JOINT IS COMPLETE, THE SPACER SHALL BE IN CONTACT WITH THE BELL OF THE JOINT SO THAT THE SPACER PUSHES THE JOINT AND RELIEVES COMPRESSION WITHIN THE JOINT. SUBSEQUENT SPACERS SHALL BE PLACED AT 6'-0" INTERVALS, OR IN ACCORDANCE WITH MANUFACTURER'S RECOMMENDATIONS.

STANDARD NO. OF RUNNER REQ'D.

UP TO 14" CARRIER PIPE - 4 REQ'D.
 OVER 14" THROUGH 36" CARRIER PIPE - 6 REQ'D.
 OVER 36" THROUGH 48" CARRIER PIPE - 7 REQ'D.

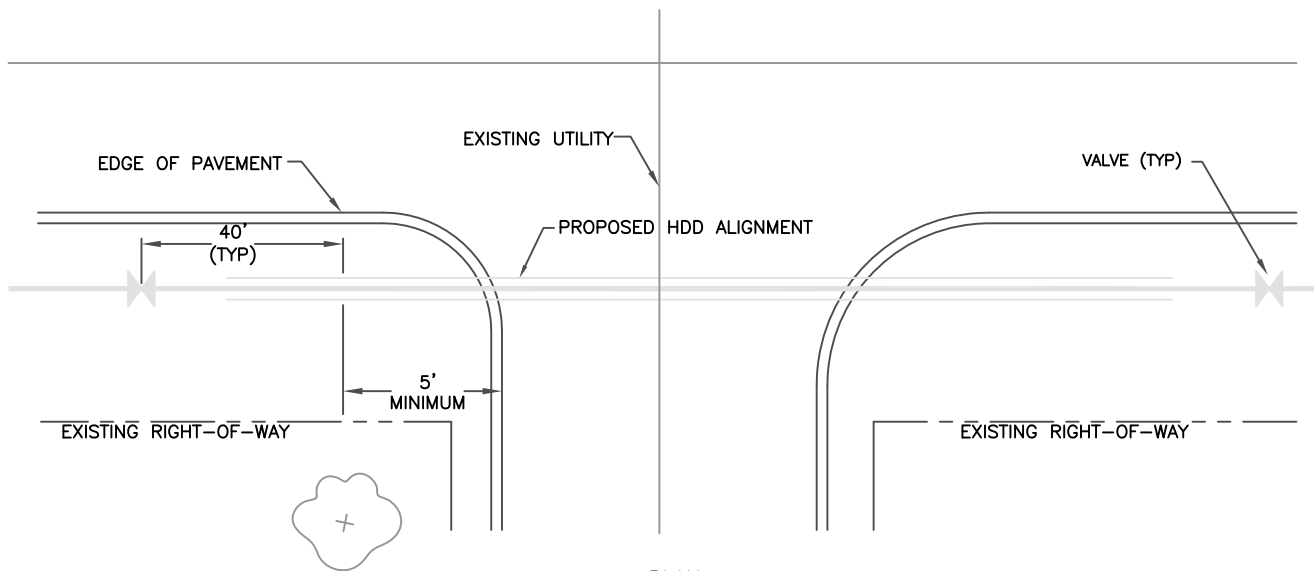
CARRIER PIPE DIA. (IN.)	CASING O.D. (IN.)	MIN. STDS. HIGHWAY & RAILWAY THICKNESS (IN.)	INTERSTATE & RAILWAY THICKNESS (IN.)
2	4	3/16"	1/4"
4	14	1/4"	5/16"
6	16	1/4"	5/16"
8	18	1/4"	3/8"
10	20	1/4"	3/8"
12	24	1/4"	7/16"
14	30	5/16"	1/2"
16	30	5/16"	1/2"
18	36	3/8"	9/16"
20	36	3/8"	9/16"
24	42	1/2"	9/16"
30	42	1/2"	9/16"
36	48	1/2"	9/16"

CARRIER PIPE

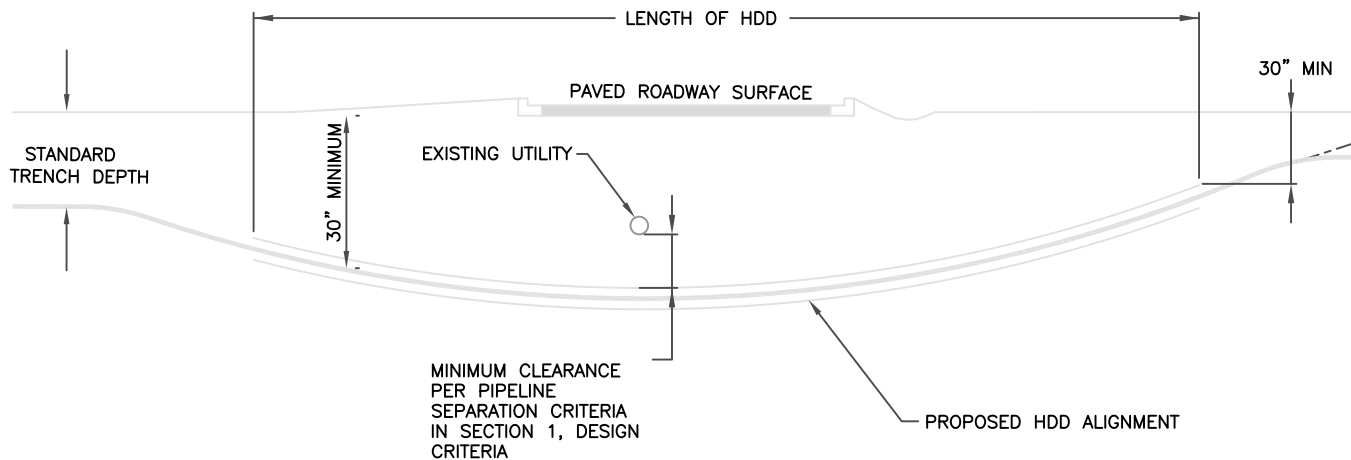
CARRIER PIPE SHALL BE CENTERED WITHIN CASING BY USE OF MODEL CCS STAINLESS STEEL CASING SPACERS AS MANUFACTURED BY CASCADE WATER WORKS MFG. COMPANY OR APPROVED EQUAL. SPACERS FOR PIPES OVER 48" MAY REQUIRE THREE PIECE SHELLS. SHELL CONNECTORS ABOVE 48" WILL BE RECEIVER BAR/ WASHER PLATE TYPE.

THIS DETAIL CONSTITUTES MINIMUM STANDARDS. DESIGN ENGINEERS SHALL PROVIDE STANDARDS EQUAL TO OR GREATER THAN THESE.

FOR:	UTILITIES ENGINEERING DIVISION	CITY OF NAPLES
DATE: SEPT 2010	JACK & BORE DETAIL	SHEET: U-10
DRAWN: TWS		DIR: UTILSTDS
SCALE: N.T.S.	380 RIVERSIDE CIRCLE, NAPLES, FL. 34102	DWG. U-10.DWG



PLAN
HORIZONTAL MINIMUM CLEARANCES



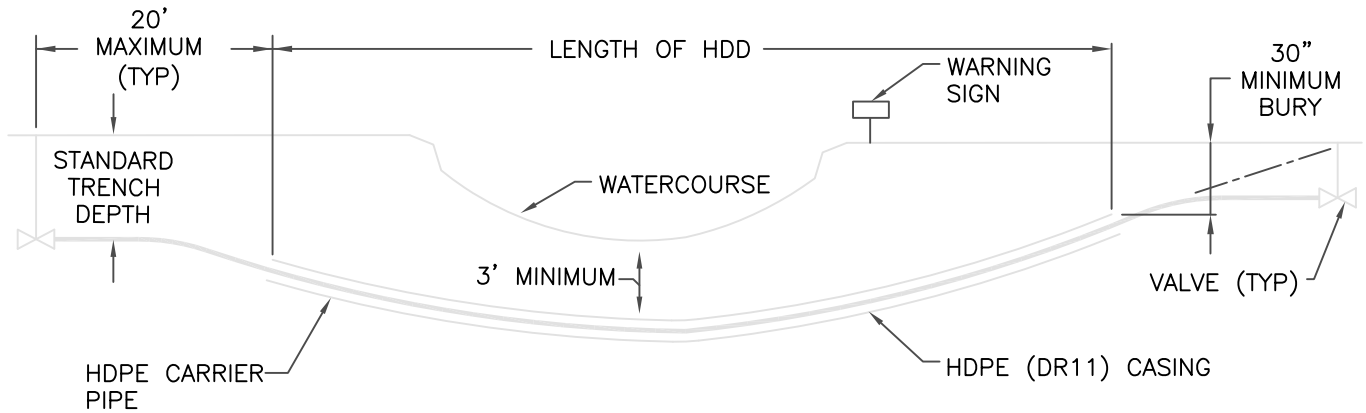
PROFILE
VERTICAL MINIMUM CLEARANCES

HDD INSTALLATION NOTES:

1. ALL WORK SHALL BE IN ACCORDANCE WITH SECTIONS 1 AND 02300 OF THE COLLIER COUNTY UTILITIES STANDARDS MANUAL.
2. ALL HDD INSTALLATION ACTIVITIES SHALL BE IN ACCORDANCE WITH THE FLORIDA D.O.T. UTILITY ACCOMMODATIONS MANUAL AND THE CITY UTILITIES STANDARDS.
3. THE CONTRACTOR SHALL BE RESPONSIBLE FOR NOTIFICATION OF AFFECTED AGENCIES AND COORDINATION WITH ALL UTILITIES PRIOR TO CONSTRUCTION.
4. ALL CONSTRUCTION MATERIALS, INCLUDING DRILLING FLUID, SHALL BE REMOVED FROM THE SITE PRIOR TO RESTORATION OF DISTURBED AREAS.
5. ALL RESTORATION WORK SHALL BE IN ACCORDANCE WITH THE CITY UTILITIES STANDARD MANUAL.
6. EXCAVATIONS SHALL BE RESTORED IN ACCORDANCE WITH THE CITY UTILITIES STANDARD MANUAL AND STANDARD DETAILS.
7. CASING DIAMETER SHALL BE IN ACCORDANCE WITH THE TECHNICAL SPECIFICATIONS.
8. NO SPACERS REQUIRED.
9. ALLOW 40' BETWEEN VALVE AND END OF CASING. DISTANCE LESS THAN 40' REQUIRES APPROVAL OF DEVIATION. THE 40' LENGTH SHALL NOT INCLUDE BRANCHES/TEES IN THE PIPING BETWEEN VALVE AND END OF CASING.
10. VALVES AT EACH END OF THE HDD AND CASING FOR THE HDD ARE REQUIRED FOR NUMBERED COUNTY ROADS, STATE ROADS AND AT INTERSECTIONS WITH NUMBERED COUNTY ROADS AND STATE ROADS.

THIS DETAIL CONSTITUTES MINIMUM STANDARDS. DESIGN ENGINEERS SHALL PROVIDE STANDARDS EQUAL TO OR GREATER THAN THESE.

FOR:	UTILITIES ENGINEERING DIVISION	CITY OF NAPLES
DATE: SEPT 2010	TYPICAL HORIZONTAL DIRECTIONAL	SHEET: U-11
DRAWN: TWS	DRILL UNDER A ROADWAY	DIR: UTILSTDS
SCALE: N.T.S.	380 RIVERSIDE CIRCLE, NAPLES, FL. 34102	DWG. U-11.DWG



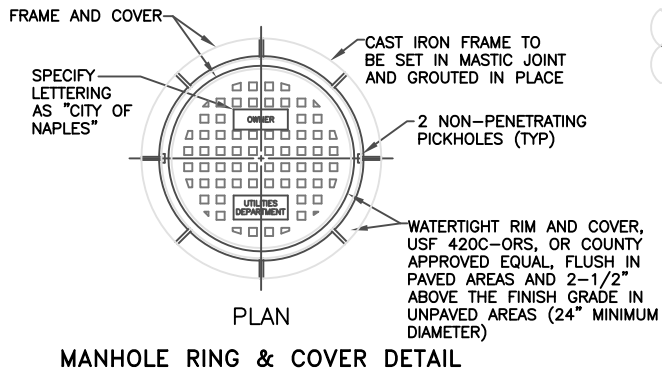
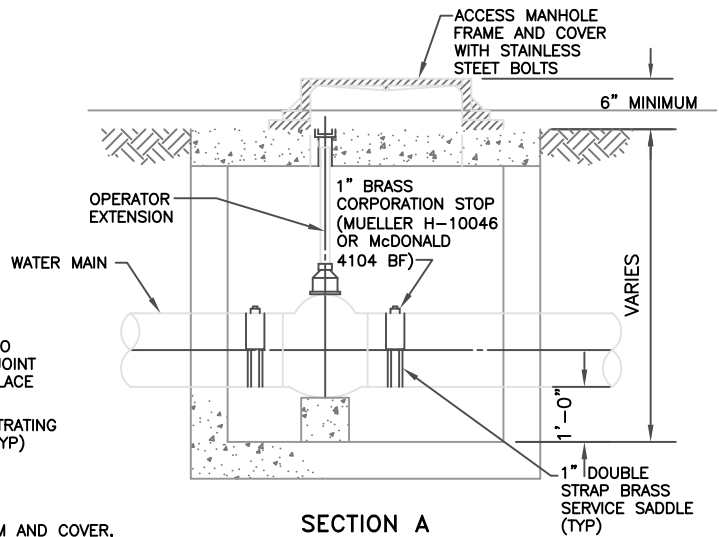
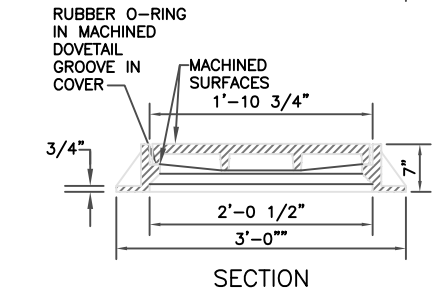
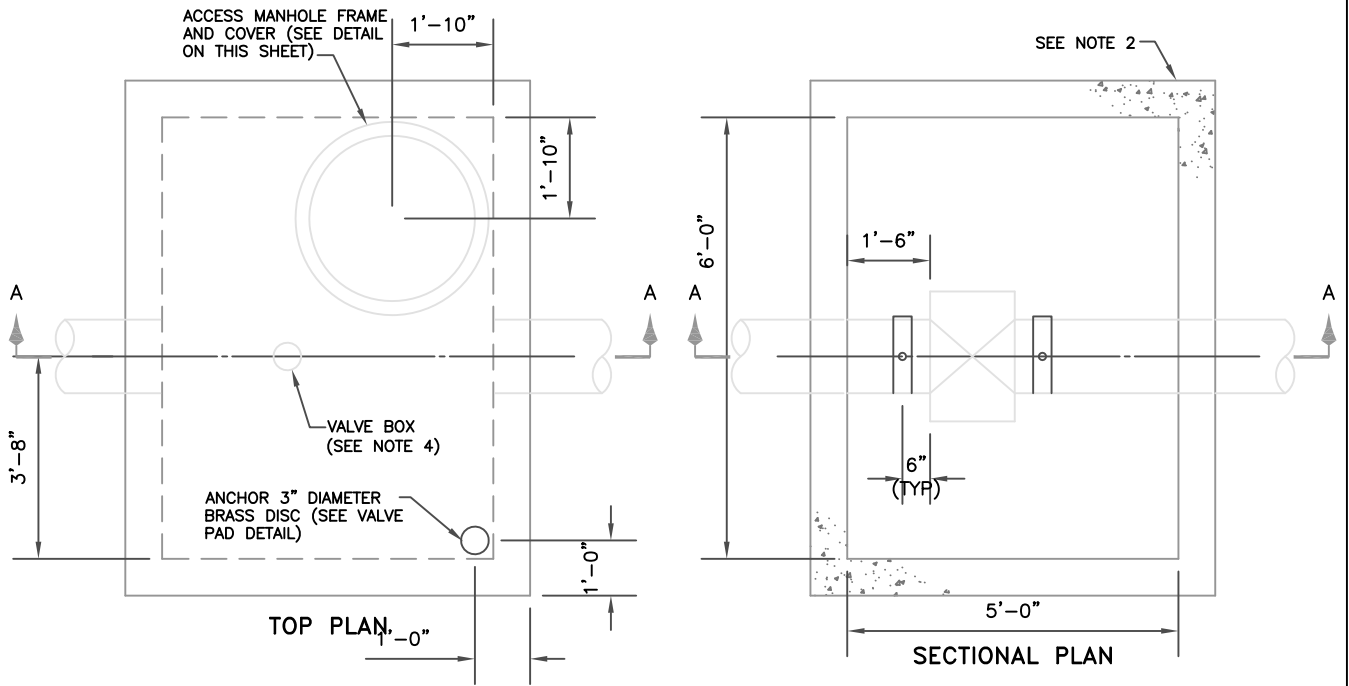
PROFILE

HDD INSTALLATION NOTES:

1. PROVIDE VALVES AT BOTH ENDS OF SUBAQUEOUS CROSSING. FOR WATER MAIN CROSSINGS, THE VALVE CLOSEST TO THE WATER SUPPLY SHALL BE IN A VAULT WITH PERMANENT TAPS ON EACH SIDE OF THE VALVE WITHIN THE VAULT. SEE SUBAQUEOUS MAIN VALVE VAULT DETAIL DWG. FOR DETAILS.
2. FOR POTABLE WATER, PROVIDE VALVE VAULT FOR MAINS 12" OR LESS IN DIAMETER.
3. PROVIDE AIR RELEASE VALVES: ONE VALVE ON EACH SIDE OF CROSSING FOR WASTEWATER CROSSINGS AND ONE VALVE ON EACH SIDE OF CROSSING FOR WATER CROSSINGS.
4. ALL SUBAQUEOUS CROSSINGS SHALL BE DISCUSSED AT A PLAN PRE-SUBMITTAL CONFERENCE WITH REPRESENTATIVE(S) OF THE UTILITIES DEPARTMENT. SUBAQUEOUS WATER MAINS SHALL REQUIRE APPROVAL BY THE UTILITIES DEPARTMENT.
5. WARNING SIGN SHALL BE PLACED ALONG BANK OF WATERWAY TO CLEARLY IDENTIFY SUBAQUEOUS CROSSING. SIGN SHALL INDICATE TYPE OF PIPELINE AND DEPTH OF PIPELINE BELOW BOTTOM OF WATER BODY.
6. ALLOW 40' BETWEEN VALVE AND END OF CASING. DISTANCE LESS THAN 40' REQUIRES APPROVAL OF DEVIATION. THE 40' LENGTH SHALL NOT INCLUDE BRANCHES/TEES IN THE PIPING BETWEEN VALVE AND END OF CASING.

THIS DETAIL CONSTITUTES
MINIMUM STANDARDS. DESIGN
ENGINEERS SHALL PROVIDE
STANDARDS EQUAL TO OR
GREATER THAN THESE.

FOR:	UTILITIES ENGINEERING DIVISION	CITY OF NAPLES
DATE: SEPT 2010	<i>TYPICAL SUBAQUEOUS HORIZONTAL DIRECTIONAL DRILL</i>	SHEET: U-12
DRAWN: TWS		DIR: UTILSTDS
SCALE: N.T.S.	380 RIVERSIDE CIRCLE, NAPLES, FL. 34102	DWG. U-12.DWG



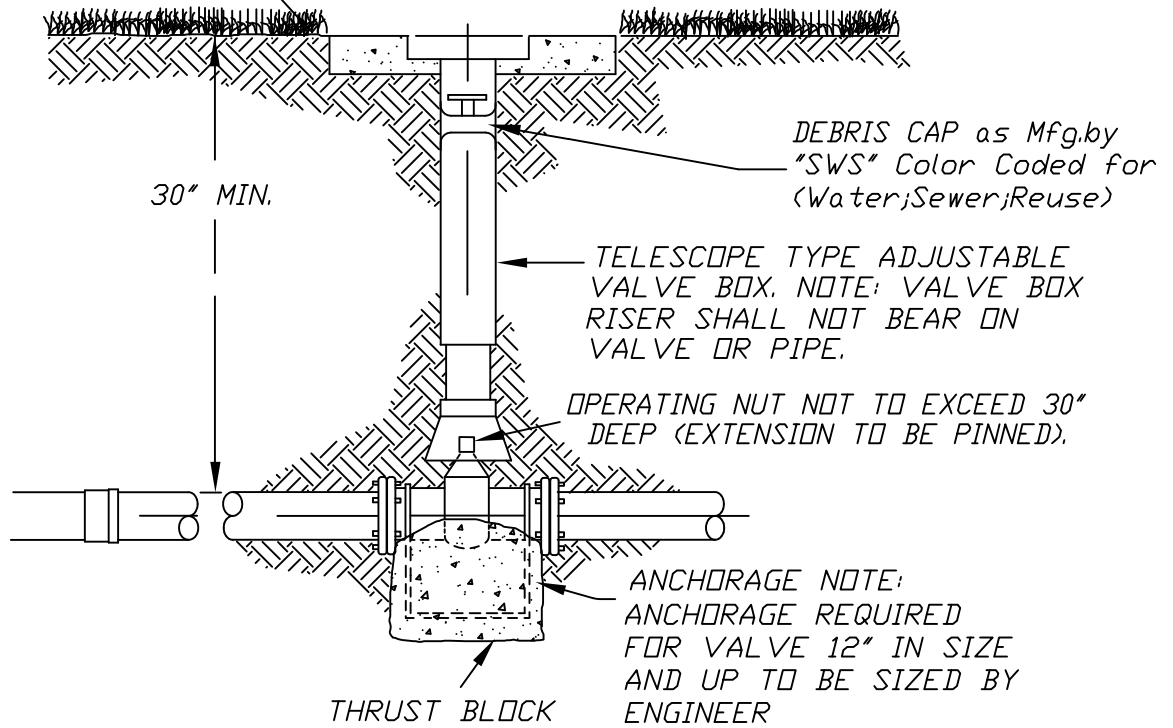
NOTES:

1. THIS DETAIL IS ONLY APPLICABLE FOR VALVES THAT HAVE BEEN SPECIFICALLY CALLED TO BE INSTALLED IN A VAULT
2. VAULT SHALL BE A FLAT TOP TYPE J, SCHEDULE D STRUCTURE WITH A TYPE 7 MANHOLE TOP, IN ACCORDANCE WITH FLORIDA D.O.T. STANDARD INDICES NO. 200 AND 201.
2. ALL VALVES SHALL BE OF THE RESILIENT SEATED TYPE IN ACCORDANCE WITH AWWA C 509.
3. LETTERING FOR THE VALVE COVER BOX SHALL READ "UTILITIES".

THIS DETAIL CONSTITUTES MINIMUM STANDARDS. DESIGN ENGINEERS SHALL PROVIDE STANDARDS EQUAL TO OR GREATER THAN THESE.

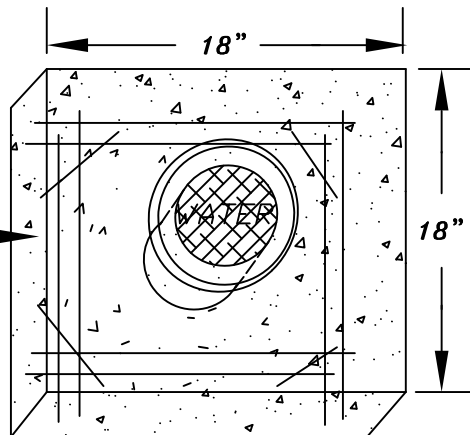
FOR:	UTILITIES ENGINEERING DIVISION	CITY OF NAPLES
DATE: SEPT 2010	<i>SUBAQUEOUS MAIN VALVE VAULT</i>	SHEET: U-13
DRAWN: TWS		DIR: UTILSTDS
SCALE: N.T.S.	380 RIVERSIDE CIRCLE, NAPLES, FL. 34102	DWG. U-13.DWG

TOP OF PAVEMENT OR
FINISHED GRADE



SEE VALVE PAD DETAIL

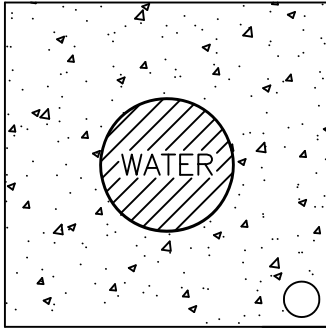
6"X18"X18"
CONCRETE COLLAR
W/TWO # 4 REBARS
PER SCHEMATIC



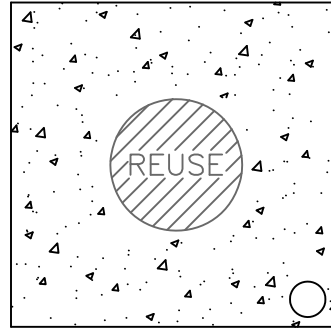
THIS DETAIL CONSTITUTES
MINIMUM STANDARDS. DESIGN
ENGINEERS SHALL PROVIDE
STANDARDS EQUAL TO OR
GREATER THAN THESE.

FOR:	UTILITIES ENGINEERING DIVISION	CITY OF NAPLES
DATE: SEPT 2010	TYPICAL IN-LINE VALVE (WATER/SEWER/REUSE)	SHEET: U-14
DRAWN: TWS		DIR: UTILSTDS
SCALE: N.T.S.	380 RIVERSIDE CIRCLE, NAPLES, FL. 34102	DWG. U-14.DWG

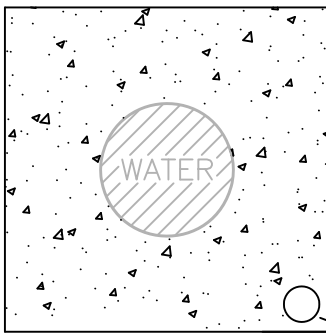
RAW WATER
(WHITE)



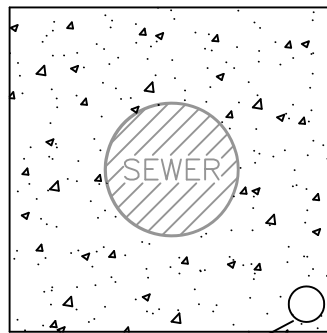
RECLAIMED WATER
(PURPLE)



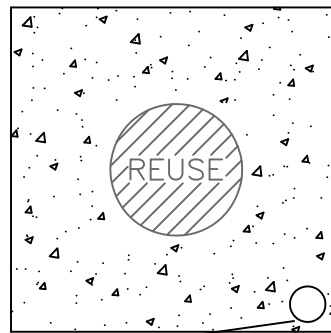
POTABLE WATER
(BLUE)



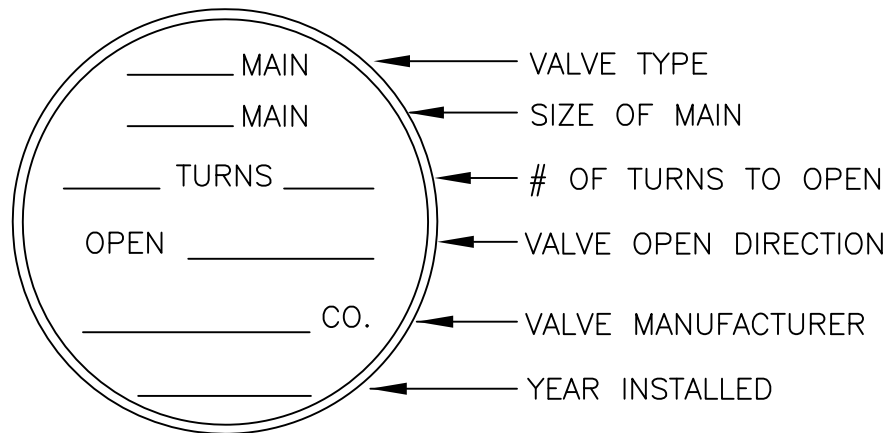
SANITARY FORCE MAIN
(GREEN)



IRRIGATION WATER
(PURPLE)



2" DIAM. BRONZE DISC.
ANCHORED IN CONCRETE

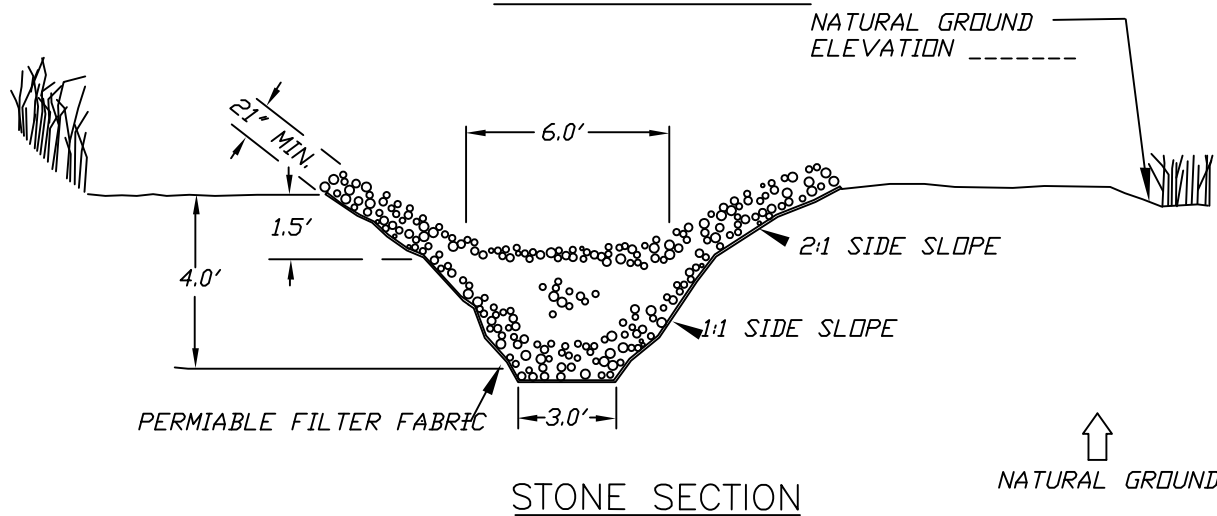
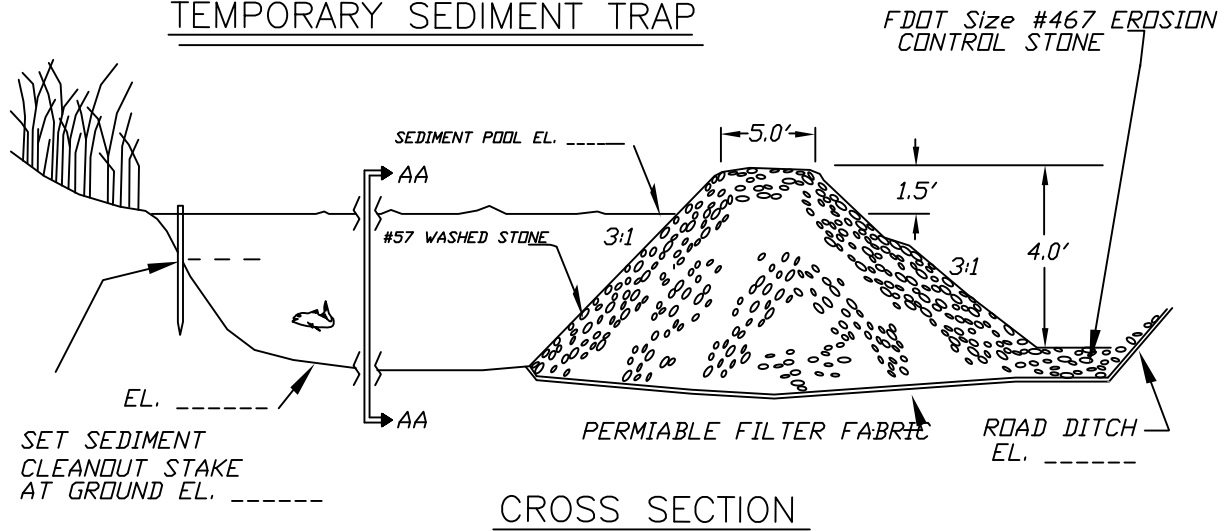


VALVE PAD DETAIL

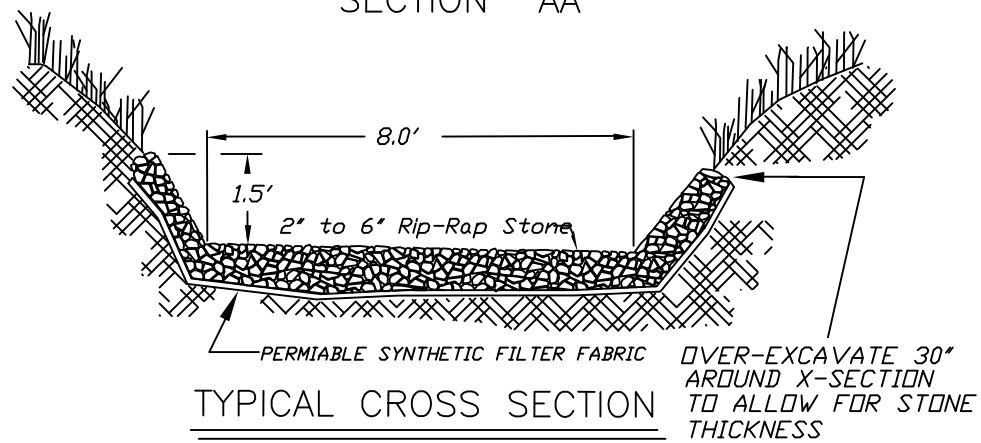
THIS DETAIL CONSTITUTES
MINIMUM STANDARDS. DESIGN
ENGINEERS SHALL PROVIDE
STANDARDS EQUAL TO OR
GREATER THAN THESE.

FOR:	UTILITIES ENGINEERING DIVISION	CITY OF NAPLES
DATE: SEPT 2010	VALVE PAD DETAIL	SHEET: U-15
DRAWN: JAF		DIR: UTILSTDS
SCALE: N.T.S.	380 RIVERSIDE CIRCLE, NAPLES, FL. 34102	DWG. U-15.DWG

TEMPORARY SEDIMENT TRAP



RIPRAP CHANNEL

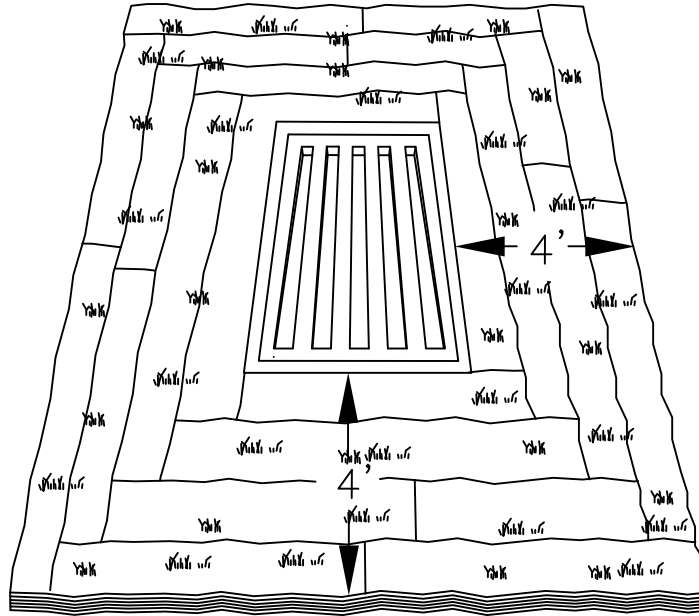


THIS DETAIL CONSTITUTES MINIMUM STANDARDS. DESIGN ENGINEERS SHALL PROVIDE STANDARDS EQUAL TO OR GREATER THAN THESE.

FOR:	UTILITIES ENGINEERING DIVISION	CITY OF NAPLES
DATE: SEPT 2010	SEDIMENTATION CONTROL NO. 1	SHEET: U-16
DRAWN: TWS		DIR: UTILSTDS
SCALE: N.T.S.	380 RIVERSIDE CIRCLE, NAPLES, FL. 34102	DWG. U-16.DWG

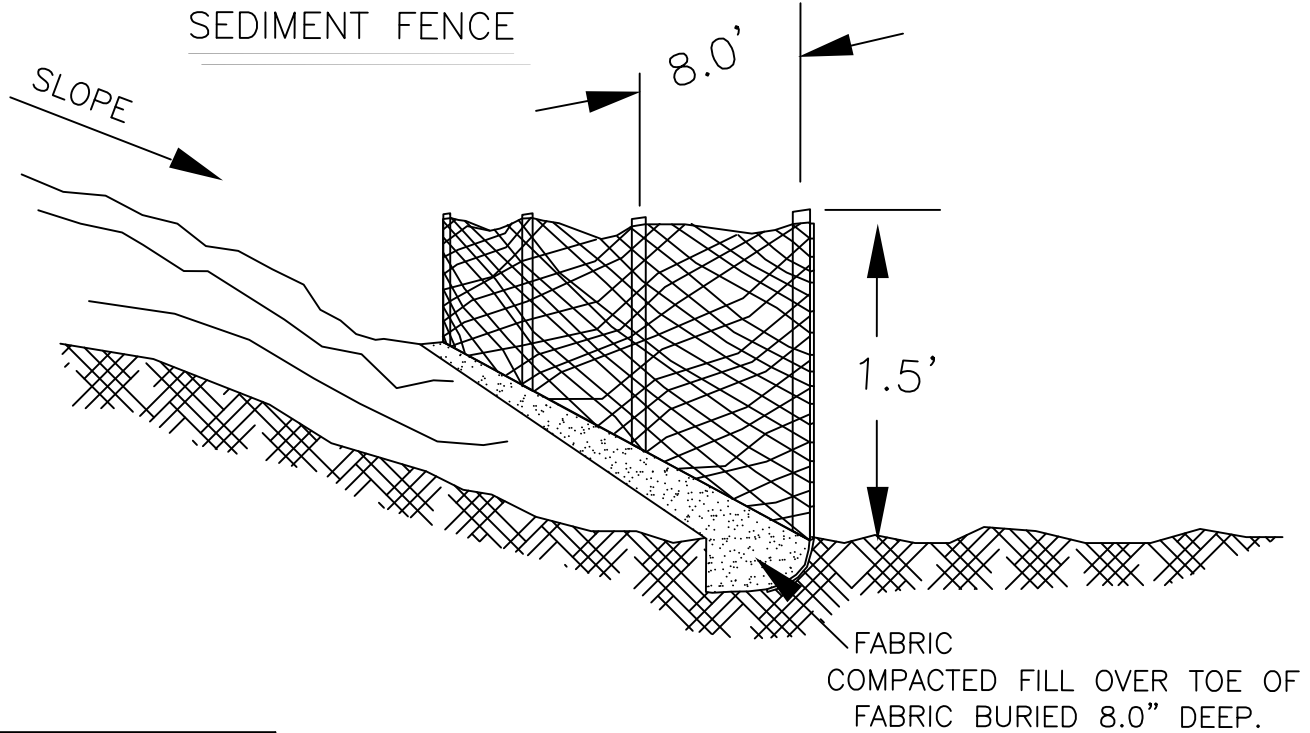
SOD DROP INLET PROTECTION

AFTER THE CONTRIBUTING DRAINAGE AREA HAS BEEN PERMANENTLY STABILIZED, THE TEMPORARY EROSION CONTROL MEASURES WILL BE REMOVED AND PERMANENT SOD LAID AROUND THE DROP INLET.



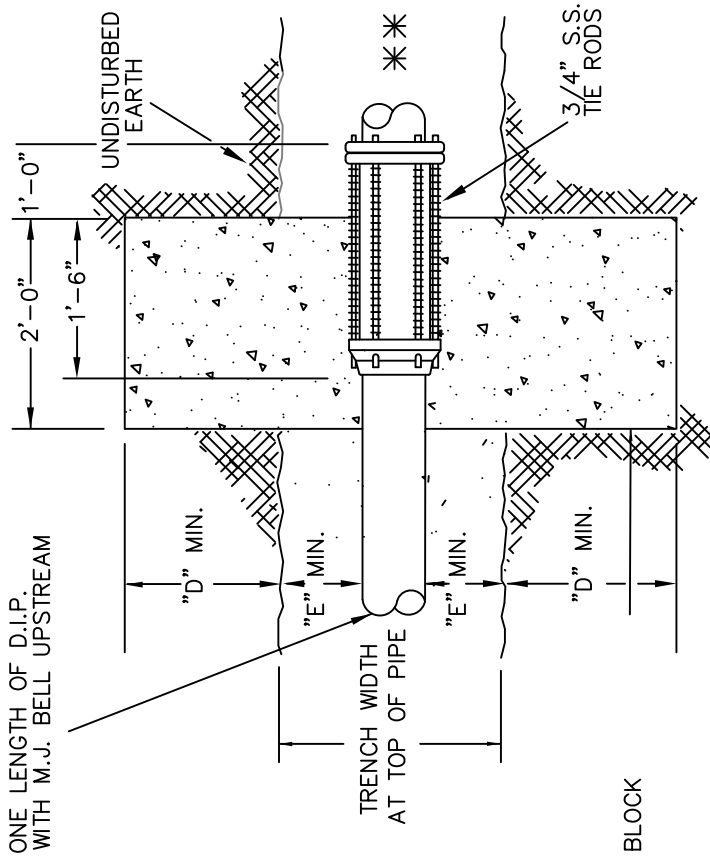
FOUR 1' WIDE STRIPS OF SOD ON EACH SIDE OF THE INLET.

SEDIMENT FENCE

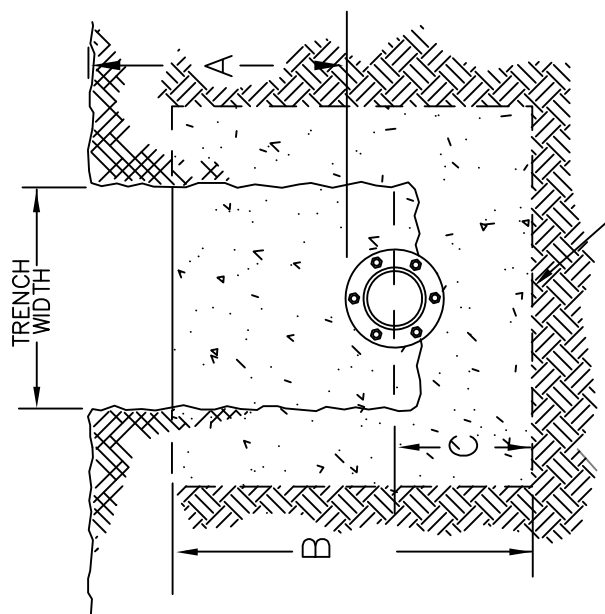


THIS DETAIL CONSTITUTES
MINIMUM STANDARDS. DESIGN
ENGINEERS SHALL PROVIDE
STANDARDS EQUAL TO OR
GREATER THAN THESE.

FOR:	UTILITIES ENGINEERING DIVISION	CITY OF NAPLES
DATE: SEPT 2010	<i>SEDIMENTATION CONTROL NO. 2</i>	SHEET: U-17
DRAWN: TWS		DIR: UTILSTDS
SCALE: N.T.S.	380 RIVERSDIE CIRCLE, NAPLES, FL. 34102	DWG. U-17.DWG



PLAN VIEW



CROSS SECTION

PIPE DIAMETER	A	B	C	D	E	NO. OF TIE RODS REQUIRED
4"	36"	24"	12"	9"	12"	2
6"	36"	24"	12"	12"	12"	2
8"	36"	24"	12"	12"	12"	2
10"	36"	36"	18"	18"	18"	2
12"	36"	36"	18"	18"	18"	2
16"	36"	36"	18"	24"	18"	4

DESIGN ENGINEER SHALL VERIFY ABOVE DIMENSIONS AND THE NUMBER OF TIE RODS.

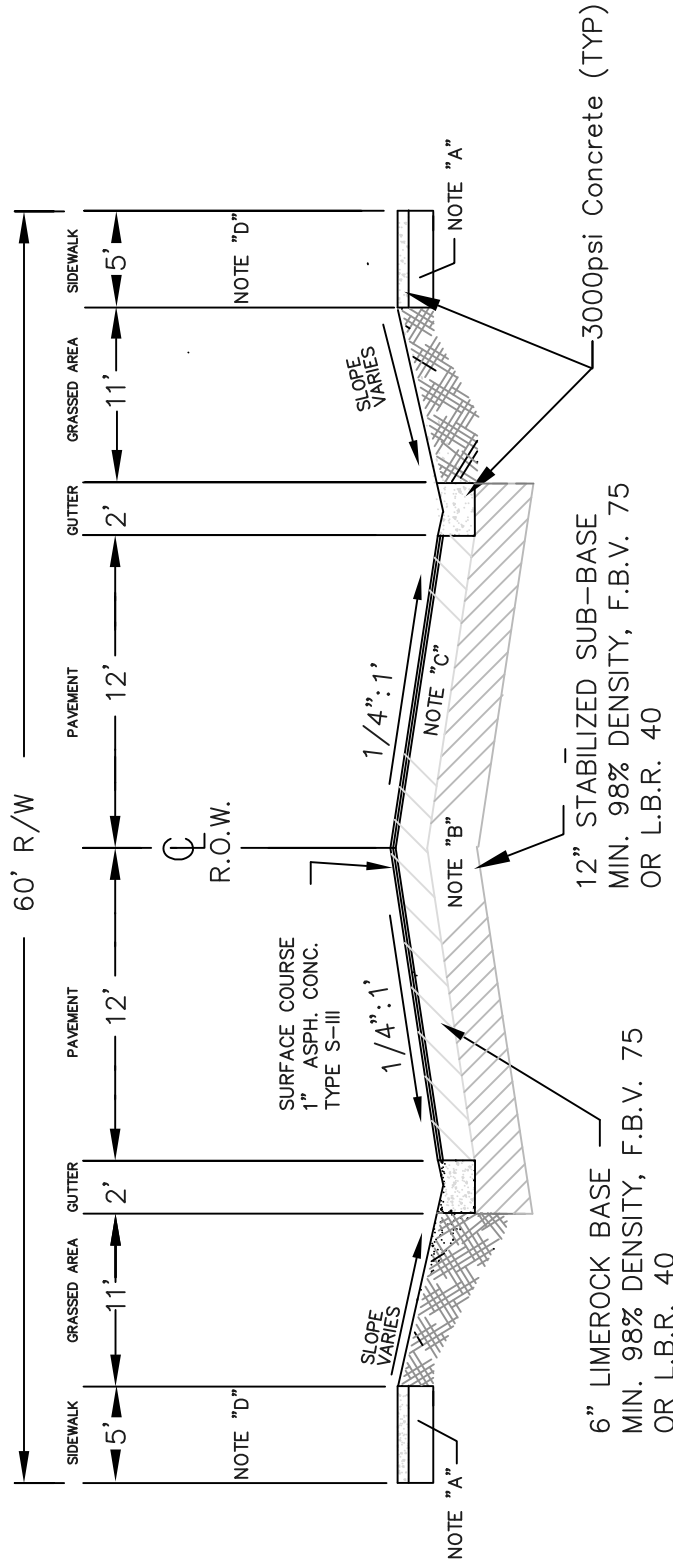
** FOR TERMINATION SEE DRAWING TEMBLOFF OR BLOFHYD

THRUST BLOCK DETAIL FOR LINE TERMINUS

THIS DETAIL CONSTITUTES MINIMUM STANDARDS. DESIGN ENGINEERS SHALL PROVIDE STANDARDS EQUAL TO OR GREATER THAN THESE.

FOR:	UTILITIES ENGINEERING DIVISION	CITY OF NAPLES
DATE: SEPT 2010	<i>LINE TERMINUS</i>	SHEET: U-18
DRAWN: TWS		DIR: UTILSTDS
SCALE: N.T.S.	380 RIVERSIDE CIRCLE, NAPLES, FL. 34102	DWG. U-18.DWG

60' ROAD R.O.W.



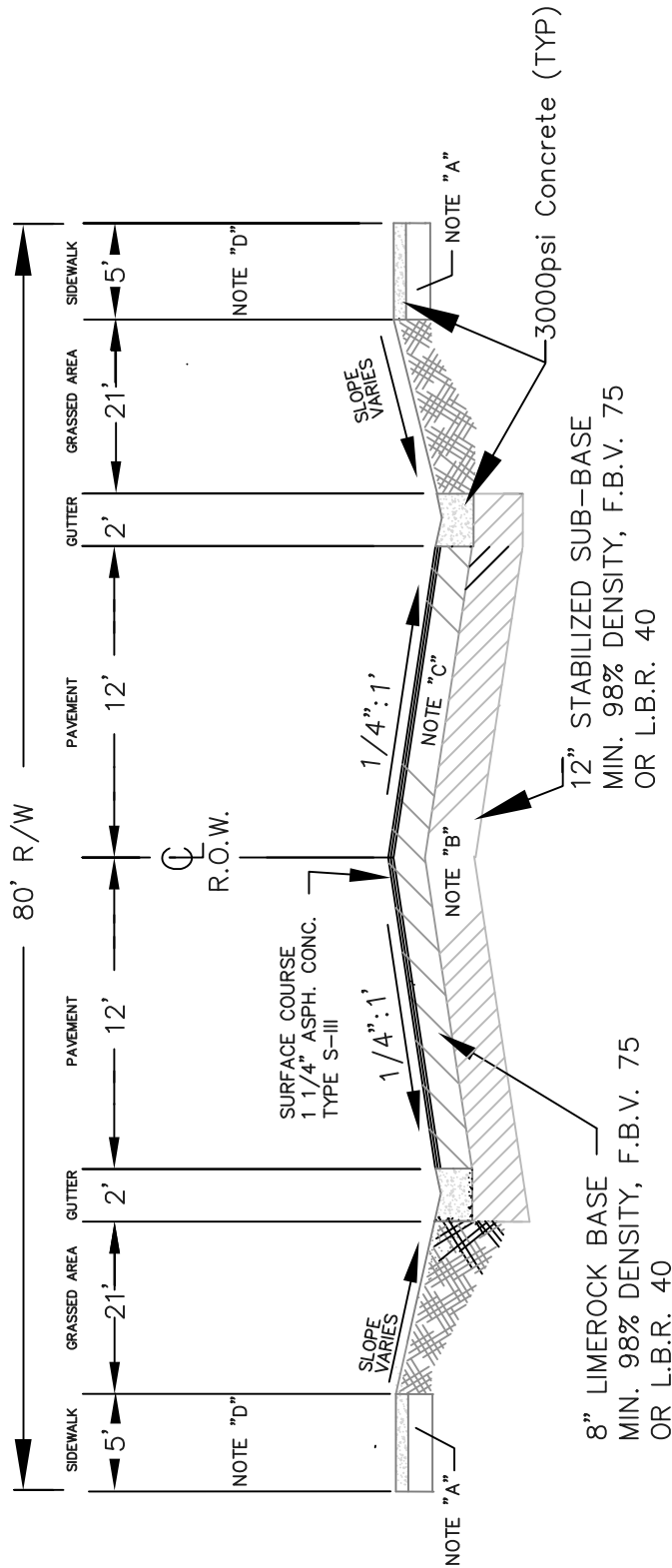
NOTES:

- A SUBGRADE COMPACTED TO MIN. 95% OF AASHTO T-99 DENSITY.
- B 12" STABILIZED SUBGRADE, MINIMUM 98% DENSITY, FBV=40, LBR=30, OR AS DIRECTED BY ENGINEER
- C 6" PRIMED LIMEROCK BASE, MINIMUM 98% DENSITY
- D CONCRETE SIDEWALK, 4" THICK (MIN.), 5' WIDE (MIN.) AT RESIDENTIAL CONCRETE SIDEWALK, 4" THICK (MIN.), 8' WIDE (MIN.) AT COMMERCIAL CONCRETE SIDEWALK, 6" THICK (MIN.), 5' WIDE (MIN.) AT ST. CROSSINGS

THIS DETAIL CONSTITUTES
MINIMUM STANDARDS. DESIGN
ENGINEERS SHALL PROVIDE
STANDARDS EQUAL TO OR
GREATER THAN THESE.

FOR:	UTILITIES ENGINEERING DIVISION	CITY OF NAPLES
DATE: SEPT 2010	2-LAVE LOCAL STREET 60' ROADWAY	SHEET: U-19
DRAWN: TWS		DIR: UTILSTDS
SCALE: N.T.S.	380 RIVERSIDE CIRCLE, NAPLES, FL. 34102	DWG. U-19.DWG

80' ROAD R.O.W.



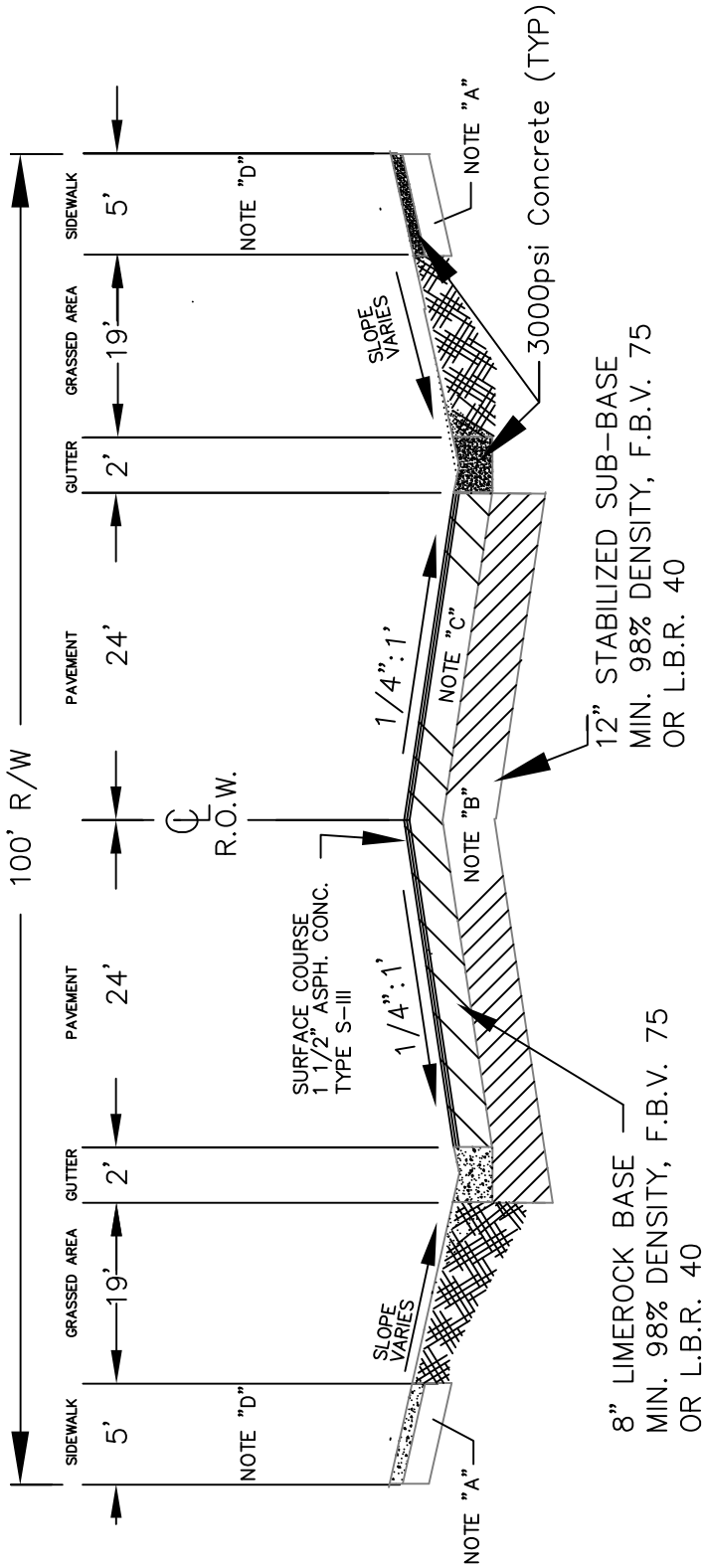
NOTES:

- A SUBGRADE COMPACTED TO MIN. 95% OF AASHTO T-99 DENSITY.
- B 12" STABILIZED SUBGRADE, MINIMUM 98% DENSITY, FBV=40, LBR=30, OR AS DIRECTED BY ENGINEER
- C 8" PRIMED LIMEROCK BASE, MINIMUM 98% DENSITY
- D CONCRETE SIDEWALK, 4" THICK (MIN.), 5' WIDE (MIN.) AT RESIDENTIAL CONCRETE SIDEWALK, 4" THICK (MIN.), 8' WIDE (MIN.) AT COMMERCIAL CONCRETE SIDEWALK, 6" THICK (MIN.), 5' WIDE (MIN.) AT ST. CROSSINGS

THIS DETAIL CONSTITUTES MINIMUM STANDARDS. DESIGN ENGINEERS SHALL PROVIDE STANDARDS EQUAL TO OR GREATER THAN THESE.

FOR:	UTILITIES ENGINEERING DIVISION	CITY OF NAPLES
DATE: SEPT 2010	2-LANE MINOR COLLECTOR 80' ROADWAY	SHEET: U-20
DRAWN: TWS		DIR: UTILSTDS
SCALE: N.T.S.	380 RIVERSIDE CIRCLE, NAPLES, FL. 34102	DWG. U-20.DWG

100' ROAD R.O.W.



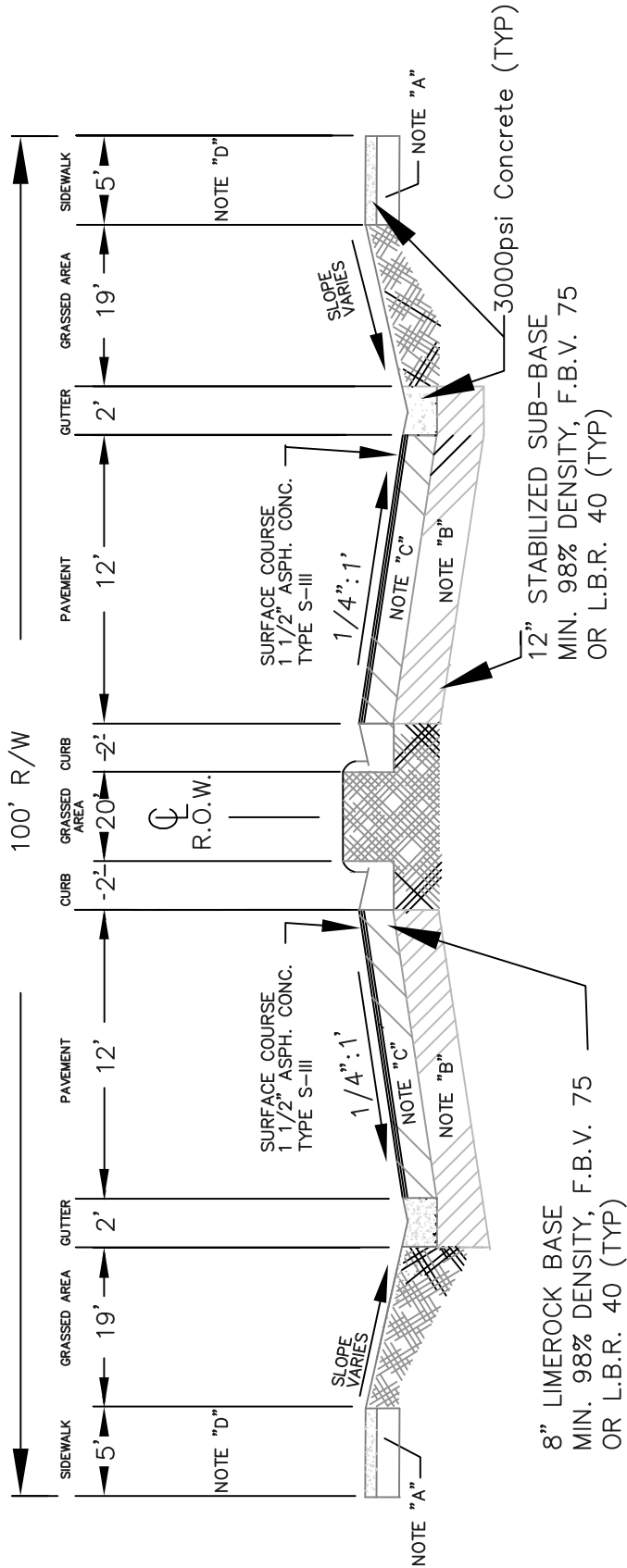
NOTES:

- A SUBGRADE COMPACTED TO MIN. 95% AASHTO T-99 DENSITY
- B 12" STABILIZED SUBGRADE, MINIMUM 98% DENSITY, FBV=40, LBR=30, OR AS DIRECTED BY ENGINEER
- C 8" PRIMED LIMEROCK BASE, MINIMUM 98% DENSITY
- D CONCRETE SIDEWALK, 4" THICK (MIN.), 5' WIDE (MIN.) AT RESIDENTIAL CONCRETE SIDEWALK, 4" THICK (MIN.), 8' WIDE (MIN.) AT COMMERCIAL CONCRETE SIDEWALK, 6" THICK (MIN.), 5' WIDE (MIN.) AT ST. CROSSINGS

THIS DETAIL CONSTITUTES MINIMUM STANDARDS. DESIGN ENGINEERS SHALL PROVIDE STANDARDS EQUAL TO OR GREATER THAN THESE.

FOR:	UTILITIES ENGINEERING DIVISION	CITY OF NAPLES
DATE: SEPT 2010	4-LANE MAJOR COLLECTOR 100' ROADWAY	SHEET: U-21
DRAWN: TWS		DIR: UTILSTDS
SCALE: N.T.S.	380 RIVERSIDE CIRCLE, NAPLES, FL. 34102	DWG. U-21.DWG

100' ROAD R.O.W.



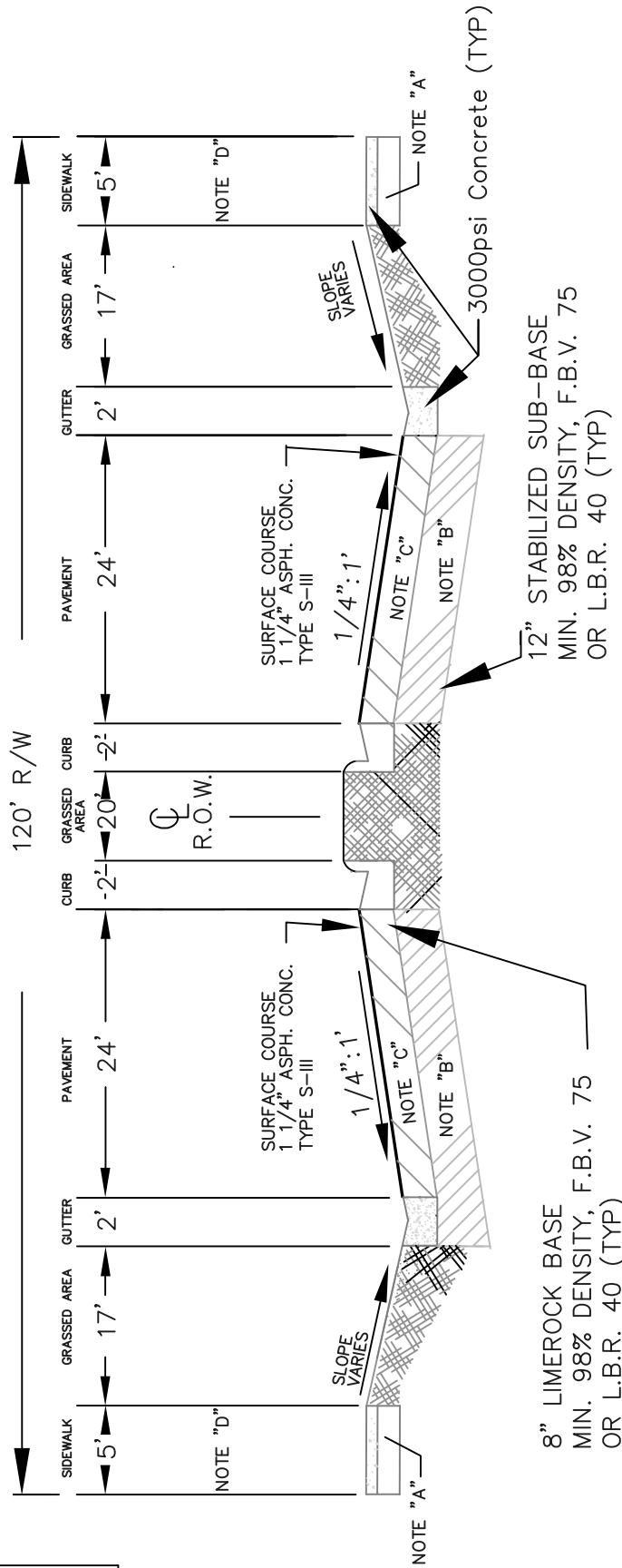
NOTES:

- A SUBGRADE COMPACTED TO MIN. 95% OF AASHTO T-99 DENSITY.
- B 12" STABILIZED SUBGRADE, MINIMUM 98% DENSITY, FBV=40, LBR=30, OR AS DIRECTED BY ENGINEER
- C 8" PRIMED LIMEROCK BASE, MINIMUM 98% DENSITY
- D CONCRETE SIDEWALK, 4" THICK (MIN.), 5' WIDE (MIN.) AT RESIDENTIAL CONCRETE SIDEWALK, 4" THICK (MIN.), 8' WIDE (MIN.) AT COMMERCIAL CONCRETE SIDEWALK, 6" THICK (MIN.), 5' WIDE (MIN.) AT ST. CROSSINGS

THIS DETAIL CONSTITUTES MINIMUM STANDARDS. DESIGN ENGINEERS SHALL PROVIDE STANDARDS EQUAL TO OR GREATER THAN THESE.

FOR:	UTILITIES ENGINEERING DIVISION	CITY OF NAPLES
DATE: SEPT 2010	2-LANE MINOR COLLECTOR 100' DIVIDED HIGHWAY	SHEET: U-22
DRAWN: TWS		DIR: UTILSTDS
SCALE: N.T.S.	380 RIVERSIDE CIRCLE, NAPLES, FL. 34102	DWG. U-22.DWG

120' ROAD R.O.W.



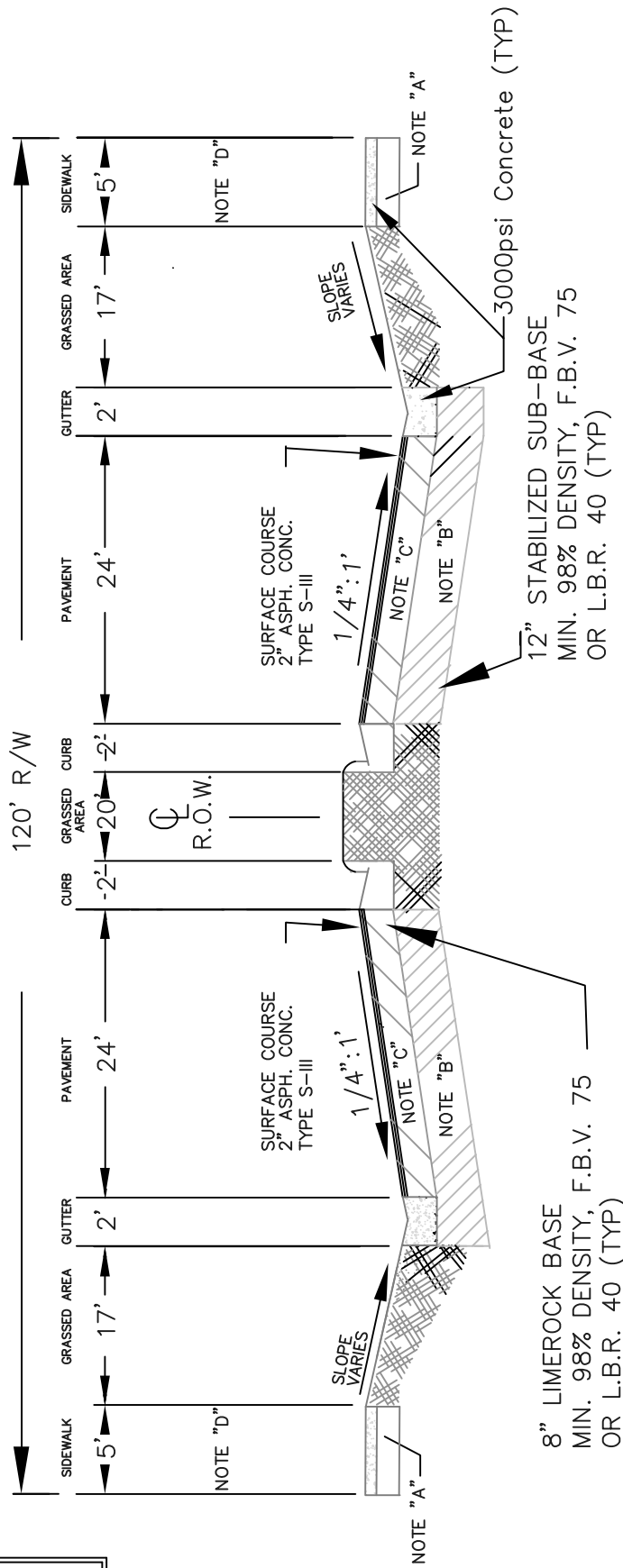
NOTES:

- A SUBGRADE COMPACTED TO MIN. 95% OF AASHTO T-99 DENSITY.
- B 12" STABILIZED SUBGRADE, MINIMUM 98% DENSITY, FBV=40, LBR=30, OR AS DIRECTED BY ENGINEER
- C 8" PRIMED LIMEROCK BASE, MINIMUM 98% DENSITY
- D CONCRETE SIDEWALK, 4" THICK (MIN.), 5' WIDE (MIN.) AT RESIDENTIAL CONCRETE SIDEWALK, 4" THICK (MIN.), 8' WIDE (MIN.) AT COMMERCIAL CONCRETE SIDEWALK, 6" THICK (MIN.), 5' WIDE (MIN.) AT ST. CROSSINGS

THIS DETAIL CONSTITUTES MINIMUM STANDARDS. DESIGN ENGINEERS SHALL PROVIDE STANDARDS EQUAL TO OR GREATER THAN THESE.

FOR:	UTILITIES ENGINEERING DIVISION	CITY OF NAPLES
DATE: SEPT 2010	4-LANE MAJOR COLLECTOR	SHEET: U-23
DRAWN: TWS	120' DIVIDED HIGHWAY	DIR: UTILSTDS
SCALE: N.T.S.	380 RIVERSIDE CIRCLE, NAPLES, FL. 34102	DWG. U-23.DWG

120' ROAD R.O.W.



NOTES:

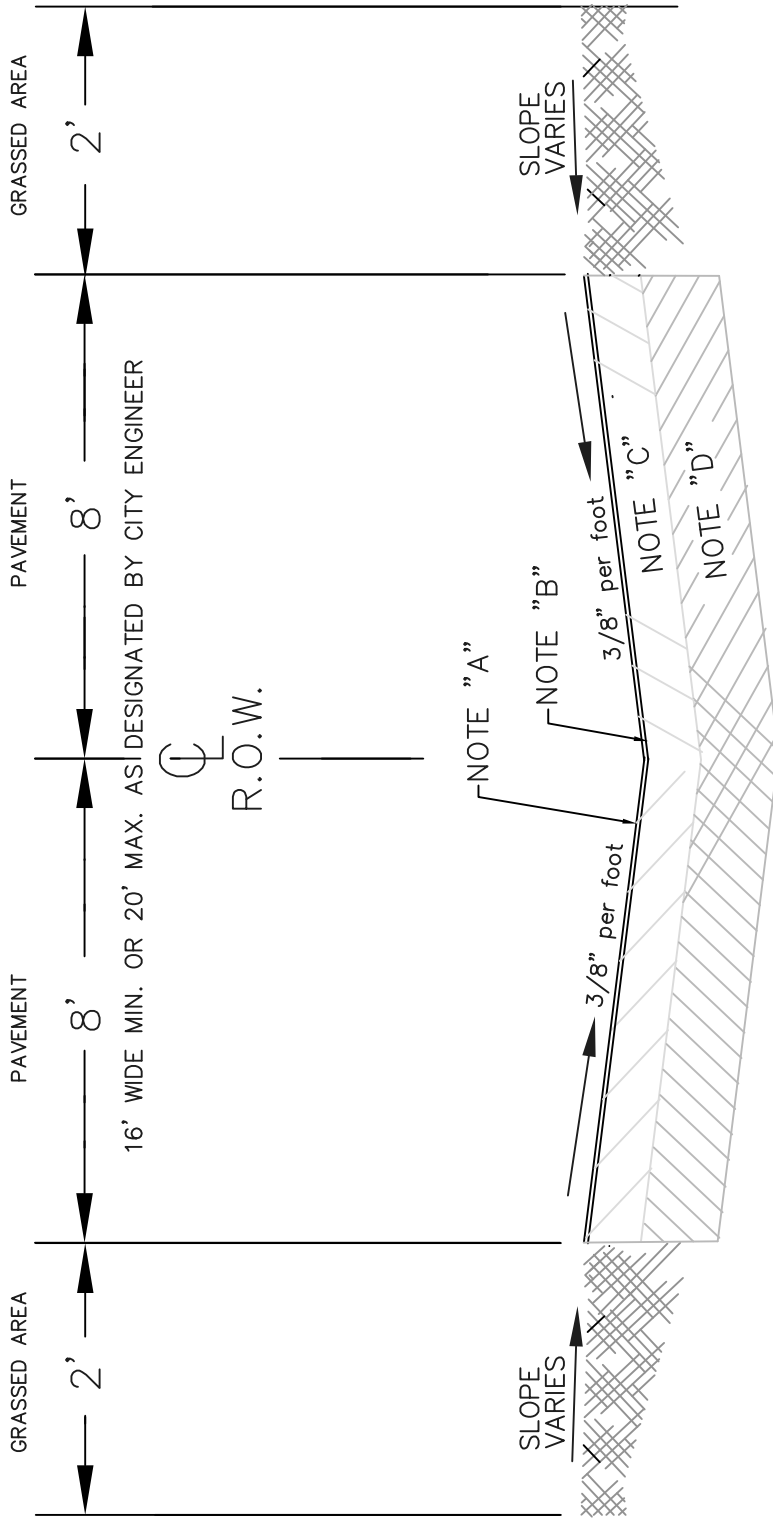
- A SUBGRADE COMPACTED TO MIN. 95% AASHTO T-99 DENSITY.
- B 12" STABILIZED SUBGRADE, MINIMUM 98% DENSITY, FBV=40, LBR=30, OR AS DIRECTED BY ENGINEER
- C 8" PRIMED LIMEROCK BASE, MINIMUM 98% DENSITY
- D CONCRETE SIDEWALK, 4" THICK (MIN.), 5' WIDE (MIN.) AT RESIDENTIAL CONCRETE SIDEWALK, 4" THICK (MIN.), 8' WIDE (MIN.) AT COMMERCIAL CONCRETE SIDEWALK, 6" THICK (MIN.), 5' WIDE (MIN.) AT ST. CROSSINGS

THIS DETAIL CONSTITUTES MINIMUM STANDARDS. DESIGN ENGINEERS SHALL PROVIDE STANDARDS EQUAL TO OR GREATER THAN THESE.

FOR:	UTILITIES ENGINEERING DIVISION	CITY OF NAPLES
DATE: SEPT 2010	4-LANE DIVIDED ARTERIAL	SHEET: U-24
DRAWN: TWS	120' DIVIDED ROADWAY	DIR: UTILSTDS
SCALE: N.T.S.	380 RIVERSIDE CIRCLE, NAPLES, FL. 34102	DWG. U-24.DWG

20' ALLEY R.O.W.

20' R/W



NOTES:

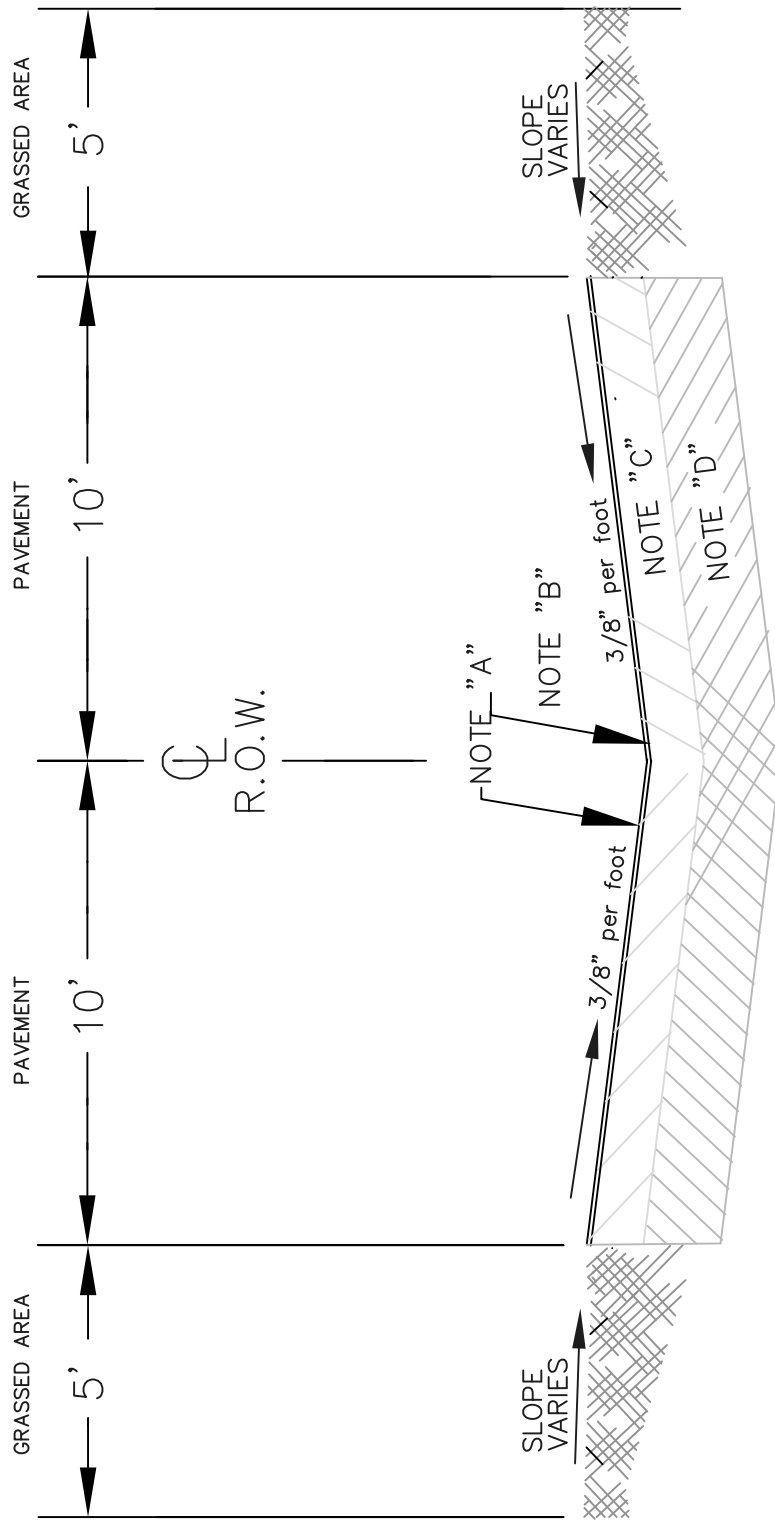
- A 1" ASPHALT S-III
- B PRIMED RC-70 OR SS-1, 0.14 GAL/SY
- C 6" LIMEROCK BASE COMPACTED TO MINIMUM 98% MAXIMUM DENSITY PER AASHTO T-180
- D 12" STABILIZED SUBGRADE COMPACTED TO MINIMUM 98% MAXIMUM DENSITY PER AASHTO T-180 (MIN LBR 40 OR FBV 50)

THIS DETAIL CONSTITUTES
MINIMUM STANDARDS. DESIGN
ENGINEERS SHALL PROVIDE
STANDARDS EQUAL TO OR
GREATER THAN THESE.

FOR:	UTILITIES ENGINEERING DIVISION	CITY OF NAPLES
DATE: SEPT 2010	ALLEY (20' RIGHT of WAY)	SHEET: U-25
DRAWN: TWS		DIR: UTILSTDS
SCALE: N.T.S.	380 RIVERSIDE CIRCLE, NAPLES, FL. 34102	DWG. U-25.DWG

30' ALLEY R.O.W.

30' R/W



NOTES:

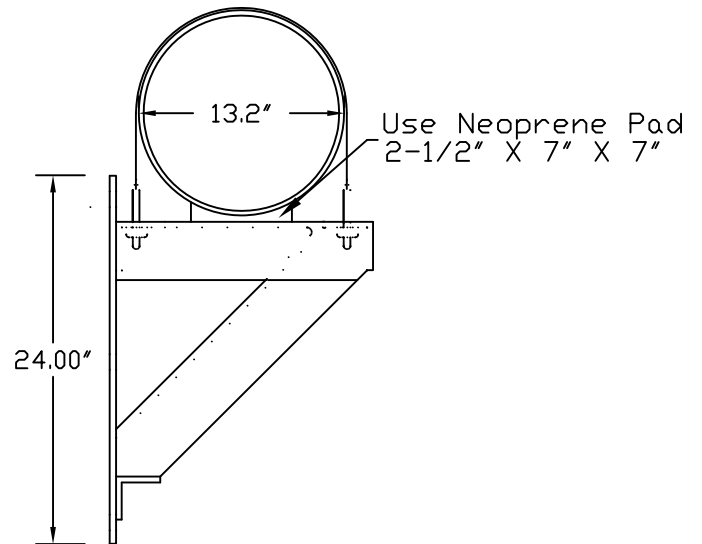
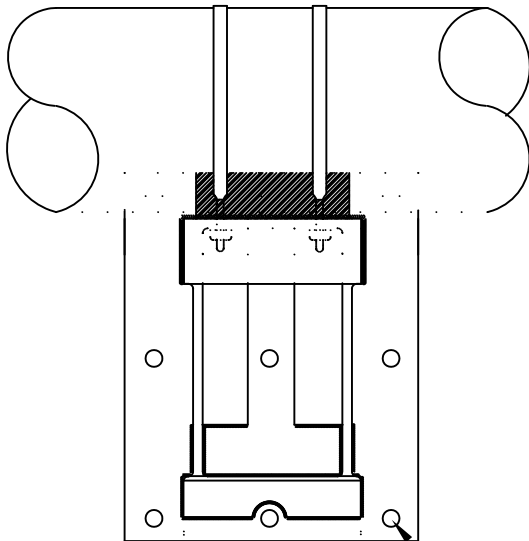
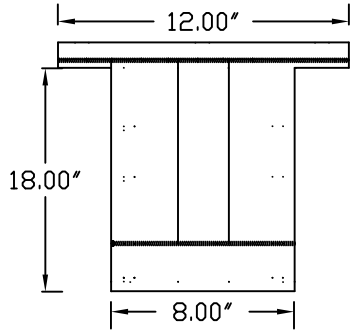
- A 1" ASPHALT S-III
- B PRIMED RC-70 OR SS-1, 0.14 GAL/SY
- C 6" LIMEROCK BASE COMPACTED TO MINIMUM 98% MAXIMUM DENSITY PER AASHTO T-180
- D 12" STABILIZED SUBGRADE COMPACTED TO MINIMUM 98% MAXIMUM DENSITY PER AASHTO T-180 (MIN LBR 40 OR FBV 50)

THIS DETAIL CONSTITUTES MINIMUM STANDARDS. DESIGN ENGINEERS SHALL PROVIDE STANDARDS EQUAL TO OR GREATER THAN THESE.

FOR:	UTILITIES ENGINEERING DIVISION	CITY OF NAPLES
DATE: SEPT 2010	ALLEY (30' RIGHT of WAY)	SHEET: U-26
DRAWN: TWS		DIR: UTILSTDS
SCALE: N.T.S.	380 RIVERSIDE CIRCLE, NAPLES, FL. 34102	DWG. U-26.DWG

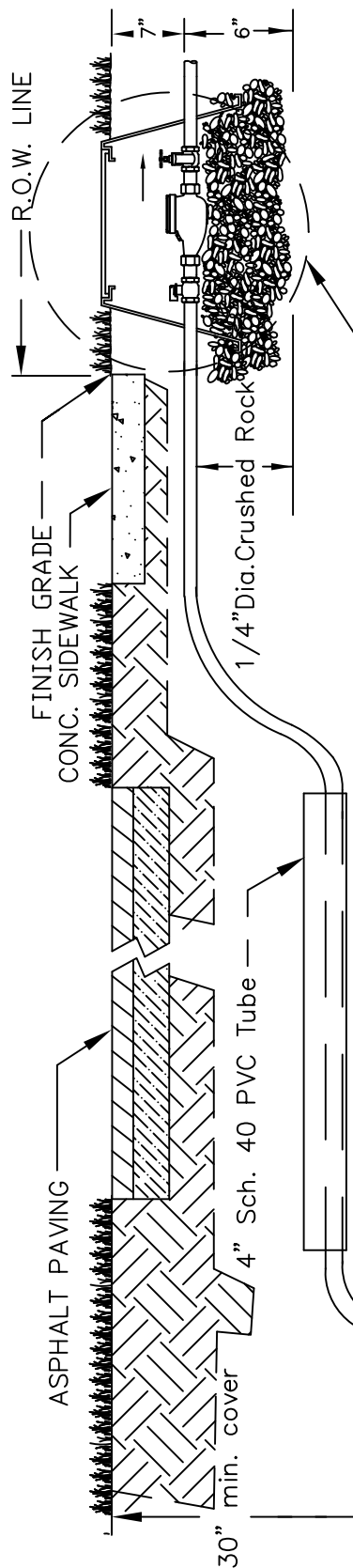
NOTES:

- 1 Utilize 1/2" S.S.Plates
- 2 Utilize 3/4" X 6" 316 S.S.Red Head Bolts
- 3 Use 1/2" X 3" S.S.Angle
- 4 Use 1/2" X 1-1/2" S.S.Angle
- 5 Shaped Neoprene Pad to Pipe Radius



THIS DETAIL CONSTITUTES
MINIMUM STANDARDS. DESIGN
ENGINEERS SHALL PROVIDE
STANDARDS EQUAL TO OR
GREATER THAN THESE.

FOR:	UTILITIES ENGINEERING DIVISION	CITY OF NAPLES
DATE: SEPT 2010	<i>PIPE MOUNT WALL BRACKET</i>	SHEET: U-27
DRAWN: TWS		DIR: UTILSTDS
SCALE: N.T.S.	380 RIVERSIDE CIRCLE, NAPLES, FL. 34102	DWG. U-27.DWG



NOTES: "FORD" connectors C84-44 & C84-77 will be used for multi-service. Successive taps into Water Main will be no closer than 12" apart. All Casing Pipe shall extend a minimum of 2' beyond the edge of pavement, with a Casing diameter to be no less than 4'.

MATERIAL SPECIFICATIONS

1. TAPPING SADDLES:

Shall be Epoxy Coated Cast Iron with S.S.Straps and Bolts. AWWA approved with 1" or 2" FIP Thread pattern.

2. CORPORATION STOPS:

Shall be BRASS = (1" Iron Pipe X Pack Joint)
(2" Iron Pipe X Pack Joint)

3. CURB STOPS:

Shall be BRASS = (1" Iron Pipe X Pack Joint W/Locking Wings)
(2" Iron Pipe X Pack Joint W/Locking Wings)

4. TUBING:

Shall be POLYETHYLENE, PE3408, Class III, A, 5, P34, Magenta (Purple) in color. Tubing sizes shall be 1" for 3/4" & 1" meters & 2" for 1 1/2" to 2" meters.

5. METER BOXES/Covers: (Covers shall be Magenta [Purple] in color)

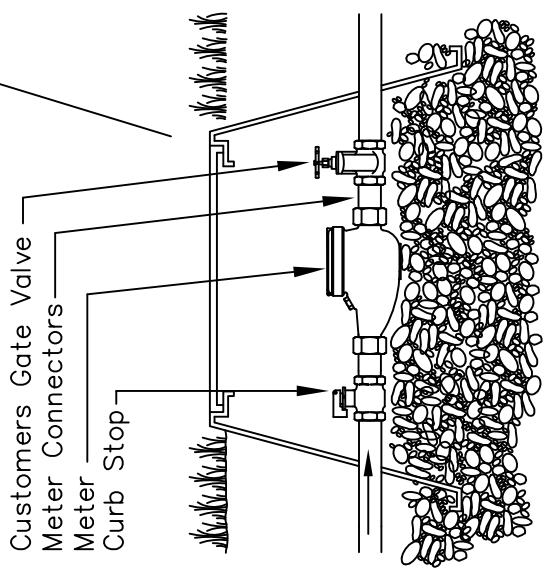
3/4" TO 1 1/2" Meters = Brooks 1324 w/ Cast Iron Read Lid.

2" Meters = Brooks 1730 w/ Cast Iron reading lid.

Within paved areas:

3/4" TO 1 1/2" Meters = Brooks B1324 w/ traffic bearing lid.

2" Meters = Brooks B1730 w/ traffic bearing lid.



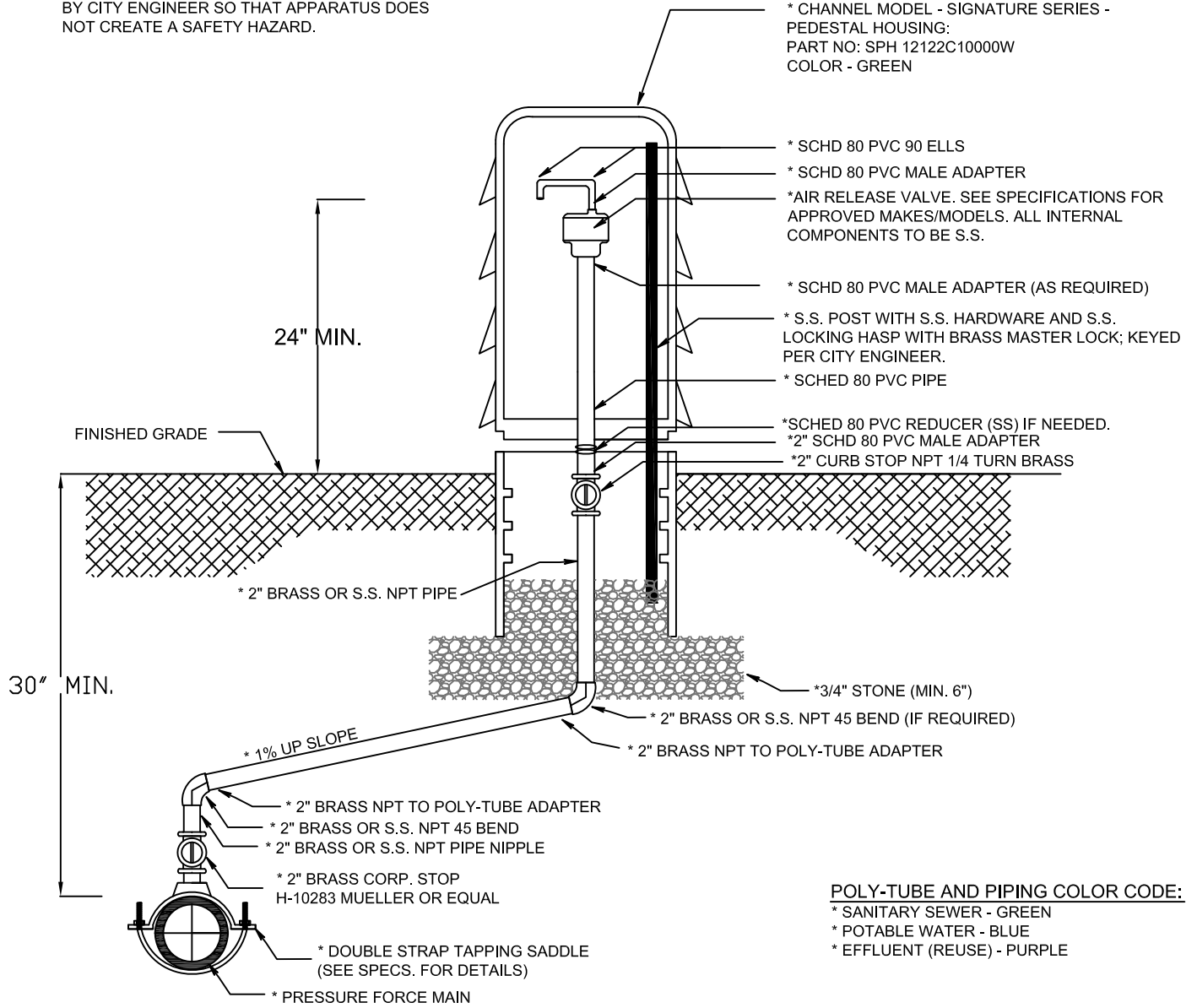
THIS DETAIL CONSTITUTES MINIMUM STANDARDS. DESIGN ENGINEERS SHALL PROVIDE STANDARDS EQUAL TO OR GREATER THAN THESE.

FOR:	UTILITIES ENGINEERING DIVISION	CITY OF NAPLES
DATE: JAF	<i>METER SETTING DETAIL IRRIGATION OR RECLAIMED</i>	SHEET: R-01
DRAWN: TWS		DIR: REUSE
SCALE: N.T.S.	380 RIVERSIDE CIRCLE, NAPLES, FLORIDA, 34102	DWG. R-01.DWG

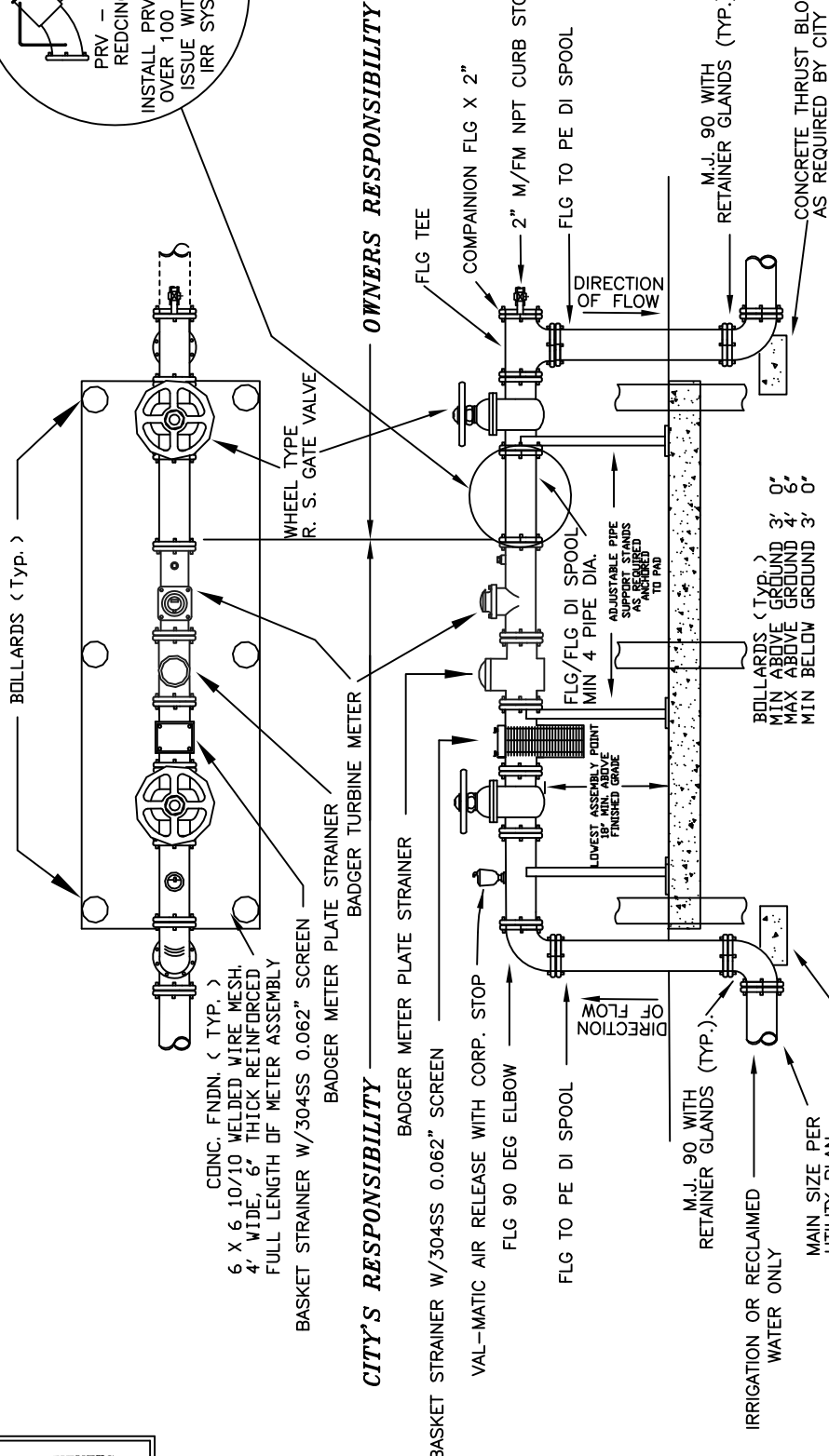
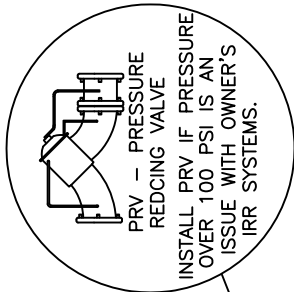
Air Release Valve Detail (Reclaimed Water)

THIS DETAIL CONSTITUTES
MINIMUM STANDARDS. DESIGN
ENGINEERS SHALL PROVIDE
STANDARDS EQUAL TO OR
GREATER THAN THESE.

* AIR RELEASE VALVE TO BE LOCATED WITHIN RIGHT-OF-WAY/EASEMENT. PREFERABLY OVER PRESSURE MAIN: LOCATION TO BE DETERMINED BY CITY ENGINEER SO THAT APPARATUS DOES NOT CREATE A SAFETY HAZARD.



FOR:	UTILITIES DEPARTMENT	CITY OF NAPLES
DATE: SEPT 2010	AIR RELEASE VALVE	SHEET: R-02
DRAWN: DAG	(RECLAIMED WATER)	DIR: REUSE
SCALE: N.T.S.	380 RIVERSIDE CIRCLE, NAPLES, FLORIDA, 34102	DWG. R-02.DWG



- NOTES:**
- 1) ALL ABOVE GROUND PIPES WILL BE FLANGED END D.I.P. CLASS 51, SUBMITTED FOR REVIEW AND APPROVAL.
 - 2) ALL ABOVE GROUND FITTINGS SHALL BE CONNECTED WITH 316 STAINLESS STEEL BOLTS, NUTS, & WASHERS AS REQUIRED.
 - 3) SIX (6) VEHICULAR GUARD POSTS TO BE INSTALLED AROUND METER, CONFIGURATION TO BE ILLUSTRATED ON CONSTRUCTION DOCUMENTS. BOLLARDS MAY NOT BE REQUIRED NEAR SECLUDED/PROTECTED AREAS.
 - 4) THIS ASSEMBLY IS PERMITTED FOR RECLAIMED OR IRRIGATION SERVICE ONLY.
 - 5) ALL PLANTINGS SHALL BE A MINIMUM OF 3' FROM EDGE OF SLAB, AND PROVIDE A 3' ACCESS OPENING.
 - 6) ALL ABOVE GROUND PIPING INCLUDING ASSEMBLY WILL BE PAINTED RUSTOLEUM FEDERAL SAFETY MAGENTA DR AS PER CITY ORDINANCE 66-66H.

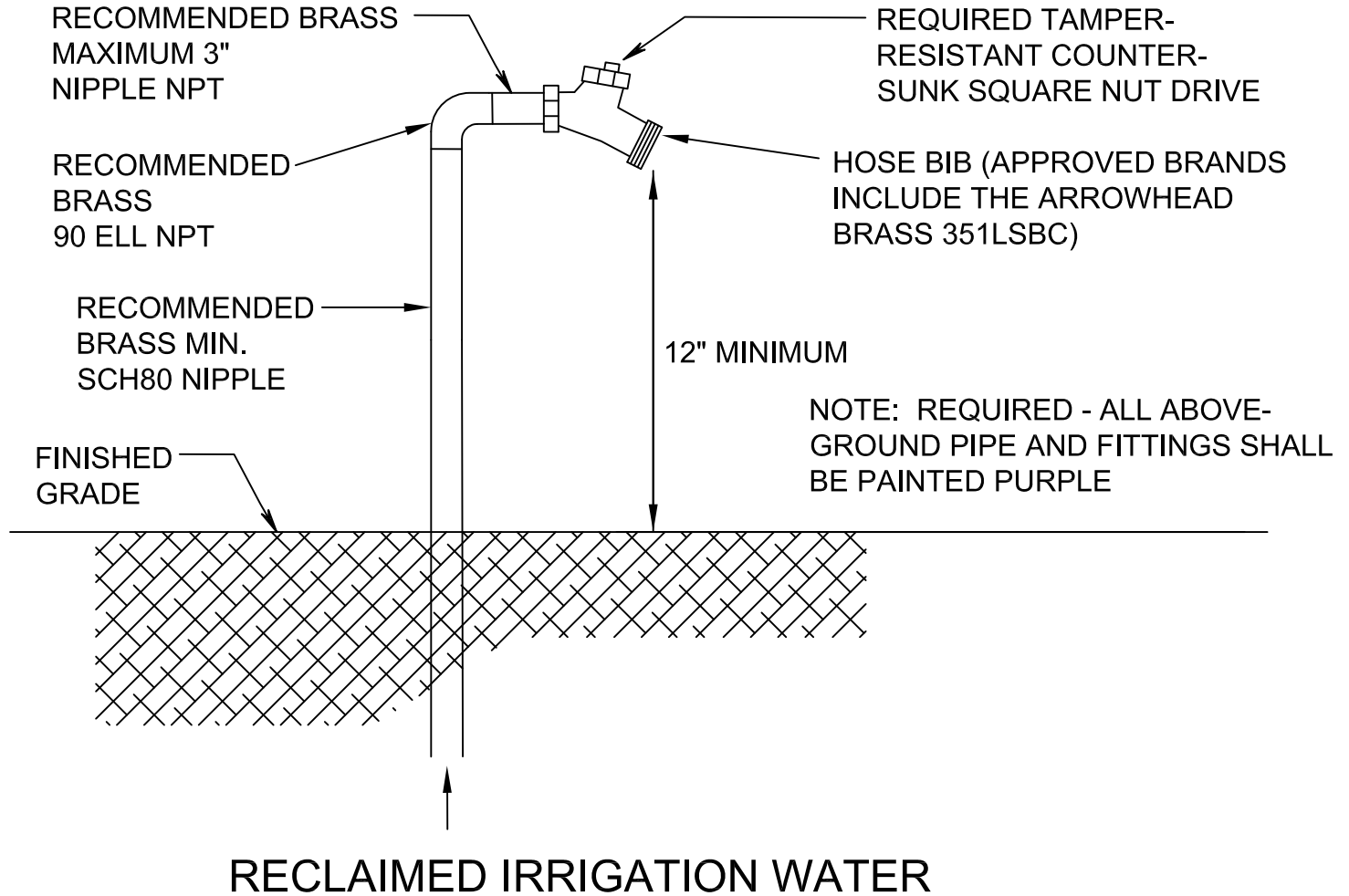
-BASKET STRAINER SHALL BE EQUAL TO: MUELLER STEAM SPECIALTY (SIZE)-155M-N IRON BODY FLANGE TYPE WITH 304 STAINLESS STEEL BASKET - SCREEN SIZE 0.062"; OR APPROVED EQUAL.

THIS DETAIL CONSTITUTES MINIMUM STANDARDS. DESIGN ENGINEERS SHALL PROVIDE STANDARDS EQUAL TO OR GREATER THAN THESE.

FOR:	UTILITIES ENGINEERING DIVISION	CITY OF NAPLES
DATE: SEPT 2010	METER & PRESSURE REDUCING VALVE	SHEET: R-03
DRAWN: DAG	3" & LARGER-IRRIGATION or RECLAIMED	DIR: REUSE
SCALE: N.T.S.	380 RIVERSIDE CIRCLE, NAPLES, FL. 34102	DWG. R-03.DWG

Hose Bib for Reclaimed Irrigation Water

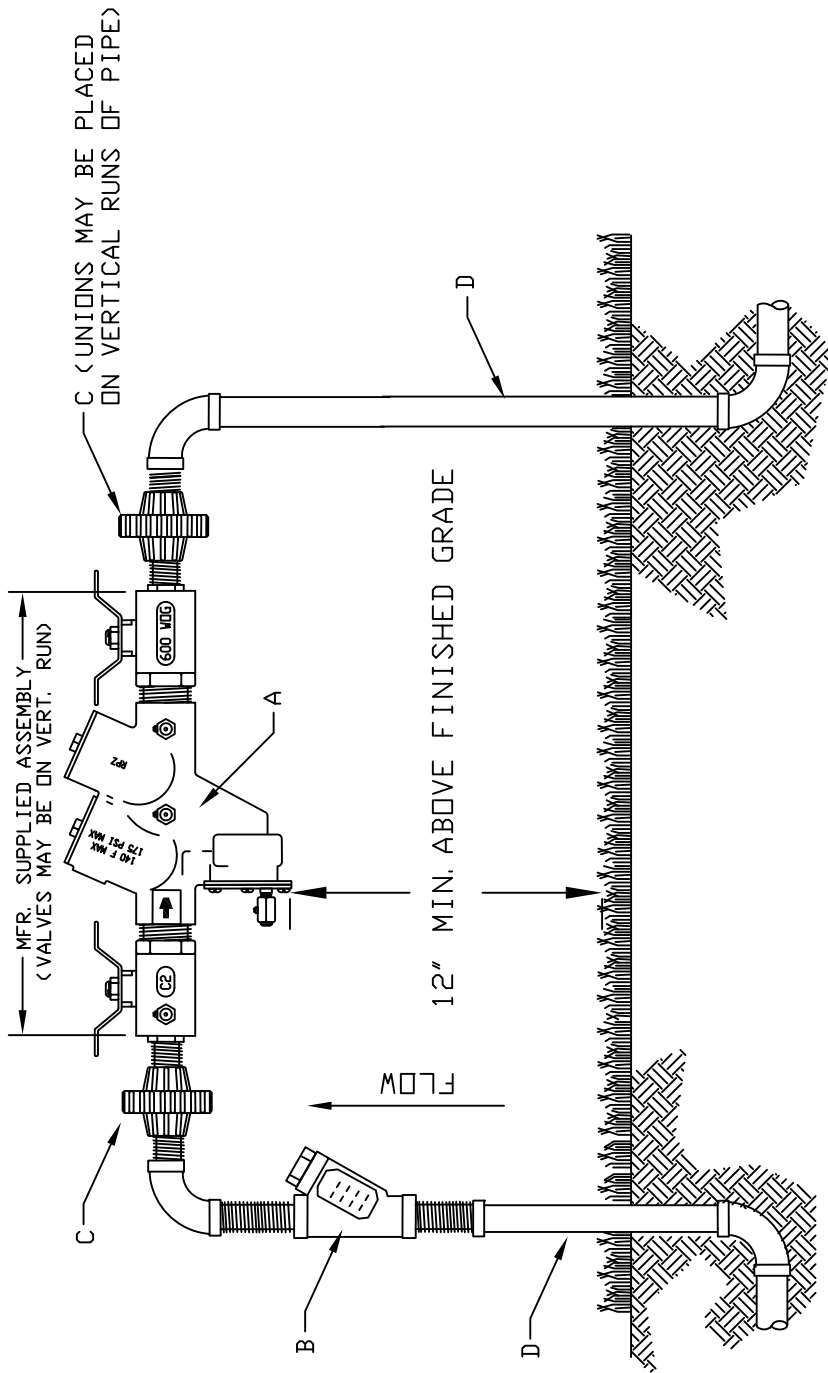
THIS DETAIL CONSTITUTES
MINIMUM STANDARDS. DESIGN
ENGINEERS SHALL PROVIDE
STANDARDS EQUAL TO OR
GREATER THAN THESE.



Reclaimed Irrigation Water Hose Bibs

Any hose bibs connected to the City of Naples reclaimed irrigation water system, whether within a development or in the ROW, shall have a counter-sunk square nut (FDEP regulation) to open or close the valve, be a minimum of twelve inches (12") above grade, and be in accordance with all FDEP regulations concerning this subject. There shall be a warning sign nearby, preferably purple, warning hose bib users not to drink the reclaimed irrigation water – the sign shall state "Do not drink – reuse/recycled/non-potable [use any of these preceding words] water – No Beber," with an international symbol of a cup with a diagonal slash through it. Examples of signs can be found at safety-signs.com/compliance/signs.com at telephone number 1(800)578-1245.

FOR:	UTILITIES DEPARTMENT	CITY OF NAPLES
DATE: SEPT 2010	<i>HOSE BIB for RECLAIMED & IRRIGATION WATER</i>	SHEET: R-04
DRAWN: PK		DIR: REUSE
SCALE: N.T.S.	380 RIVERSIDE CIRCLE, NAPLES, FLORIDA. 34102	DWG. R-04.DWG



THIS DETAIL CONSTITUTES MINIMUM STANDARDS. DESIGN ENGINEERS SHALL PROVIDE STANDARDS EQUAL TO OR GREATER THAN THESE.

WATER METER ON THIS SIDE OF RPZ**

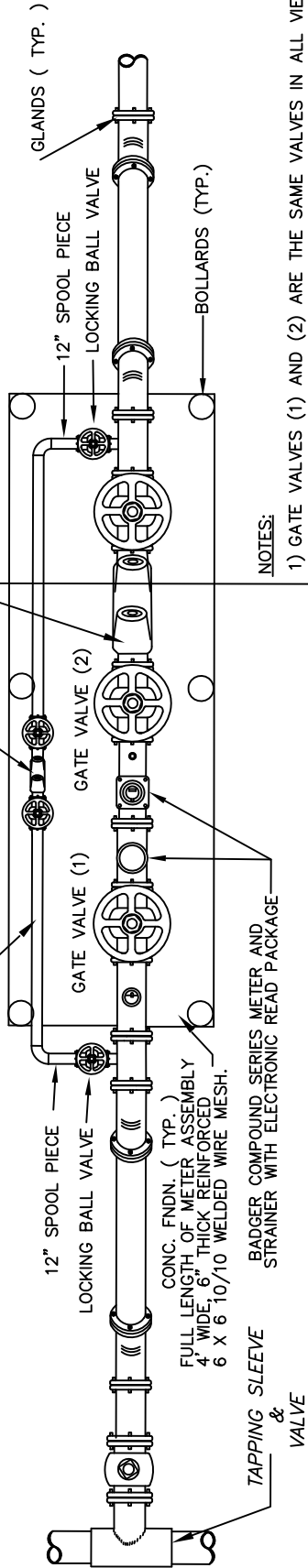
- NOTES:**
- 1) TO BE INSTALLED A MINIMUM OF 12" (INCHES) TO A MAXIMUM OF 30" (INCHES) OVER FINAL FINISHED GRADE, AS MEASURED TO THE LOWEST POINT OF THE RPZ ASSEMBLY, AND NO CLOSER THAN 12" (INCHES) TO ANY FIXED STRUCTURE.
 - 2) ALL PIPING FOR ASSEMBLY SHALL BE TYPE "K" COPPER OR BRASS
 - 3) UNPROTECTED CONNECTIONS ARE PROHIBITED BETWEEN BACKFLOW PREVENTER AND METER.
 - 4) ADJUSTABLE PIPE STANDS WHERE REQUIRED.
 - 5) BACKFLOW UNIT REQUIRES INITIAL CERTIFICATION BY CITY OF NAPLES WATER DEPARTMENT (Backflow Division).
 - 6) ALL ABOVE GROUND PIPING INCLUDING ASSEMBLY WILL BE PAINTED RUSTOLEUM FEDERAL SAFETY BLUE, OR PER CITY ORDINANCE 66-66H.

** ASSEMBLY TO BE INSTALLED AS CLOSE AS POSSIBLE TO METER ON CUSTOMER'S PROPERTY.

FOR:	UTILITIES ENGINEERING DIVISION	CITY OF NAPLES
DATE: SEPT 2010	3/4" TO 2" REDUCED PRESSURE BACKFLOW ASSEMBLY	SHEET: W-01
DRAWN: JAF		DIR: WATER
SCALE: N.T.S.	380 RIVERSIDE CIRCLE, NAPLES, FL. 34102	DWG. W-01.DWG

REDUCED PRESSURE BACKFLOW ASSEMBLY,
 SUPPLIED WITH AMMONIA & CLORINE RESISTANT
 SEATS AND SILICONE RUBBER SEALS. UL LISTED AS
 REQUIRED BY CITY ORDINANCE AND AWWA M-14.
 AWWA AND USFCFCCR APPROVED.

BYPASS TO BE SIZED BY DESIGN ENGINEER TO
 PROVIDE A MINIMUM OF DOMESTIC FLOWS,
 HOWEVER THE MINIMUM SIZE SHALL BE 2"

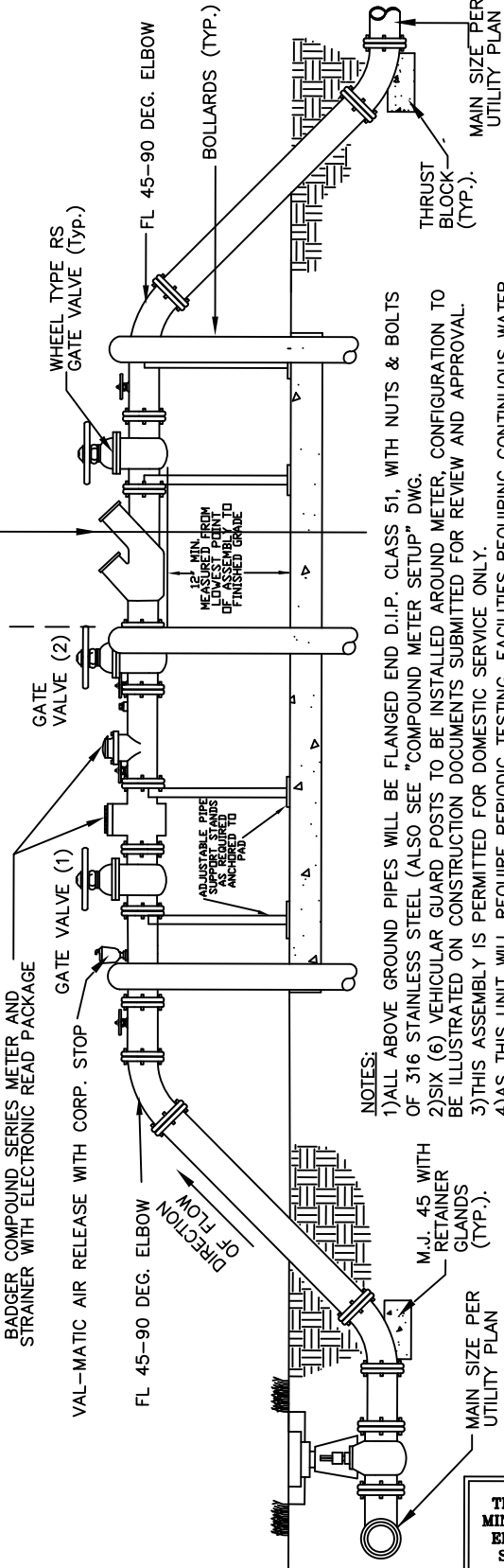


NOTES:

- 1) GATE VALVES (1) AND (2) ARE THE SAME VALVES IN ALL VIEWS.
- 2) THE BACKFLOW ASSEMBLY SHALL BE ASSEMBLED AFTER GATE VALVE (2).

OWNERS RESPONSIBILITY

CITY'S RESPONSIBILITY



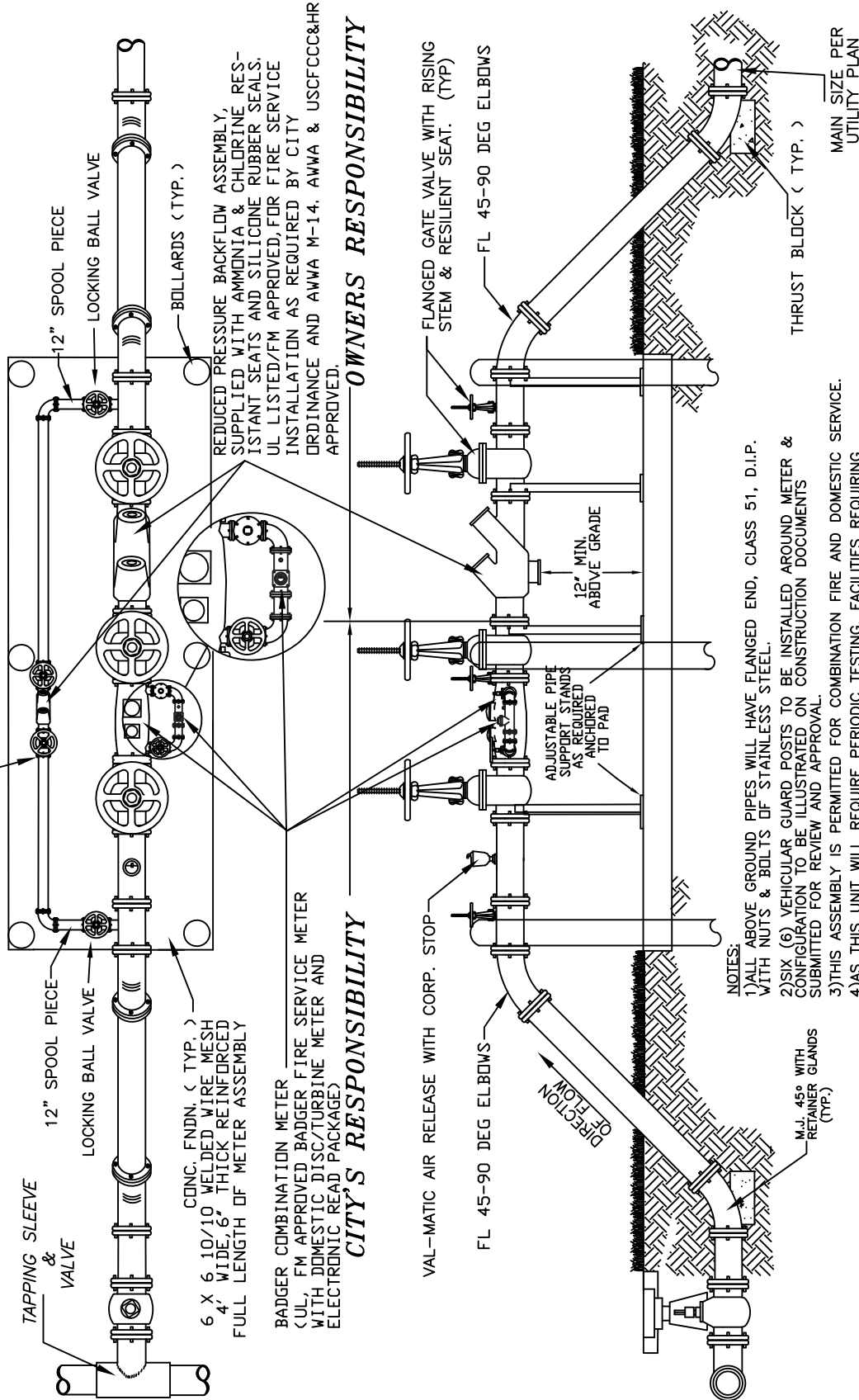
NOTES:

- 1) ALL ABOVE GROUND PIPES WILL BE FLANGED END D.I.P. CLASS 51, WITH NUTS & BOLTS OF 316 STAINLESS STEEL (ALSO SEE "COMPOUND METER SETUP" DWG.
- 2) SIX (6) VEHICULAR GUARD POSTS TO BE INSTALLED AROUND METER, CONFIGURATION TO BE ILLUSTRATED ON CONSTRUCTION DOCUMENTS SUBMITTED FOR REVIEW AND APPROVAL.
- 3) THIS ASSEMBLY IS PERMITTED FOR DOMESTIC SERVICE ONLY.
- 4) AS THIS UNIT WILL REQUIRE PERIODIC TESTING, FACILITIES REQUIRING CONTINUOUS WATER SERVICE MAY WISH TO INSTALL PARALLEL UNITS OR FULL SIZE BYPASSES TO PREVENT SERVICE INTERRUPTIONS.
- 5) BACKFLOW UNITS REQUIRE INITIAL CERTIFICATION BY CITY OF NAPLES WATER DEPARTMENT (Backflow Division)
- 6) BYPASS LINE SHALL BE USED ONLY DURING REPAIR, TESTING, MAINTENANCE, REPLACEMENT, OR EMERGENCY OF THE DOMESTIC METER/BACKFLOW ASSEMBLY
- 7) CITY WILL REQUIRE DEDICATION OF ALL ABOVE GROUND MATERIAL AND EQUIPMENT BACK TO THE CITY WATER MAIN.
- 8) ALL PLANTINGS SHALL BE A MINIMUM OF 3' FROM EDGE OF SLAB, AND PROVIDE A 3' ACCESS OPENING.
- 9) ALL ABOVE GROUND PIPING INCLUDING ASSEMBLY WILL BE PAINTED RUSTOLEUM FEDERAL SAFETY BLUE OR AS PER CITY ORDINANCE 66-66H
- 10) PROVIDE LINE SIZE GATE VALVE AT HOT TAP TO CITY WATER MAIN

**THIS DETAIL CONSTITUTES
 MINIMUM STANDARDS. DESIGN
 ENGINEERS SHALL PROVIDE
 STANDARDS EQUAL TO OR
 GREATER THAN THESE.**

FOR:	UTILITIES ENGINEERING DIVISION	CITY OF NAPLES
DATE: SEPT 2010	3" AND LARGER DOMESTIC METER ASSEMBLY	SHEET: W-02
DRAWN: JAF		DIR: WATER
SCALE: N.T.S.		DWG. W-02.DWG
	380 RIVERSIDE CIRCLE, NAPLES, FL. 34102	

BYPASS TO BE SIZED BY DESIGN ENGINEER TO PROVIDE A MINIMUM OF DOMESTIC FLOWS. HOWEVER THE MINIMUM SIZE SHALL BE 2" FOR ALL METERS UP TO 4" & 3" FOR ALL METERS LARGER THAN 4"



REDUCED PRESSURE BACKFLOW ASSEMBLY, SUPPLIED WITH AMMONIA & CHLORINE RESISTANT SEATS AND SILICONE RUBBER SEALS. UL LISTED/FM APPROVED, FOR FIRE SERVICE INSTALLATION AS REQUIRED BY CITY ORDINANCE AND AWA M-14. AWA & USC FCC&HR APPROVED.

OWNERS RESPONSIBILITY

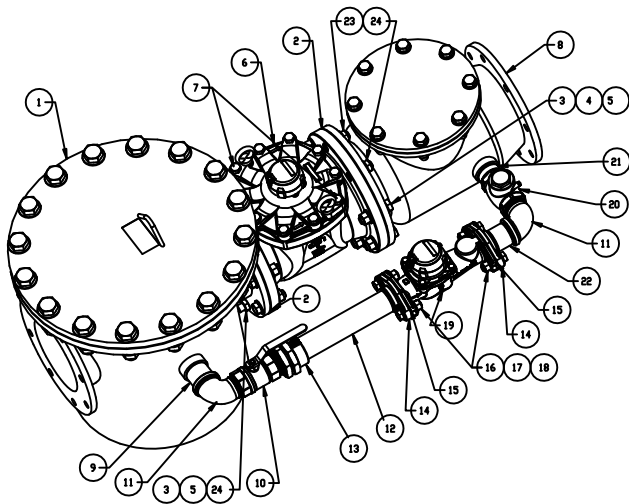
CITY'S RESPONSIBILITY

THIS DETAIL CONSTITUTES MINIMUM STANDARDS. DESIGN ENGINEERS SHALL PROVIDE STANDARDS EQUAL TO OR GREATER THAN THESE.

- NOTES:
- 1) ALL ABOVE GROUND PIPES WILL HAVE FLANGED END, CLASS 51, D.I.P. WITH NUTS & BOLTS OF STAINLESS STEEL.
 - 2) SIX (6) VEHICULAR GUARD POSTS TO BE INSTALLED AROUND METER & CONFIGURATION TO BE ILLUSTRATED ON CONSTRUCTION DOCUMENTS SUBMITTED FOR REVIEW AND APPROVAL.
 - 3) THIS ASSEMBLY IS PERMITTED FOR COMBINATION FIRE AND DOMESTIC SERVICE.
 - 4) AS THIS UNIT WILL REQUIRE PERIODIC TESTING, FACILITIES REQUIRING CONTINUOUS WATER SERVICE MAY WISH TO INSTALL PARALLEL UNITS OR FULL SIZE BYPASSES TO PREVENT SERVICE INTERRUPTIONS.
 - 5) BACKFLOW UNIT REQUIRES INITIAL CERTIFICATION BY CITY OF NAPLES WATER DEPARTMENT (Backflow Division).
 - 6) CITY REQUIRES DEDICATION OF ALL ABOVE GROUND MATERIAL AND EQUIPMENT BACK TO THE CITY WATER MAIN.
 - 7) ALL PLANTS SHALL BE A MINIMUM OF 3' TALL & 3' FROM EDGE OF SLAB AND PROVIDE A 3' ACCESS OPENING.
 - 8) ALL ABOVE GROUND PIPING INCLUDING ASSEMBLY WILL BE PAINTED RUSTOLEUM FEDERAL SAFETY BLUE, OR AS PER CITY ORDINANCE 66-66H
 - 9) BYPASS LINE SHALL BE USED ONLY DURING REPAIR, TESTING, MAINTENANCE, REPLACEMENT, OR EMERGENCY OF THE DOMESTIC METER/BACKFLOW ASSEMBLY

FOR:	UTILITIES ENGINEERING DIVISION	CITY OF NAPLES
DATE: SEPT 2010	3" AND LARGER COMBINATION	SHEET: W-03
DRAWN: JAF	FIRE & DOMESTIC METER ASSEMBLY	DIR: WATER
SCALE: N.T.S.	380 RIVERSIDE CIRCLE, NAPLES, FL. 34102	DWG. W-03.DWG

STANDARD BADGER RECORDALL METERS AND REGISTERS WITH ITRON RADIO READ PACKAGE AND NSF61 APPROVED FSAA W/ DISC BYPASS

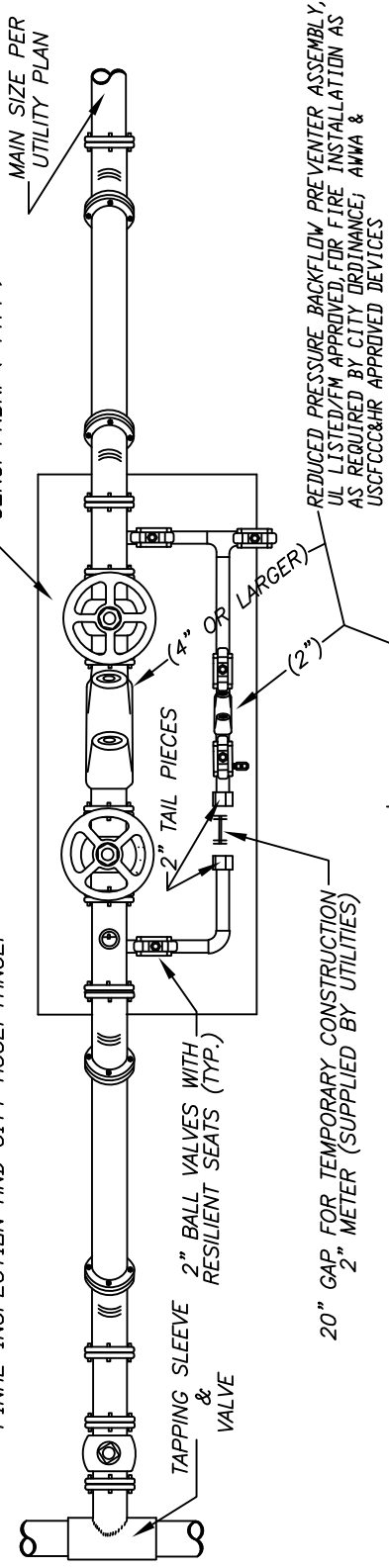


ITEM NO.	PART
1	STRAINER
2	GASKET
3	BOLTS
4	NUTS
5	WASHERS
6	CI TURBO SERIES METER
7	REGISTER-MAIN LINE TURBO
8	CHECK VALVE,MAIN LINE
9	NIPPLES
10	BALL VALVE
11	ELBOW
12	HALF NIPPLE
13	COUPLER
14	FLANGES
15	O-RING
16	BOLTS
17	NUTS
18	WASHERS
19	DISC SERIES METER
20	CHECK VALVE-BYPASS
21	NIPPLES
22	NIPPLES
23	STUDS(6"&8"ONLY)
24	JAM NUTS (6"&8"ONLY)
25	WASHER
31	TEE
32	PIPE PLUG
33	NIPPLE
34	NIPPLE

THIS DETAIL CONSTITUTES
MINIMUM STANDARDS. DESIGN
ENGINEERS SHALL PROVIDE
STANDARDS EQUAL TO OR
GREATER THAN THESE.

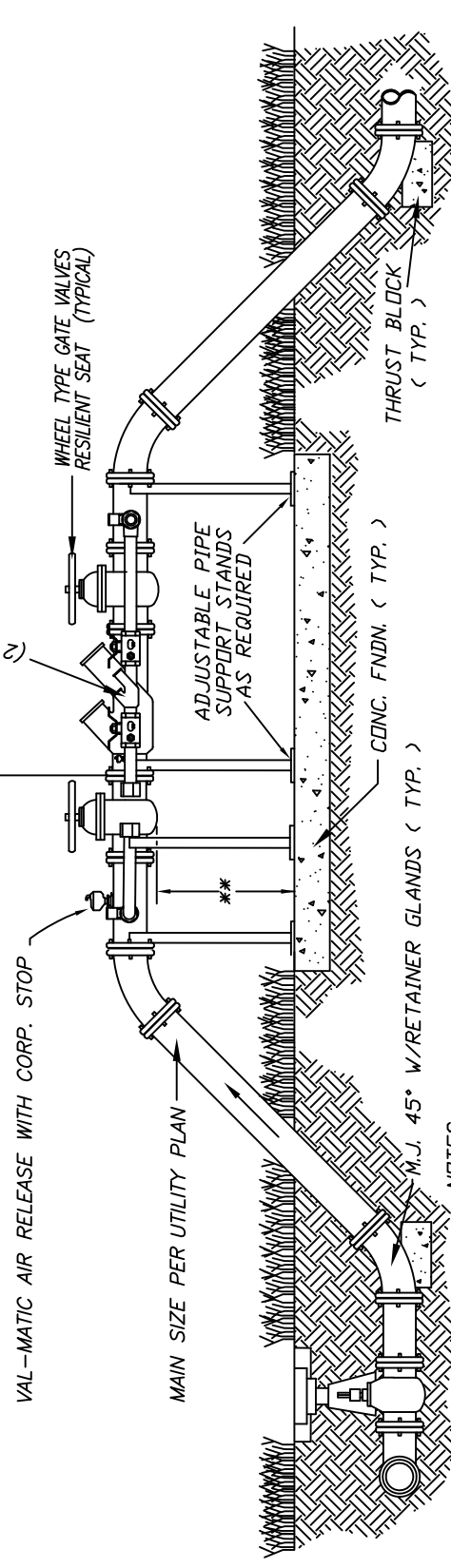
FOR:	UTILITIES ENGINEERING DIVISION	CITY OF NAPLES
DATE: SEPT 2010	4" AND LARGER COMBINATION FIRE & DOMESTIC METER ASSEMBLY	SHEET: W-04
DRAWN: JAF		DIR: WATER
SCALE: N.T.S.	380 RIVERSIDE CIRCLE, NAPLES, FL. 34102	DWG. W-04.DWG

NOTE: ASSEMBLY NOT TO BE REMOVED AND SPOOL PIECE INSTALLED FOR FINAL CONNECTION UNTIL AFTER TESTING, BACTERIAL CLEARANCE, FINAL INSPECTION AND CITY ACCEPTANCE.



CITY'S RESPONSIBILITY

OWNERS RESPONSIBILITY



- NOTES:
- 1) ALL ABOVE GROUND PIPE WILL HAVE FLANGED END D.I.P. CLASS 51
 - 2) ALL NUTS & BOLTS SHALL BE 316 STAINLESS STEEL
 - 3) ASSEMBLY IS REQUIRED TO BE FLUSHED, CHLORINATED AND BACTERIAL CLEARED BEFORE PLACEMENT IN SERVICE.
 - 4) BACKFLOW UNIT REQUIRES INITIAL CERTIFICATION BY CITY OF NAPLES WATER DEPARTMENT (Backflow Division).
 - 5) CONTRACTOR IS REQUIRED TO PROVIDE 8' OF 3/8 CHAIN AT TIME OF INSTALLATION.
 - 6) INSPECTIONS ARE REQUIRED FOR SYSTEM TIE-IN AND ASSEMBLY CONNECTION.

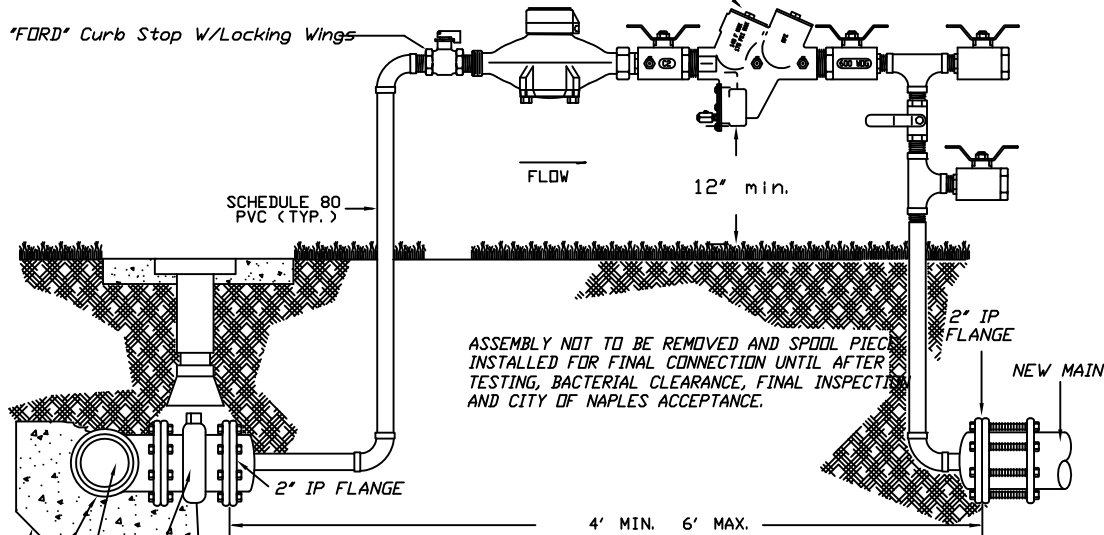
** 12" MINIMUM ABOVE MAXIMUM FLOOD PLANE LEVEL.
(Dimension Taken From Lowest Point on Assembly)

THIS DETAIL CONSTITUTES MINIMUM STANDARDS. DESIGN ENGINEERS SHALL PROVIDE STANDARDS EQUAL TO OR GREATER THAN THESE.

FOR:	UTILITIES ENGINEERING DIVISION	CITY OF NAPLES
DATE: SEPT 2010	TEMPORARY BACKFLOW PREVENTERS &	SHEET: W-05
DRAWN: JAF	CONSTRUCTION TIE-IN ASSEMBLY	DIR: WATER
SCALE: N.T.S.	380 RIVERSIDE CIRCLE, NAPLES, FL. 34102	DWG. W-05.DWG

REDUCED PRESSURE BACKFLOW PREVENTER ASSEMBLY SUPPLIED WITH AMMONIA & CHLORINE RESISTANT SEATS AND SILICONE RUBBER SEALS. AWWA & USFC&HR APPROVED

FORD Curb Stop W/Locking Wings

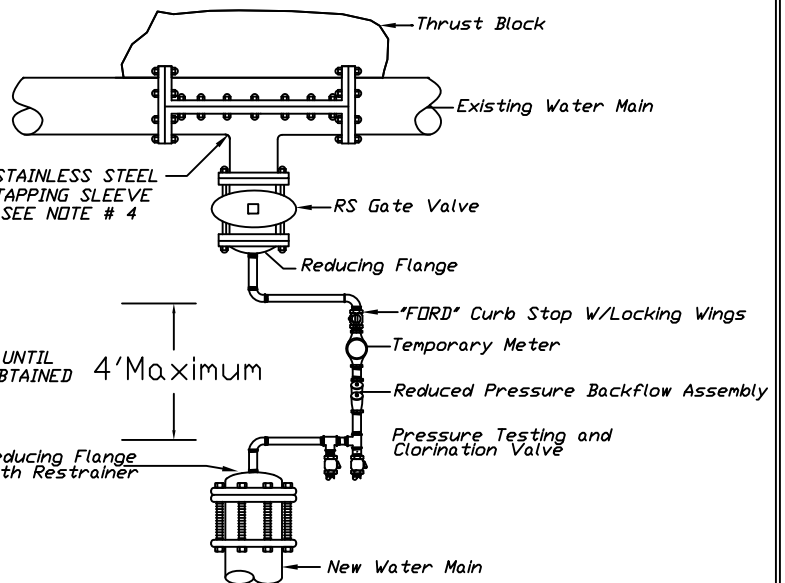


NOTES:

1. FINAL CONNECTION TO BE WITNESSED BY CITY OF NAPLES UTILITIES DIVISION.
2. BLIND FLANGES TO BE PROPERLY RESTRAINED.
3. INSTALL JUMPER TAP SYSTEM FOR TEMPORARY METER DOWNSTREAM OF BLIND FLANGE FOR PRESSURE AND BACTEE TESTING
4. 4" TO 12" TAPPING SLEEVES SHALL BE STAINLESS STEEL ALL TAPPING SADDLES OVER 12" AND LINE SIZE BORES SHALL BE PERFORMED WITH A DUCTILE IRON SPLIT TAPPING SADDLE OR A STAINLESS STEEL SLEEVE AT CITY'S OPTION.
5. JUMPER ASSEMBLY MUST BE A MINIMUM OF 18" ABOVE FINISHED GRADE.
6. BACKFLOW ASSEMBLY REQUIRES INITIAL CERTIFICATION BY CITY OF NAPLES WATER DEPARTMENT (Backflow Division)

GATE VALVE < MAIN LINE HOT TAP >
EXISTING MAIN
STAINLESS STEEL SLEEVE

THRUST BLOCK



NOTES:

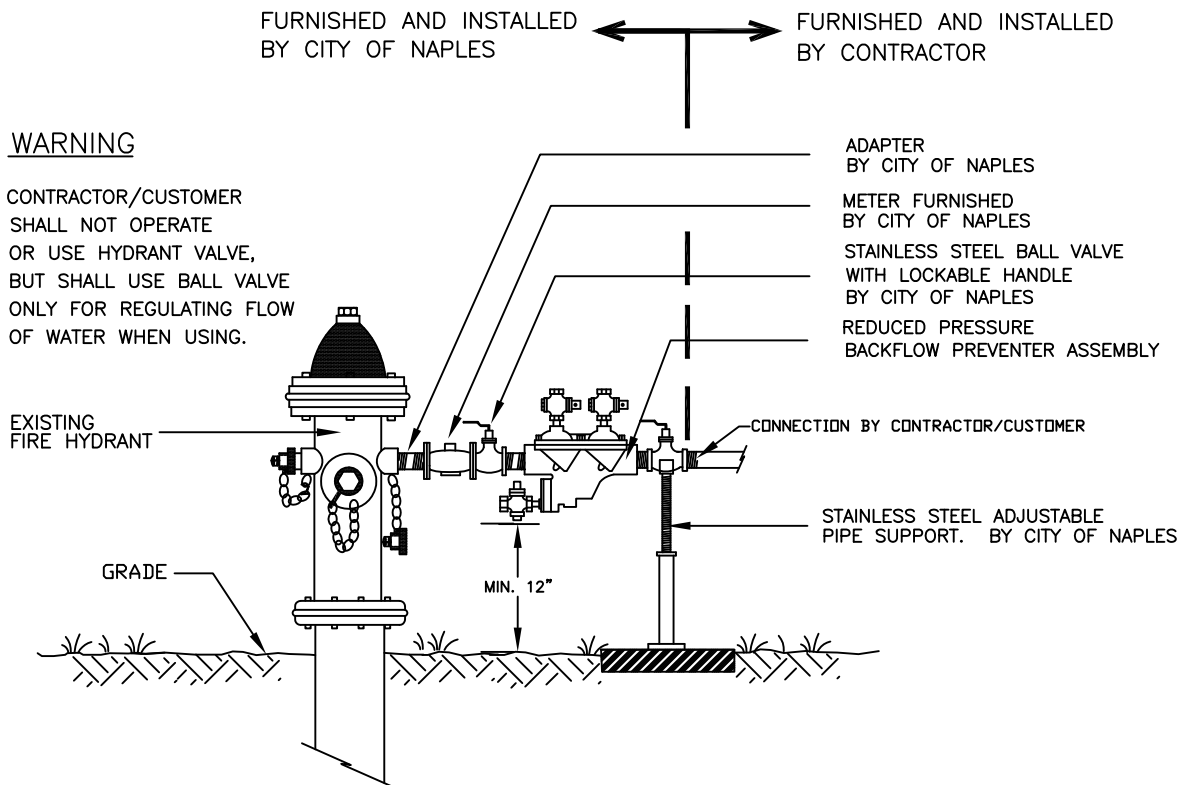
1. DO NOT INSTALL JUMPER PIPE & REMOVE BY-PASS UNTIL ALL TESTING & BACTERIAL CLEARANCE HAS BEEN OBTAINED
2. ALL NEW PIPING SHALL BE PROPERLY RESTRAINED

THIS DETAIL CONSTITUTES MINIMUM STANDARDS. DESIGN ENGINEERS SHALL PROVIDE STANDARDS EQUAL TO OR GREATER THAN THESE.

FOR:	UTILITIES ENGINEERING DIVISION	CITY OF NAPLES
DATE: SEPT 2010	TEMP. WATER SERVICE - HOTTAP & JUMPER METER CONNECTION	SHEET: W-06
DRAWN: JAF		DIR: WATER
SCALE: N.T.S.	380 RIVERSIDE CIRCLE, NAPLES, FL. 34102	DWG. W-06.DWG

CITY OF NAPLES
TYPICAL INSTALLATION DETAIL FOR FIRE HYDRANT
WITH NO LARGER THAN 2 INCH TEMPORARY WATER SERVICE

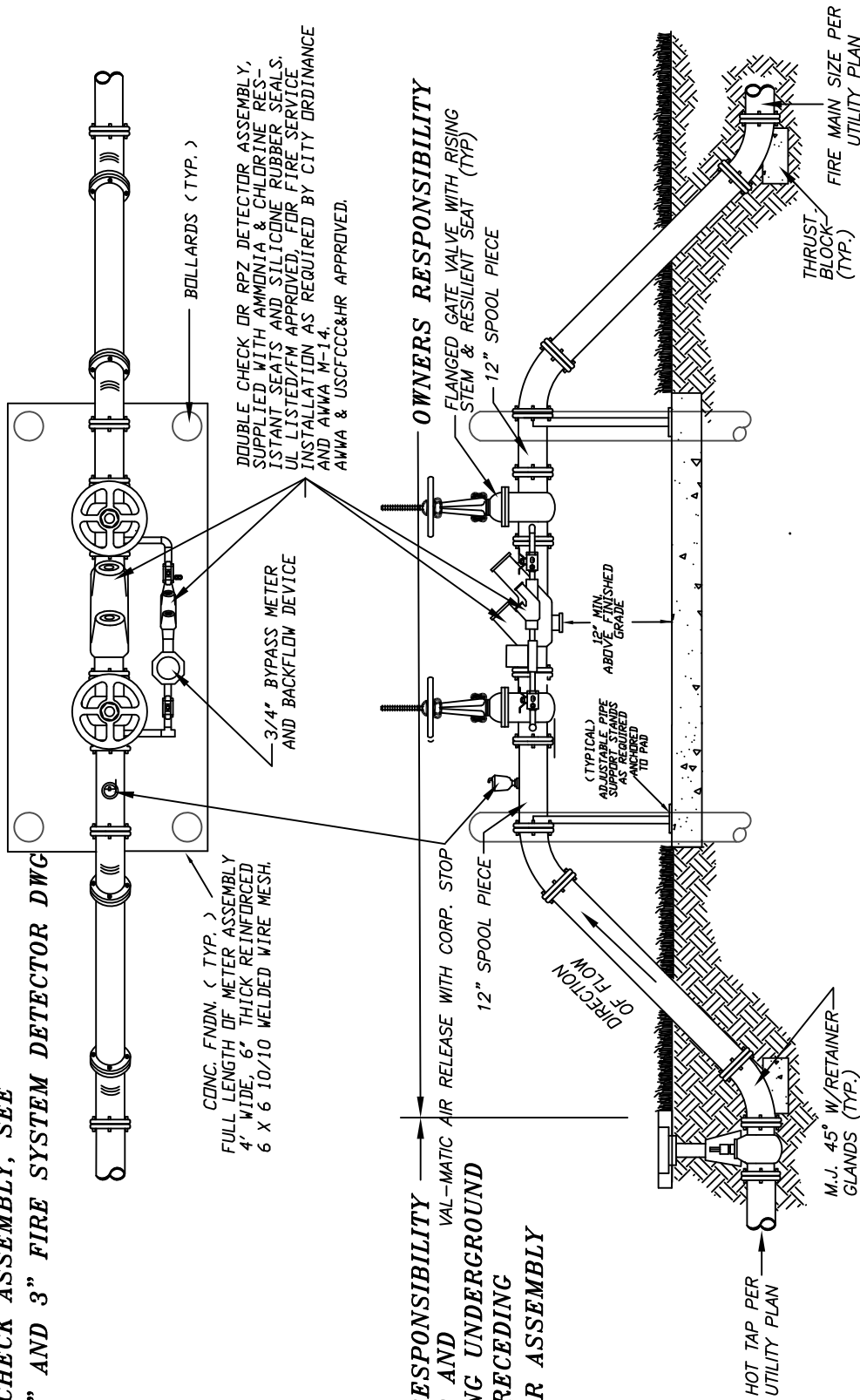
1. CONTRACTOR/CUSTOMER SHALL APPLY AT CITY OF NAPLES WATER COMPANY FOR TEMPORARY WATER SERVICE THREE DAYS PRIOR TO REQUIRED SERVICE DATE.
2. METER, LOCKABLE STAINLESS STEEL BALL VALVE AND PIPE SUPPORT WILL BE FURNISHED AND INSTALLED BY CITY OF NAPLES WATER COMPANY.
3. ALL FITTINGS, PIPING, VALVES AND MATERIALS INCLUDING THE APPROVED REDUCED PRESSURE PREVENTION DEVICE SHALL BE FURNISHED, INSTALLED AND TESTED BY CITY OF NAPLES WATER COMPANY.
4. CONTRACTOR/CUSTOMER SHALL PROVIDE PROTECTION FOR ASSEMBLY FROM DAMAGE.
6. THE CONTRACTOR/CUSTOMER SHALL PROVIDE A LOCK FOR USE WITH BALL VALVE AND SHALL USE ONLY THE BALL VALVE, NOT THE HYDRANT VALVE, FOR CONTROLLING WATER USED FROM THE FIRE HYDRANT.
7. BY APPLYING FOR SERVICE, CONTRACTOR/CUSTOMER AGREES TO TAKE WATER SERVICE FROM CITY OF NAPLES WATER COMPANY IN ACCORDANCE WITH THE APPROPRIATE RATE SCHEDULE AND IN ACCORDANCE WITH COMPANY RULES AND REGULATIONS, OR ANY SUPERSEDING RATE SCHEDULE AND/OR RULES AND REGULATIONS.



THIS DETAIL CONSTITUTES MINIMUM STANDARDS. DESIGN ENGINEERS SHALL PROVIDE STANDARDS EQUAL TO OR GREATER THAN THESE.

FOR:	UTILITIES ENGINEERING DIVISION	CITY OF NAPLES
DATE: SEPT 2010	<i>TEMPORARY WATER SERVICE – FIRE HYDRANT CONNECTION</i>	SHEET: W-07
DRAWN: JAF		DIR: WATER
SCALE: N.T.S.	380 RIVERSIDE CIRCLE, NAPLES, FL. 34102	DWG. W-07.DWG

FOR 2" AND 3" FIRE SYSTEM DETECTOR CHECK ASSEMBLY, SEE 2" AND 3" FIRE SYSTEM DETECTOR DWG



CONC. FNDN. (TYP.)
 FULL LENGTH OF METER ASSEMBLY
 4" WIDE, 6" THICK REINFORCED
 6 X 6 10/10 WELDED WIRE MESH.

CITY'S RESPONSIBILITY
 - UP TO AND INCLUDING UNDERGROUND VALVE PRECEDING DETECTOR ASSEMBLY

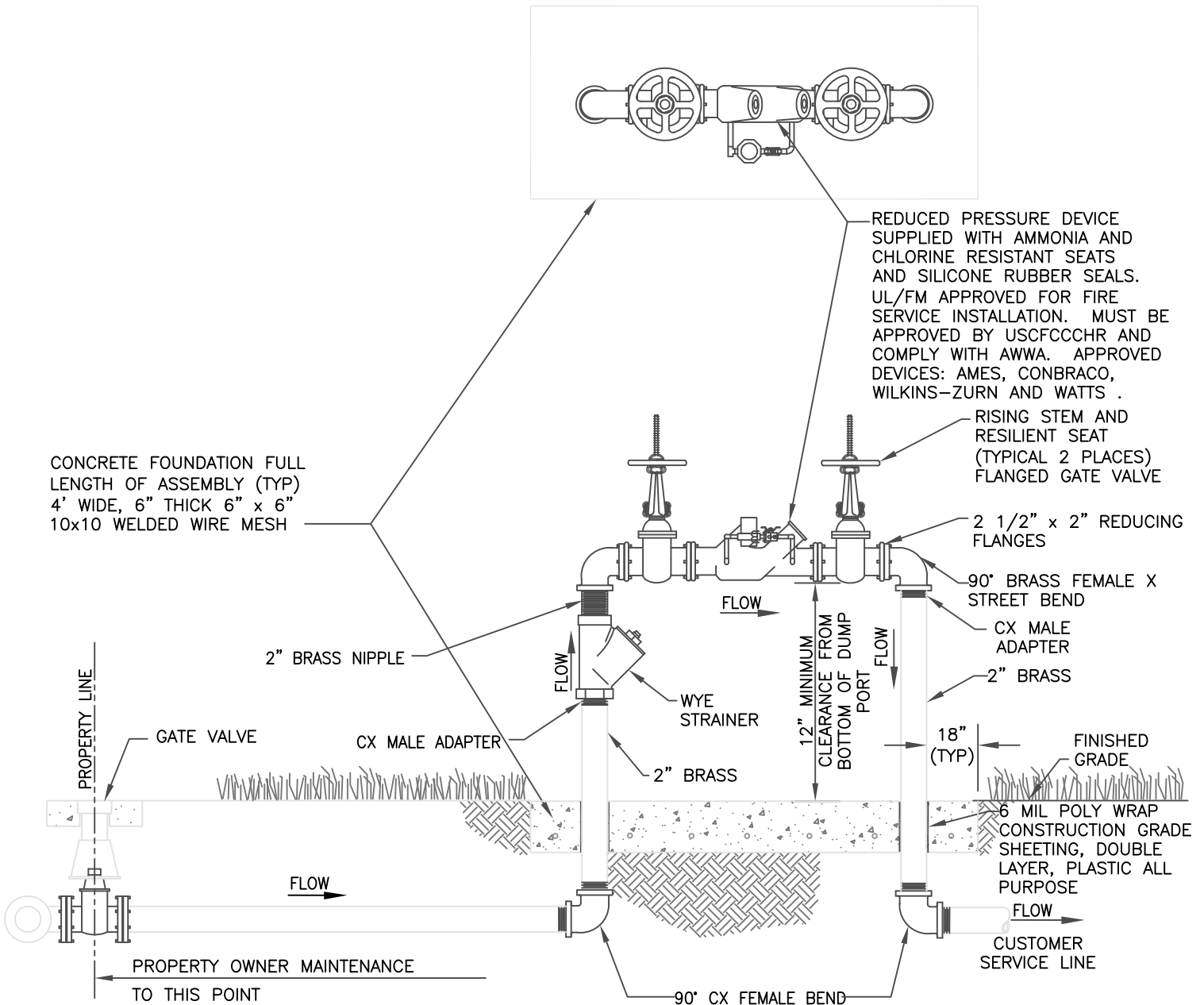
OWNERS RESPONSIBILITY
 - FLANGED GATE VALVE WITH RISING STEM & RESILIENT SEAT (TYP)
 - 12" SPOOL PIECE

NOTES:

- 1) ALL ABOVE GROUND PIPE WILL HAVE FLANGED END D.I.P. CLASS 51 ALL NUTS & BOLTS SHALL BE 316 STAINLESS STEEL.
- 2) FOUR (4) VEHICULAR GUARD POSTS TO BE INSTALLED AROUND METER. CONFIGURATION TO BE ILLUSTRATED ON CONSTRUCTION DOCUMENTS SUBMITTED FOR REVIEW AND APPROVAL.
- 3) AS THIS UNIT WILL REQUIRE PERIODIC TESTING, FACILITIES REQUIRING CONTINUOUS WATER SERVICE MAY WISH TO INSTALL PARALLEL UNITS TO PREVENT SERVICE INTERRUPTIONS.
- 4) BACKFLOW ASSY. WILL BE OWNED & MAINTAINED BY PROPERTY OWNER.
- 5) CITY WILL REQUIRE DEDICATION OF MATERIAL UP TO AND INCLUDING THE UNDERGROUND ISOLATION VALVE PRECEDING THE DETECTOR ASSEMBLY.
- 6) BACKFLOW UNIT REQUIRES INITIAL CERTIFICATION BY CITY OF NAPLES WATER DEPARTMENT (Backflow Division).
- 7) ALL PLANTINGS SHALL BE A MINIMUM OF 3' FROM EDGE OF SLAB, AND PROVIDE A 3' ACCESS OPENING.
- 8) ALL ABOVE GROUND PIPING INCLUDING ASSEMBLY WILL BE PAINTED RUSTOLEUM FEDERAL SAFETY RED OR PER CITY ORDINANCE 66-66H.
- 9) FOR 2" AND 3" FIRE SYSTEM DETECTOR CHECK ASSEMBLY W/O FIRE HYDRANT DOWNSTREAM DETAIL DWG., SEE 2" AND 3" FIRE SYSTEM DETECTOR DWG

THIS DETAIL CONSTITUTES MINIMUM STANDARDS. DESIGN ENGINEERS SHALL PROVIDE STANDARDS EQUAL TO OR GREATER THAN THESE.

FOR:	UTILITIES ENGINEERING DIVISION	CITY OF NAPLES
DATE: SEPT 2010	FIRE SYSTEM	SHEET: W-08
DRAWN: JAF	DETECTOR CHECK ASSEMBLY	DIR: WATER
SCALE: N.T.S.	380 RIVERSIDE CIRCLE, NAPLES, FL. 34102	DWG. W-08.DWG

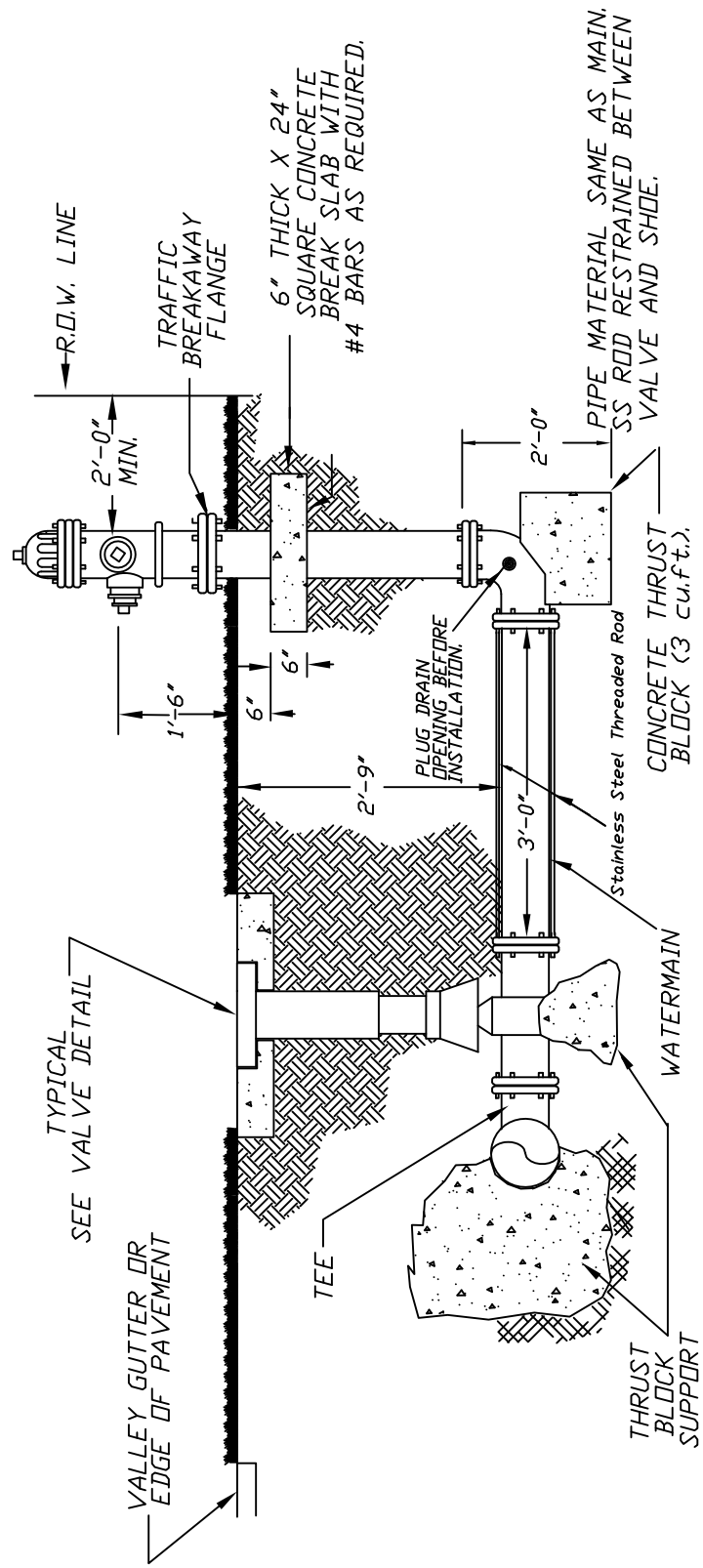


NOTES:

- 1) NO FIRE HYDRANT CONNECTIONS OR DOMESTIC SERVICE CONNECTIONS PERMITTED DOWNSTREAM OF ASSEMBLY.
- 2) ASSEMBLY WILL BE OWNED AND MAINTAINED BY PROPERTY OWNER, STARTING FROM THE GATE VALVE AT PROPERTY LINE. PLACE BOLLARDS AROUND ASSEMBLY IF NECESSARY.
- 3) BACKFLOW DEVICE REQUIRES INITIAL CERTIFICATION BY AN APPROVED CERTIFIED TESTER, WITH RESULTS AND ANNUAL TEST RESULTS SUBMITTED TO THE CITY WATER DEPARTMENT.
- 4) ALL PLANTING SHALL BE A MINIMUM OF 3' FROM EDGE OF SLAB, AND SHALL PROVIDE A 3' ACCESS OPENING.
- 5) THIS ASSEMBLY SHALL BE PAINTED WITH RED EPOXY PAINT.
- 6) ALL COMPONENTS THAT COME INTO CONTACT WITH DRINKING WATER SHALL CONFORM TO NSF STANDARD 61.
- 7) PROVIDE 3/4" BYPASS WITH FLOW METER.

THIS DETAIL CONSTITUTES MINIMUM STANDARDS. DESIGN ENGINEERS SHALL PROVIDE STANDARDS EQUAL TO OR GREATER THAN THESE.

FOR:	UTILITIES ENGINEERING DIVISION	CITY OF NAPLES
DATE: SEPT 2010	2" & 3" FIRE SYSTEM DETECTOR CHECK ASSEMBLY W/O FH DOWNSTREAM	SHEET: W-09
DRAWN: JAF		DIR: WATER
SCALE: N.T.S.	380 RIVERSIDE CIRCLE, NAPLES, FL. 34102	DWG. W-09.DWG



SEE VALVE DETAIL

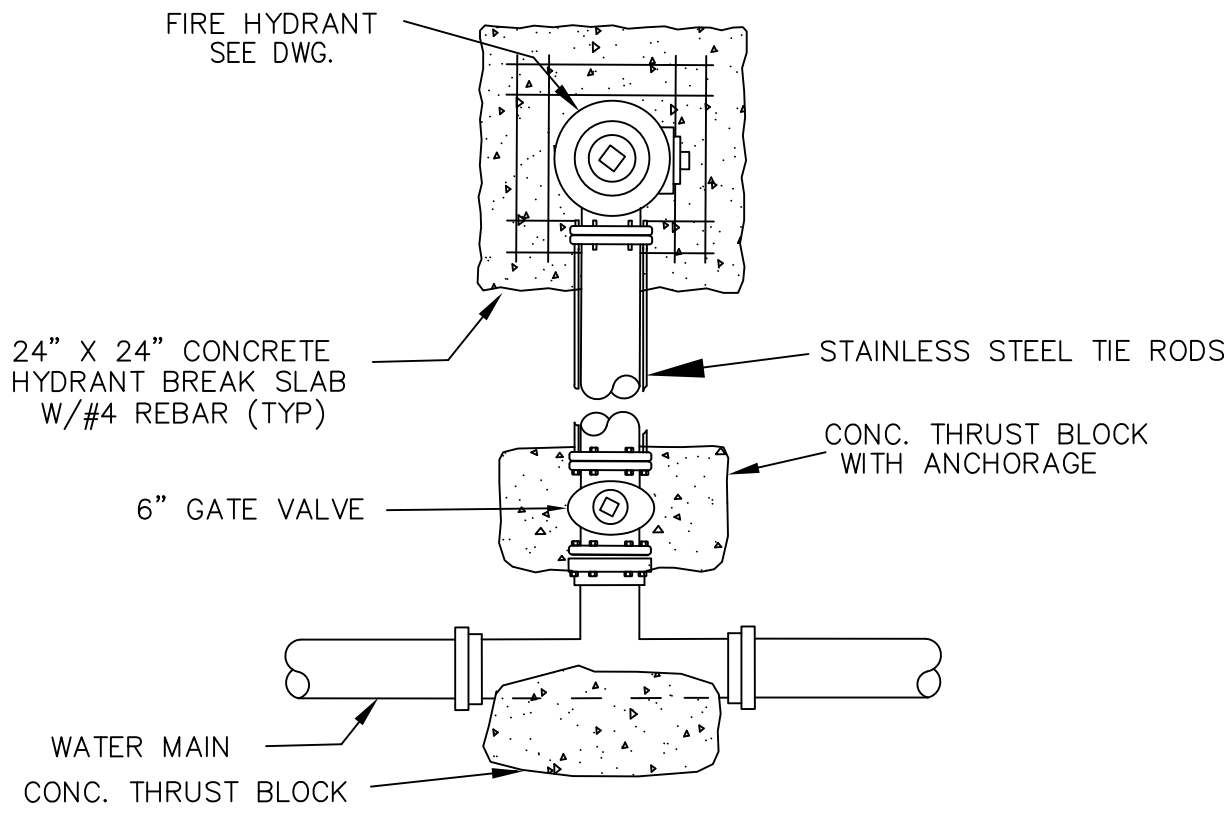
VALLEY GUTTER OR
EDGE OF PAVEMENT

CITY OF NAPLES FIRE HYDRANT REQUIREMENTS:

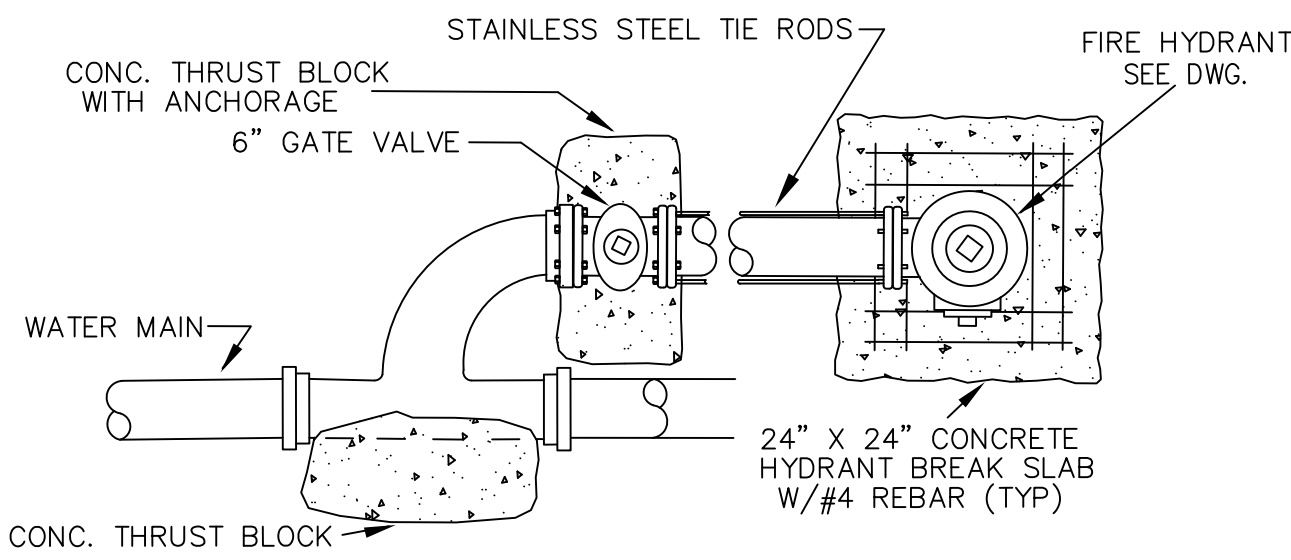
- 1) All Hydrants installed on City Water Mains shall meet AWWA C-502-85 (latest revision) & AWWA Manual M-17 for Dry Barrel Fire Hydrants.
- 2) All Hydrants shall carry AWWA recommendations for uniform color scheme as per Federal Standard 595A, Fire Jurisdiction shall dictate approved colors and paint after F.S.595A has been met. Private Hydrants shall be so designated by Fire jurisdiction regarding colors and schemes beyond F.S.595A.
- 3) In addition to meeting AWWA, City hydrants shall be UL/FM approved (2) 2 1/2" hose nozzles; (3) and equipped with (1) 4 1/2" pumper nozzle; 5-1/4" diameter main valve. Shoe interior and exterior shall be coated with 8 mil epoxy. Pumper nozzle and hose nozzle caps shall be secured with chains.
- 4) Final landscaping elevation/grade shall be a minimum 18" and maximum of 24" to the centerline of the pumper nozzle. All fencing, or other obstructions shall not be placed closer than 3' from hydrant to allow free unrestricted access.
- 5) Upon Hydrant installation, Hydrant shall be flow tested as per AWWA M17 and appropriately color coded per Federal Standard 575A
- 6) Manufacture year must be cast on barrel.
- 7) Six (6") to 12" tapping saddle may be either 316 stainless steel or C.I. at City Engineer's option. All line size taps and those over 12" shall be C.I.
- 8) Hydrants shall be lubricated with food grade grease, no oil allowed, including internal bonnet lubrication.

THIS DETAIL CONSTITUTES
MINIMUM STANDARDS. DESIGN
ENGINEERS SHALL PROVIDE
STANDARDS EQUAL TO OR
GREATER THAN THESE.

FOR:	UTILITIES ENGINEERING DIVISION	CITY OF NAPLES
DATE: OCT 2012	HYDRANT DETAIL	SHEET: W-10
DRAWN: JAF		DIR: WATER
SCALE: N.T.S.	380 RIVERSIDE CIRCLE, NAPLES, FL. 34102	DWG. W-10.DWG



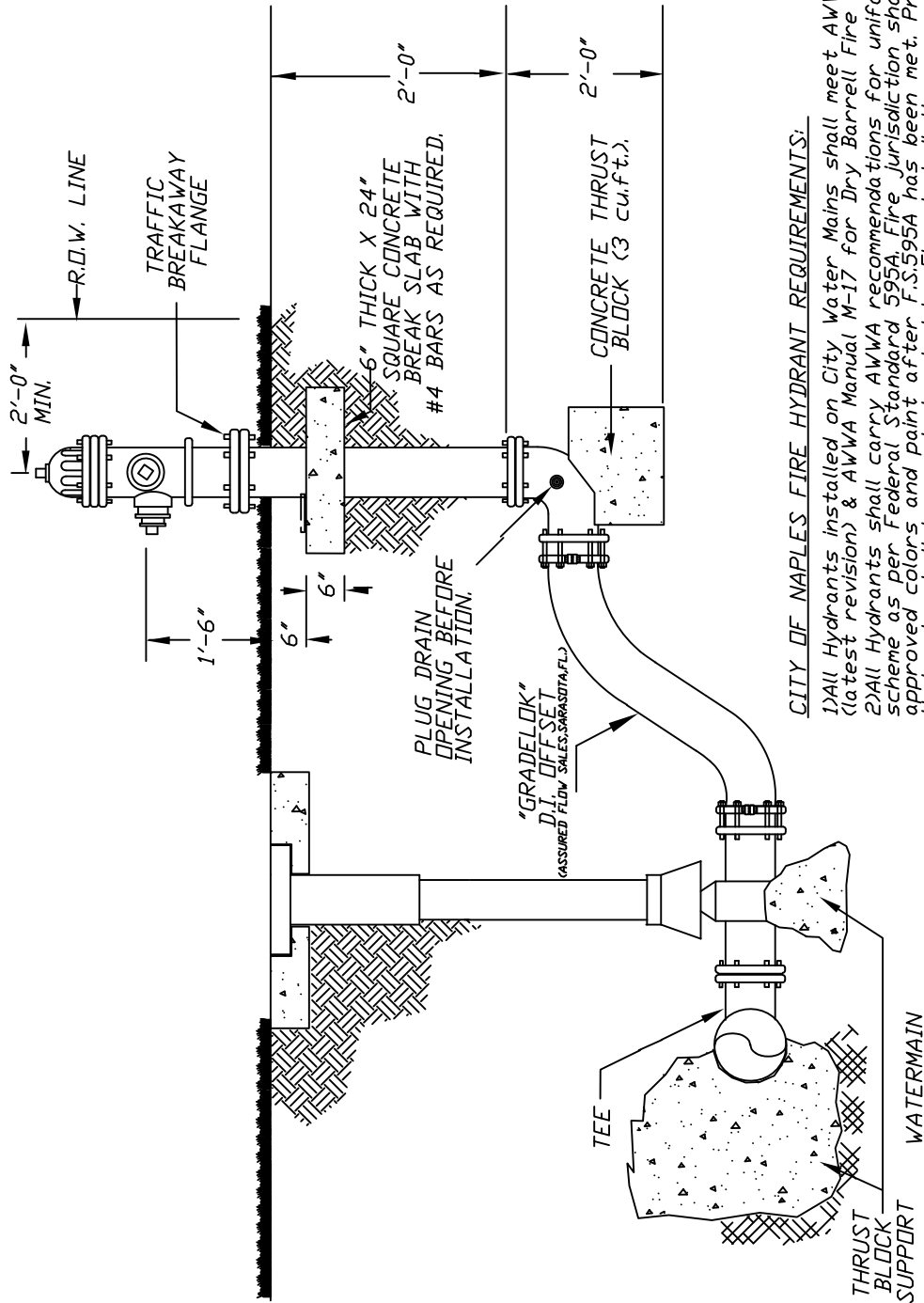
ANCHOR TEES



ANCHOR HYDRANT TEES

THIS DETAIL CONSTITUTES
 MINIMUM STANDARDS. DESIGN
 ENGINEERS SHALL PROVIDE
 STANDARDS EQUAL TO OR
 GREATER THAN THESE.

FOR:	UTILITIES ENGINEERING DIVISION	CITY OF NAPLES
DATE: SEPT 2010	<i>HYDRANT TEES</i>	SHEET: W-11
DRAWN: JAF		DIR: WATER
SCALE: N.T.S.	380 RIVERSIDE CIRCLE, NAPLES, FL. 34102	DWG. W-11.DWG

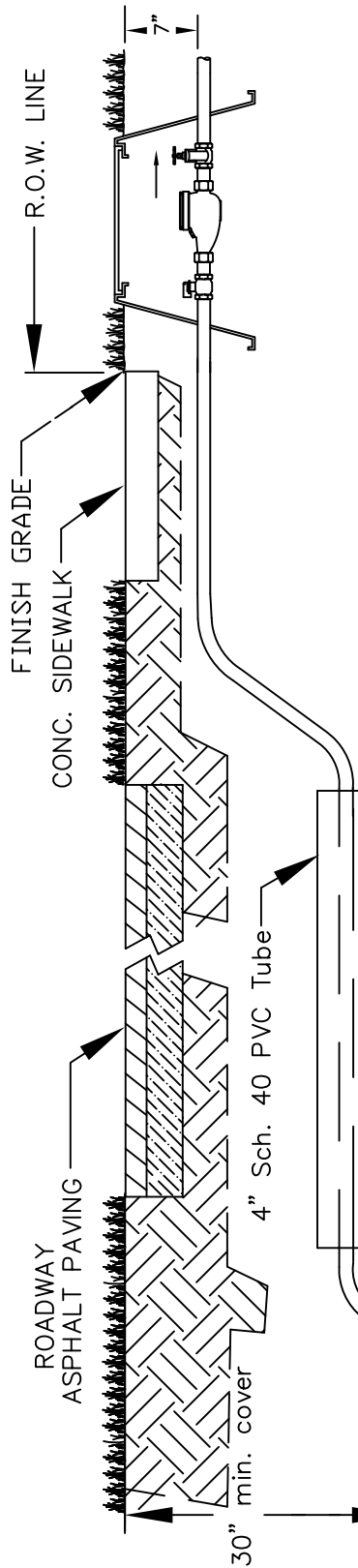


CITY OF NAPLES FIRE HYDRANT REQUIREMENTS:

- 1) All Hydrants installed on City Water Mains shall meet AWWA C-502-85 (latest revision) & AWWA Manual M-17 for Dry Barrel Fire Hydrants.
- 2) All Hydrants shall carry AWWA recommendations for uniform color, scheme as per Federal Standard 595A. Fire Jurisdiction shall dictate approved colors and paint after F.S.595A has been met. Private Hydrants shall be so designated by Fire Jurisdiction regarding colors and schemes beyond F.S.595A.
- 3) In addition to meeting AWWA, City hydrants shall be UL/FM approved and equipped with (1) 4 1/2" pumper nozzle; (2) 2 1/2" hose nozzles; (3) 5-1/4" diameter main valve. Shoe interior and exterior shall be coated with 8 mil epoxy. Pumper nozzle and hose nozzle caps shall be secured with chains.
- 4) Final landscaping elevation/grade shall be a minimum 18" and maximum of 24" to the centerline of the pumper nozzle. All fencing, or other obstructions shall not be placed closer than 3' from hydrant to allow free unrestricted access.
- 5) Upon Hydrant installation, Hydrant shall be flow tested as per AWWA M17 and appropriately color coded per Federal Standard 575A

THIS DETAIL CONSTITUTES MINIMUM STANDARDS. DESIGN ENGINEERS SHALL PROVIDE STANDARDS EQUAL TO OR GREATER THAN THESE.

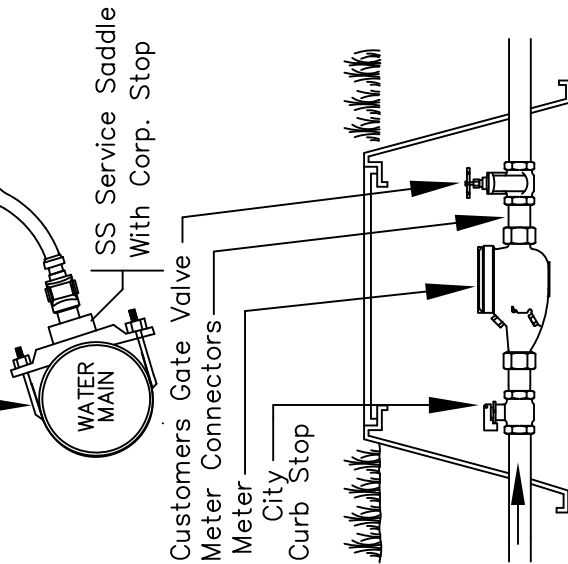
FOR:	UTILITIES ENGINEERING DIVISION	CITY OF NAPLES
DATE: SEPT 2010	FIRE HYDRANT DETAIL	SHEET: W-12
DRAWN: JAF		DIR: WATER
SCALE: N.T.S.	380 RIVERSIDE CIRCLE, NAPLES, FL. 34102	DWG. W-12.DWG



NOTES: "FORD" connectors C84-44 & C84-77 will be used for multi-service. Successive taps into Water Main will be no closer than 12" apart. All Casing Pipe shall extend a minimum of 2' beyond the edge of pavement, with a Casing diameter to be no less than 4".

MATERIAL SPECIFICATIONS

1. TAPPING SADDLES: Shall be Epoxy Coated Cast Iron with S.S.Straps and Bolts. AWWA approved with 1" or 2" FIP Thread pattern.
2. CORPORATION STOPS: Shall be BRASS = (1" CC THREAD X Pack Joint) (2" Iron Pipe X Pack Joint)
3. CURB STOPS: Shall be BRASS = { 1" IRON PIPE X Pack Joint W/Locking Wings) (2" Iron Pipe X Pack Joint W/Locking Wings)
4. TUBING: Shall be POLYETHYLENE, AWWA C-901, PE3408, SDR 9-200 & blue in color. Tubing sizes shall be 2" for long side, 1 1/2" for short side, and 2" for short side if a 1-1/2" or 2" meter exists short side.
5. LOCATING: All service laterals shall have a 3M Magnetic Marking Ball at the service saddle and tracer wire from the water main to the meter.



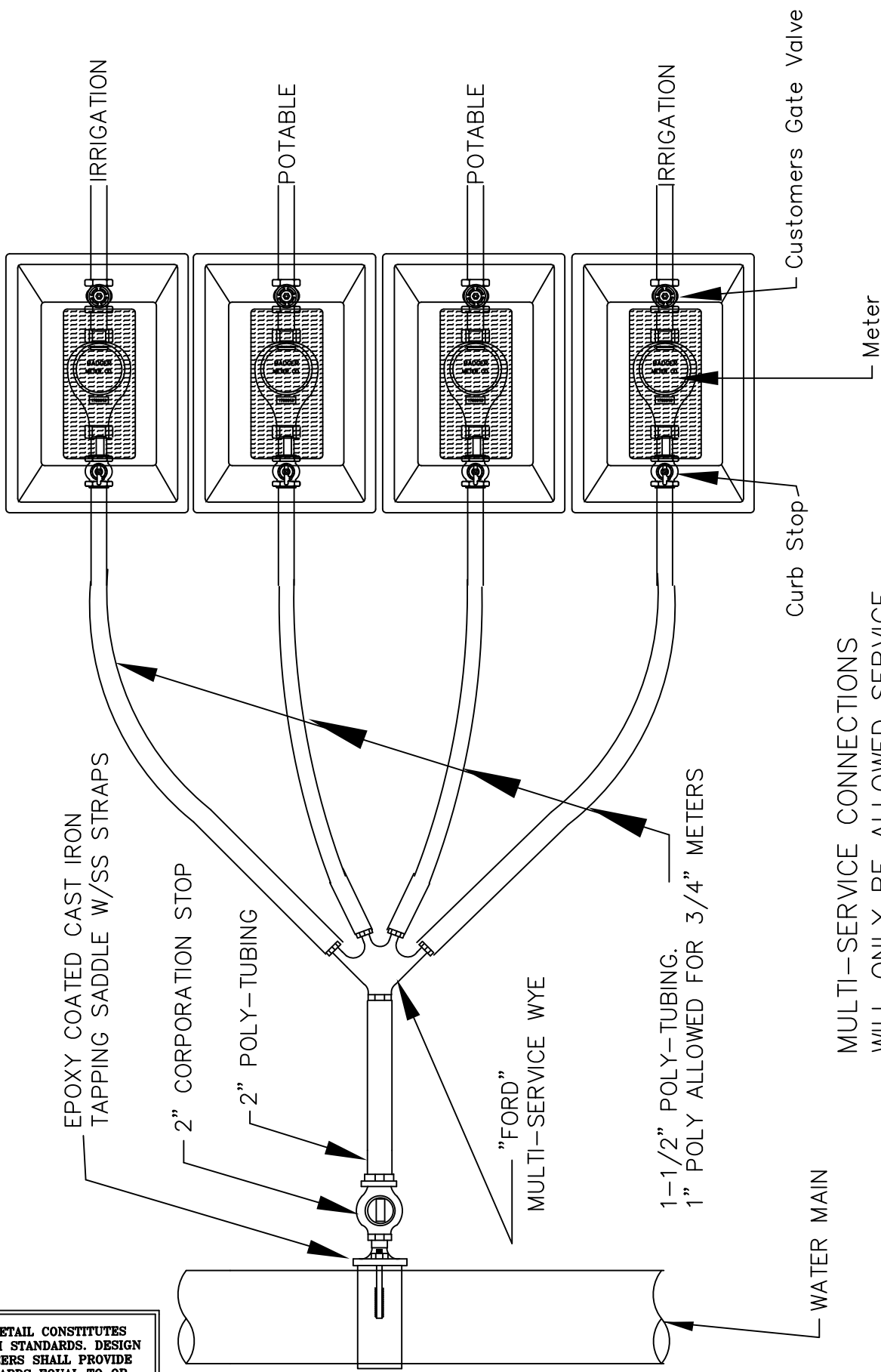
METER BOXES:

- 5/8" & 3/4" METERS REQUIRE A BROOKS & CARSON # 1419 PLASTIC METER BOX (MAINLY USED IN NONTRAFFIC AREAS)
- 5/8" & 3/4" METERS REQUIRE A BROOKS & CARSON #37 CONCRETE BOX W/TRAFFIC RATED LID (USED IN TRAFFIC AREAS)
- 1" & 1-1/2" METERS REQUIRE A BROOKS CARSON #1324 PLASTIC METER BOX (MAINLY USED IN NONTRAFFIC AREAS)
- 1" METERS REQUIRE A BROOKS CARSON #38 CONCRETE BOX W/TRAFFIC RATED LID (MAINLY USED IN TRAFFIC AREAS)
- 1-1/2" METERS REQUIRE A BROOKS CARSON #66 CONCRETE BOX W/TRAFFIC RATED LID (USED IN TRAFFIC AREAS)
- 2" METERS REQUIRE A BROOKS CARSON #1730 PLASTIC METER BOX (MAINLY USED IN NON-TRAFFIC AREAS)
- 2" METERS REQUIRE A BROOKS CARSON #66 CONCRETE BOX W/TRAFFIC RATED LID (USED IN TRAFFIC AREAS)

NOTE: ANY SUBMETERS DOWNSTREAM OF METER DEPICTED ON THIS DWG. SHALL BE OWNED AND MAINTAINED BY DEVELOPER

THIS DETAIL CONSTITUTES MINIMUM STANDARDS. DESIGN ENGINEERS SHALL PROVIDE STANDARDS EQUAL TO OR GREATER THAN THESE.

FOR:	UTILITIES ENGINEERING DIVISION	CITY OF NAPLES
DATE: SEPT 2010	<i>TYPICAL METER SETTING DETAIL</i>	SHEET: W-13
DRAWN: JAF		DIR: WATER
SCALE: N.T.S.	380 RIVERSIDE CIRCLE, NAPLES, FL. 34102	DWG. W-13.DWG

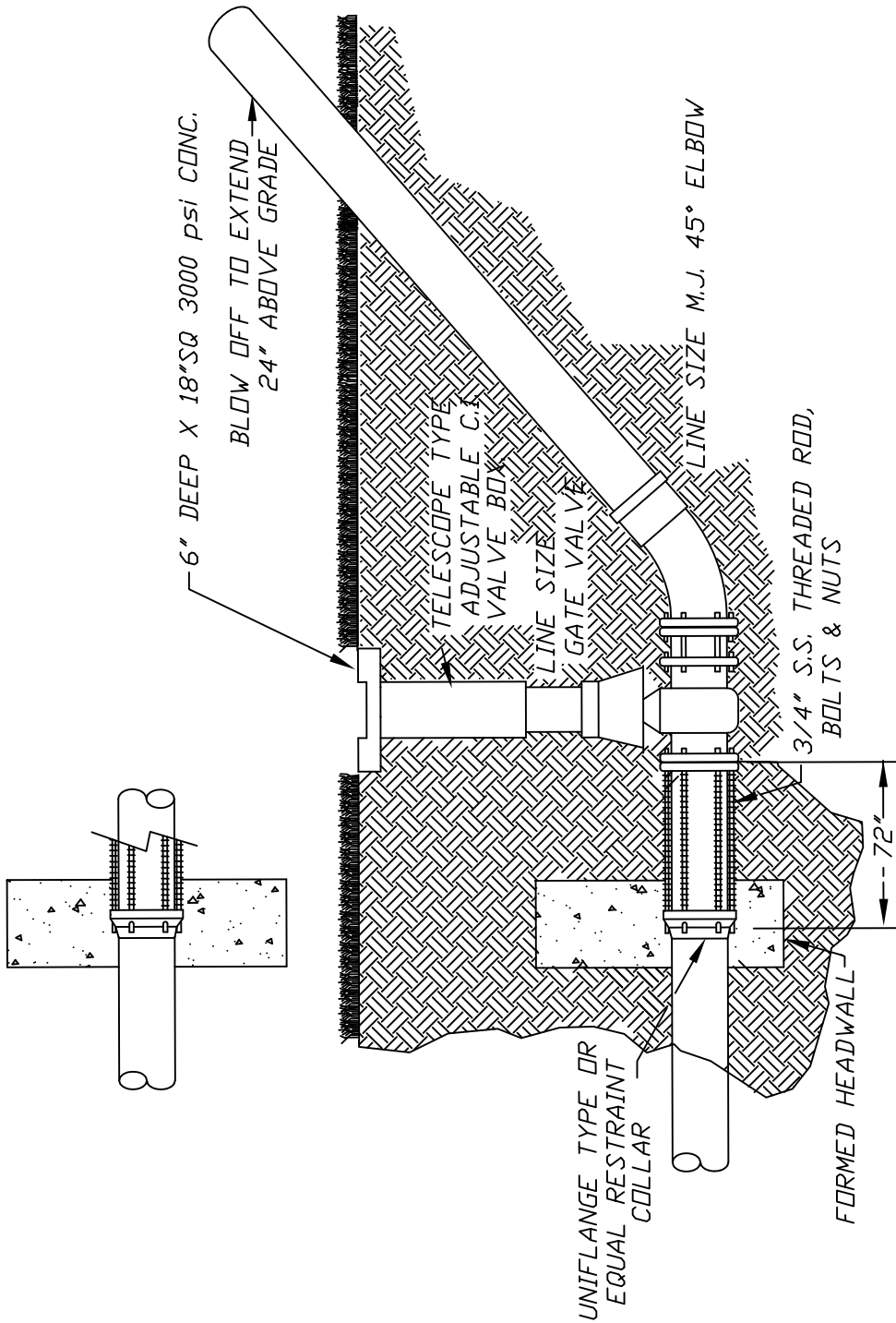


MULTI-SERVICE CONNECTIONS
 WILL ONLY BE ALLOWED SERVICE
 FOR TWO SINGLE FAMILY LOTS

THIS DETAIL CONSTITUTES
 MINIMUM STANDARDS. DESIGN
 ENGINEERS SHALL PROVIDE
 STANDARDS EQUAL TO OR
 GREATER THAN THESE.

FOR:	UTILITIES ENGINEERING DIVISION	CITY OF NAPLES
DATE: SEPT 2010	MULTIPLE METER SERVICE CONNECTIONS	SHEET: W-14
DRAWN: JAF		DIR: WATER
SCALE: N.T.S.	380 RIVERSIDE CIRCLE, NAPLES, FL. 34102	DWG. W-14.DWG

HEADWALL TOP VIEW
 (SEE DRAWING TETHBLOC-PG.11 FOR DETAILS)



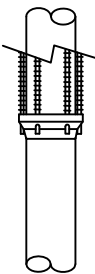
NOTE: VALVE BOX RISER SHALL NOT BEAR ON VALVE OR PIPE.

NOTE: TEMPORARY BLOW-OFF TO REMAIN IN PLACE UNTIL DISTRIBUTION SYSTEM HAS BEEN FLUSHED. AFTER CLEARANCE IS OBTAINED REFER TO FIRE HYDRANT DETAIL FOR FINAL CONFIGURATION.

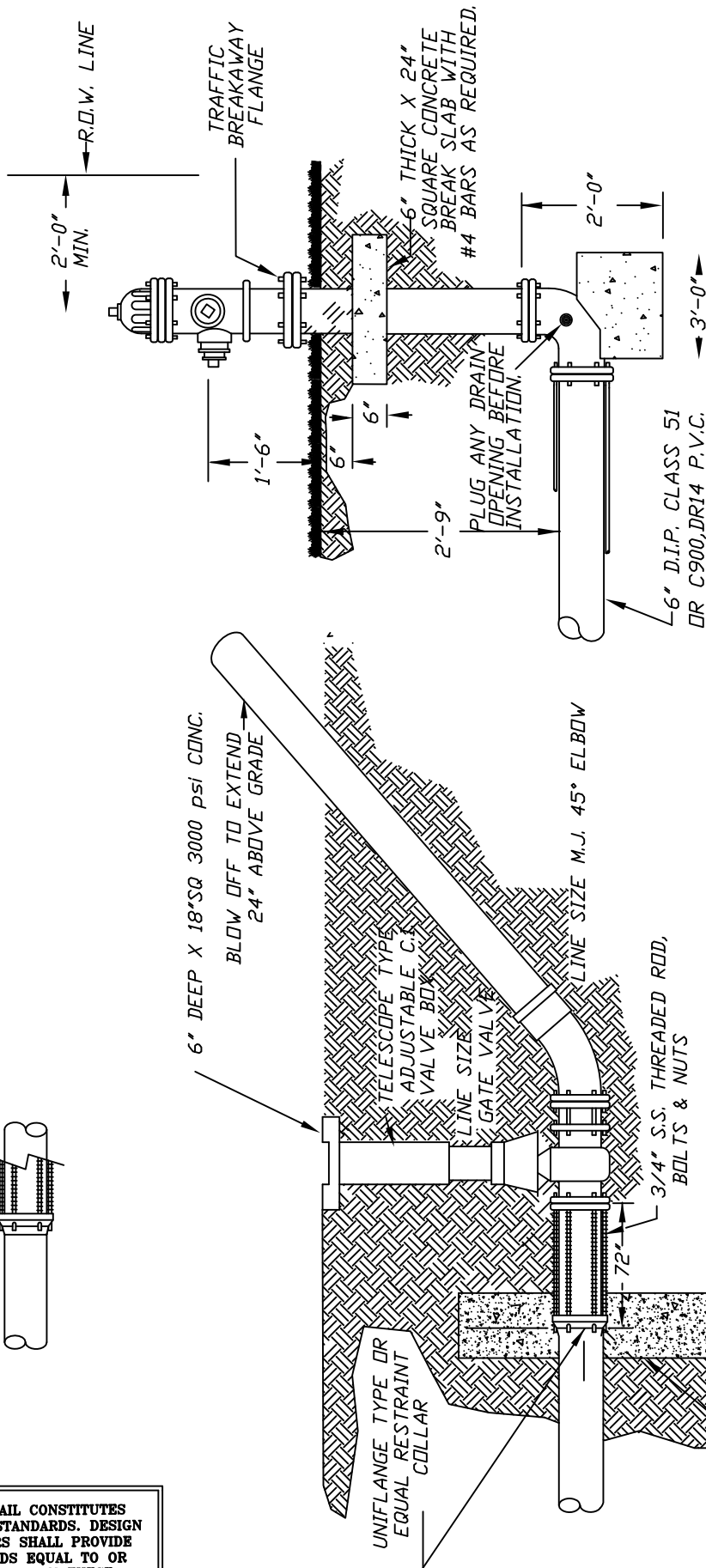
THIS DETAIL CONSTITUTES
 MINIMUM STANDARDS. DESIGN
 ENGINEERS SHALL PROVIDE
 STANDARDS EQUAL TO OR
 GREATER THAN THESE.

FOR:	UTILITIES ENGINEERING DIVISION	CITY OF NAPLES
DATE: SEPT 2010	TEMPORARY BLOWOFF	SHEET: W-15
DRAWN: JAF		DIR: WATER
SCALE: N.T.S.	380 RIVERSIDE CIRCLE, NAPLES, FL. 34102	DWG. W-15.DWG

HEADWALL TOP VIEW
(SEE DRAWING TETHBLOC-PG.11 FOR DETAILS)



THIS DETAIL CONSTITUTES
MINIMUM STANDARDS. DESIGN
ENGINEERS SHALL PROVIDE
STANDARDS EQUAL TO OR
GREATER THAN THESE.



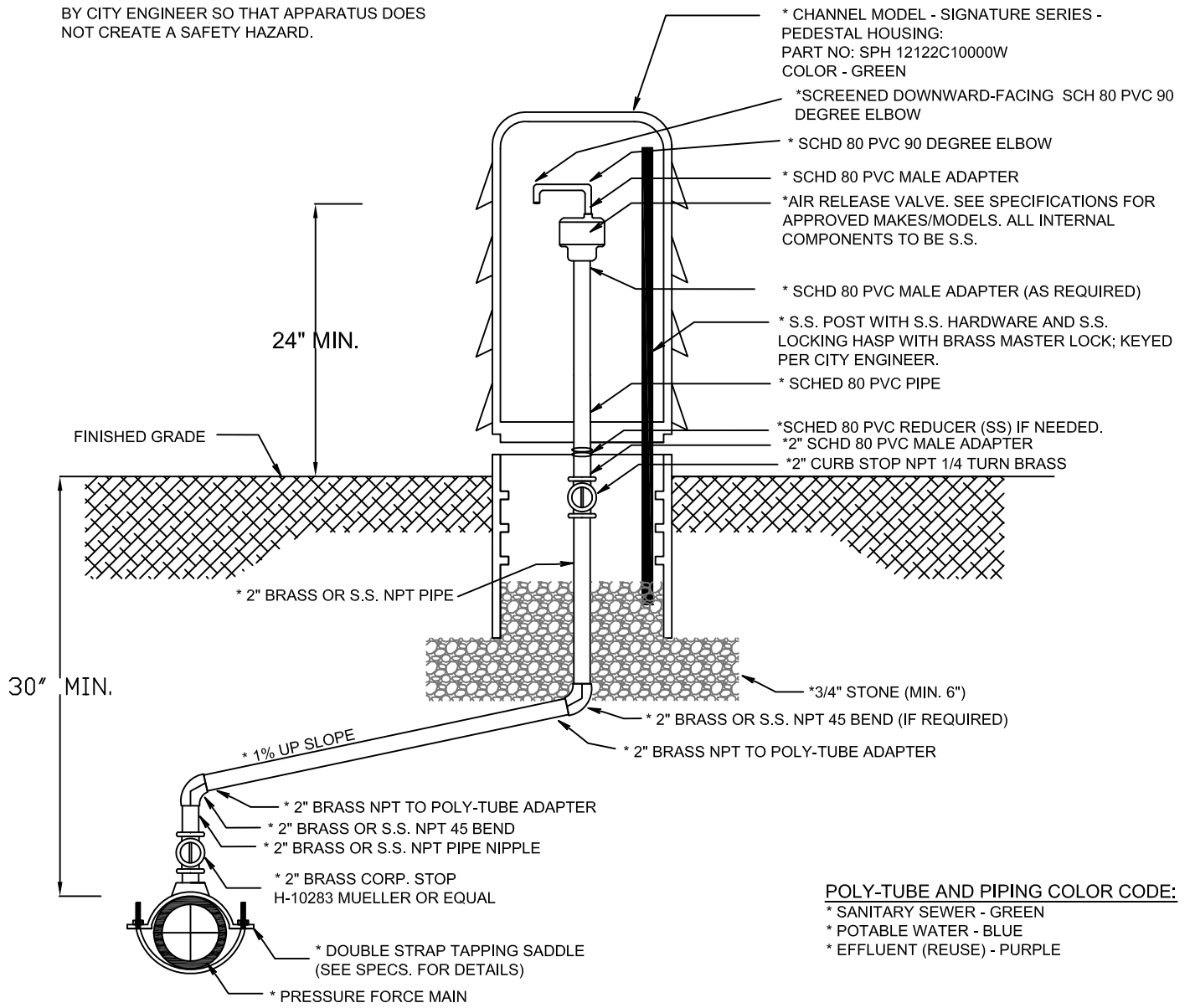
NOTE: -VALVE BOX RISER SHALL NOT BEAR ON VALVE OR PIPE.

-TEMPORARY BLOW-OFF TO REMAIN IN PLACE UNTIL DISTRIBUTION SYSTEM HAS BEEN FLUSHED; AFTER CLEARANCE IS OBTAINED REFER TO FIRE HYDRANT DETAIL FOR FINAL CONFIGURATION.

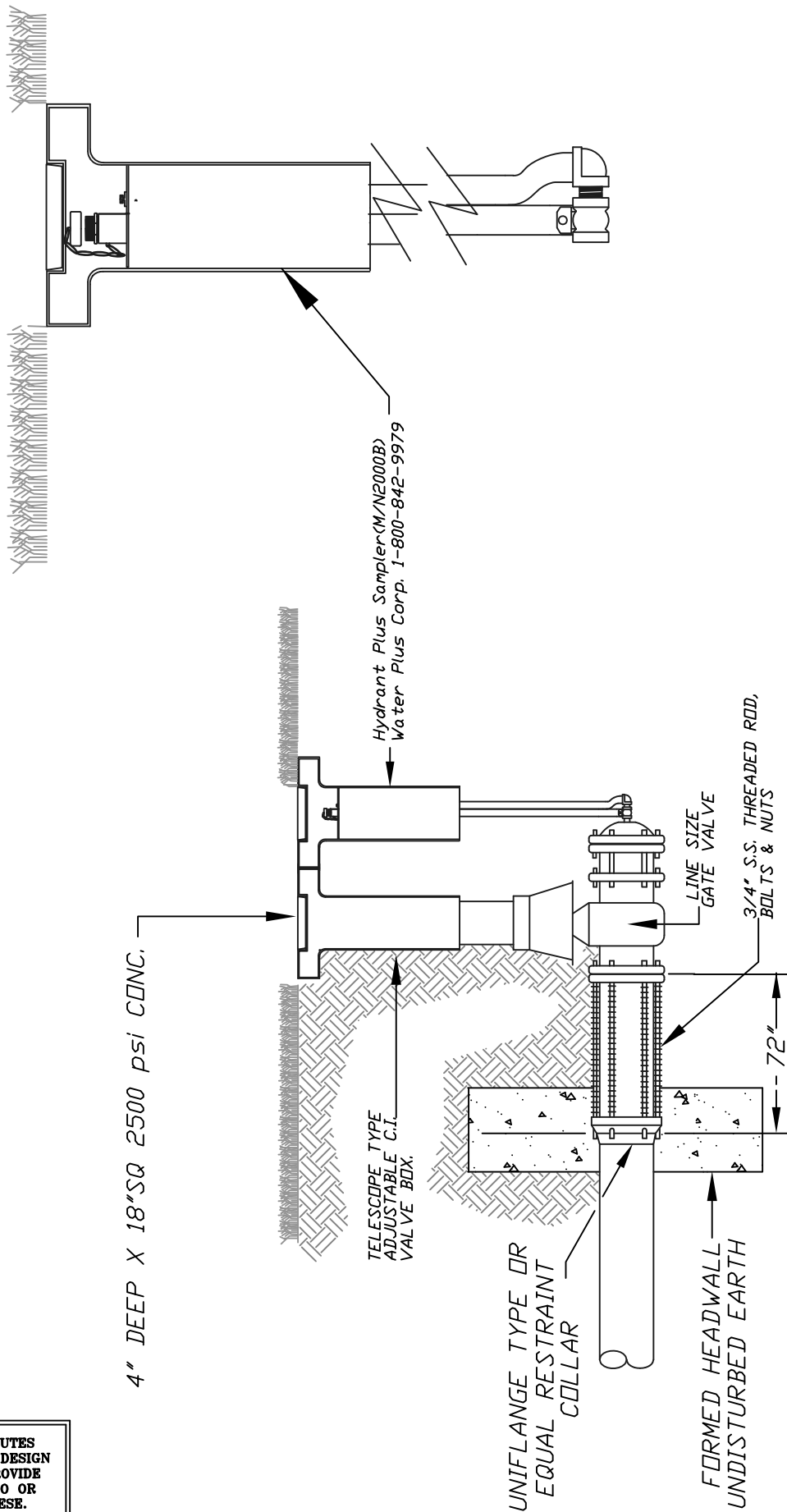
FOR:	UTILITIES ENGINEERING DIVISION	CITY OF NAPLES
DATE: SEPT 2010	TEMPORARY BLOWOFF HYDRANT	SHEET: W-16
DRAWN: JAF		DIR: WATER
SCALE: N.T.S.	380 RIVERSIDE CIRCLE, NAPLES, FL. 34102	DWG. W-16.DWG

**THIS DETAIL CONSTITUTES
MINIMUM STANDARDS. DESIGN
ENGINEERS SHALL PROVIDE
STANDARDS EQUAL TO OR
GREATER THAN THESE.**

* AIR RELEASE VALVE TO BE LOCATED WITHIN
RIGHT-OF-WAY/EASEMENT. PREFERABLY OVER
PRESSURE MAIN: LOCATION TO BE DETERMINED
BY CITY ENGINEER SO THAT APPARATUS DOES
NOT CREATE A SAFETY HAZARD.



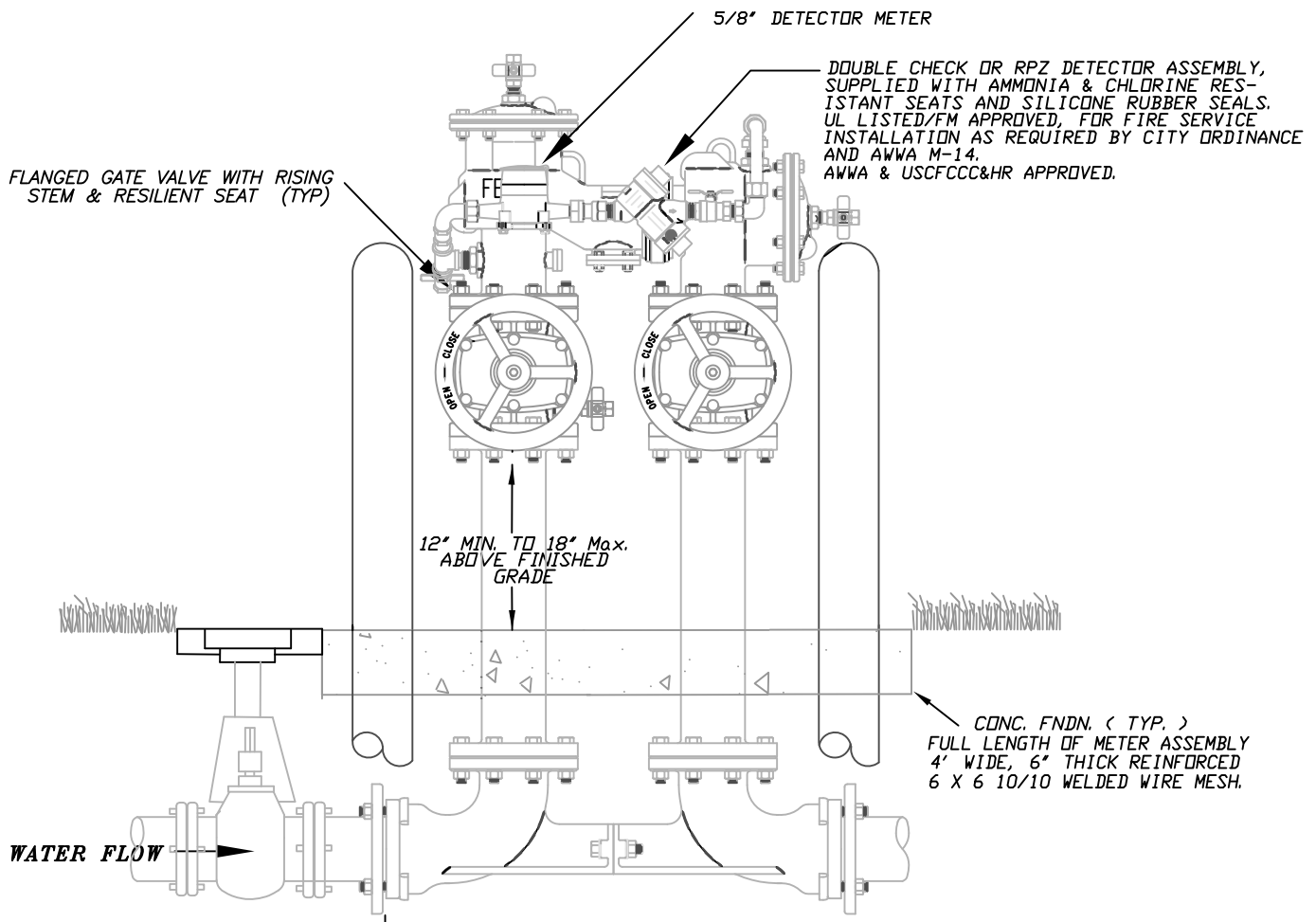
FOR:	UTILITIES ENGINEERING DIVISION	CITY OF NAPLES
DATE: SEPT 2010	AIR RELEASE VALVE DETAIL	SHEET: W-17
DRAWN: JAF	(POTABLE WATER)	DIR: WATER
SCALE: N.T.S.	380 RIVERSIDE CIRCLE, Naples, Florida 34102	DWG. W-17.DWG



THIS DETAIL CONSTITUTES
MINIMUM STANDARDS. DESIGN
ENGINEERS SHALL PROVIDE
STANDARDS EQUAL TO OR
GREATER THAN THESE.

FOR:	UTILITIES ENGINEERING DIVISION	CITY OF NAPLES
DATE: SEPT 2010	MAIN ENDING & SAMPLE STATION	SHEET: W-18
DRAWN: JAF		DIR: WATER
SCALE: N.T.S.	380 RIVERSIDE CIRCLE, NAPLES, FL. 34102	DWG. W-18.DWG

WILKINS 450DA OR FEBCO 876V



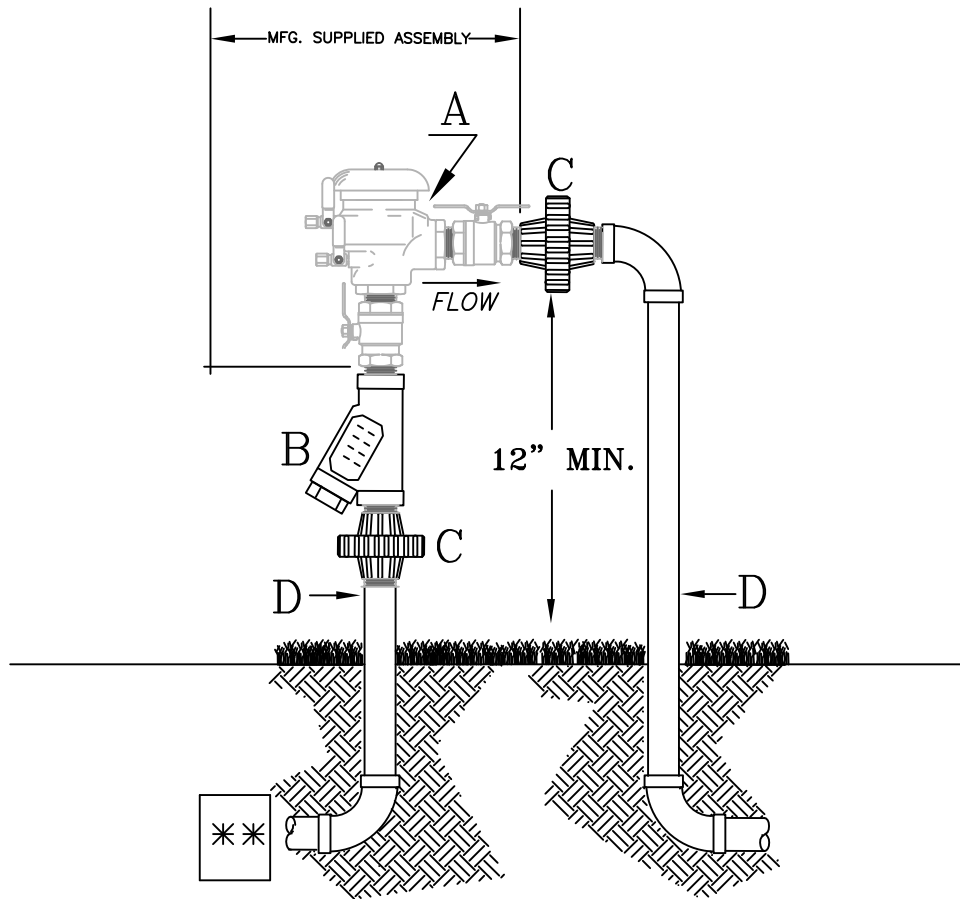
CITY'S RESPONSIBILITY
 - UP TO AND
 INCLUDING UNDERGROUND
 VALVE PRECEDING ASSEMBLY

OWNER'S RESPONSIBILITY

- NOTES:**
- 1) ALL ABOVE GROUND PIPE WILL HAVE FLANGED END D.I.P. CLASS 51 ALL NUTS & BOLTS SHALL BE 316 STAINLESS STEEL
 - 2) FOUR (4) VEHICULAR GUARD POSTS TO BE INSTALLED AROUND METER. CONFIGURATION TO BE ILLUSTRATED ON CONSTRUCTION DOCUMENTS SUBMITTED FOR REVIEW AND APPROVAL.
 - 3) AS THIS UNIT WILL REQUIRE PERIODIC TESTING, FACILITIES REQUIRING CONTINUOUS WATER SERVICE MAY WISH TO INSTALL PARALLEL UNITS TO PREVENT SERVICE INTERRUPTIONS.
 - 4) BACKFLOW ASSY. WILL BE OWNED & MAINTAINED BY PROPERTY OWNER
 - 5) CITY WILL REQUIRE DEDICATION OF MATERIAL UP TO AND INCLUDING THE UNDERGROUND VALVE PRECEDING THE ENTIRE DETECTOR ASSEMBLY
 - 6) BACKFLOW UNIT REQUIRES INITIAL CERTIFICATION BY CITY OF NAPLES WATER DEPARTMENT (Backflow Division)
 - 7) ALL PLANTINGS SHALL BE A MINIMUM OF 3' FROM EDGE OF SLAB, AND PROVIDE A 3' ACCESS OPENING.
 - 8) ALL ABOVE GROUND PIPING INCLUDING ASSEMBLY WILL BE PAINTED RUSTOLEUM FEDERAL SAFETY RED.
 - 9) ALL BACKFLOWS SHALL BE A MINIMUM DISTANCE OF 3 FEET FROM FIRE HYDRANTS OR FDC.
 - 10) PROVIDE LINE SIZE GATE VALVE WHERE FIRE LINE LEAVES THE WATER MAIN.

THIS DETAIL CONSTITUTES
 MINIMUM STANDARDS. DESIGN
 ENGINEERS SHALL PROVIDE
 STANDARDS EQUAL TO OR
 GREATER THAN THESE.

FOR:	UTILITIES ENGINEERING DIVISION	CITY OF NAPLES
DATE: OCT 2012	MASTER SERIES (ALT.)	SHEET: W-19
DRAWN: JAF	FIRE SYSTEM DETECTOR CHECK	DIR: WATER
SCALE: N.T.S.	380 RIVERSIDE CIRCLE, NAPLES, FL 34102	DWG. W-19.DWG

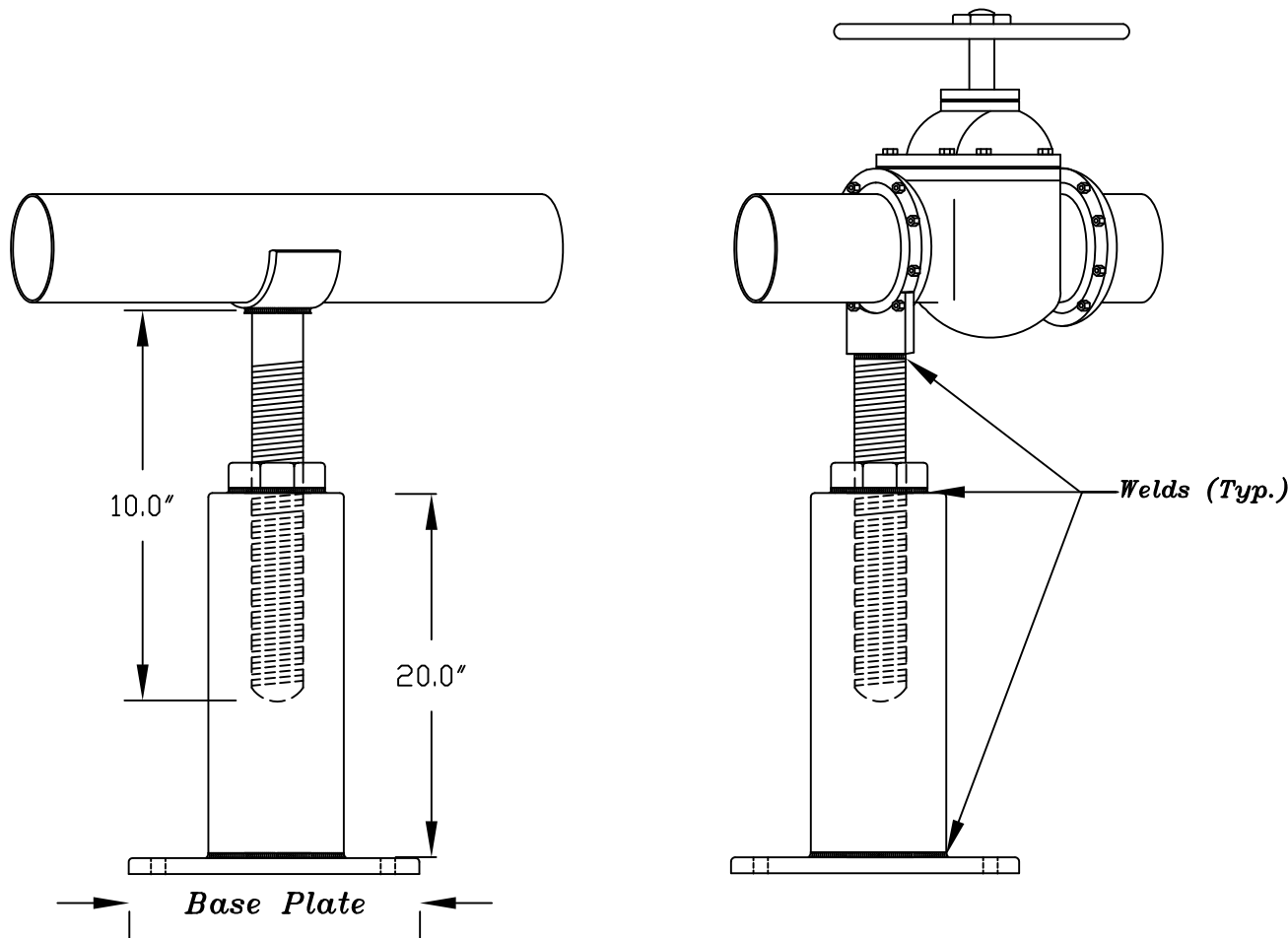


- NOTE:**
- 1) TO BE INSTALLED A MINIMUM OF 12" (INCHES) TO A MAXIMUM OF 30" (INCHES) OVER FINAL FINISHED GRADE AS MEASURED TO THE LOWEST POINT OF THE PVB ASSEMBLY; AND NO CLOSER THAN 12" (INCHES) TO ANY FIXED STRUCTURE
 - 2) ALL PIPING FOR ASSEMBLY SHALL BE TYPE "K" COPPER OR BRASS
 - 3) UNPROTECTED CONNECTIONS ARE PROHIBITED BETWEEN BACKFLOW PREVENTER AND METER.
 - 4) BACKFLOW UNIT REQUIRES INITIAL CERTIFICATION BY CERTIFIED TESTER IN THE CITY WATER DEPARTMENT (Backflow Division)
 - 5) ALL ABOVE GROUND PIPING INCLUDING ASSEMBLY WILL BE PAINTED RUSTOLEUM FEDERAL SAFETY BLUE.
 - 6) NOT APPROVED FOR BACKSIPHONAGE CONDITIONS
(Must be installed 12" above the highest outlet)
- A - PRESSURE VACCUUM BREAKER- AWWA & USCFCCC&HR
APPROVED FOR USE WITHIN CITY OF NAPLES WATER JURISDICTION.
 - B - STRAINER
 - C - UNIONS
 - D - SIZES 3/4" TO 2"

** ASSEMBLY TO BE INSTALLED AS CLOSE AS POSSIBLE TO METER ON CUSTOMERS PROPERTY.

THIS DETAIL CONSTITUTES
MINIMUM STANDARDS. DESIGN
ENGINEERS SHALL PROVIDE
STANDARDS EQUAL TO OR
GREATER THAN THESE.

FOR:	UTILITIES ENGINEERING DIVISION	CITY OF NAPLES
DATE: SEPT 2010	3/4" to 2"	SHEET: W-20
DRAWN: JAF	PRESSURE VACCUUM BREAKER	DIR: WATER
SCALE: N.T.S.	380 RIVERSIDE CIRCLE, NAPLES, FL. 34102	DWG. W-20.DWG

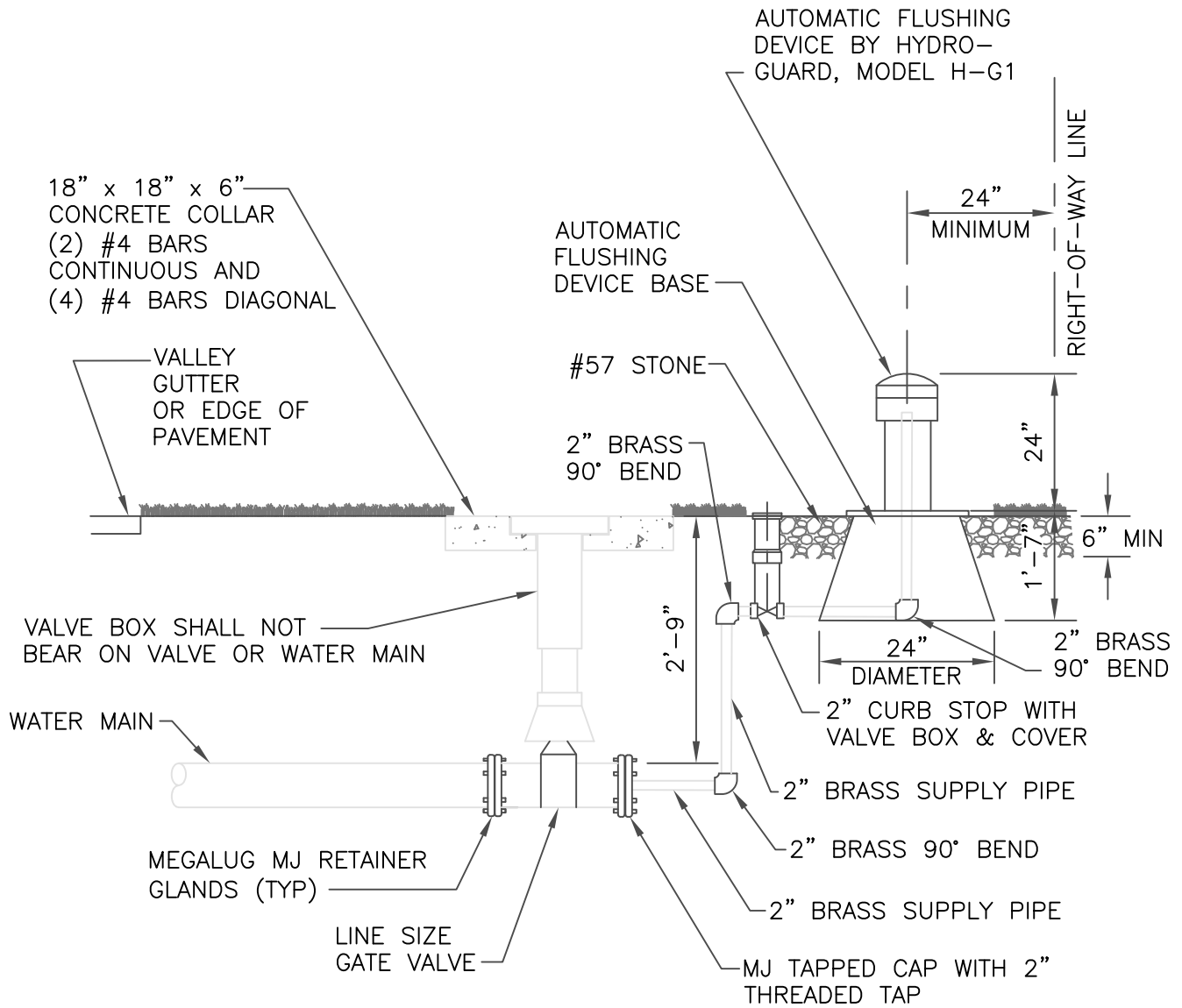


NOTES:

PIPE SIZE (INCHES)	ALUMINUM STRAP SIZE (INCHES)	STAINLESS THREADED ROD	ALUMINUM PIPE STANDARD	ALUMINUM BASE PLATE
2	1/4"X3"	3/4"	2 1/2"	1/2"X4"X4"
3	5/16"X4"	3/4"	2 1/2"	1/2"X6"X6"
4	1/2"X 5"	3/4"	2 1/2"	1/2"X8"X8"
6	1/2"X9"	1"	2 1/2"	1/2"X8"X8"
8	1/2"X10"	1"	3"	1/2"X8"X8"
10	1/2"X12"	1"	3"	1/2"X8"X8"
12	1/2"X14"	1"	4"	1/2"X8"X8"

THIS DETAIL CONSTITUTES
MINIMUM STANDARDS. DESIGN
ENGINEERS SHALL PROVIDE
STANDARDS EQUAL TO OR
GREATER THAN THESE.

FOR:	UTILITIES ENGINEERING DIVISION	CITY OF NAPLES
DATE: SEPT 2010	3" & LARGER	SHEET: W-21
DRAWN: JAF	PIPE SUPPORT DETAIL	DIR: WATER
SCALE: N.T.S.	380 RIVERSIDE CIRCLE, NAPLES, FL. 34102	DWG. W-21.DWG

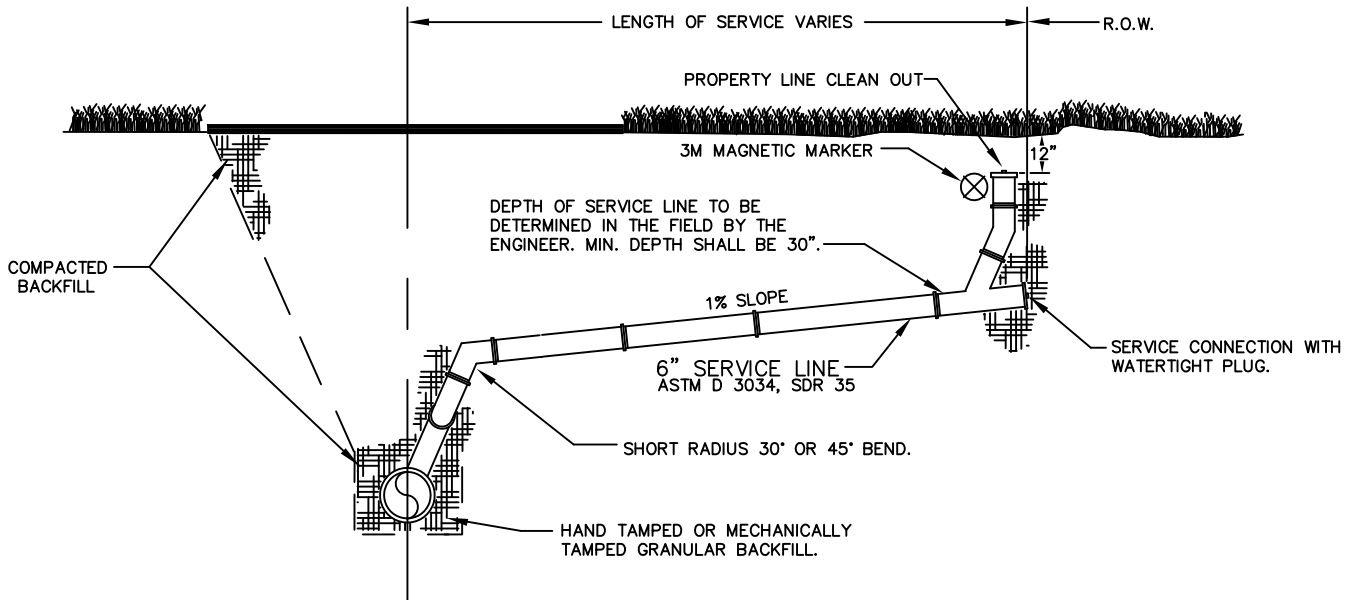


NOTES:

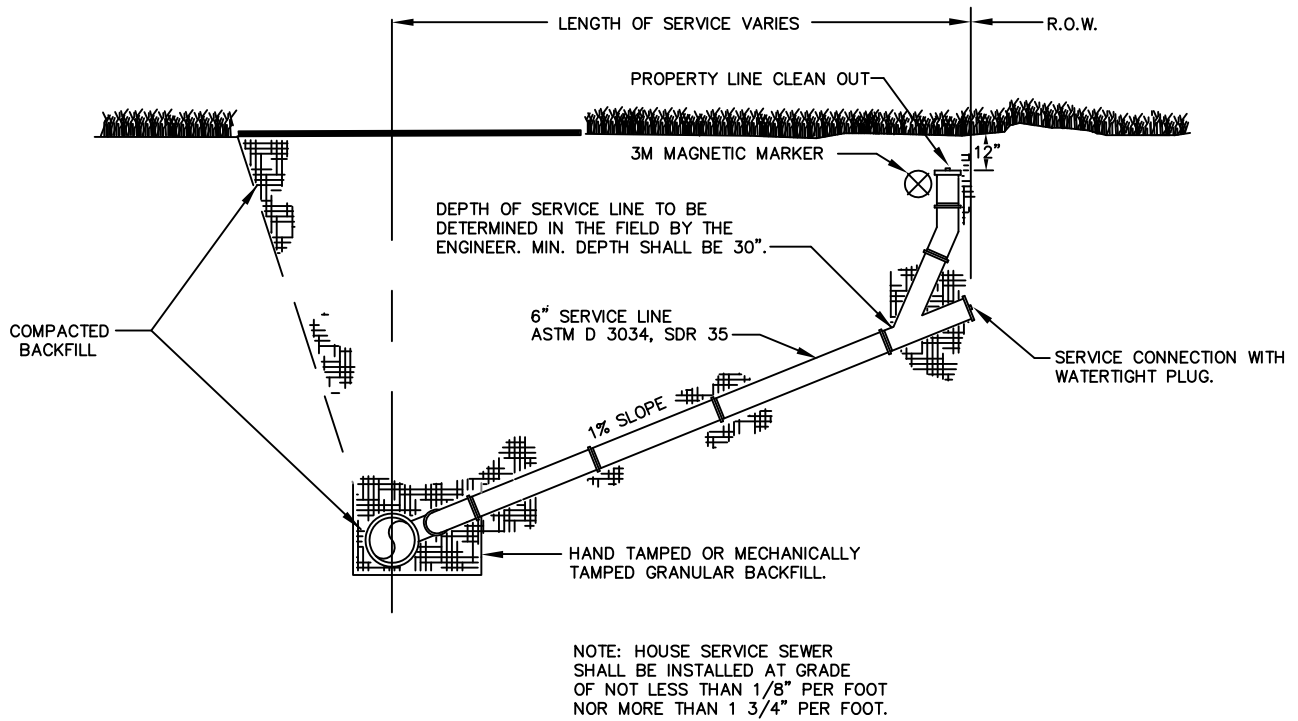
1. PIPING SHALL BE INSTALLED UP TO 2" CURB STOP WITH VALVE BOX AND COVER AT TIME OF MAIN INSTALLATION.
2. AUTOMATIC FLUSHING DEVICE SHALL BE INSTALLED AFTER MAIN LINE HAS BEEN BACTERIOLOGICALLY TESTED, BUT PRIOR TO TIE-IN.
3. ALL THREAD HARD PIPING SHALL BE BRASS.
4. SEE TECHNICAL SPECIFICATIONS SECTION 15100 FOR GATE VALVE AND VALVE BOX REQUIREMENTS.
5. AT TIME OF ACCEPTANCE, WATER DEPARTMENT WILL INSTALL 2" METER.

THIS DETAIL CONSTITUTES
MINIMUM STANDARDS. DESIGN
ENGINEERS SHALL PROVIDE
STANDARDS EQUAL TO OR
GREATER THAN THESE.

FOR:	UTILITIES ENGINEERING DIVISION	CITY OF NAPLES
DATE: SEPT 2010	AUTOMATIC WATER MAIN FLUSHING DEVICE	SHEET: W-22
DRAWN: JAF		DIR: WATER
SCALE: N.T.S.	380 RIVERSIDE CIRCLE, NAPLES, FL. 34102	DWG. W-22.DWG



DEEP LATERAL (OVER 8' DEEP)

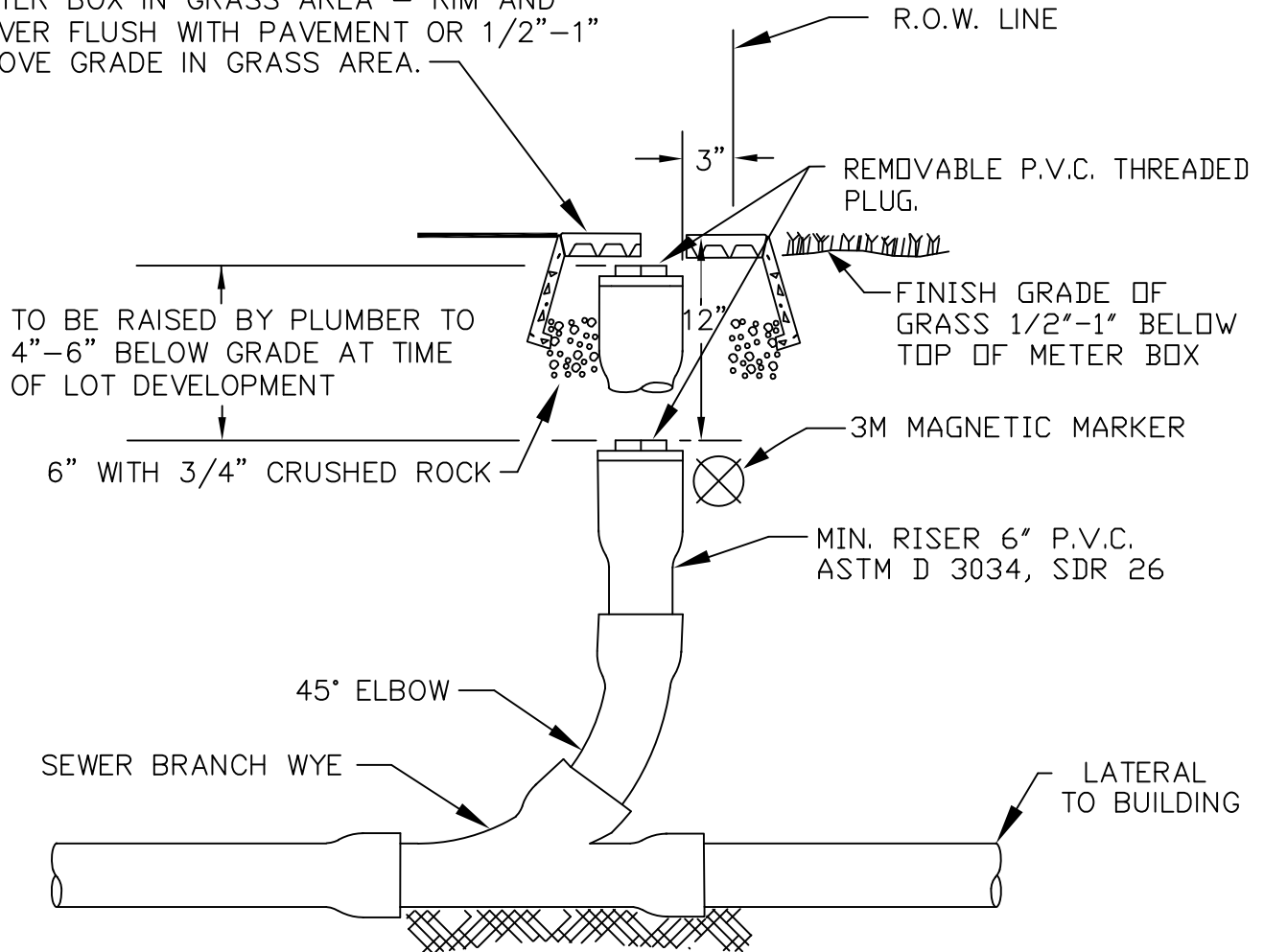


STANDARD LATERAL (UNDER 8' DEEP)

THIS DETAIL CONSTITUTES MINIMUM STANDARDS. DESIGN ENGINEERS SHALL PROVIDE STANDARDS EQUAL TO OR GREATER THAN THESE.

FOR:	UTILITIES ENGINEERING DIVISION	CITY OF NAPLES
DATE: SEPT 2010	<i>SEWER LATERALS</i>	SHEET: WW-01
DRAWN: JAF		DIR: WASTEWATER
SCALE: N.T.S.	380 RIVERSIDE CIRCLE, NAPLES, FL. 34102	DWG. WW-01.DWG

US FOUNDRY 7630 IN PAVEMENT AREA OR
 METER BOX IN GRASS AREA - RIM AND
 COVER FLUSH WITH PAVEMENT OR 1/2"-1"
 ABOVE GRADE IN GRASS AREA.

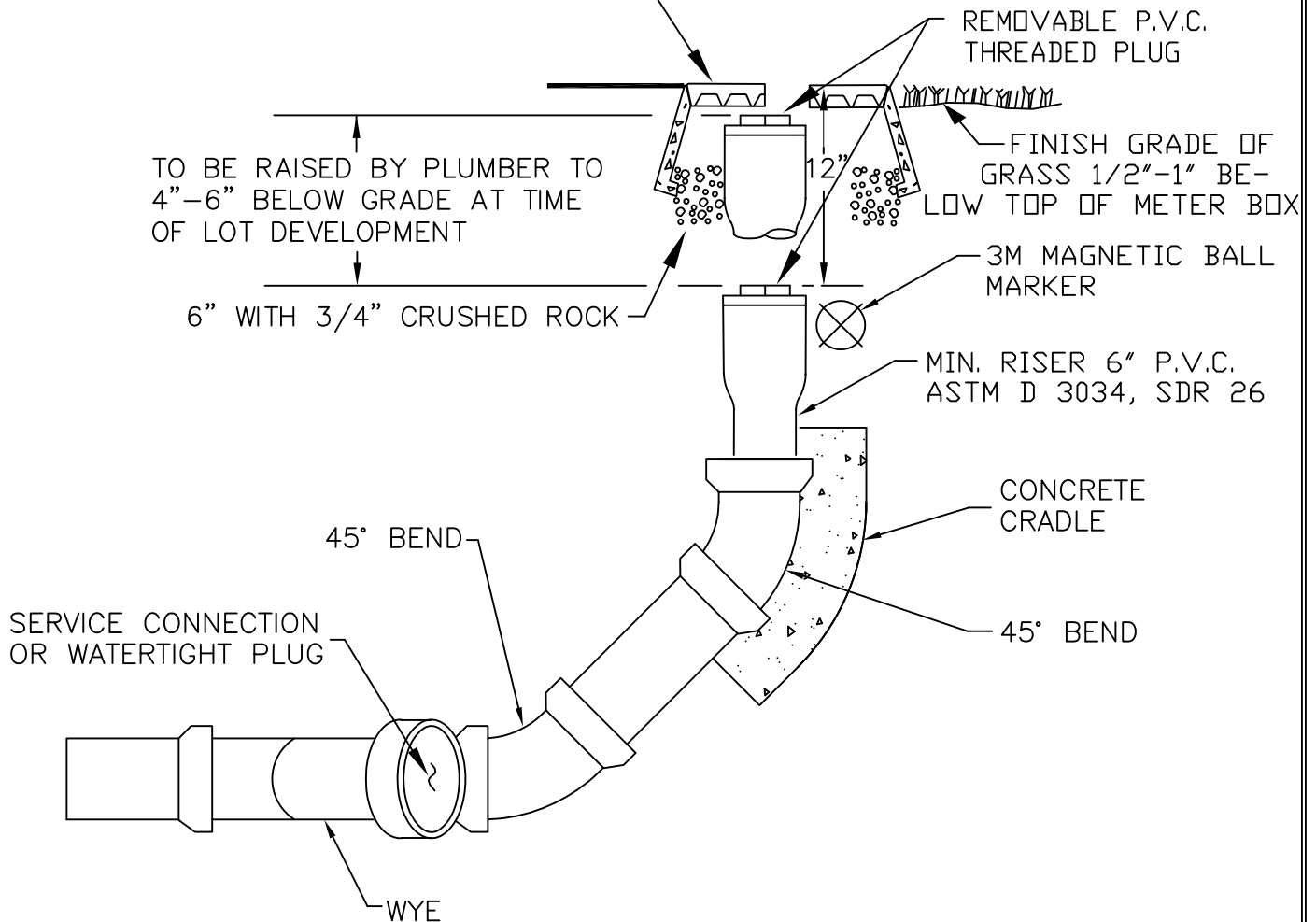


NOTE: DETAIL SHOWS FINISHED
 CONFIGURATION AFTER LOT
 DEVELOPMENT.

THIS DETAIL CONSTITUTES
 MINIMUM STANDARDS. DESIGN
 ENGINEERS SHALL PROVIDE
 STANDARDS EQUAL TO OR
 GREATER THAN THESE.

FOR:	UTILITIES ENGINEERING DIVISION	CITY OF NAPLES
DATE: SEPT 2010	<i>PROPERTY LINE CLEANOUT</i>	SHEET: WW-02
DRAWN: JAF		DIR: WASTEWATER
SCALE: N.T.S.	380 RIVERSIDE CIRCLE, NAPLES, FL. 34102	DWG. WW-02.DWG

US FOUNDRY 7630 IN PAVEMENT AREA OR
METER BOX IN GRASS AREA - RIM AND
COVER FLUSH WITH PAVEMENT OR 1/2"-1"
ABOVE GRADE IN GRASS AREA.

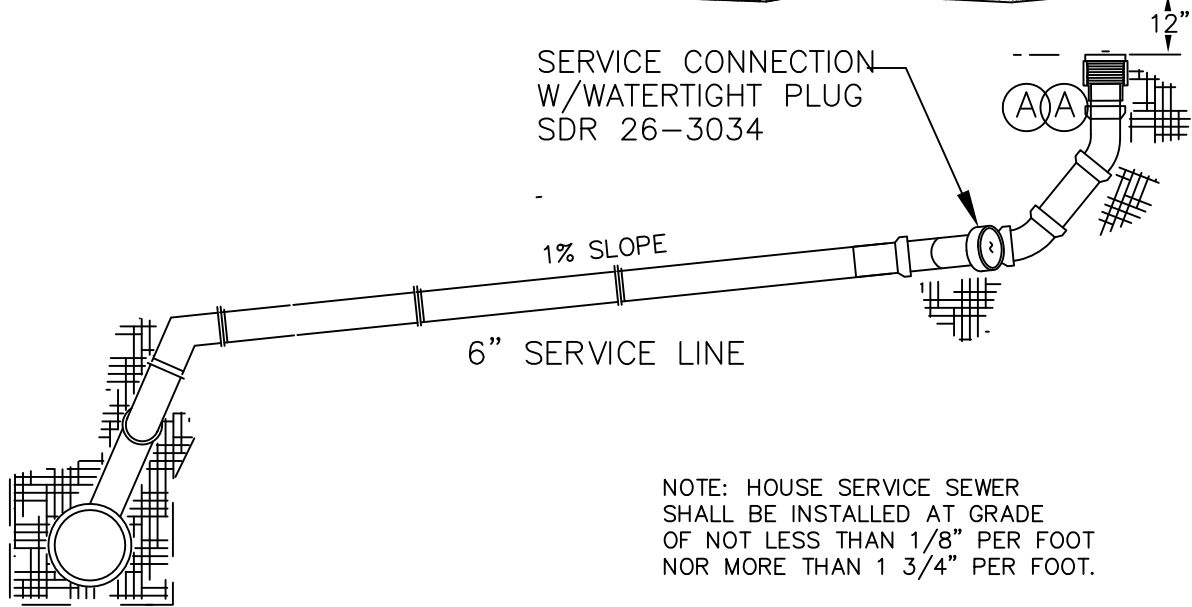
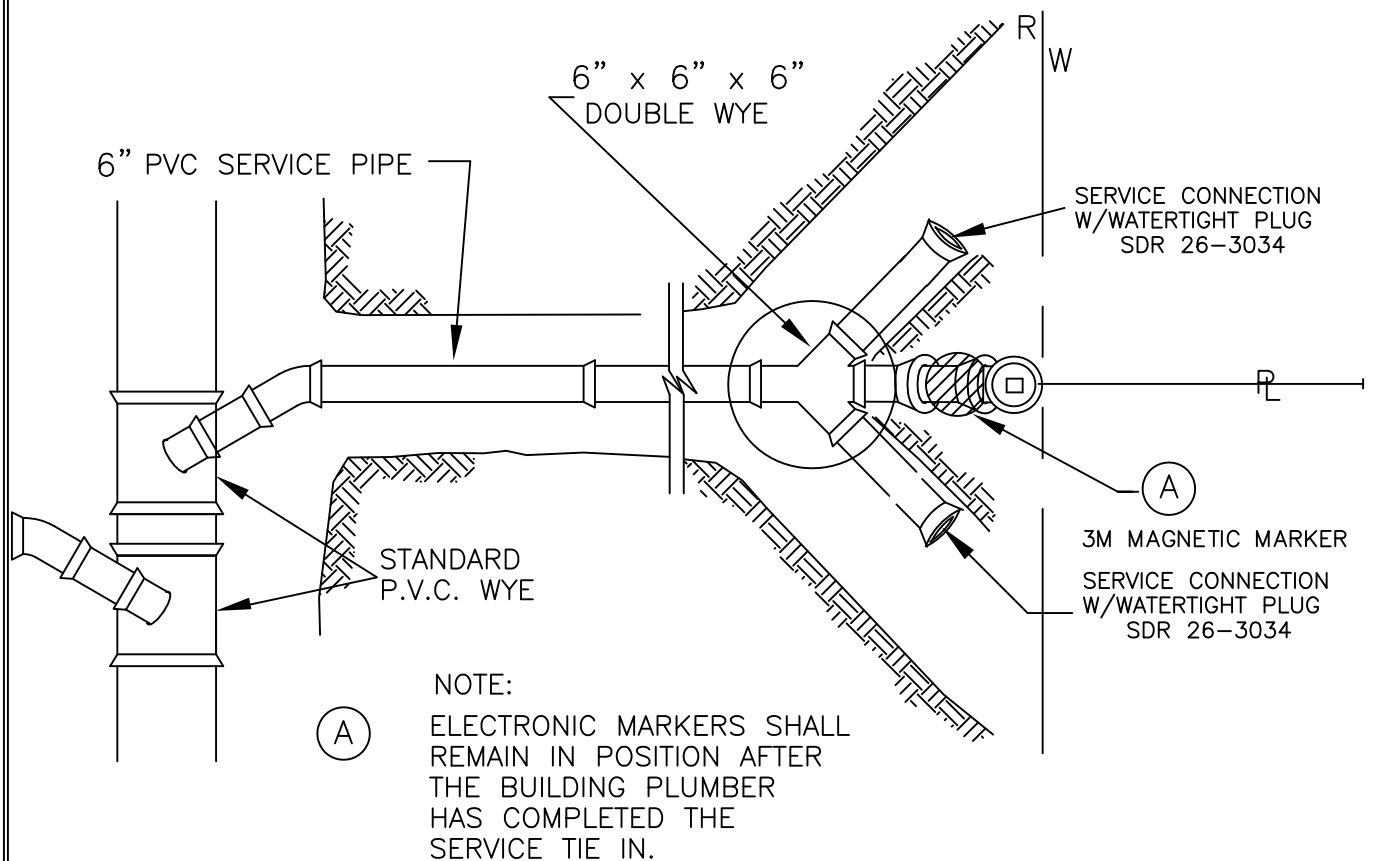


NOTE:

1. ALL P.V.C. SANITARY GRAVITY
SEWER PIPE SHALL BE
ASTM D 3034 SDR 26
2. 6" FITTINGS & PIPE FOR
DOUBLE SERVICE

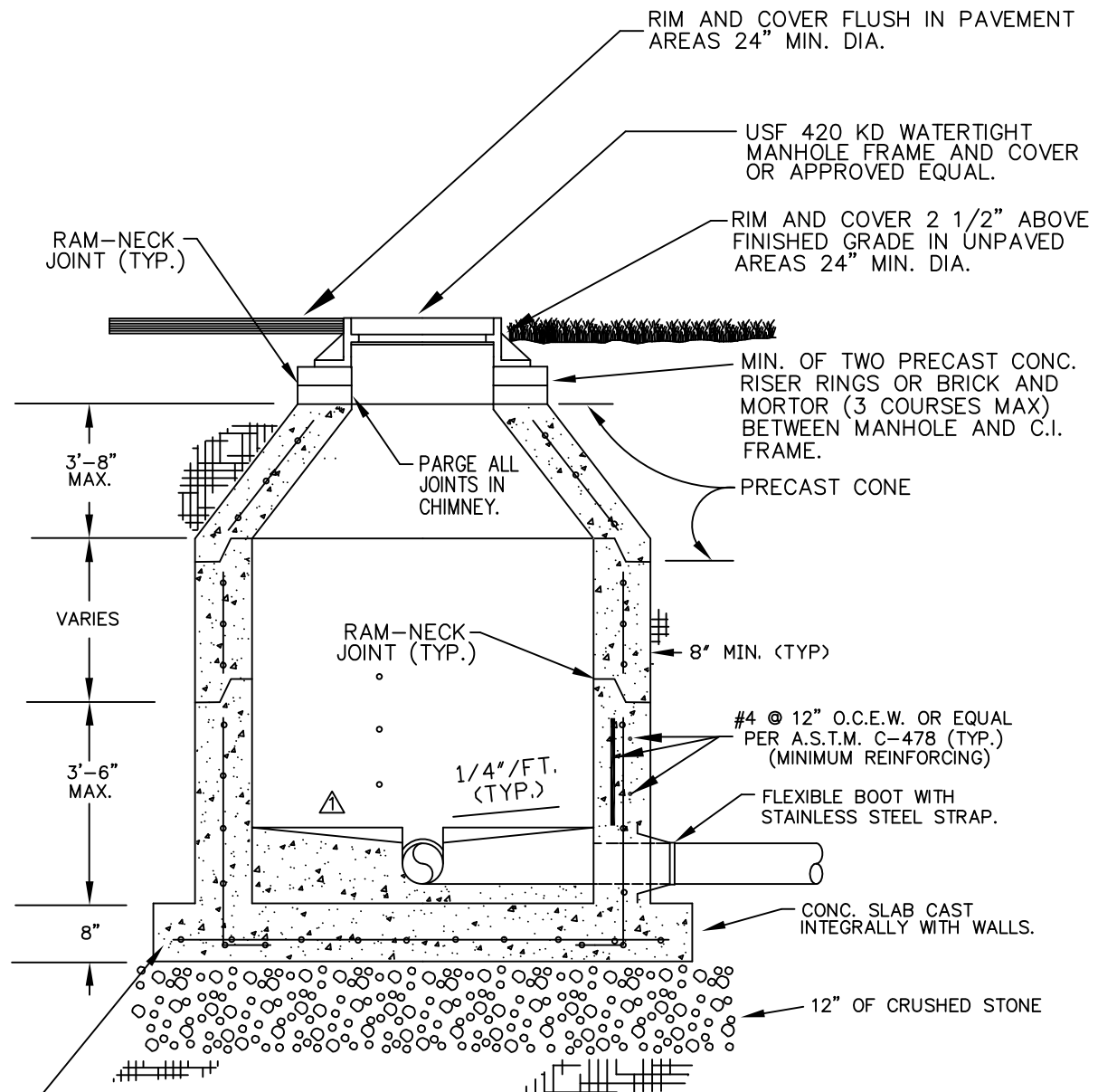
THIS DETAIL CONSTITUTES
MINIMUM STANDARDS. DESIGN
ENGINEERS SHALL PROVIDE
STANDARDS EQUAL TO OR
GREATER THAN THESE.

FOR:	UTILITIES ENGINEERING DIVISION	CITY OF NAPLES
DATE: SEPT 2010	DEAD END GRAVITY MAIN & CON- NECTION to HOUSE or 6" LATERAL	SHEET: WW-03
DRAWN: JAF		DIR: WASTEWATER
SCALE: N.T.S.	380 RIVERSIDE CIRCLE, NAPLES, FL. 34102	DWG. WW-03.DWG



THIS DETAIL CONSTITUTES
 MINIMUM STANDARDS. DESIGN
 ENGINEERS SHALL PROVIDE
 STANDARDS EQUAL TO OR
 GREATER THAN THESE.

FOR:	UTILITIES ENGINEERING DIVISION	CITY OF NAPLES
DATE: SEPT 2010	<i>MULTI-SERVICE LATERAL/CLEANOUT</i>	SHEET: WW-04
DRAWN: JAF		DIR: WASTEWATER
SCALE: N.T.S.	380 RIVERSIDE CIRCLE, NAPLES, FL. 34102	DWG. WW-04.DWG



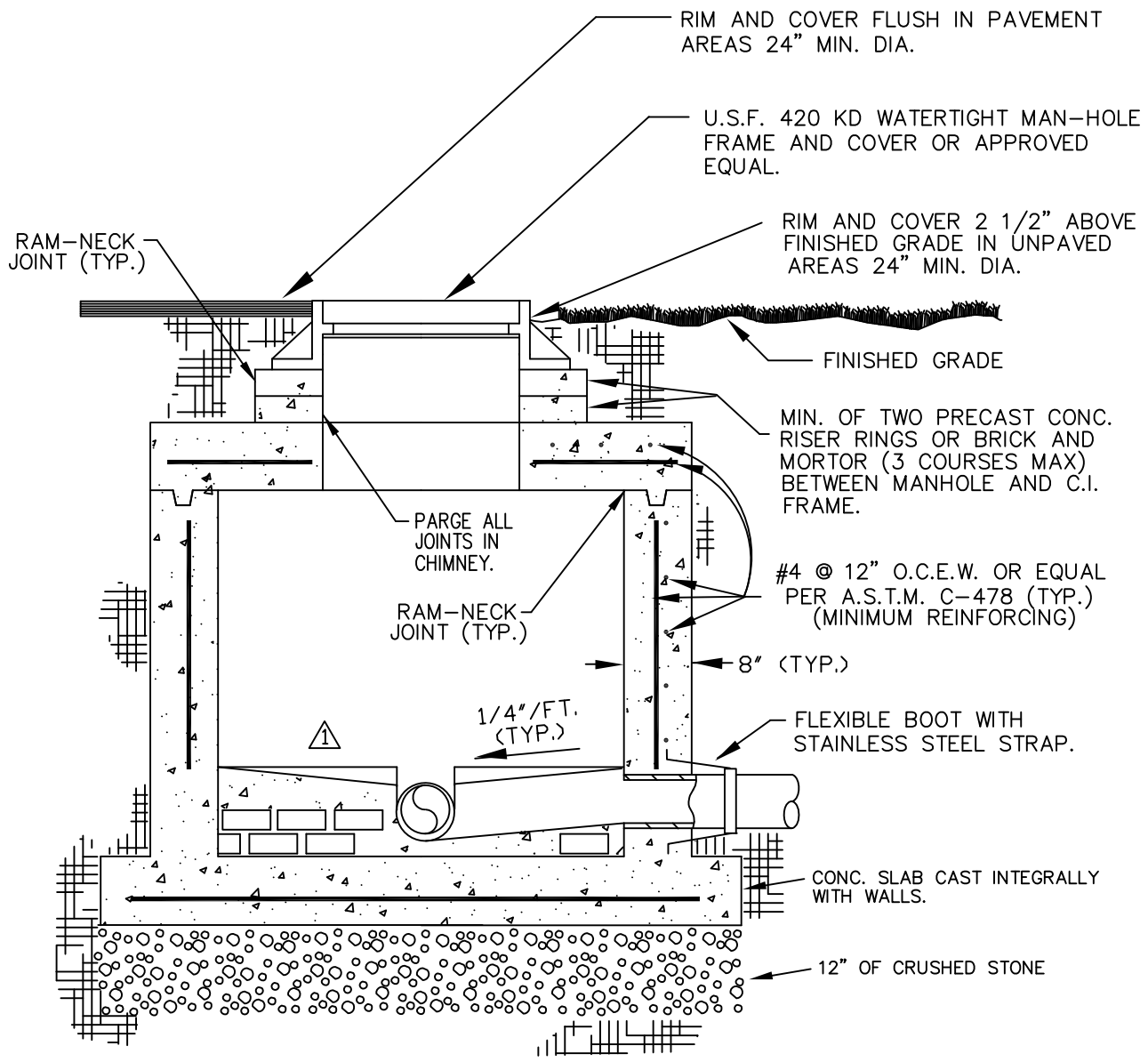
NOTE:

- 1) INTERIOR AND EXTERIOR SURFACES SHALL BE DOUBLE COATED PER THE SPECIFICATIONS.
- 2) MANHOLE LID & FRAME MUST PASS STATIC WATER INFILTRATION TEST.
- 3) THESE REQUIREMENT WILL BE APPLIED TO ALL MANHOLE MODIFICATIONS AND INSTALLATIONS.

△ FLOW LINE CHANNELS SHALL BE CLAY BRICK HAVING A MIN. OF 2" POURED CONC. OR 2" GROUTED FINISH. 0.1' DROP ACROSS MANHOLE.

THIS DETAIL CONSTITUTES MINIMUM STANDARDS. DESIGN ENGINEERS SHALL PROVIDE STANDARDS EQUAL TO OR GREATER THAN THESE.

FOR:	UTILITIES ENGINEERING DIVISION	CITY OF NAPLES
DATE: SEPT 2010	<i>STANDARD PRE-CAST MANHOLE</i>	SHEET: WW-05
DRAWN: JAF		DIR: WASTEWATER
SCALE: N.T.S.	380 RIVERSIDE CIRCLE NAPLES, FL. 34102	DWG. WW-05.DWG



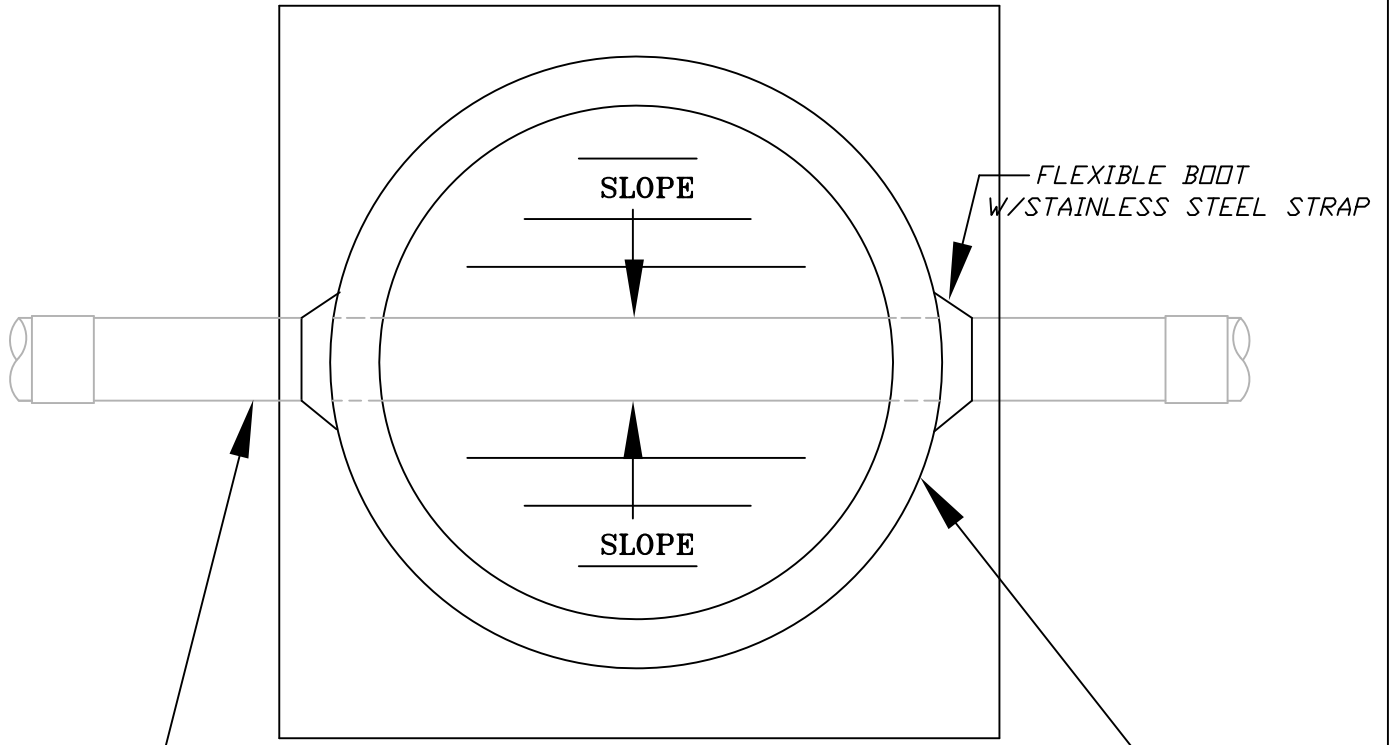
NOTE:

- 1) INTERIOR AND EXTERIOR SURFACES SHALL BE DOUBLE COATED PER THE SPECIFICATIONS.
- 2) MANHOLE LID & FRAME MUST PASS STATIC WATER INFILTRATION TEST.
- 3) THESE REQUIREMENT WILL BE APPLIED TO ALL MANHOLE MODIFICATIONS AND INSTALLATIONS.

△ FLOW LINE CHANNELS SHALL BE CLAY BRICK HAVING A MIN. OF 2" POURED CONC. OR 2" GROUTED FINISH. 0.1' DROP ACROSS MANHOLE.

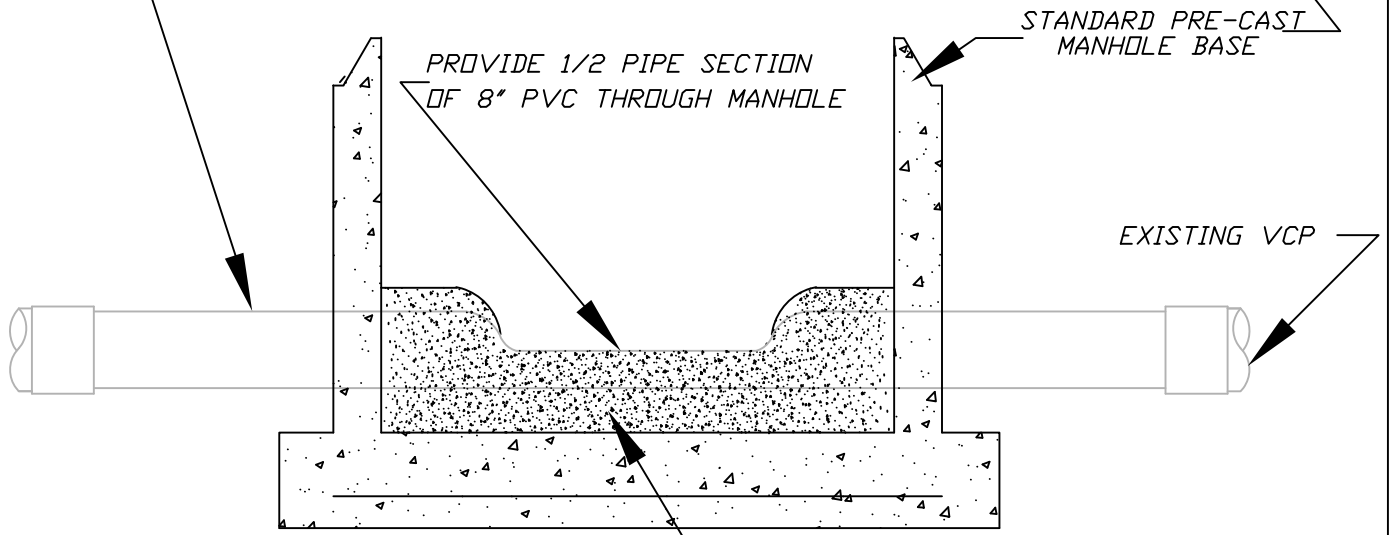
THIS DETAIL CONSTITUTES MINIMUM STANDARDS. DESIGN ENGINEERS SHALL PROVIDE STANDARDS EQUAL TO OR GREATER THAN THESE.

FOR:	UTILITIES ENGINEERING DIVISION	CITY OF NAPLES
DATE: SEPT 2010	<i>SHALLOW MANHOLE</i>	SHEET: WW-06
DRAWN: JAF		DIR: WASTEWATER
SCALE: N.T.S.	380 RIVERSIDE CIRCLE, NAPLES, FL. 34102	DWG. WW-06.DWG



PLAN

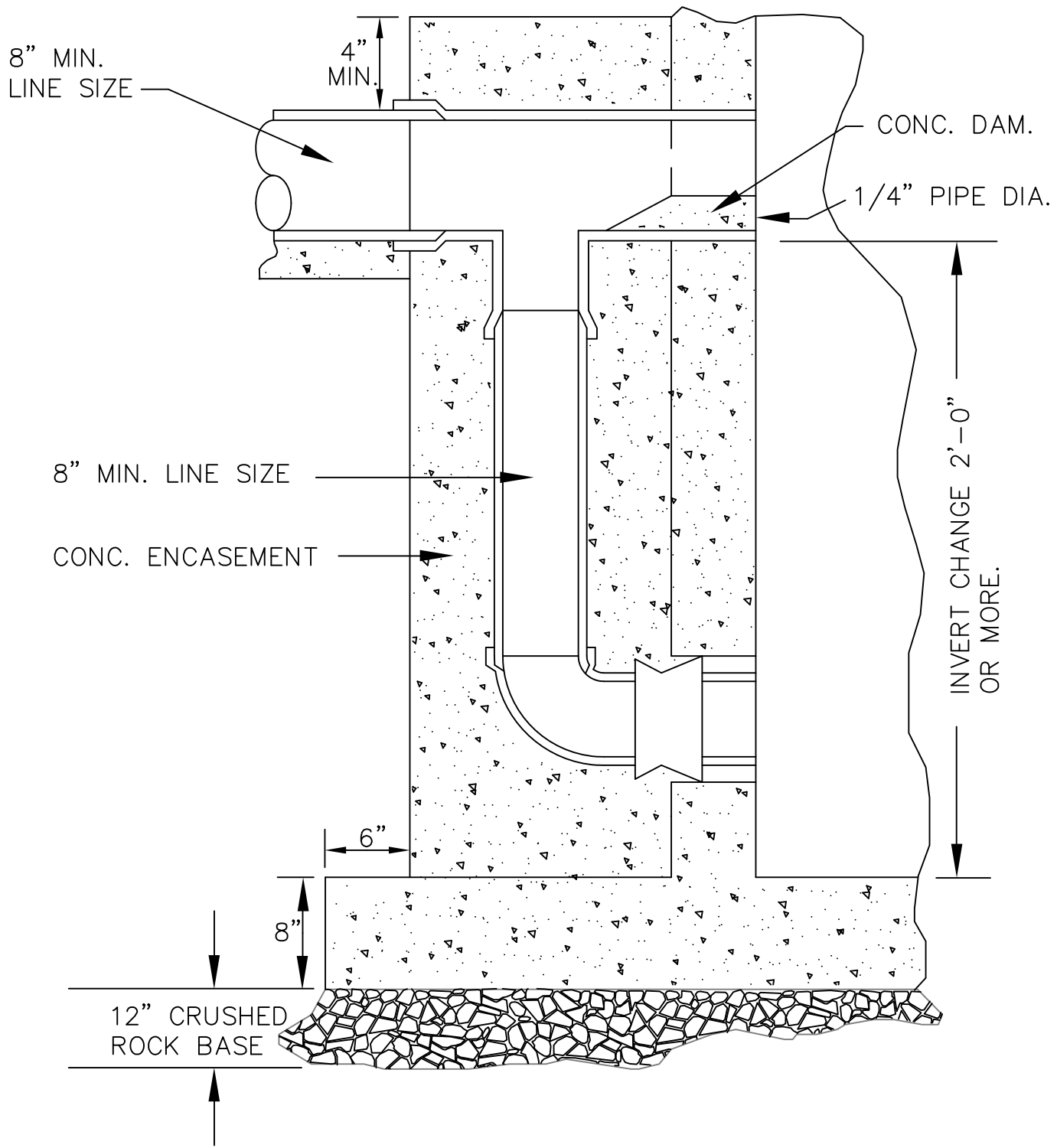
REPLACE EXISTING 8" VCP WITH A 20" JOINT OF 8" PVC PIPE CENTERED EQUI-DISTANCE EACH SIDE OF MANHOLE C/L.



ELEVATION

THIS DETAIL CONSTITUTES
 MINIMUM STANDARDS. DESIGN
 ENGINEERS SHALL PROVIDE
 STANDARDS EQUAL TO OR
 GREATER THAN THESE.

FOR:	UTILITIES ENGINEERING DIVISION	CITY OF NAPLES
DATE: SEPT 2010	MANHOLE CUT-IN	SHEET: WW-07
DRAWN: JAF		DIR: WASTEWATER
SCALE: N.T.S.	380 RIVERSIDE CIRCLE, NAPLES, FL. 34102	DWG. WW-07.DWG



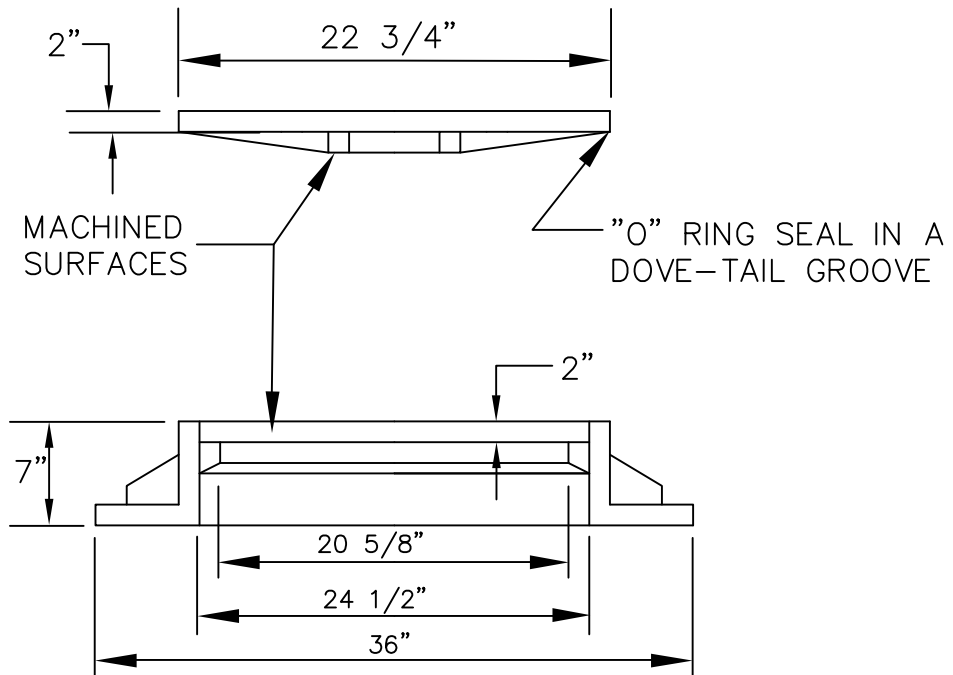
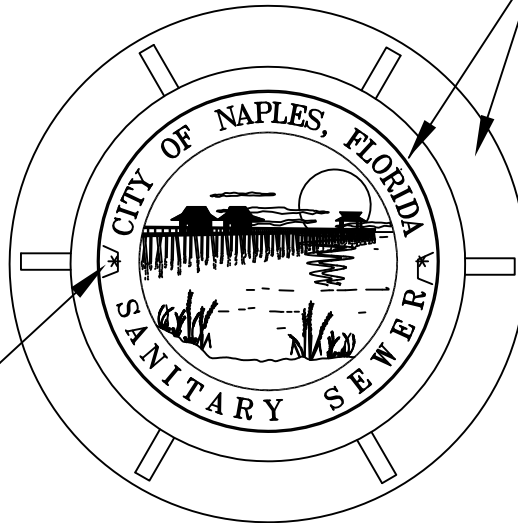
THIS DETAIL CONSTITUTES
 MINIMUM STANDARDS. DESIGN
 ENGINEERS SHALL PROVIDE
 STANDARDS EQUAL TO OR
 GREATER THAN THESE.

FOR:	UTILITIES ENGINEERING DIVISION	CITY OF NAPLES
DATE: SEPT 2010	<i>DROP MANHOLE</i>	SHEET: WW-08
DRAWN: JAF		DIR: WASTEWATER
SCALE: N.T.S.	380 RIVERSIDE CIRCLE, NAPLES, FL. 34102	DWG. WW-08.DWG

NOTES: U.S.F. TYPE 420 OF
 ASTM-A48 CLASS 30
 GREY CAST IRON
 TOP OF COVER TO BE FLUSH
 IN PAVED AREAS, 2 1/2"
 ABOVE UNFINISHED GRADE

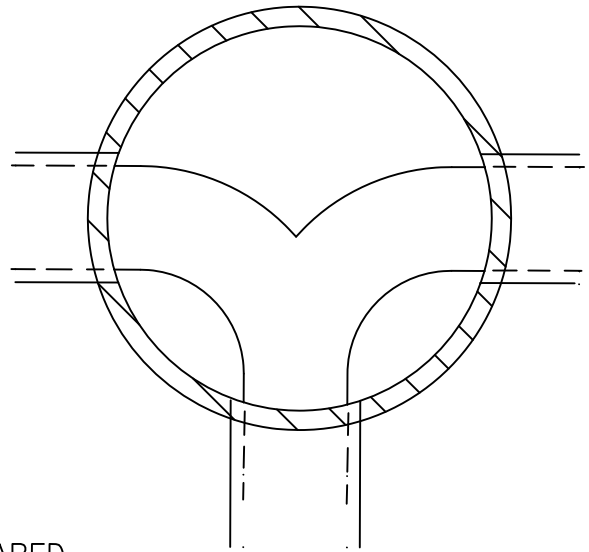
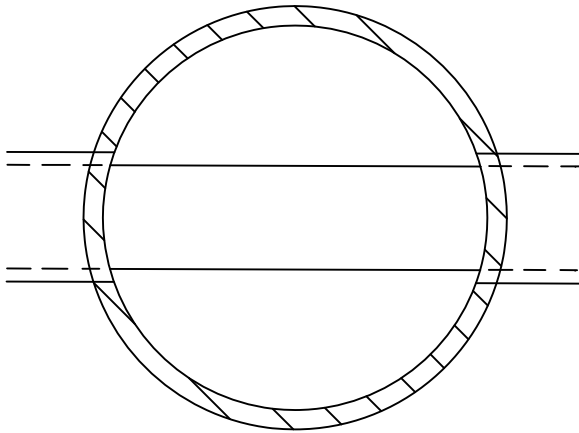
FINISH FRAME
 AND COVER WITH
 ONE COAT
 ASPHALT PAINT

2 NON-PENETRATING
 PICK HOLES

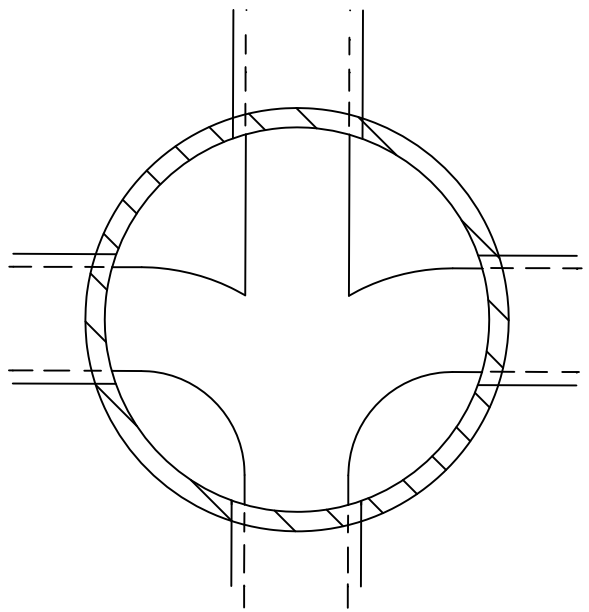
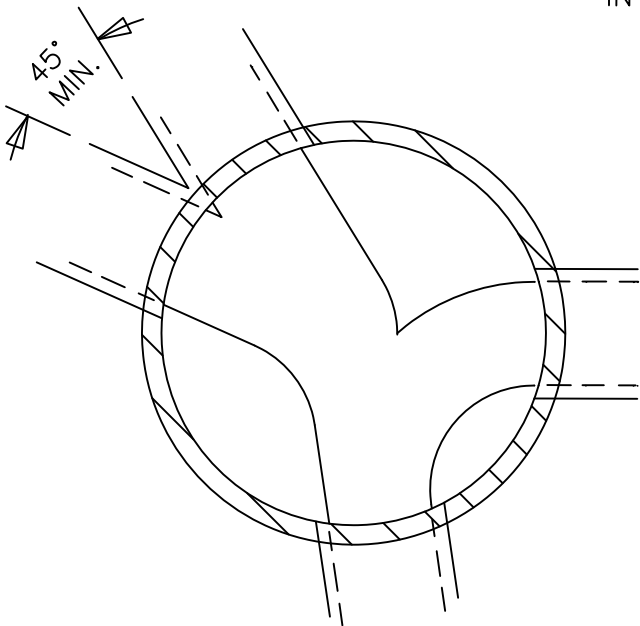


THIS DETAIL CONSTITUTES
 MINIMUM STANDARDS. DESIGN
 ENGINEERS SHALL PROVIDE
 STANDARDS EQUAL TO OR
 GREATER THAN THESE.

FOR:	UTILITIES ENGINEERING DIVISION	CITY OF NAPLES
DATE: SEPT 2010	STANDARD MANHOLE COVER	SHEET: WW-09
DRAWN: JAF		DIR: WASTEWATER
SCALE: N.T.S.	380 RIVERSIDE CIRCLE, NAPLES, FL. 34102	DWG. WW-09.DWG



CONC. SHAPED
INVERTS



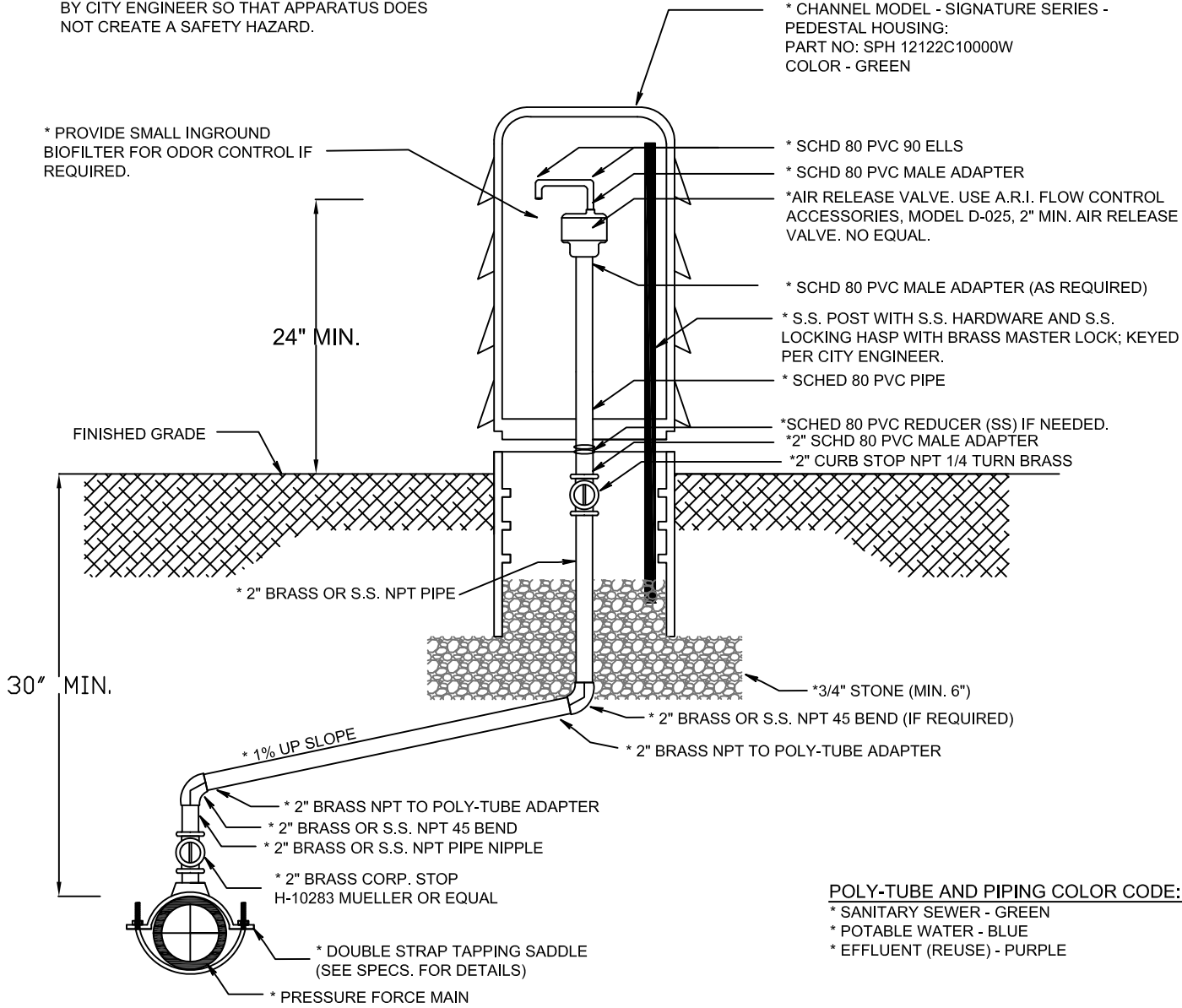
THIS DETAIL CONSTITUTES
MINIMUM STANDARDS. DESIGN
ENGINEERS SHALL PROVIDE
STANDARDS EQUAL TO OR
GREATER THAN THESE.

FOR:	UTILITIES ENGINEERING DIVISION	CITY OF NAPLES
DATE: SEPT 2010	<i>MANHOLE AT LINE INTERSECTIONS</i>	SHEET: WW-10
DRAWN: JAF		DIR: WASTEWATER
SCALE: N.T.S.	380 RIVERSIDE CIRCLE, NAPLES, FL. 34102	DWG. WW-10.DWG

**THIS DETAIL CONSTITUTES
MINIMUM STANDARDS. DESIGN
ENGINEERS SHALL PROVIDE
STANDARDS EQUAL TO OR
GREATER THAN THESE.**

* AIR RELEASE VALVE TO BE LOCATED WITHIN
RIGHT-OF-WAY/EASEMENT. PREFERABLY OVER
PRESSURE MAIN: LOCATION TO BE DETERMINED
BY CITY ENGINEER SO THAT APPARATUS DOES
NOT CREATE A SAFETY HAZARD.

* PROVIDE SMALL INGROUND
BIOFILTER FOR ODOR CONTROL IF
REQUIRED.



FOR:	UTILITIES DEPARTMENT	CITY OF NAPLES
DATE: SEPT 2010	<i>AIR RELEASE VALVE (SANITARY)</i>	SHEET: WW-11
DRAWN: JAF		DIR: WASTEWATER
SCALE: N.T.S.	380 RIVERSIDE CIRCLE, NAPLES, FLORIDA 34102	DWG. WW-11.DWG

City of Naples Industrial Pretreatment Program

All new or existing businesses or industries that use petroleum base products in their day to day activities will be required to install grease interceptors.

FAC 64E-6.013 (Florida Administrative Code)

THIS DETAIL CONSTITUTES MINIMUM STANDARDS. DESIGN ENGINEERS SHALL PROVIDE STANDARDS EQUAL TO OR GREATER THAN THESE.

Sizing Guidelines:

Minimum size = 750 gallons

Maximum size = 1250 gallons

*If additional volume is required install additional, properly sized interceptors.

1. Restaurants: (S) x (GS) x (HR/12) x (LF) = effective capacity of grease interceptor in gallons.

(S) = number of seats in the dining area

(GS) = gallons of wastewater per seat: Use 25 gallons for ordinary restaurant; Use 10 gallons for single service article restaurants.

(HR) = number of hours establishment is open.

(LF) = loading factor: use 2.0 interstate highways, 1.5 other freeways, 1.25 recreational areas, 1.0 main highways, and 0.75 for other roads.

2. Other type establishments with commercial kitchens:

(M) x (GM) x (LF) = effective capacity of grease interceptor in gallons.

(M) = meals prepared per day.

(GM) = gallons of wastewater per meal: use 5 gallons.

(LF) = loading factor: use 1.00 with dishwashing and 0.75 without dishwashing.

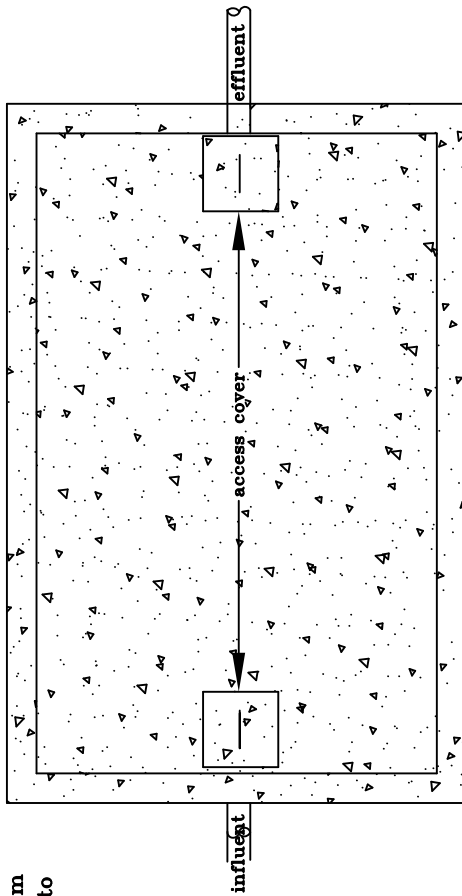
3. Laundry waste interceptor---when a separate system is installed to dispose of effluent from a single home washing machine only, the retention tank or interceptor for such system shall meet the following minimum standards.

(a) The minimum effective capacity shall be 225 gallons.

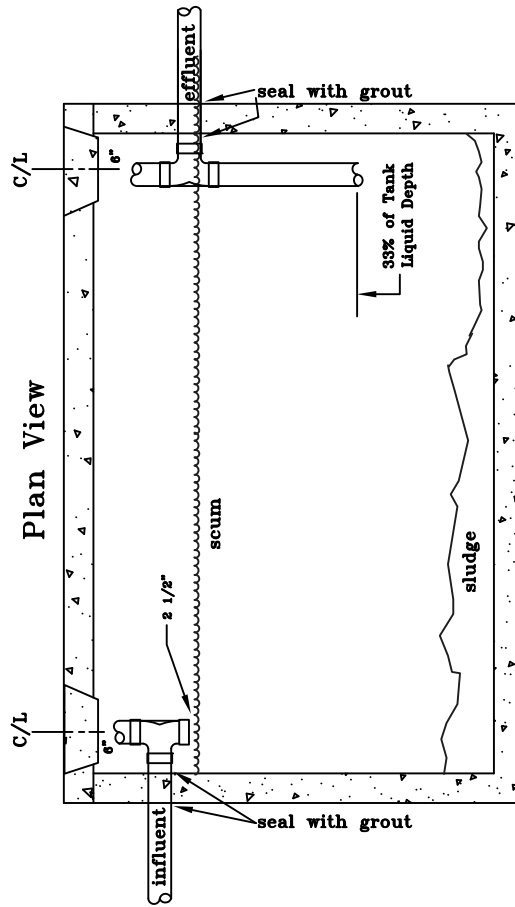
(b) The interceptor shall be baffled and vented as specified in the septic tank construction standards found elsewhere in 64E-6.013, provided that a vented inlet tee, vented sweep, or a baffle shall be provided.

(c) The interceptor shall not receive waste flow from kitchen fixtures or be used as a grease trap.

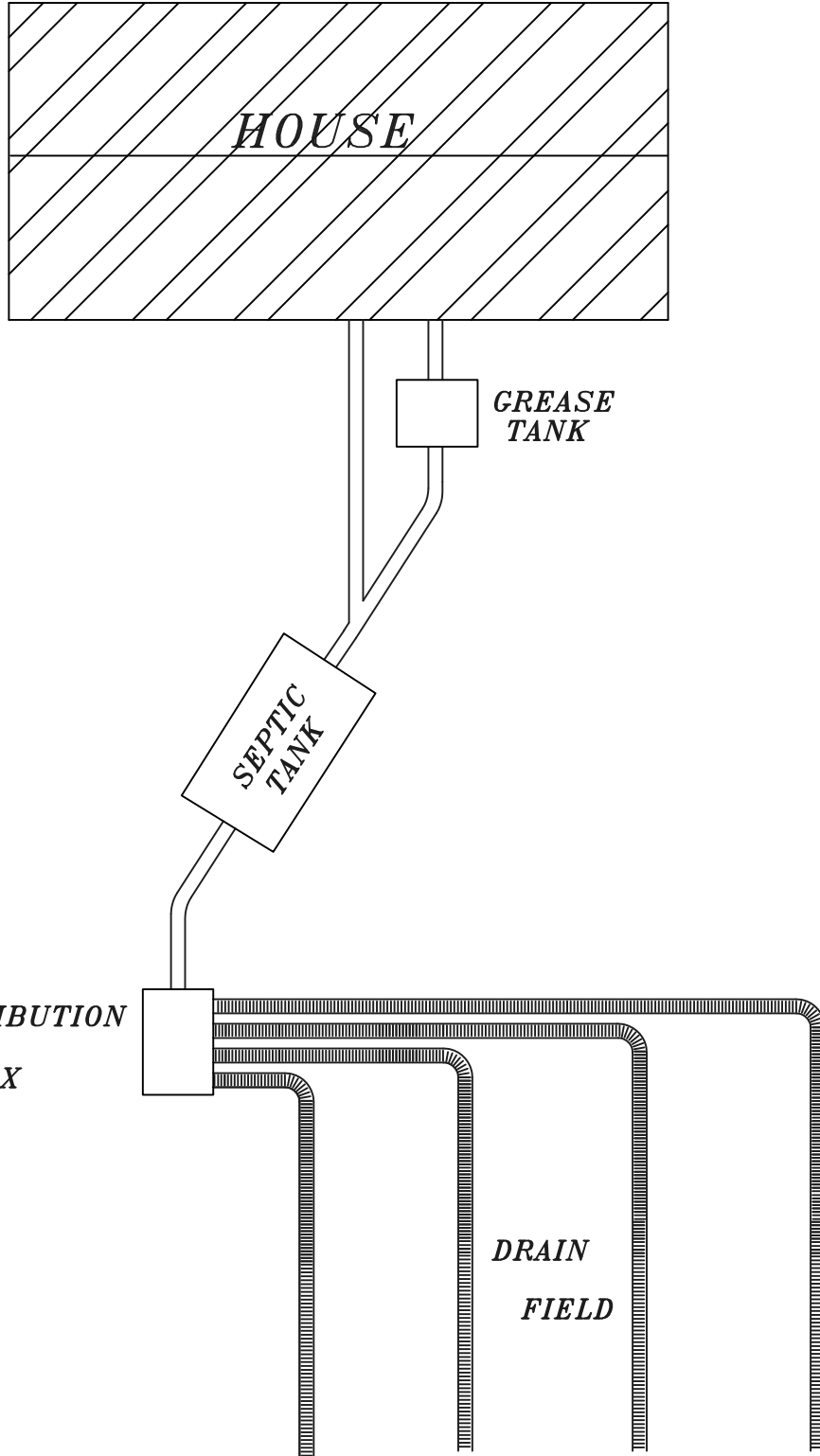
Top View



Plan View

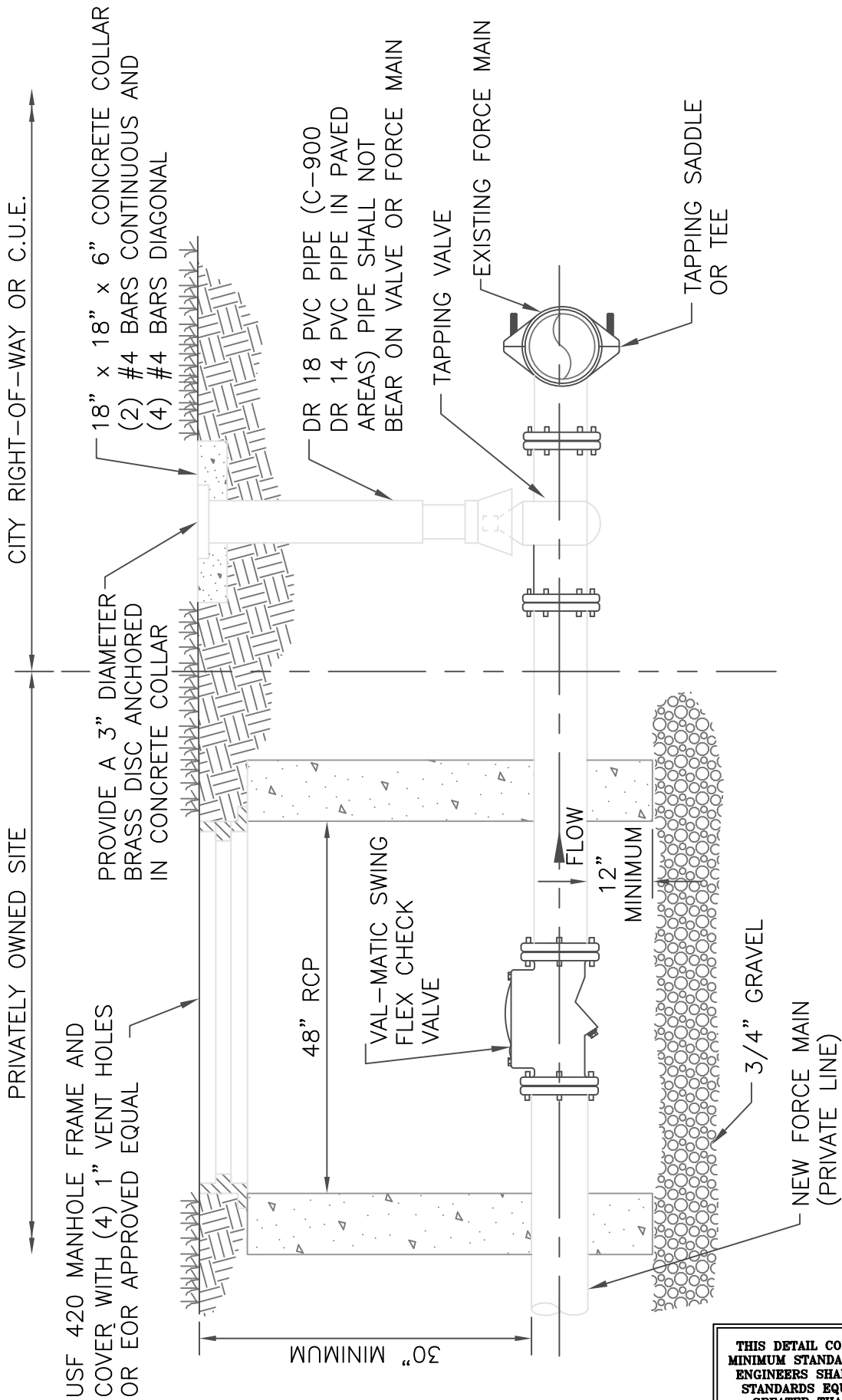


FOR:	UTILITIES ENGINEERING DIVISION	CITY OF NAPLES
DATE: SEPT 2013	<i>GREASE INTERCEPTOR</i>	SHEET: WW-12
DRAWN: JAF		DIR: WASTEWATER
SCALE: N.T.S.	380 RIVERSIDE CIRCLE, NAPLES, FL. 34102	DWG. WW-12.DWG



THIS DETAIL CONSTITUTES
 MINIMUM STANDARDS. DESIGN
 ENGINEERS SHALL PROVIDE
 STANDARDS EQUAL TO OR
 GREATER THAN THESE.

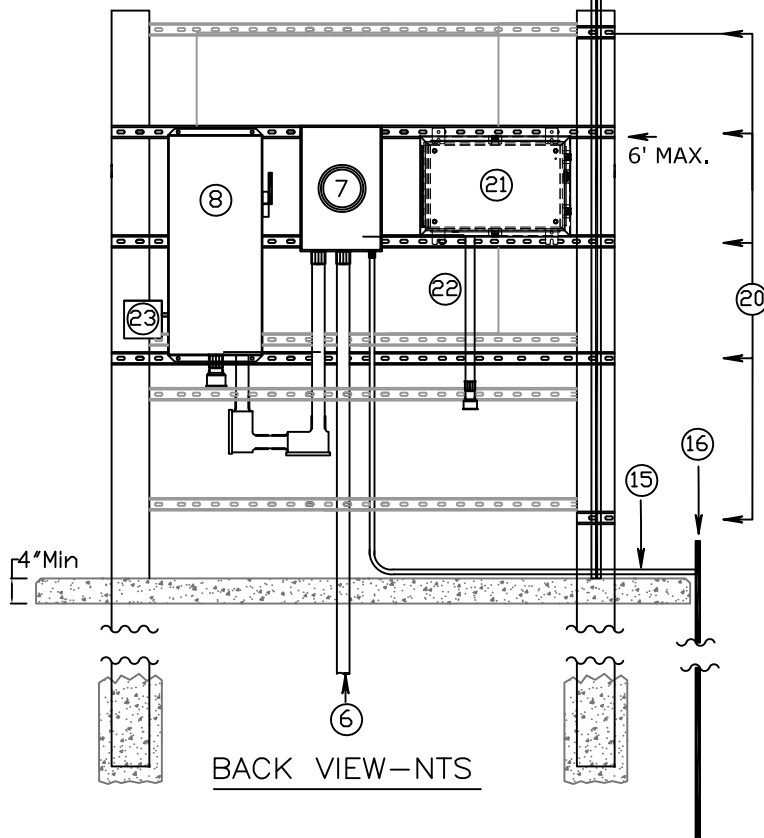
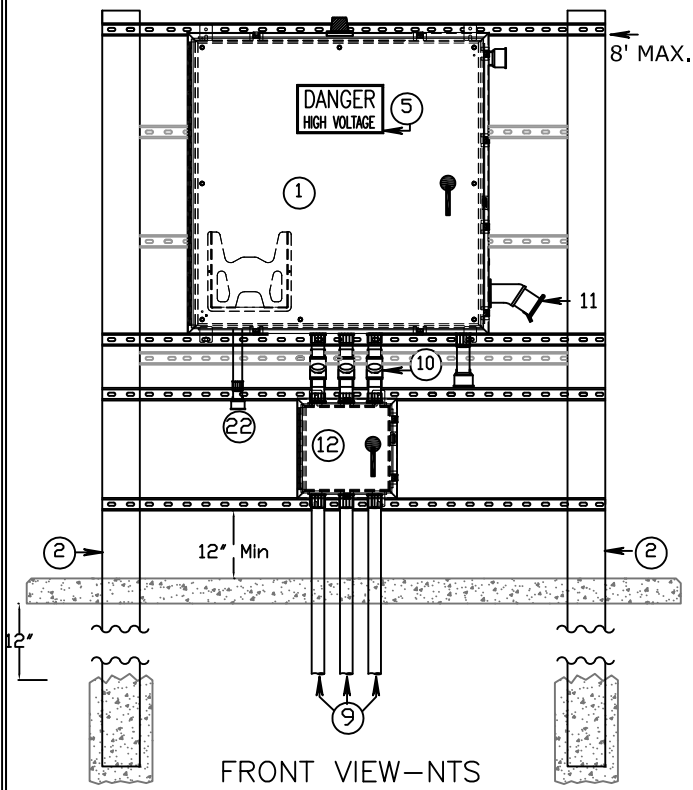
FOR:	UTILITIES ENGINEERING DIVISION	CITY OF NAPLES
DATE: SEPT 2010	<i>TYPICAL RESIDENTIAL SANITARY DISPOSAL SYSTEM</i>	SHEET: WW-13
DRAWN: JAF		DIR: WASTEWATER
SCALE: N.T.S.	380 RIVERSIDE CIRCLE, NAPLES, FL. 34102	DWG. WW-13.DWG



THIS DETAIL CONSTITUTES
 MINIMUM STANDARDS. DESIGN
 ENGINEERS SHALL PROVIDE
 STANDARDS EQUAL TO OR
 GREATER THAN THESE.

FOR:	UTILITIES ENGINEERING DIVISION	CITY OF NAPLES
DATE: SEPT 2010	<i>PRIVATE FM CONNECTION</i>	SHEET: WW-14
DRAWN: JAF	<i>TO CITY FM</i>	DIR: WASTEWATER
SCALE: N.T.S.	380 RIVERSIDE CIRCLE, NAPLES, FL. 34102	DWG. WW-14.DWG

DETAILS OF CONTROL PANEL MOUNTING



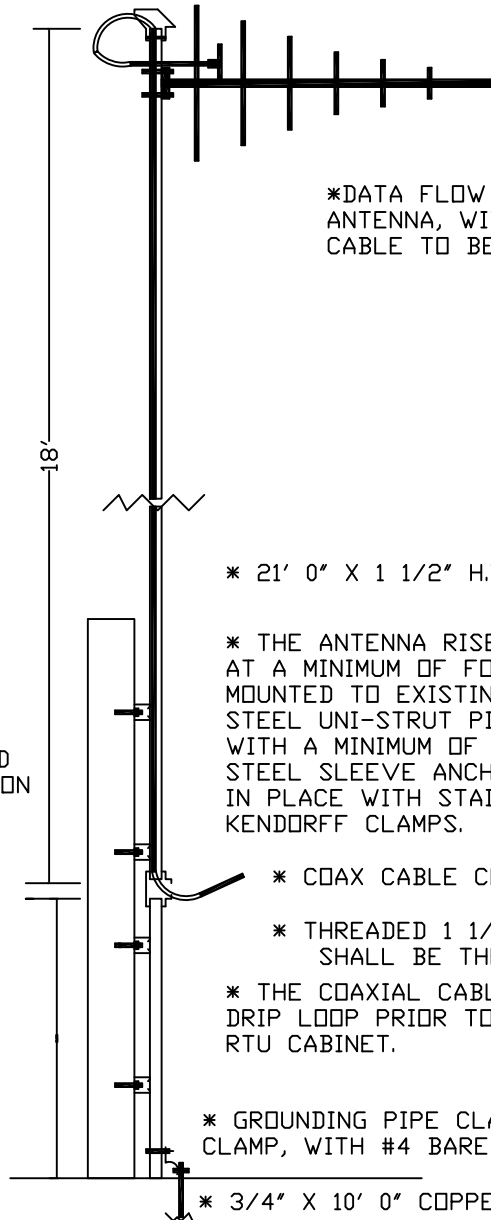
ITEM	DESCRIPTION/NOTES
1	Enclosure ___ x ___ x ___" D; with aluminum dead-front door & backplate (See Details for Minimum Requirements). Enclosure shall be Type 304 Stainless Steel or Aluminum, NEMA 3, 4, or 4X as required by location, gasketed, continuous hinge, lockable hasp, 3-point latch system, drip edge, and wind restrainer arms for both main door & dead-front door & all hardware to restrain doors in the open position. SS Enclosures shall be utilized for all severe locations, while most locations will require an Aluminum Enclosure. Contact City Utility Engineer for preference.
2	6"x6"x12" long (min) reinforced concrete posts; with a minimum of 4' buried. Posts shall be anchored in concrete from 3" below bottom of post, to one foot below finished grade. Posts shall be true and smooth.
3	All enclosures, conduits, and associated equipment shall be mounted to Type 304 Stainless Steel H - 1 7/8" channel strut as supplied by B-Line Systems or approved equal. All mounting hardware shall type 304 Stainless Steel (Nuts, Bolts, Washers, etc.) (Anchors shall be a minimum of 3/8" x 2 3/4" L Wedgeit or approved equal)
4	All structural and/or components of the control panel installation shall be as specified herein or Approved Equal. All electrical components shall be in accordance with N.E.C latest revision. Any local electrical codes in conflict with the detail shown, shall be resolved by the Electrical Contractor/ Engineer, with the Approval of the City Utility Engineer, prior to construction.
5	Plastic Warning Label stating "DANGER HIGH VOLTAGE" (to OSHA Standards) shall be supplied and mounted on the outer door of the Control Panel by means of weather-proof adhesive or cement.
6	A ___ Volt, 60Hz, 3 Phase, 4 Wire underground power supply (CU Only) ___ # of conductors ___ wire gauge; in 2" Min. SCH 80 PVC Conduit, to be extended to the FPL Hand-Hole Box (not to exceed 100' from meter can) by the contractor. Contractor shall be responsible for providing FPL Drop and Hand Hole.
7	Service Meter Can shall be furnished by the Contractor.
8	A ___ Amp, Fused Safety Disconnect Switch in Nema 3, 4, or 4X (As Required) Stainless Steel Enclosure with handle locking plate. Power Supply to control panel shall exit through underside of the switch. The disconnect switch shall have a hinged door, lockable, quick release latch.
9	2" Min. SCH 80 PVC conduit for pump power cables and control cables. Cables shall be continuous from pump/sensors to J-Box. No splices allowed.
10	"WYE" Explosion Proof Seals - Cast Aluminum, Min. 2", 3 Min Required. Seals shall be supplied with epoxy sealant kits recommended by MFG. Supply Myers Hubs at panel and j-box, and AL or SS threaded nipples for each unit.

ITEM	DESCRIPTION/NOTES
11	Generator receptical shall be 100% compatible with Utilities Emergency Generators. Contact Utility Engineer for correct unit.
12	NEMA 3, 4, or 4X Stainless Steel or Aluminum junction box, with 3 point latching system, hinged/lockable/gasketed cover, & back-plate. Min. size 18"x18"x8"D.
13	An Anti-Corrosion material shall be placed on electrical connections.
14	Copper conductors from panel to J-Box shall be color coded and one wire size larger than required by pump manufacturer.
15	#4 wire ground in 3/4" SCHD 80 PVC conduit to ground rod. Install two ground rods with 6' separation, connect with brass compression connectors. Not to be installed in concrete slabs.
16	Install 2 - 3/4" x 10'L DI Copper-Clad ground rods, 6' separation.
17	Schedule 80 PVC (as required by Code) conduit, sized per loads.
18	PVC Type LB Slip Fittings with gasketed PVC screw-down covers.
19	Contractor shall install proper holes, fittings, and sealants to suit required piping.
20	The Antenna pipe shall be mounted and secured to the stainless steel strut, at a minimum of four (4) points, as shown on drawing.
21	DATA-FLOW System RTU 005 TAC II Unit to be installed by authorized personnel only. The system shall be the latest version, include: Cabinet, power supply, RIM/Radio, Monitor & Control Modules, Analog Module (Min. 4 in, 2 out [4-20Ma]), Antenna Pole (21" x 1 1/2" galvanized rigid pipe with Rain Cap, threaded Tee), Antenna, Coax, fittings, all hardware required, installation, and startup services.
22	1.25" PVC SCH 80 Conduit for RTU interface wires.
	SCHMATIC SHOWN IS BASED ON 460/230 VOLT, 3 PHASE, 5 WIRE PRIMARY POWER SOURCE. PANEL SCHEMATIC, SHOP DRAWINGS INCLUDE: PANEL LAYOUT, SCHEMATICS, AND COMPLETE PARTS LISTS, SHALL BE SUBMITTED TO THE CITY OF NAPLES UTILITIES ENGINEER FOR REVIEW & APPROVAL, PRIOR TO PANEL CONSTRUCTION. ALL PANEL MANUFACTURER'S MUST CONTACT THE UTILITY ENGINEER FOR DEMONSTRATION OF PRODUCT AND QUALIFICATIONS FOR APPROVAL STATUS.
23	SQD/SCHNEIDER ELECTRIC PANEL SURGE SUPPRESSOR #SDSA3650
	FOUR (4) SETS OF CONTROL PANEL AS-BUILT DRAWINGS SHALL BE SUPPLIED DURING START-UP OPERATIONS.
	THE PANEL MANUFACTURER SHALL SUPPLY THE CITY THE AS-BUILT DRAWINGS ON A CD IN DWG 2004 FORMAT AT STARTUP.

FOR:	UTILITIES DEPARTMENT	CITY OF NAPLES
DATE: FEB. 2011	WASTEWATER PUMP STATION	SHEET: WW-15
DRAWN: JAF/DAG	CONTROL PANEL MOUNTING	DIR: WASTEWATER
SCALE: N.T.S.	380 RIVERSIDE CIRCLE, NAPLES, FLORIDA, 34102	DWG. WW-15.DWG

THIS DETAIL CONSTITUTES
MINIMUM STANDARDS. DESIGN
ENGINEERS SHALL PROVIDE
STANDARDS EQUAL TO OR
GREATER THAN THESE.

* 1 1/2" WEATHER-HEAD
ALUMINUM.



*DATA FLOW SYSEMS RTA 411 YAGI OR EQUAL
ANTENNA, WITH COAXIAL CABLE W/CONNECTORS.
CABLE TO BE INSTALLED INSIDE OF 1 1/4" PIPE.

* 21' 0" X 1 1/2" H.W. GALVANIZED PIPE.

* THE ANTENNA RISER PIPE IS TO BE SUPPORTED
AT A MINIMUM OF FOUR (4) HORIZONTALLY
MOUNTED TO EXISTING 1 7/8" STAINLESS
STEEL UNI-STRUT PIECES, ANCHORED IN PLACE
WITH A MINIMUM OF ONE 3/8" X 2 3/4" STAINLESS
STEEL SLEEVE ANCHORS. THE PIPE SHALL BE HELD
IN PLACE WITH STAINLESS STEEL 1 1/2" H.W.
KENDORFF CLAMPS.

* 1 1/2" PIPE SHALL BE SUPPORTED
AT A MINIMUM OF FOUR POINTS ON
THE 6" CONCRETE POSTS.

* COAX CABLE CONNECTED TO RTU PANEL.

* THREADED 1 1/2" GALVANIZED TEE. PIPE ENDS
SHALL BE THREADED.

* THE COAXIAL CABLE SHALL UTILIZE A FULL
DRIP LOOP PRIOR TO CONNECTION TO THE
RTU CABINET.

* 6" X 6" CONCRETE SUPPORT
POST FOR SERVICE AND CONTROL
PANEL SUPPORT(EXISTING).

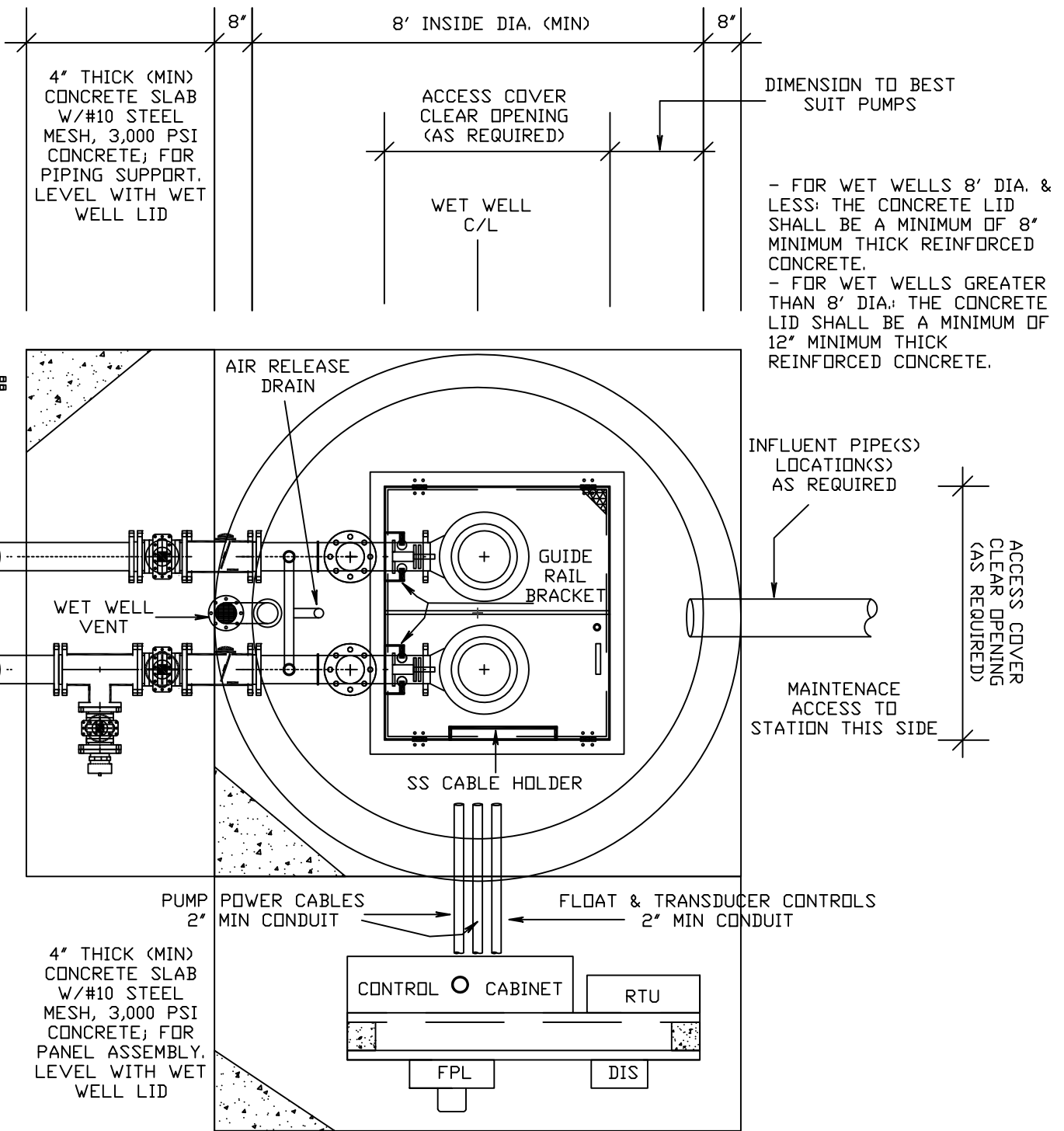
* GROUNDING PIPE CLAMP AND GROUND ROD
CLAMP, WITH #4 BARE GROUND WIRE.

* 3/4" X 10' 0" COPPER CLAD GROUND ROD (EXISTING).

* RTU CABINET SHALL BE MOUNTED AS SHOWN
ON THE PUMP STATION SERVICE/CONTROL
PANEL DETAIL.

*RTU SHALL BE SUPPLIED WITH: RIM/RADIO MODULE,
POWER SUPPLY, MONITOR MODULE, CONTROL
MODULE, AND AN ANALOG MODULE.

FOR:	UTILITIES DEPARTMENT	CITY OF NAPLES
DATE: SEPT 2010	WASTEWATER PUMPING STATION	SHEET: WW-16
DRAWN: JAF	RTU ANTENNA MOUNTING	DIR: WASTEWATER
SCALE: N.T.S.	380 RIVERSIDE CIRCLE., NAPLES, FLORIDA, 34102	DWG. WW-16.DWG



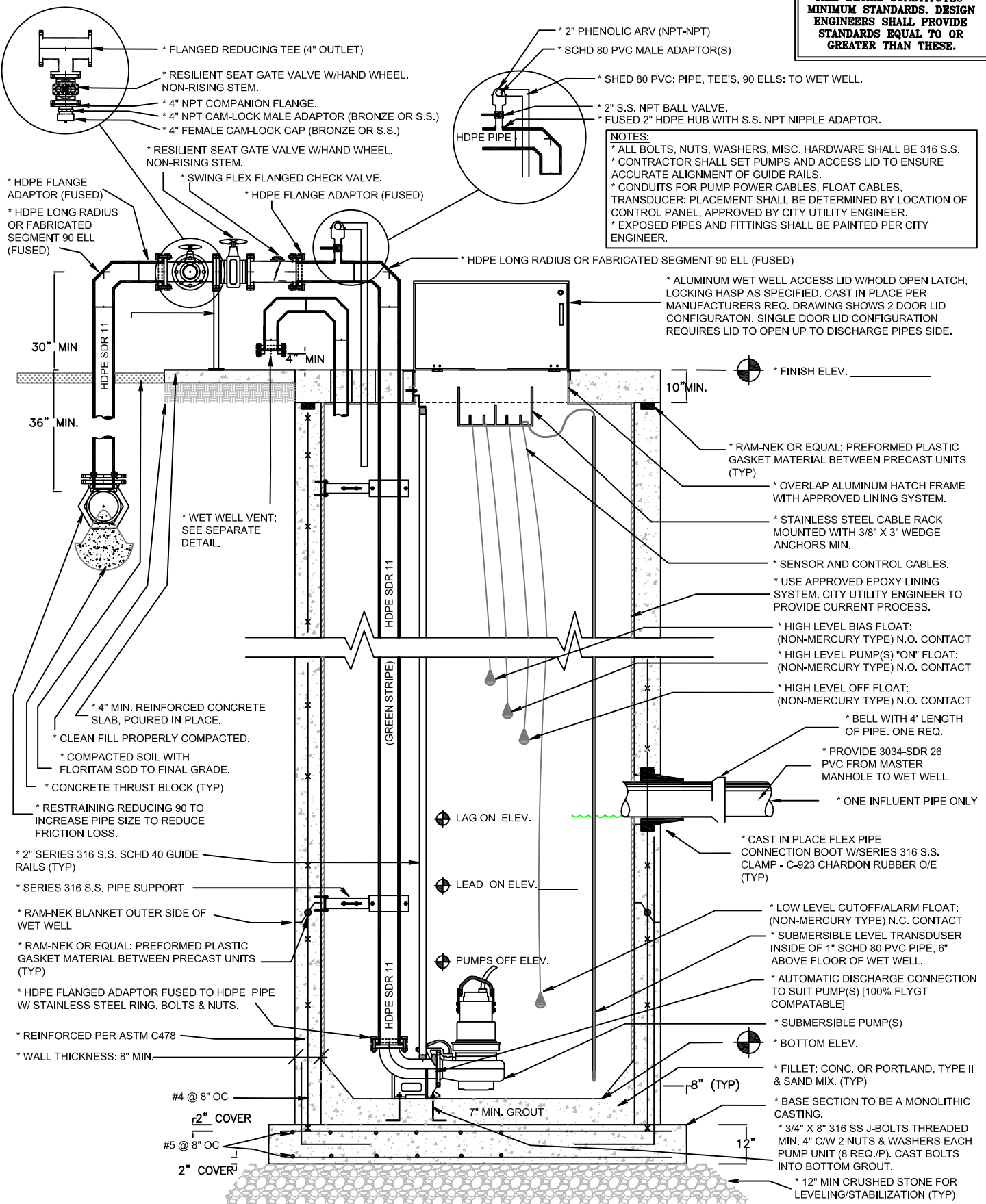
DISCHARGE MANIFOLD PIPING TO BE A MIN. OF ONE (1) PIPE SIZE LARGER THAN PUMP DISCHARGE PIPE.

ALL STATIONS ACCEPTED BY THE CITY SHALL BE PROVIDED WITH A 7' HIGH, 9 GAGE, BLACK VINYL CHAIN LINK FENCE. ALL POSTS SHALL BE 2"+ DIA, AND ENCLOSURE SHALL HAVE BOTH TOP & BOTTOM RAILS (1" MIN.). A 10' WIDE MINIMUM, LOCKABLE DOUBLE SWING GATE SHALL BE PROVIDED FOR ACCESS OF MAINTENANCE VEHICLES. A 4' WIDE, LOCKABLE, SWING MAN-GATE SHALL BE PROVIDED AT THE LOCATION OF THE FPL METER.

THIS DETAIL CONSTITUTES MINIMUM STANDARDS. DESIGN ENGINEERS SHALL PROVIDE STANDARDS EQUAL TO OR GREATER THAN THESE.

FOR:	UTILITIES DEPARTMENT	CITY OF NAPLES
DATE: SEPT 2010	WASTEWATER PUMP STATION	SHEET: WW-17
DRAWN: DAG	SITE PLAN - PLAN VIEW	DIR: WASTEWATER
SCALE: N.T.S.	380 RIVERSIDE CIRCLE, NAPLES, FLORIDA 34102	DWG. WW-17.DWG

**THIS DETAIL CONSTITUTES
MINIMUM STANDARDS. DESIGN
ENGINEERS SHALL PROVIDE
STANDARDS EQUAL TO OR
GREATER THAN THESE.**

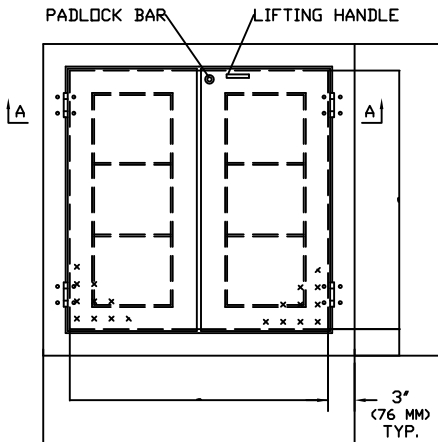


FOR:	UTILITIES DEPARTMENT	CITY OF NAPLES
DATE: JULY 2013	WASTEWATER PUMP STATION	SHEET: WW-18
DRAWN: DAG	CROSS SECTION VIEW	DIR: WASTEWATER
SCALE: N.T.S.	380 RIVERSIDE CIRCLE, NAPLES, FLORIDA 34102	DWG. WW-18.DWG

WET WELL ALUMINUM ACCESS COVER DETAIL (NTS)

THIS DETAIL CONSTITUTES
MINIMUM STANDARDS. DESIGN
ENGINEERS SHALL PROVIDE
STANDARDS EQUAL TO OR
GREATER THAN THESE.

TWO DOOR - ACCESS COVER

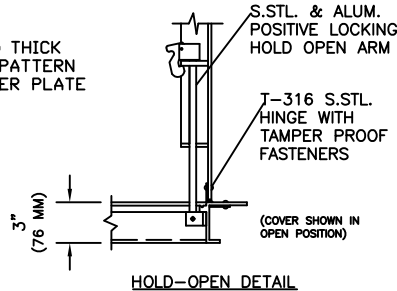
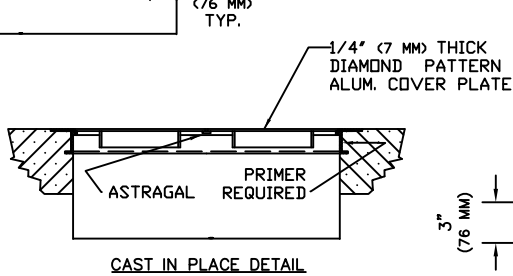
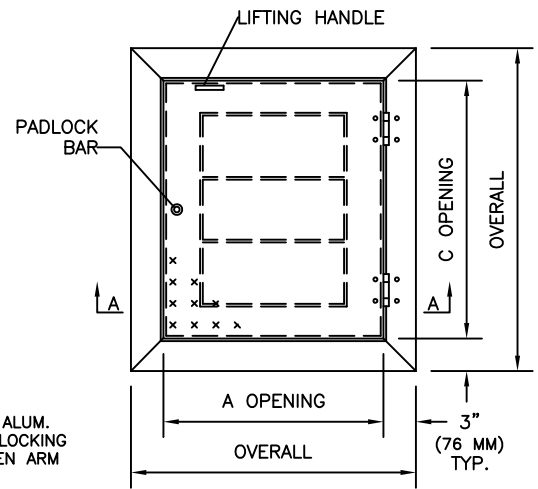


STANDARD INCLUSIVE FEATURES:

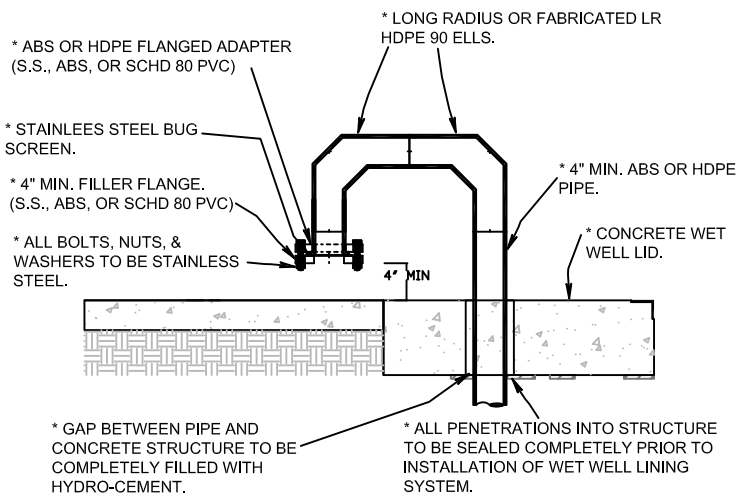
- AUTO-LOCK T-316 STAINLESS STEEL HOLD OPEN ARM WITH RELEASE HANDLE
- T-316 STAINLESS STEEL HINGES AND ATTACHING HARDWARE
- NON-CORROSIVE PADLOCK BAR
- DOUBLE LEAF CONSTRUCTION
- 300 LBS. PER SQ. FT. LOAD RATING (1464 KG. PER SQ. METER LOAD RATING)
- EXTRUDED ALUMINUM FRAME
- RECESSED LIFTING HANDLE
- LIFETIME GUARANTEE

PROPOSED ACCESS COVER SIZE(S)				
QTY.	MODEL NO.	A DIM. INCHES (MM)	C DIM. INCHES (MM)	UNIT WT. LBS. (KG.)

SINGLE DOOR - ACCESS COVER

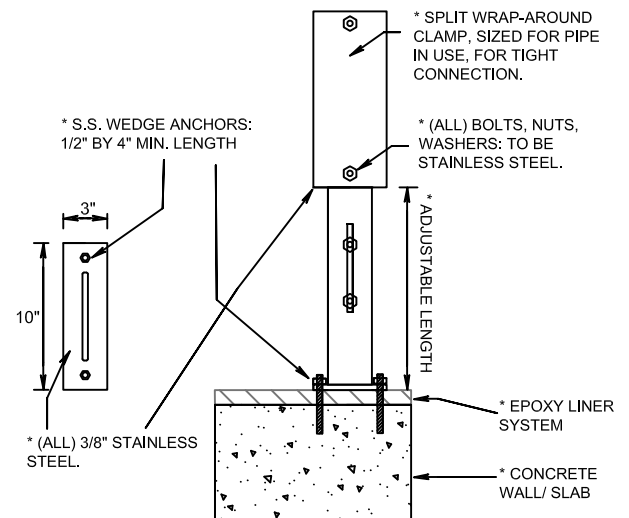


* ACCESS DOOR CONFIGURATION SHALL BE BASED ON THE PUMP MANUFACTURER'S RECOMMENDATIONS, AND APPROVED BY THE CITY OF NAPLES UTILITY ENGINEER.



* LOCATION OF VENT PENETRATION SHALL BE DETERMINED BY CITY ENGINEER UPON SUBMITTAL OF STATION PLAN. NOT TO BE INSTALLED ON PANEL OR DRIVE ACCESS AREAS.

WET WELL VENT DETAIL
(NTS)



STAINLESS STEEL WET WELL HDPE PIPE SUPPORT
DETAIL (NTS)

FOR:	UTILITIES DEPARTMENT	CITY OF NAPLES
DATE: SEPT 2010	<i>Wastewater Pump Station</i>	SHEET: WW-19
DRAWN: DAG	<i>Pump Station Sub-Details</i>	DIR: WASTEWATER
SCALE: N.T.S.	380 RIVERSIDE CIRCLE, NAPLES, FLORIDA, 34102	DWG. WW-19.DWG

Notes And Specifications

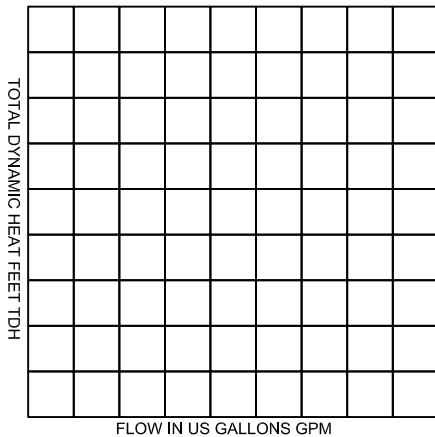
THIS DETAIL CONSTITUTES MINIMUM STANDARDS. DESIGN ENGINEERS SHALL PROVIDE STANDARDS EQUAL TO OR GREATER THAN THESE.

NOTES:

1. SERIES 316 STAINLESS STEEL SHALL BE USED IN THE WET WELL AND VALVE ASSEMBLY FOR FLANGE, BOLTS, NUTS, BRACKETS, GUIDE RAILS, AND OTHER HARDWARE. CONTROL PANEL STRUCTURE HARDWARE SHALL BE 304 S.S.
2. ALL EXTERIOR SURFACES FOR BELOW GROUND STRUCTURES SHALL BE KOPPERS, O/E, 300 M COAL TAR EPOXY; HAVING A 34-35% EPOXY RESIN BY WEIGHT, OR ENGINEER OF RECORD APPROVED COATING. TWO COATS WITH A TOTAL DRY FILM THICKNESS OF 18 MILS (MIN). APPLICATION BY SPRAY OR BRUSH.
3. CONTRACTOR SHALL FURNISH MASTER PADLOCKS (KEYED ALIKE WITH NUMBER & MODEL PROVIDED BY CITY UTILITY ENGINEER). THERE SHALL BE TWO KEYS PER LOCK PROVIDED. LOCKS SHALL BE PROVIDED FOR ALL: CONTROL & POWER PANELS, WET WELL, AND FENCE GATES.
4. ALL CONCRETE SHALL BE TYPE II CEMENT, 3,000 PSI MINIMUM.
5. CONTRACTOR SHALL PROVIDE PRECAST STRUCTURES AND SUBMIT SHOP DRAWINGS TO THE CITY UTILITY ENGINEER FOR REVIEW AND APPROVAL. STRUCTURES SHALL BE LIMITED TO 6' 0" MAX SECTIONS OF 8' 0" DIAMETER MINIMUM REINFORCED CONCRETE, IN ACCORDANCE WITH ASTM C-478, WALL THICKNESS, ASTM C-78, WALL 8" MIN.. WHENEVER POSSIBLE, NO OPENING SHALL BE WITHIN 12" OF END OF ANY SECTION.
6. SEE PUMPING STATION DATA TABLES FOR SPECIFIC ELEVATIONS AND DIAMETERS.
7. DISTANCE BETWEEN PUMPS SHALL BE DETERMINED BY MANUFACTURER'S RECOMMENDATIONS OR THE DISTANCE BETWEEN THE DISCHARGE PIPES, WHICHEVER IS GREATER.
8. DISCHARGE PIPES SHALL BE PARALEL TO EACH OTHER.
9. DURING INSTALLATION, THE CONTRACTOR SHALL MAINTAIN GROUND WATER ELEVATION BELOW THE BOTTOM OF THE WET WELL , UNTIL FULLY BACKFILLED AND COMPACTED TO AVOID SHIFTING OR FLOTATION.
10. ALARM LIGHT SHALL BE 40 WATT INCANDESCENT, RED - IMPACT RESISTANT PLASTIC GLOBE AS DETAILED IN CONTROL PANEL SPECIFICATIONS.
11. INSTALLATION OF ACCESS COVER, PUMP ANCHOR BOLTS, GUIDE RAILS/BRACKETS, ETC.; SHALL BE COORDINATED WITH THE DETAILS AND SPECIFICATIONS AS RECOMMENDED BY THE PUMP MANUFACTURER.
12. THE ELECTRIC SERVICE WIRING TO THE PUMP STATION DISCONNECT SWITCH AND CONTROL PANEL SHALL BE SIZED BY THE ELECTRICAL CONTRACTOR TO PROVIDE A VOLTAGE DROP NOT GREATER THAN 5% OF THE LINE VOLTAGE FROM THE POWER COMPANY, WHEN ALL PUMPS ARE OPERATING AT THEIR MAXIMUM START UP LOAD.
13. THE CONTRACTOR SHALL SUBMIT TO THE CITY UTILITY ENGINEER; THE FINAL LOCATIONS OF THE TRANSFORMER AND ELECTRICAL SERVICE CONDUIT.
14. ALL ABOVE GROUND PIPING, VALVES, CHECK VALVES, AND FITTINGS SHALL BE PAINTED WITH TWO COATS OF COLOR AND TYPE OF PAINT PROVIDED BY THE CITY ENGINEER.
15. THE CONTRACTOR SHALL PROVIDE COMPLETE ELECTRICAL SERVICE. ALL COSTS OF POWER SERVICE, CONNECTION FEES, AND USERS FEES SHALL BE THE RESPONSIBILITY OF THE CONTRACTOR. UPON FINAL APPROVAL OF THE PUMP STATION BY THE CITY, THE CONTRACTOR SHALL SUBMIT TO THE POWER COMPANY A REQUEST TO TRANSFER THE POWER SERVICE ACCOUNT TO THE CITY OF NAPLES.
16. 3/4" X 8" 316 S.S. J-BOLTS THREADED MIN. 4" C/W, W/2 NUTS & 2 WASHERS EACH, FOR DISCHARGE ELBOWS. CAST BOLTS INTO BOTTOM GROUT.
17. CONTRACTOR SHALL ENSURE THAT THE WET WELL IS LEAK FREE PRIOR TO APPLICATION OF REQUIRED EPOXY LINING SYSTEM. CONTRACTOR TO CONTACT CITY UTILITY ENGINEER FOR CURRENT APPROVED EPOXY LINING SYSTEM.

PUMP STATION SPECIFICATIONS			
DESCRIPTION	DATA 1	DATA 2	UNITS
NUMBER OF PUMPS	#1	#2	
PUMP MANUFACTURER			
PUMP MODEL NUMBER			
IMPELLER NUMBER			
TYPE OF PUMP			
DESIGN CAPACITY PER PUMP			(GPM)
TOTAL DYNAMIC HEAD			(TDH)
SHUT OFF HEAD			(TDH)
DESIGN SPEED			(RPM)
MIN. HORSEPOWER PER PUMP			(HP)
VOLTS			(VOLTS)
AMPS			(AMPS)
PHASE POWER			(PH)
PUMP DISCHARGE SIZE			(INCHES)
RISER PIPE SIZE			(INCHES)
TOP OF WET WELL ELEV.			(FEET)
BIAS HIGH WATER ALARM ELEV.			(FEET)
HIGH LEVEL PUMP(S) ON ELEV.			(FEET)
HIGH LEVEL PUMPS OFF ELEV.			(FEET)
GRAVITY INFLUENT PIPE ELEV.			(FEET)
LAG PUMP ON ELEV.			(FEET)
LEAD PUMP ON ELEV.			(FEET)
PUMPS OFF ELEV.			(FEET)
BOTTOM OF WET WELL ELEV.			(FEET)
BASIS OF DESIGN			
	ADF (GPM)	PHF(GPM)	EDU (1 EDU = 250GPD)
EXISTING			
INTERIM			
FUTURE			

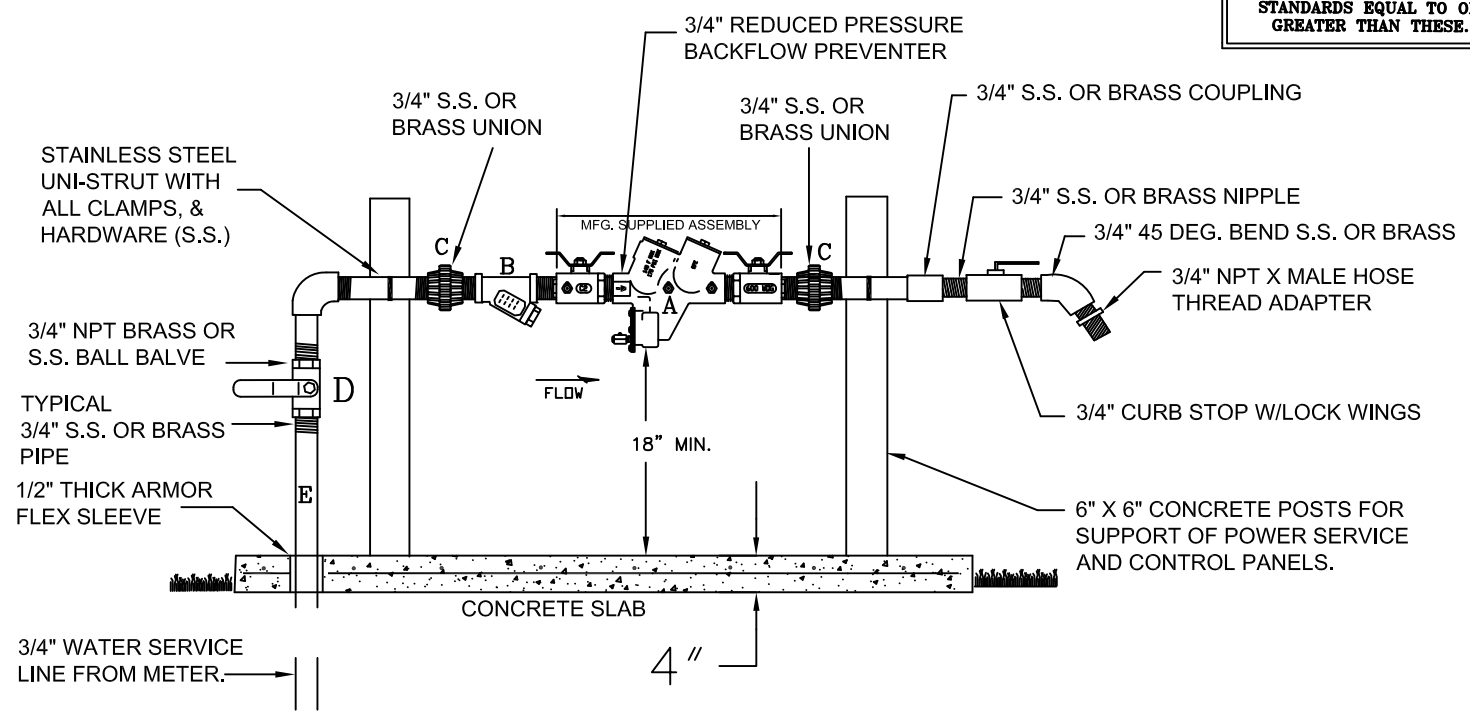
Pump Curve



ENGINEER/CONTRACTOR SHALL PROVIDE PUMP MANUFACTURER PUMP PERFORMANCE CURVE FOR PROPOSED PUMP STATION PROJECT.

FOR:	UTILITIES DEPARTMENT	CITY OF NAPLES
DATE: SEPT 2010	WASTEWATER PUMP STATION	SHEET: WW-20
DRAWN: DAG	NOTES & SPECIFICATIONS	DIR: WASTEWATER
SCALE: N.T.S.	380 RIVERSIDE CIRCLE, NAPLES, FLORIDA, 34102	DWG. WW-20.DWG

THIS DETAIL CONSTITUTES
MINIMUM STANDARDS. DESIGN
ENGINEERS SHALL PROVIDE
STANDARDS EQUAL TO OR
GREATER THAN THESE.



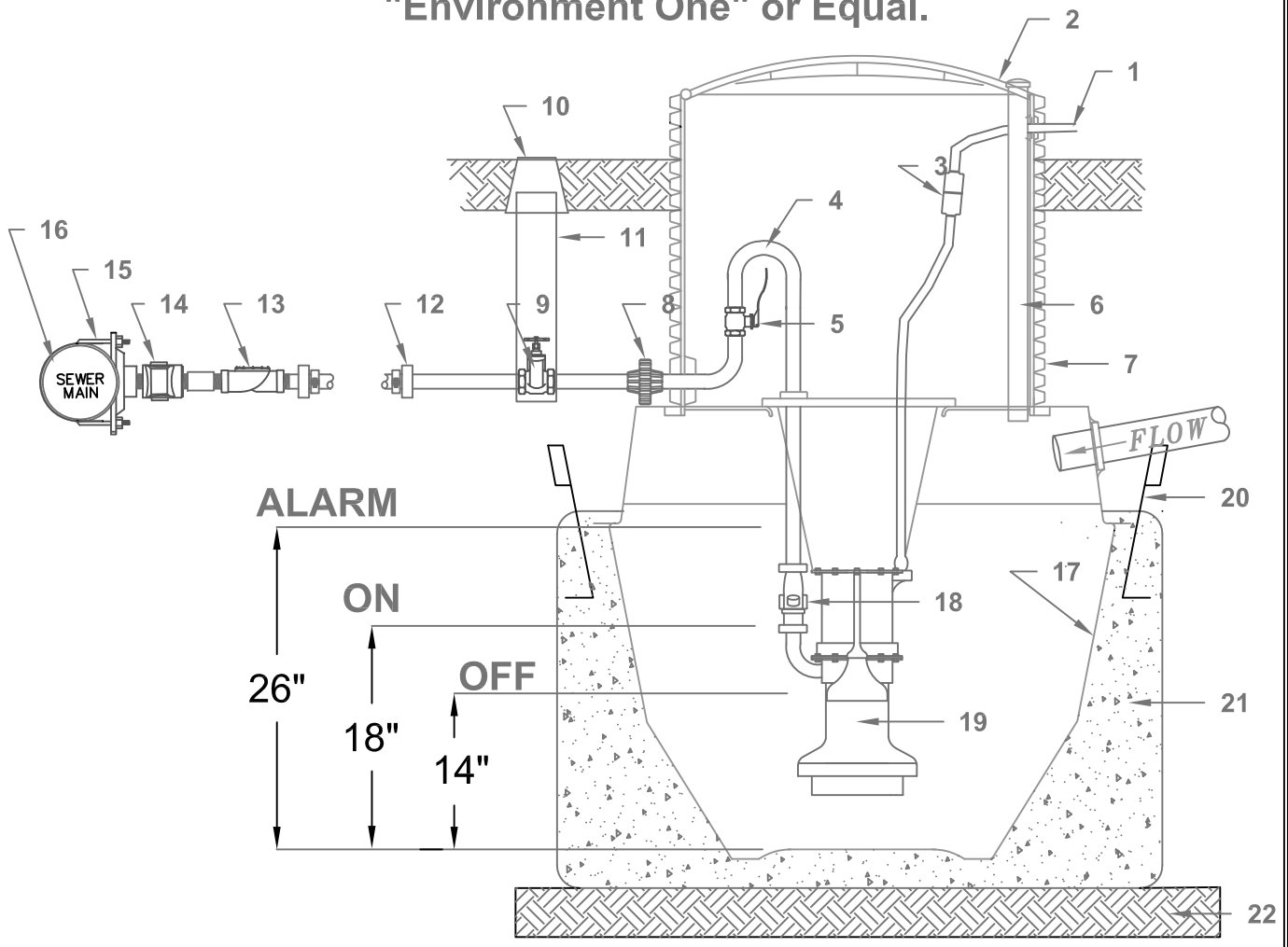
3/4" TO 2"
**RPBA & WATER SERVICE
INSTALLATION FOR A
WASTEWATER PUMP STATION**

GENERAL NOTES FOR INSTALLATION OF
REDUCED PRESSURE BACKFLOW ASSEMBLIES (RPBA)

- NOTE * -TO BE INSTALLED A MINIMUM OF 18" (INCHES) TO A MAXIMUM OF 30" (INCHES) OVER FINAL FINISHED GRADE AS MEASURED TO THE LOWEST POINT OF THE RP ASSEMBLY
- ALL PIPING FOR ASSEMBLY SHALL BE BRASS OR STAINLESS STEEL.
 - UNPROTECTED CONNECTIONS ARE PROHIBITED BETWEEN BACKFLOW PREVENTER AND METER.
- A- REDUCED PRESSURE BACKFLOW ASSEMBLY- HERSEY, WATTS, FEBCO, AMES, WILKINS AND CONBRACO APPROVED FOR USE WITHIN CITY OF NAPLES WATER JURISDICTION.
 B - STRAINER
 C - UNIONS
 D - ISOLATION SHUT OFF VALVES (2), OF BALL VALVE TYPE;
 E - SIZES 3/4" TO 2"
- BACKFLOW UNIT REQUIRES INITIAL AND ANNUAL CERTIFICATION BY CERTIFIED TESTER WITH ANNUAL TEST RESULTS SUBMITTED TO THE CITY UTILITY DEPARTMENT.
 - ATTACH PIPING AND BACKFLOW TO A STAINLESS STEEL UNI-STRUT WITH STAINLESS STEEL CLAMPS, BOLTS,NUTS, WASHERS, ANCHORS, ETC. (HARDWARE).

FOR:	UTILITIES DEPARTMENT	CITY OF NAPLES
DATE: SEPT 2010	WASTEWATER PUMP STATION	SHEET: WW-21
DRAWN: DAG	WATER SERVICE & BACKFLOW DEVICE	DIR: WASTEWATER
SCALE: N.T.S.	380 RIVERSIDE CIRCLE, NAPLES, FLORIDA 34102	DWG. WW-21.DWG

Grinder Pump Station "Environment One" or Equal.



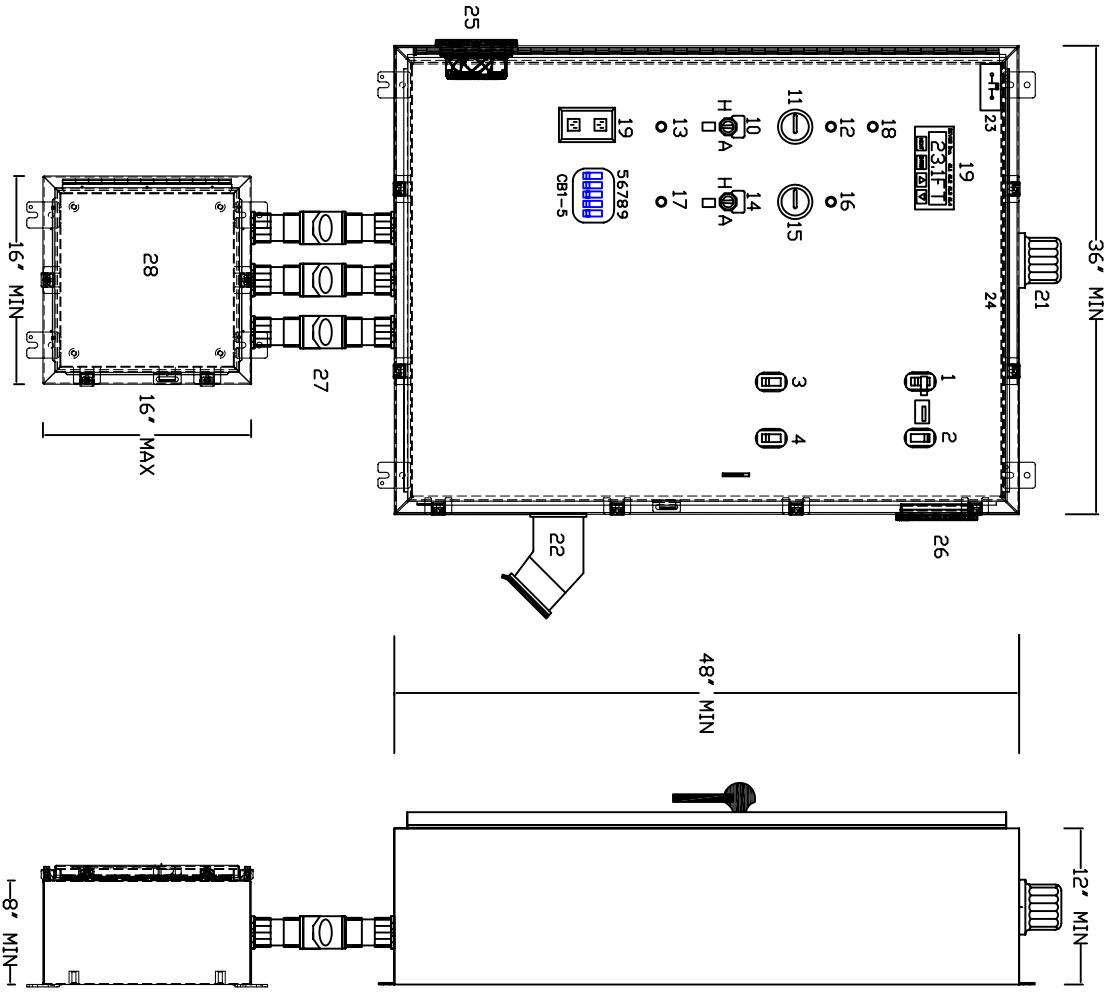
1	Strain Relief Cord Connector
2	Water Tight Lid, With Padlock
3	Electrical Disconnect (EQD)
4	Quick Disconnect Assembly (304 S.S.)
5	Ball Valve (Curb Stop)
6	Internal Well Vent (2" Dia.)
7	Dual Wall HDPE Corrugated Pipe
8	Disconnect--1 1/4" Copper or Compression Union
9	1 1/4" Gate Valve (Fully Ported)
10	Valve Box
11	Valve Box Extension (PVC)
12	1 1/4" Adapter (Copper Pipe to HDPE SDR 9 Poly-Pipe)
13	1 1/4" Check Valve (Rubber Flapper-Fully Ported)
14	1 1/4" Corporation Stop (Ford Brass)
15	Tapping Saddle (Cast Double Strap S.S.)
16	Force Main (C-900 PVC)
17	Fiberglass Reinforced Polyester Tank (1/4" Nominal Wall Thickness)
18	Check valve
19	Semi-Positive Displacement Pump (1 H.P Direct Drive)
20	1" Steel Lifting Eyes
21	Concrete (400# + 370#/foot of height required to prevent floating)
22	6" - 3/4" Stone Bedding on Compacted Earth

**** NOTES:**

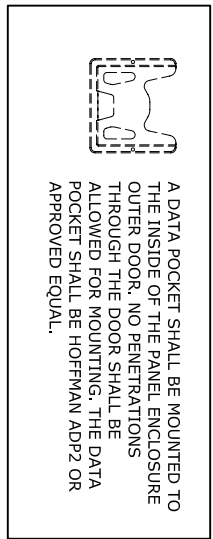
- 1 Installation must conform to all applicable codes (i.e. building, electric & plumbing)
- 2 Disconnect joint must be beyond the outside of the Grinder Pump core and a minimum of 3' of headroom over the tank to allow for pump removal.
- 3 Minimum cover over pump assembly shall be 36' unless otherwise directed by the engineer of record.

**THIS DETAIL CONSTITUTES
MINIMUM STANDARDS. DESIGN
ENGINEERS SHALL PROVIDE
STANDARDS EQUAL TO OR
GREATER THAN THESE.**

FOR:	UTILITIES ENGINEERING DIVISION	CITY OF NAPLES
DATE: SEPT 2010	LOW PRESSURE SANITARY SEWER	SHEET: WW-22
DRAWN: PK	SIMPLEX GRINDER PUMP STATION	DIR: WASTEWATER
SCALE: N.T.S.	380 RIVERSIDE CIRCLE, NAPLES, FL. 34102	DWG. WW-22.DWG



- 1 - MAIN CIRCUIT BREAKER
- 2 - GENERATOR CIRCUIT BREAKER
- 3 - P-1 MOTOR CIRCUIT BREAKER
- 4 - P-2 MOTOR CIRCUIT BREAKER
- 5 - CB1 CONTROL CIRCUIT BREAKER (15A)
- 6 - CB2 DUPLEX RECEPTACLE C.B. (20A)
- 7 - CB3 LIGHTING CIRCUIT BREAKER (15A)
- 8 - CB4 SPARE CIRCUIT BREAKER (20A)
- 9 - CB5 RTU POWER (15A)
- 10 - P-1 HOA SELECTOR SWITCH
- 11 - P-1 ELAPSED TIME METER
- 12 - P-1 RUN PILOT LIGHT (GREEN)
- 13 - P-1 MOTOR THERMAL ALARM P.L. (RED)
- 14 - P-2 HOA SELECTOR SWITCH
- 15 - P-2 ELAPSED TIME METER
- 16 - P-2 RUN PILOT LIGHT (GREEN)
- 17 - P-2 MOTOR THERMAL ALARM PILOT LIGHT (RED)
- 18 - HIGH LEVEL ALARM PILOT LIGHT (RED)
- 19 - GFCl DUPLEX RECEPTACLE
- 20 - LEVEL PUMP CONTROLLER W/SUBMERSIBLE TRANSDUCER
- 21 - EXTERNAL ALARM LIGHT
- 22 - GENERATOR RECEPTACLE
- 23 - PANEL INTRUSION ALARM SWITCH
- 24 - PANEL CONVENIENCE LIGHT BAR
- 25 - COOLING FAN PACKAGE
- 26 - COOLING EXHAUST PACKAGE
- 27 - PANEL(S) SEAL-OFF ASSEMBLIES
- 28 - JUNCTION BOX



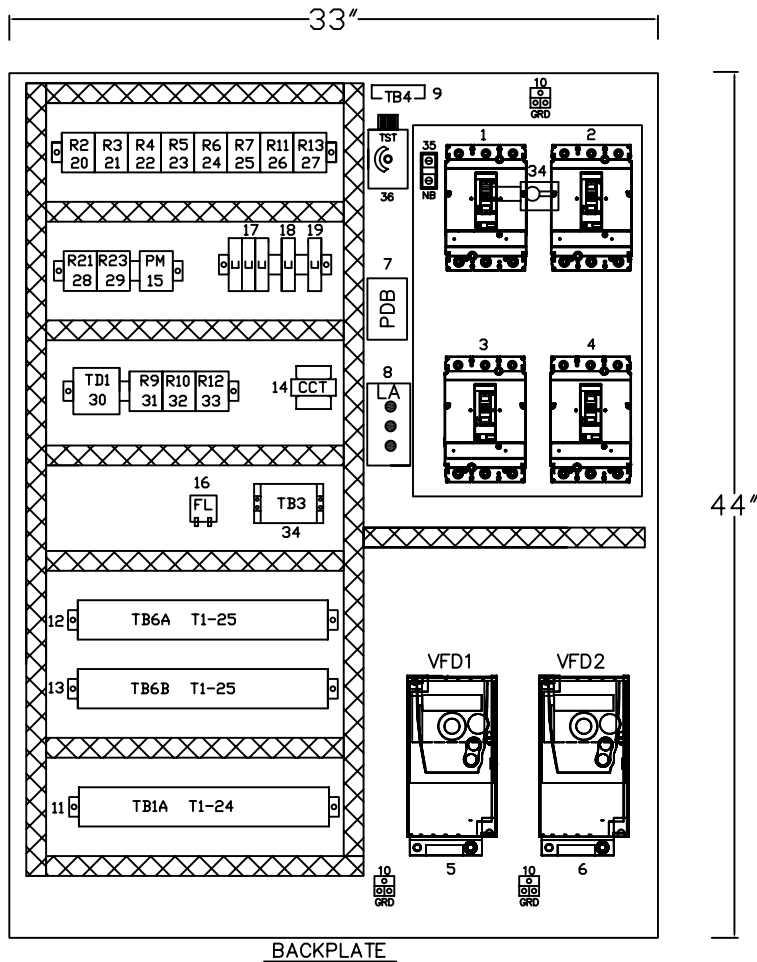
KEY NOTES:

- * OUTER DOOR HAS BEEN REMOVED FOR CLARITY
- * PANEL ENCLOSURE SIZE SHALL BE DETERMINED BY PROPER SPACING & CODE REQUIREMENTS OF ALL SPECIFIED COMPONENTS TO BE INSTALLED.
- * CONFIGURATION MAY VARY. FOR A TYPICAL 10 HP, 460 VAC, 3 PH PANEL, MAINTAINING A 1.5" SEPARATION BETWEEN COMPONENTS & CABLE TRAYS REQUIRES A MINIMUM OF A 36"W X 48"H X 12"D ENCLOSURE.
- * THE SUB-PANEL DOOR SHALL BE EQUIPPED WITH A WIND (HOLD OPEN) RESTRAINT MECHANISM.
- * THE PANEL ENCLOSURE SHALL BE SUPPLIED WITH A CONTINUOUS DRIP EDGE.
- * THE ENCLOSURE SHALL BE ALUMINUM NEMA 3R, 4, OR 12 AS REQUIRED, GASKET SEAL DOORS, A MINIMUM OF A THREE POINT LATCH SYSTEM, LOCKING HASP, AND STAINLESS STEEL HINGES & HARDWARE.
- * SINGLE DOOR ENCLOSURES SHALL REQUIRE ONE (1) EA INTRUSION DOOR SWITCH. PANEL INTRUSION DOOR SWITCH: SWITCH SHALL BE CLEANLY AND SECURELY MOUNTED. SWITCH SHALL BE WEATHER RESISTANT, NON-EXPOSED CONTACTS/TERMINALS, IMPACT RESISTANT. SWITCH CAN BE MAGNETIC, MECHANICAL, ETC.
- * ITEM 23 PANEL CONVENIENCE LIGHT BAR: THE SPECIFIED PORTFOLIO 27" LED LIGHT STRIP SHALL BE MOUNTED BEHIND THE SUB-DOOR AND UNDER THE TOP OF PANEL.

THIS DETAIL CONSTITUTES MINIMUM STANDARDS. DESIGN ENGINEERS SHALL PROVIDE STANDARDS EQUAL TO OR GREATER THAN THESE.

20HP & BELOW: 230VAC-3PH-4W-60HZ ONLY

FOR:	UTILITIES DEPARTMENT	CITY OF NAPLES
DATE: NOV. 2011	DUPLEX PUMP CONTROL PANEL	SHEET: WW-23
DRAWN: DAG	TYPICAL DEAD FRONT PANEL	DIR: WASTEWATER
SCALE: N.T.S.	380 RIVERSIDE CIRCLE, NAPLES, FLOIRDA, 34102	DWG. WW-23.DWG

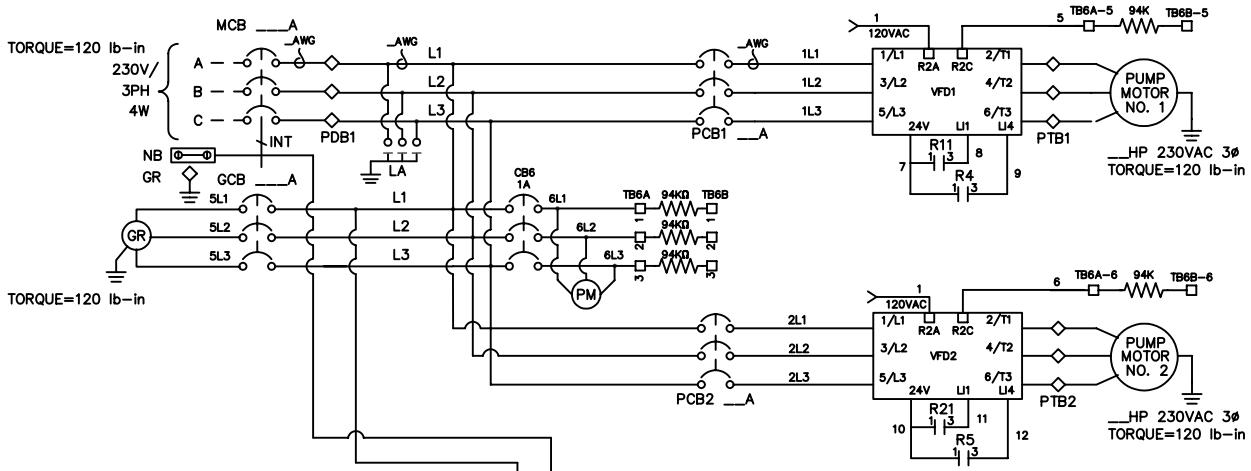


- | | | | |
|-----------|--|-----------|--|
| 1 - MCB | - MAIN CIRCUIT BREAKER | 20 - R2 | - P-1 CALL (CONTROLLER) RELAY (110V, 8PIN) |
| 2 - GCB | - GENERATOR CIRCUIT BREAKER | 21 - R3 | - P-2 CALL (CONTROLLER) RELAY (110V, 8PIN) |
| 3 - PCB1 | - P-1 MOTOR CIRCUIT BREAKER | 22 - R4 | - VFD#1 RESET RELAY (110V, 8 PIN) |
| 4 - PCB2 | - P-2 MOTOR CIRCUIT BREAKER | 23 - R5 | - VFD#2 RESET RELAY (110V, 8 PIN) |
| 5 - VFD1 | - VARIABLE FREQUENCY DRIVE #1 | 24 - R6 | - P-1 REMOTE DISABLE RELAY (110V, 8PIN) |
| 6 - VFD2 | -VARIABLE FREQUENCY DRIVE #2 | 25 - R7 | - P-2 REMOTE DISABLE RELAY (110V, 8PIN) |
| 7 - PDB | - POWER DISTRIBUTION BLOCK
(3POLE/MULTITAP) | 26 - R11 | - VFD1 REMOTE RUN RELAY (110V, 8PIN) |
| 8 - LA | - LIGHTNING ARRESTER | 27 - R21 | - VFD1 REMOTE RUN RELAY (110V, 8PIN) |
| 9 - TB4 | - TERMINAL BLOCK 4: ALARM LIGHT | 28 - R13 | - P-1 MOTOR THERMAL RELAY (110V, 11PIN) |
| 10 - GRD | - GROUND LUG(S) | 29 - R23 | - P-2 MOTOR THERMAL RELAY (110V, 11PIN) |
| 11 - TB1A | - TERMINAL BLOCK 1A | 30 - TD1 | - HIGH LEVEL TIME DELAY RELAY (24V, 8PIN) |
| 12 - TB6A | - TERMINAL BLOCK 6A | 31 - R9 | - FLOAT CONTROL ON RELAY (24V, 11PIN) |
| 13 - TB6B | - TERMINAL BLOCK 6B | 32 - R10 | - LOW LEVEL FLOAT ALARM RELAY (24V, 11PIN) |
| 14 - CCT | - CONTROL CIRCUIT TRANSFORMER (120V-24V) | 33 - R12 | - PANEL INTRUSION ALARM RELAY (24V, 11PIN) |
| 15 - PM | - PHASE MONITOR 230V, 8PIN | 34 - BINT | - MAIN/GEN. MECHANICAL BREAKER INTERLOCK |
| 16 - FL | - FLASHER (110V SOLID STATE) | 35 - NB | - NEUTRAL BLOCK |
| 17 - CB6 | - PHASE MONITOR CIRCUIT BREAKERS (3P-1A) | 36 - TST | - FAN THERMOSTAT |
| 18 - CB7 | - CCT PRIMARY CIRCUIT BREAKER (1P-1A) | | |
| 19 - CB8 | - CCT SECONDARY CIRCUIT BREAKER (1P-3A) | | |

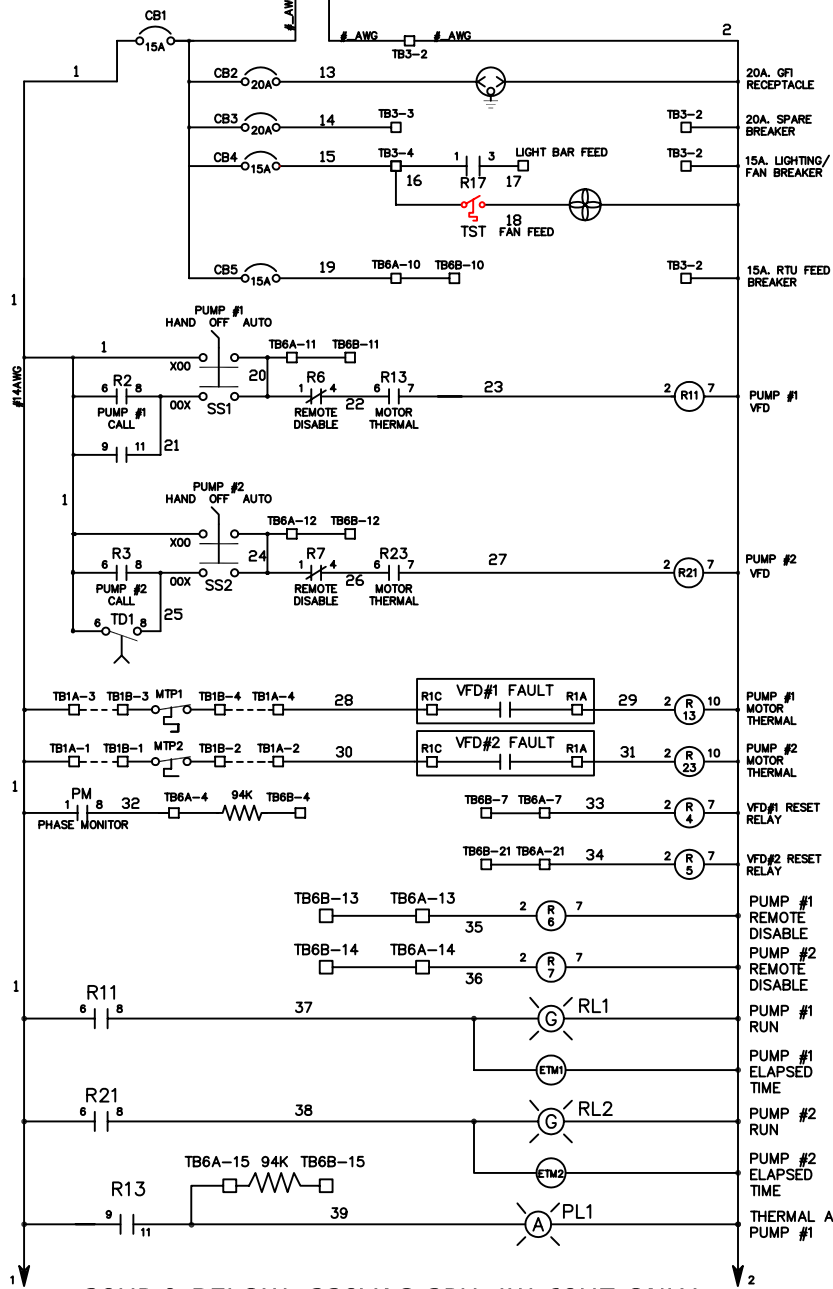
THIS DETAIL CONSTITUTES
MINIMUM STANDARDS. DESIGN
ENGINEERS SHALL PROVIDE
STANDARDS EQUAL TO OR
GREATER THAN THESE.

20HP & BELOW: 230VAC-3PH-4W-60HZ ONLY

FOR:	UTILITIES DEPARTMENT	CITY OF NAPLES
DATE: NOV. 2011	DUPLEX PUMP CONTROL PANEL	SHEET: WW-24
DRAWN: DAG	TYPICAL BACKPLATE LAYOUT	DIR: WASTEWATER
SCALE: N.T.S.	380 RIVERSIDE CIRCLE, NAPLES, FLORIDA, 34102	DWG. WW-24.DWG



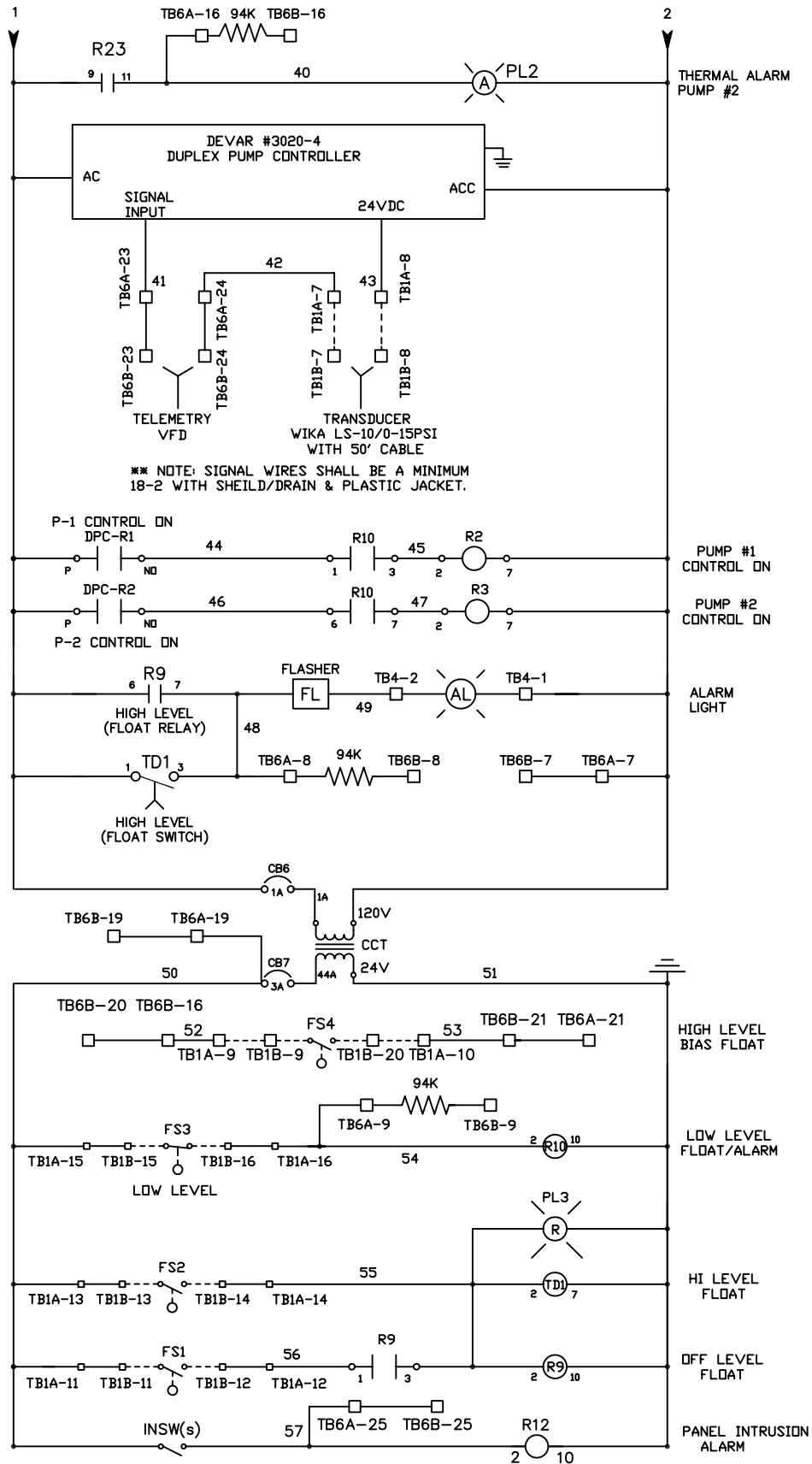
ALL WIRES SHALL BE CLEARLY NUMBERED/LABELLED AT EACH CONNECTION/TERMINATION.



20HP & BELOW: 230VAC-3PH-4W-60HZ ONLY

THIS DETAIL CONSTITUTES MINIMUM STANDARDS. DESIGN ENGINEERS SHALL PROVIDE STANDARDS EQUAL TO OR GREATER THAN THESE.

FOR:	UTILITIES DEPARTMENT	CITY OF NAPLES
DATE: NOV. 2011	DUPLEX PUMP CONTROL PANEL	SHEET: WW-25
DRAWN: DAG	POWER/CONTROL WIRING LAYOUT 1	DIR: WASTEWATER
SCALE: N.T.S.	380 RIVERSIDE CIRCLE, NAPLES, FLORIDA, 34102	DWG. WW-25.DWG

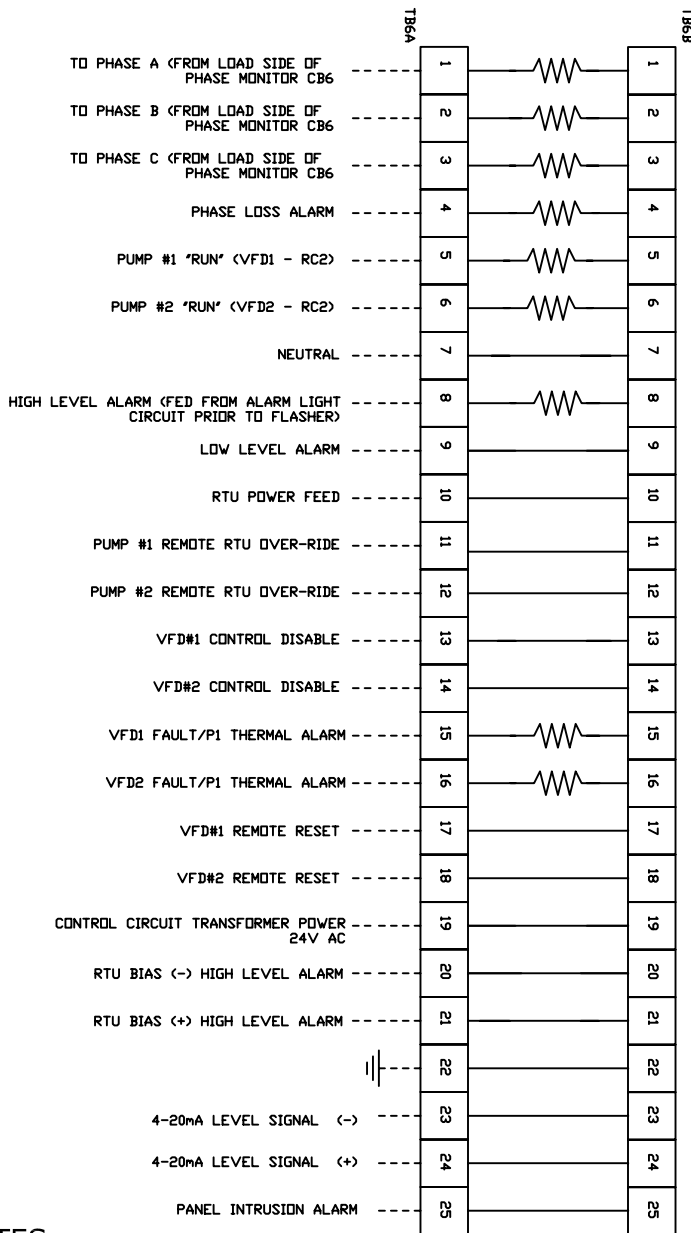


ALL WIRES SHALL BE CLEARLY NUMBERED/LABELED AT EACH CONNECTION/TERMINATION.

THIS DETAIL CONSTITUTES MINIMUM STANDARDS. DESIGN ENGINEERS SHALL PROVIDE STANDARDS EQUAL TO OR GREATER THAN THESE.

20HP & BELOW: 230VAC-3PH-4W-60HZ ONLY

FOR:	UTILITIES DEPARTMENT	CITY OF NAPLES
DATE: NOV. 2011	DUPLEX PUMP CONTROL PANEL	SHEET: WW-26
DRAWN: DAG	POWER/CONTROL WIRING LAYOUT2	DIR: WASTEWATER
SCALE: N.T.S.	380 RIVERSIDE CIRCLE, NAPLES, FLORIDA, 34102	DWG. WW-26.DWG



RTU INTERFACE TERMINAL STRIP

ALL WIRES SHALL BE CLEARLY NUMBERED/
LABELED AT EACH CONNECTION/TERMINATION.

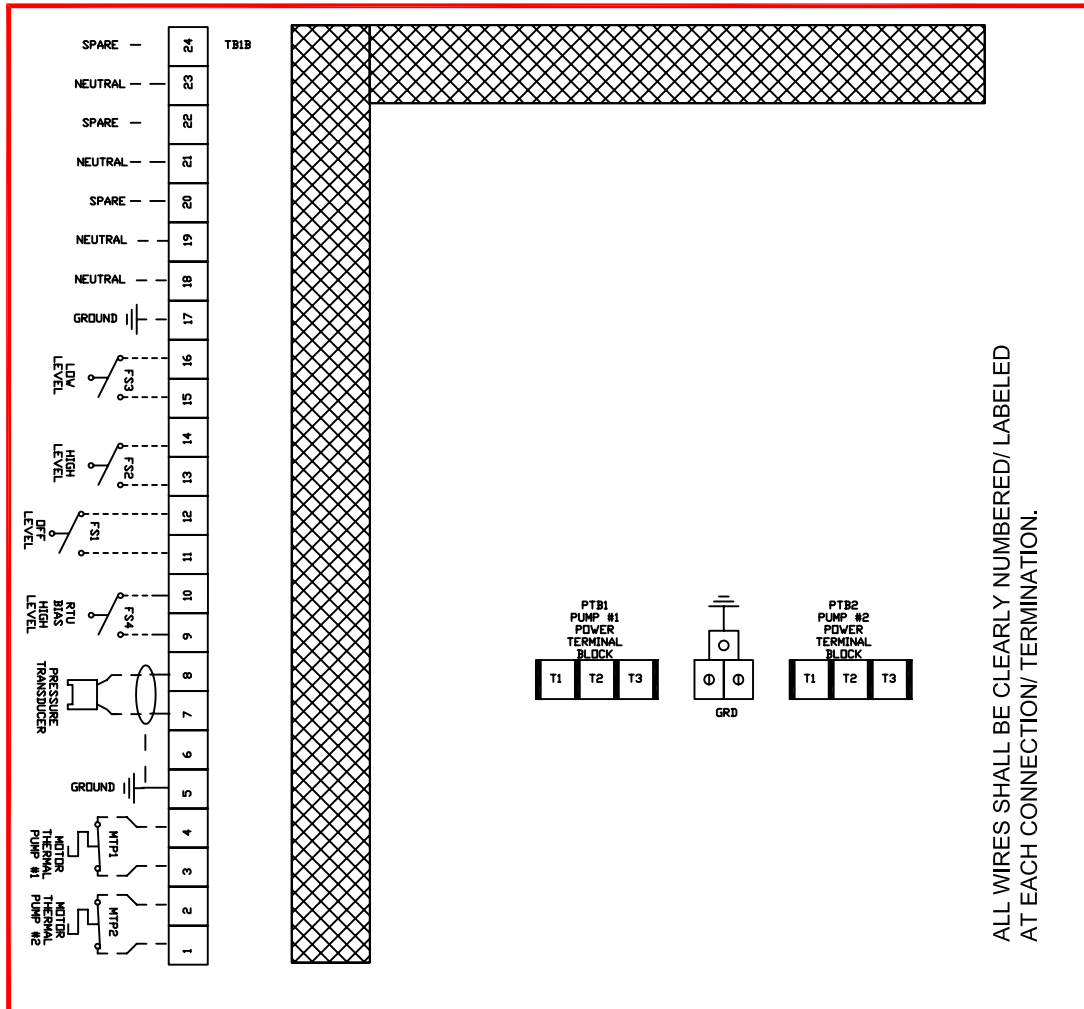
NOTES:

- 5A. TB6A & TB6B SHALL BE INSTALLED IN THE CONTROL PANEL AS DESCRIBED IN DRAWING "WW-24", WITH UN-OBSTRUCTED ACCESS AND A MINIMUM OF 1.5" SEPARATION FOR THE INSTALLATION OF THE RESISTORS AND JUMPER WIRES. THE 1.5" SEPARATION SHALL BE UNIFORM BETWEEN COMPONENTS AND WIREWAYS TO ALLOW ACCESS.
- 5B. ALL REQUIRED RESISTORS SHALL BE RATED AT 94K OHM @ 2 WATTS.
- 5C. TERMINAL BLOCKS TB6A & TB6B SHALL BE SQD 9080 SERIES OR EQUAL

THIS DETAIL CONSTITUTES MINIMUM STANDARDS. DESIGN ENGINEERS SHALL PROVIDE STANDARDS EQUAL TO OR GREATER THAN THESE.

20HP & BELOW: 230VAC-3PH-4W-60HZ ONLY

FOR:	UTILITIES DEPARTMENT	CITY OF NAPLES
DATE: NOV. 2011	<i>DUPLEX PUMP CONTROL PANEL</i>	SHEET: WW-27
DRAWN: DAG	<i>RTU INTERFACE TERMINAL DETAIL</i>	DIR: WASTEWATER
SCALE: N.T.S.	380 RIVERSIDE CIRCLE, NAPLES, FLOIRDA, 34102	DWG. WW-27.DWG



ALL WIRES SHALL BE CLEARLY NUMBERED/ LABELED AT EACH CONNECTION/ TERMINATION.

JUNCTION BOX BACKPLATE LAYOUT

REQUIRED TERMINATIONS IN SPECIFIED JUNCTION BOX

- 6A. LAYOUT MAY VARY SLIGHTLY AS REQUIRED
- 6B. BACKPLATE SHALL BE ALUMINUM.
- 6C. THE J-BOX SHALL BE ALUMINUM, 3, 4, OR 4X AS REQUIRED, WITH EXTERNAL MOUNTING BRACKETS, HINGED DOOR, GASKET SEAL, DRIP EDGE, & LOCKABLE.
- 6D. THE J-BOX SHALL BE SIZED TO PROPERLY ACCOMODATE ALL CONDUITS, FITTINGS, TERMINAL BLOCKS, AND SPECIFIED WIRING WITH ADEQUATE CLEARANCES AND SPACING. MINIMUM OR 16"X16"X 8"D. JUNCTION BOX CAN NOT EXCEED 16" HIGH. IF SPACING REQUIREMENTS REQUIRE MORE AREA, THE J-BOX SHALL BE MADE WIDER INSTEAD OF HIGHER;OR USE TWO MATCHING J-BOXES PER SPACE FILL REQUIERMENTS.
- 6E. THE TERMINAL BLOCKS, POWER BLOCKS, LUGS, AND WIRE RACE SHALL BE MOUNTED AS SHOWN IN THE ABOVE DETAIL. TB1B SHALL BE SQ D SERIES 9080, 30AMP RATED OR EQUAL. POWER BLOCKS AND LUGS SHALL BE SIZED ONE SIZE LARGER THAN REQUIRED LOADS.
- 6F. FOR CITY IN-HOUSE INSTALLATIONS: THE SPECIFIED J-BOX SHALL BE SUPPLIED WITH THE CONTROL PANEL; ALONG WITH THE REQUIRED MYERS HUBS, AL/SS NIPPLES, SEAL-OFFS AS REQUIERD BY CITY UTILITY STANDARDS; BUT WILL BE FIELD INSTALLED AND WIRED BY CITY PERSONNEL.
- 6G. FOR CONTRACTOR/DEVELOPER INSTALLED PROJECTS: THE SPECIFIED J-BOX SHALL BE SUPPLIED/INSTALLED WITH THE CONTROL PANEL; ALONG WITH THE REQUIRED MYERS HUBS, ALL/SS NIPPLES, SEAL-OFFS, AND WIRING; AS REQUIERD BY CITY UTILITY STANDARDS

ALL WIRES SHALL BE CLEARLY NUMBERED/ LABELED AT EACH CONNECTION/ TERMINATION.

THIS DETAIL CONSTITUTES MINIMUM STANDARDS. DESIGN ENGINEERS SHALL PROVIDE STANDARDS EQUAL TO OR GREATER THAN THESE.

20HP & BELOW: 230VAC-3PH-4W-60HZ ONLY

FOR:	UTILITIES DEPARTMENT	CITY OF NAPLES
DATE: NOV. 2011	<i>DUPLEX PUMP CONTROL PANEL J-BOX BACKPLATE LAYOUT</i>	SHEET: WW-28
DRAWN: DAG		DIR: WASTEWATER
SCALE: N.T.S.	380 RIVERSIDE CIRCLE, NAPLES, FLOIRDA, 34102	DWG. WW-28.DWG

Part No	Qty	TAG LABEL	DESC
AAE-A201L	8	R2,3,4,5,6,7,11,21	Control Relay 115 Vac 8 Pin. with lamp Indicator
AAE-A304L	3	R9,10,12	Control Relay 24 Vac 11 Pin. with lamp Indicator
AAE-A301L	2	R13,23	Control Relay 115 Vac 11 Pin. with lamp Indicator
FS127	1	FL	Ssac Flasher 120 Vac, 90 Fpm
PF083E	5	R2,3,4,5,6,7,11,21,TD1	8 Pin Round Relay Base
PF113A	5	R9,10,12,13,23	11 Pin Round Relay Base
GE1A-C10HAD24	1	TD1	Time Delay Relay, adjustable, 24 Vac
PMPU-E-278 CCT2040	1	PM	Phase Monitor, 8 Pin Plug In Type
480-2079-ND	2	ETM1 & 2	Hour Meter
9080L BA162101	1	NEU	AB Power Block 1 Pole
9080L BA362104	1	PDB1	Power Block, 1IN 4 OUT
LRX-40	1	AL	Alarm Light Red
9001-SKP38A9	2	PL1,2	SQD Pilot Light 120Vac Amber Lens Corrosion Resistant Plastic
9001-SKS43BH1	2	SSI,2	SQD 3 Pos. Selector SW. with Contacts on Both Side, Cam C,
9001-SKP38G9	2	RL1,2	SQD Pilot Light 120Vac Green Lens corrosion resistant plastic.
9001-SKP35R9	1	PL3	SQD Pilot Light 24Vac, Red Lens corrosion resistant plastic.
9070T50D23	1	CCT	SQD 50VA Transformer 120V/24VAC.
HDL36-___	2	PCB1,2	SQD MOTOR Breaker 3 Pole ___Amp, 600 Vac Rating (SIZED FOR SPECIFIED HP)
HDL36-___	2	MCB, ECB	SQD MAIN/GEN Breaker 3 Pole ___Amp, 600Vac Rating (SIZED FOR FULL LOAD RATING)
QDU115	2	CB1,CB3	SQD Breaker 1 Pole 15 Amps 120/240 Vac
QDU120	2	CB2,CB4	SQD Breaker 1 Pole 20 Amps 120/240 Vac
TE02XCS104X	1	LA	Advanced Protection Technologies Lightning Arrestor 230 VAC 3 PH
PAS2091W	1	DR	GFCI Receptacle 20 Amps
3020-4	1	DLPc	Devor Controller
LS-10/0-15PSI	1	PT	WIKA pressure Transducer, 50' Cable
C4100R9W	1	GR	Hubbell 100 Amp Generator Receptacle with angle BBI002W
ATV312-___	2	VFD1,2	VFD ALTIVAR312 ___HP 240VAC BY SQD. 61AR FOR 20HP+ (RATED FOR SPECIFIED HP)
1492-J4	AR	TB1A,1B,6A,6B,4	Terminal Blocks 30 amps
1492-EBJ3	AR	TBEB	Terminal Blocks end barrier.
AB1AB8M35	AR	TBEC	Terminal Blocks end clamp.
9080L BA362101	2	PTB	3 pole Power Terminal Block by SQD.
282-91K-RC	AR	RES	Resistor 94K OHM 2 watts
MG24140	1	CB5	Circuit Breaker 3 poles 1 Amps.
MG24500	1	CB6	Circuit Breaker 1 pole 1 Amp.
MG24502	1	CB7	Circuit Breaker 1 pole 3 Amps.
K2A25U	4	GRDL	Double Ground Lug.
___	1	ENC	Nema 3R, 4or 12 Enclosure 48"Hx36"Wx12"D wall mount w/hold open arms, AL supanel.
___	1	J-BDX	J-Box Nema 3, 4or 4X enclosure 16"Hx16"Wx8"D Hinged,drip edge, & gasketed, AL supanel.
___	6	EYE INSTALL	1 1/5" Min ALUMINUM DR STAINLESS closed nipple PER UTILITY STANDARDS.
___	6	EYE INSTALL	1 1/5" Min MYERS HUBS to both enclosures.
EY150	3	EYE INSTALL	Cast Aluminum Vertical sealing fitting 1 1/2" Min
29125	1	LTB	PORTFOLIO LED LIGHT BAR
TFP41	1	FAN	4" COOLING FAN ASSEMBLY BY HOFFMAN
TEP4	1	EXH	EXHAUST VENT ASSEMBLY BY HOFFMAN
IUHHE	1	TST	FAN THERMOSTAT (DAYTON)
AS REQUIRED	1	ALL DIN RAIL, SCREWS, BOLTS, NUTS, SEALANTS, ADHESIVES, AND MISC. HARDWARE AND SUPPLIES NECESSARY FOR JOB.	

20HP & BELOW: 230VAC-3PH-4W-60HZ ONLY

FOR:	UTILITIES DEPARTMENT	CITY OF NAPLES
DATE: NOV. 2011	DUPLEX PUMP CONTROL PANEL	SHEET: WW-29
DRAWN: DAG	SCHEDULE OF MATERIALS	DIR: WASTEWATER
SCALE: N.T.S.	380 RIVERSIDE CIRCLE, NAPLES, FLORIDA, 34102	DWG. WW-29.DWG

PANEL MANUFACTURER MUST PROVIDE SUBMITTALS FOR ALL MATERIALS AND COMPONENTS TO BE UTILIZED FOR THIS PROJECT BEFORE ANY ASSEMBLY IS INITIATED. THE CITY RESERVES THE RIGHT TO REJECT ANY AND ALL MATERIAL OR COMPONENT NOT MEETING STANDARDS.

AS REQUIRED

CONTROL PANEL NOTES:

Panel designer may make changes in materials and component manufacturer, with City Utilities Engineer's approval only.

Manufacturer shall list any additional equipment necessary to provide a clean, neat, professional, and Code compliant control panel; such as: Lugs, distribution terminals, wire races, etc..

The panel manufacturer shall provide two (2) sets of As-Built drawings in hard copy, and the drawings shall be provided in Dwg 2004 format, on a CD.

A laminated As-Built Ladder Diagram shall be attached to the inside of the outer control panel door.

The Control Panel Enclosure shall be Type 14 gauge minimum Aluminum, NEMA 3R, 4, or 12 as required, gasketed, with: A padlockable hasp, three point latch system, wind restrainer arm(s) that includes all hardware to restrain both the main and dead front door(s) when open; backplate(s), and drip edge that extends the entire length of the top of the enclosure.

The Junction Box Enclosure shall be Type 14 gauge minimum Aluminum, NEMA 3, 4, or 4X as required, gasketed, drip edge with: A padlockable hasp, hinged door. The Junction Box shall have a back plate for component mounting. The Junction Box shall have industrial grade terminal strips of sufficient size and spacing, as required by these specifications. The Junction Box shall be isolated from the Control Panel with the properly sized seal-off fittings (not to exceed 80% capacity), pre-wired, and supplied with epoxy sealant per manufacturer recommendations. The epoxy sealant shall be supplied with but installed on site after all connections are made, confirmed, and accepted by the City. The J-Box shall be mounted to the panel using Myers Hubs at both panels, threaded nipples, and Cast AL Vertical EYE fittings.

The Control Panel Enclosure and the Junction Box Enclosure shall be shipped: Pre-wired, Pre-tested, and complete as one unit, unless this creates a shipping hazard. If the J-Box requires removal for shipping, all wires shall be properly tagged and protected during shipping. The enclosures and components shall be properly packed to prevent damage and loss during shipment to our Naples location.

All Panduit (or equal) wire raceways shall not be filled in excess of 80% capacity. All wires extending outside of a raceway in excess of 5" shall be held in place with plastic wire ties. All wiring shall be neat and un-tangled.

All wires shall be properly labeled at each termination point. All wires and terminals shall be rated according to NEC standards.

20HP & BELOW: 230VAC-3PH-4W-60HZ ONLY

FOR:	UTILITIES DEPARTMENT	CITY OF NAPLES
DATE: NOV. 2011	<i>DUPLEX PUMP CONTROL PANEL</i>	SHEET: WW-30
DRAWN: DAG	<i>CONTROL PANEL NOTES</i>	DIR: WASTEWATER
SCALE: N.T.S.	380 RIVERSIDE CIRCLE, NAPLES, FLOIRDA, 34102	DWG. WW-30.DWG

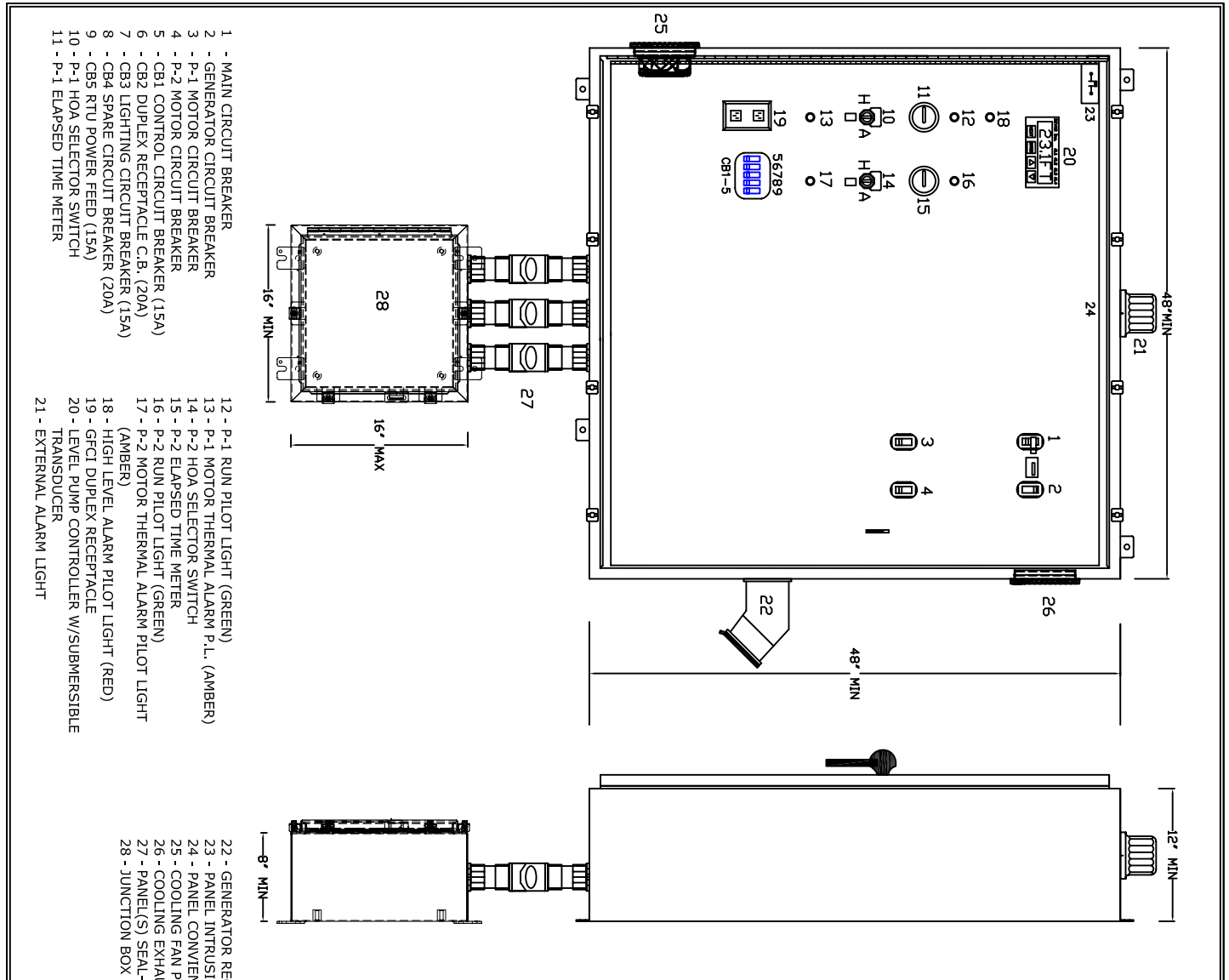
CONTROL PANEL MINIMUM LABELING REQUIREMENTS

LABEL	QUANT	COLOR	DESCRIPTION
MCB	2	BLACK	MAIN CIRCUIT BREAKER
GCB	2	BLACK	GENERATOR CIRCUIT BREAKER
PCB1	2	BLACK	PUMP 1 CIRCUIT BREAKER
PCB2	2	BLACK	PUMP 2 CIRCUIT BREAKER
CB1-4	1	BLACK	CONTROL CB, RECEPTICLE CB, SPARE CB, LIGHTING CB
CB1	1	BLACK	CONTROL CIRCUIT BREAKER
CB2	1	BLACK	RECEPTICLE CIRCUIT BREAKER
CB3	1	BLACK	SPARE CIRCUIT BREAKER
CB4	1	BLACK	LIGHTING CIRCUIT BREAKER
VFD1	1	BLACK	VARIABLE FREQUENCY DRIVE 1
VFD2	1	BLACK	VARIABLE FREQUENCY DRIVE 2
CB5	1	BLACK	PHASE MONITOR CIRCUIT BREAKER
CB6	1	BLACK	CONTROL CIRCUIT TRANSFORMER LINE CIRCUIT BREAKER
CB7	1	BLACK	CONTROL POWER TRANSFORMER LOAD CIRCUIT BREAKER
PM	1	BLACK	PHASE MONITOR
CCT	1	BLACK	CONTROL CIRCUIT TRANSFORMER
R1	1	BLUE	CONTROL CIRCUIT POWER RELAY
R2	1	BLUE	P1 CONTROL ON RELAY
R3	1	BLUE	P2 CONTROL ON RELAY
R4	1	BLUE	VFD1 REMOTE RESET RELAY
R5	1	BLUE	VFD2 REMOTE RESET RELAY
R6	1	BLUE	P1 REMOTE DISABLE RELAY
R7	1	BLUE	P2 REMOTE DISABLE RELAY
R9	1	BLUE	HIGH LEVEL ON/OFF FLOAT RELAY
R10	1	BLUE	LOW LEVEL ALARM OVER-RIDE RELAY
R11	1	BLUE	VFD1 RUN RELAY
R12	1	BLUE	INTRUSION ALARM/CONVIENENCE LIGHT RELAY
R13	1	BLUE	P1 THERMAL ALARM RELAY
R21	1	BLUE	VFD2 RUN RELAY
R23	1	BLUE	P2 THERMAL ALARM RELAY
TD1	1	BLUE	FLOAT OPERATED SECOND PUMP ON TIME DELAY RELAY
TB4	1	BLUE	ALARM LIGHT TERMINAL BLOCK
TB1A	1	BLUE	PANEL CONTROLS TERMINAL BLOCK
TB1B	1	BLUE	J-BOX CONTROLS TERMINAL BLOCK
TB6A	1	BLUE	RTU INTERFACE TERMINAL BLOCK A
TB6B	1	BLUE	RTU INTERFACE TERMINAL BLOCK B
P1 RUN	1	BLUE	P1 RUN PILOT LIGHT
P2 RUN	1	BLUE	P2 RUN PILOT LIGHT
TST	1	BLUE	FAN THERMOSTAT
FLASH	1	RED	FLASHER FOR HIGH LEVEL
P1 THERMAL	1	RED	P1 THERMAL OVERLOAD ALARM PILOT LIGHT
P2 THERMAL	1	RED	P2 THERMAL OVERLOAD ALARM PILOT LIGHT
HIGH LEVEL	1	RED	HIGH LEVEL ALARM PILOT LIGHT

Each switch, circuit breaker, indicating light, push button, relay, etc., shall have an engraved laminated plastic color coded nameplate mounted above or below the device for proper identification; RED for alarm, BLACK for Power, and BLUE for level and controls. Letters shall be a minimum of 1/4" in height. A quality, long lasting adhesive shall be used for mounting the labels.

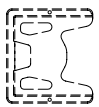
20HP & BELOW: 230VAC-3PH-4W-60HZ ONLY

FOR:	UTILITIES DEPARTMENT	CITY OF NAPLES
DATE: NOV. 2011	<i>DUPLEX PUMP CONTROL PANEL PANEL LABELING DETAILS</i>	SHEET: WW-31
DRAWN: DAG		DIR: WASTEWATER
SCALE: N.T.S.	380 RIVERSIDE CIRCLE, NAPLES, FLORIDA, 34102	DWG. WW-31.DWG



- 1 - MAIN CIRCUIT BREAKER
- 2 - GENERATOR CIRCUIT BREAKER
- 3 - P-1 MOTOR CIRCUIT BREAKER
- 4 - P-2 MOTOR CIRCUIT BREAKER
- 5 - CB1 CONTROL CIRCUIT BREAKER (15A)
- 6 - CB2 DUPLEX RECEPTACLE C.B. (20A)
- 7 - CB3 LIGHTING CIRCUIT BREAKER (15A)
- 8 - CB4 SPARE CIRCUIT BREAKER (15A)
- 9 - CB5 RTU POWER FEED (15A)
- 10 - P-1 HOA SELECTOR SWITCH
- 11 - P-1 ELAPSED TIME METER
- 12 - P-1 RUN PILOT LIGHT (GREEN)
- 13 - P-1 MOTOR THERMAL ALARM P.L. (AMBER)
- 14 - P-2 HOA SELECTOR SWITCH
- 15 - P-2 ELAPSED TIME METER
- 16 - P-2 RUN PILOT LIGHT (GREEN)
- 17 - P-2 MOTOR THERMAL ALARM PILOT LIGHT (AMBER)
- 18 - HIGH LEVEL ALARM PILOT LIGHT (RED)
- 19 - GFCT DUPLEX RECEPTACLE
- 20 - LEVEL PUMP CONTROLLER W/SUBMERSIBLE TRANSDUCER
- 21 - EXTERNAL ALARM LIGHT

- 22 - GENERATOR RECEPTACLE
- 23 - PANEL INTRUSION ALARM SWITCH
- 24 - PANEL CONVENIENCE LIGHT BAR
- 25 - COOLING FAN PACKAGE
- 26 - COOLING EXHAUST PACKAGE
- 27 - PANEL(S) SEAL-OFF ASSEMBLIES
- 28 - JUNCTION BOX



 A DATA POCKET SHALL BE MOUNTED TO THE INSIDE OF THE PANEL ENCLOSURE OUTER DOOR. NO PENETRATIONS THROUGH THE DOOR SHALL BE ALLOWED FOR MOUNTING. THE DATA POCKET SHALL BE HOFFMAN ADP2 OR APPROVED EQUAL.

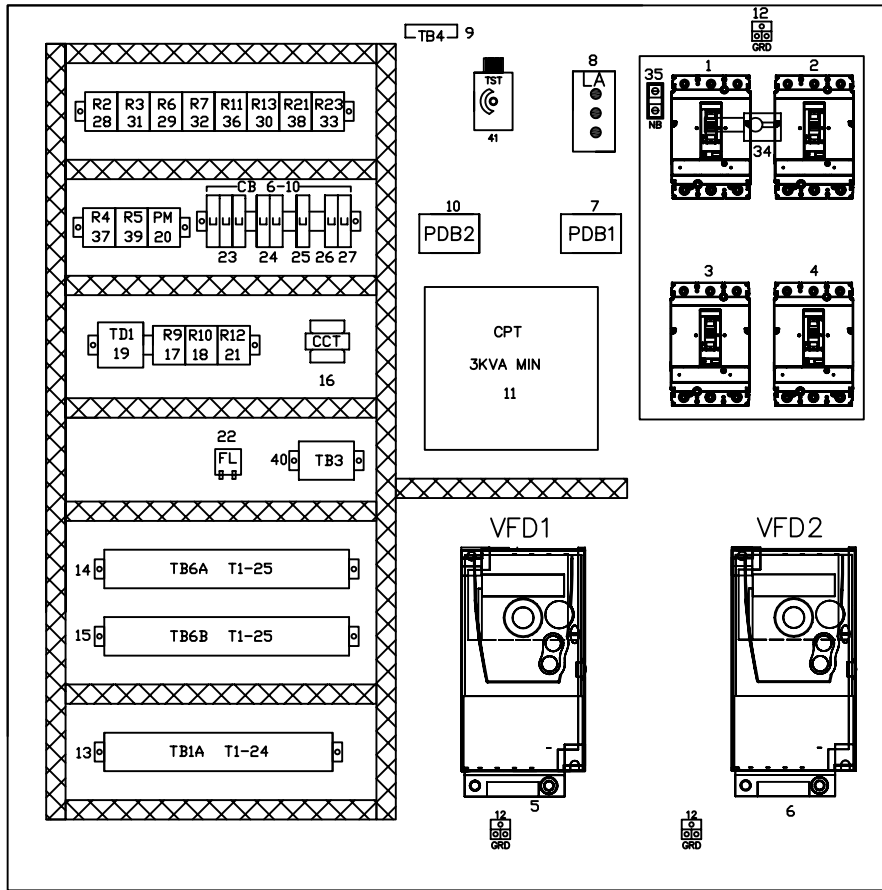
KEY NOTES:

- * OUTER DOOR HAS BEEN REMOVED FOR CLARITY
- * PANEL ENCLOSURE SIZE SHALL BE DETERMINED BY PROPER SPACING & CODE REQUIREMENTS OF ALL SPECIFIED COMPONENTS TO BE INSTALLED.
- * CONFIGURATION MAY VARY, FOR A TYPICAL 10 HP, 460 VAC, 3 PH PANEL, MAINTAINING A 1.5" SEPARATION BETWEEN COMPONENTS & CABLE TRAYS REQUIRES A MINIMUM OF A 48"W X 48"H X 12"D ENCLOSURE.
- * THE SUB-PANEL DOOR SHALL BE EQUIPPED WITH A WIND (HOLD OPEN) RESTRAINT MECHANISM.
- * THE PANEL ENCLOSURE SHALL BE SUPPLIED WITH A CONTINUOUS DRIP EDGE.
- * THE ENCLOSURE SHALL BE ALUMINUM NEMA 3R, 4, OR 12 AS REQUIRED, GASKET SEAL DOORS, A MINIMUM OF A THREE POINT LATCH SYSTEM, LOCKING HASP, AND STAINLESS STEEL HINGES & HARDWARE.
- * SINGLE DOOR ENCLOSURES SHALL REQUIRE ONE (1) EA INTRUSION DOOR SWITCH. PANEL INTRUSION DOOR SWITCH: SWITCH SHALL BE WEATHER RESISTANT, NON-EXPOSED CONTACTS/TERMINALS, IMPACT RESISTANT. SWITCH CAN BE MAGNETIC, MECHANICAL, ETC.
- * ITEM 23 PANEL CONVENIENCE LIGHT BAR: THE SPECIFIED PORTOLIO 27" LED LIGHT STRIP SHALL BE MOUNTED BEHIND THE SUB-DOOR AND UNDER THE TOP OF PANEL.

THIS DETAIL CONSTITUTES MINIMUM STANDARDS. DESIGN ENGINEERS SHALL PROVIDE STANDARDS EQUAL TO OR GREATER THAN THESE.

DUPLEX: 460VAC-3PH-4W-60HZ ONLY

FOR:	UTILITIES DEPARTMENT	CITY OF NAPLES
DATE: NOV. 2011	DUPLEX PUMP CONTROL PANEL	SHEET: WW-32
DRAWN: DAG	TYPICAL DEAD FRONT PANEL	DIR: WASTEWATER
SCALE: N.T.S.	380 RIVERSIDE CIRCLE, NAPLES, FLORIDA, 34102	DWG. WW-32.DWG



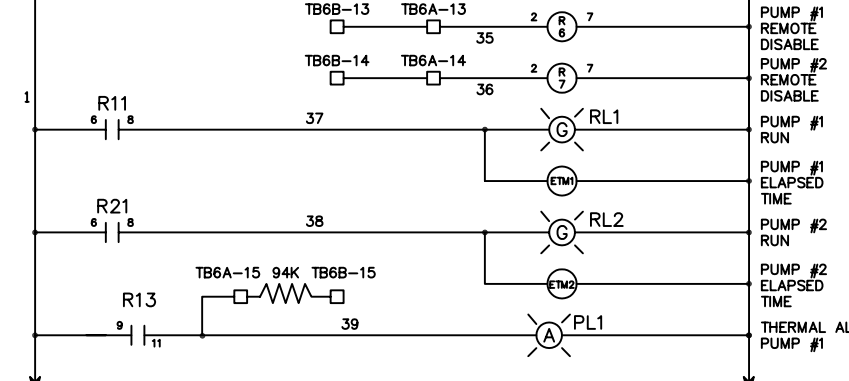
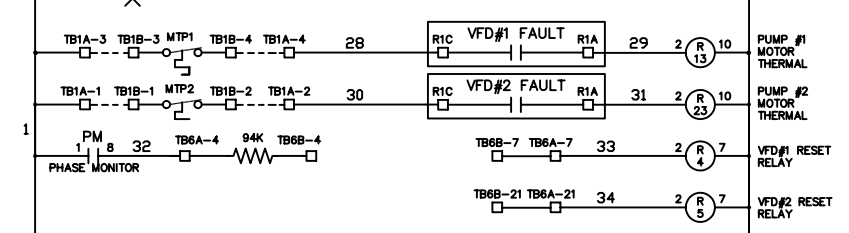
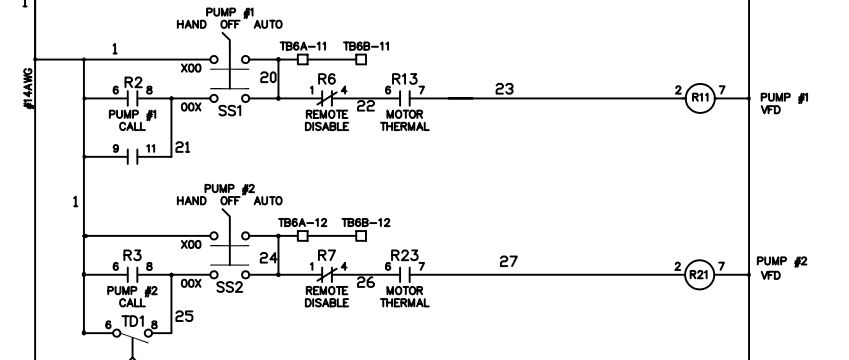
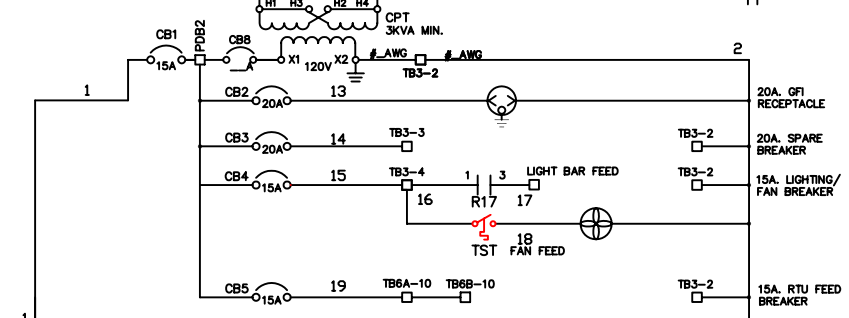
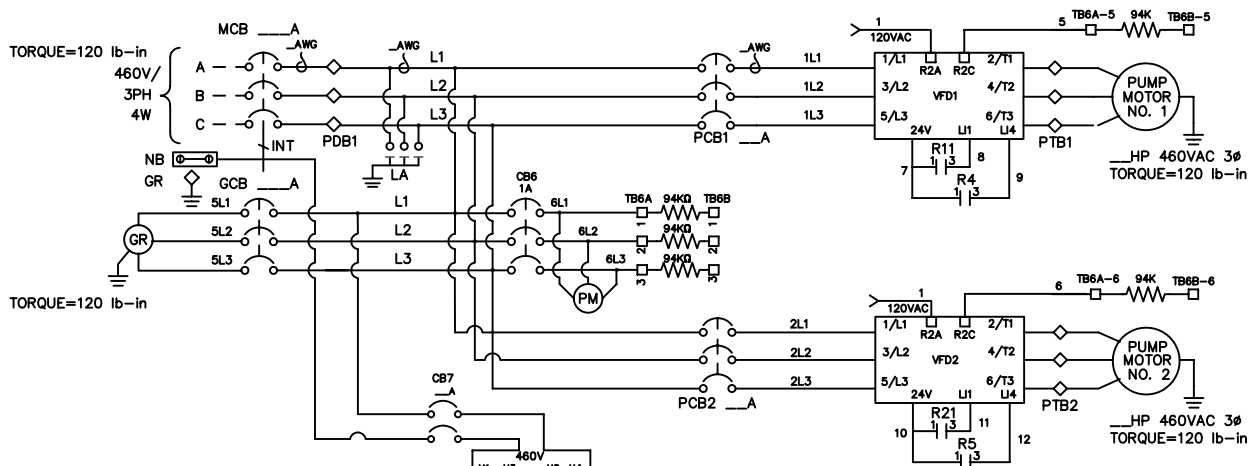
TYPICAL BACKPLATE LAYOUT

- | | | | |
|-----------|---|-----------|---|
| 1 - MCB | - MAIN CIRCUIT BREAKER | 21 - R12 | - PANEL INTRUSION ALARM RELAY(24V,11PIN) |
| 2 - GCB | - GENERATOR CIRCUIT BREAKER | 22 - FL | - FLASHER (110V SOLID STATE) |
| 3 - PCB1 | - P-1 MOTOR CIRCUIT BREAKER | 23 - CB6 | - PHASE MONITOR CIRCUIT BREAKER(MINI 3P-1A) |
| 4 - PCB2 | - P-2 MOTOR CIRCUIT BREAKER | 24 - CB7 | - CPT LINE CIRCUIT BREAKER(MINI DIN 2P-25A) |
| 5 - VFD1 | - VARIABLE FREQUENCY DRIVE #1 | 25 - CB8 | - CPT LOAD CIRCUIT BREAKER(MINI DIN 1P-30A) |
| 6 - VFD2 | - VARIABLE FREQUENCY DRIVE #2 | 26 - CB9 | - CCT LINE CIRCUIT BREAKER(MINI DIN 1P-1A) |
| 7 - PDB1 | - POWER DISTRIBUTION BLOCK (3POLE/MULTITAP) | 27 - CB10 | - CCT LOAD CIRCUIT BREAKER(MINI DIN 1P-3A) |
| 8 - LA | - LIGHTNING ARRESTER | 28 - R2 | - P-1 CALL RELAY (110V, 8PIN) |
| 9 - TB4 | - TERMINAL BLOCK 4: ALARM LIGHT | 29 - R6 | - P-1 DISABLE RELAY (110V, 8PIN) |
| 10 - PDB2 | - POWER DISTRIBUTION BLOCK MULTITAP | 30 - R13 | - P-1 MOTOR THERMAL RELAY (110V, 11PIN) |
| 11 - CPT | - CONTROL POWER TRANSFORMER (460V-120V) | 31 - R3 | - P-2 CALL RELAY (110V, 8PIN) |
| 12 - GRD | - GROUND LUG(S) | 32 - R7 | - P-2 DISABLE RELAY (110V, 8PIN) |
| 13 - TB1A | - TERMINAL BLOCK 1A | 33 - R23 | - P-2 MOTOR THERMAL RELAY (110V, 11PIN) |
| 14 - TB6A | - TERMINAL BLOCK 6A | 34 - BINT | - MAIN/GEN. MECHANICAL BREAKER INTERLOCK |
| 15 - TB6B | - TERMINAL BLOCK 6B | 35 - NB | - NEUTRAL BLOCK |
| 16 - CCT | - CONTROL CIRCUIT TRANSFORMER (120V-24V) | 36 - R11 | - REMOTE VFD RUN RELAY (110V, 8PIN) |
| 17 - R9 | - HIGH LEVEL OFF RELAY (24V, 11PIN) | 37 - R4 | - VFD#1 RESET RELAY (110V, 8 PIN) |
| 18 - R10 | - LOW LEVEL LOCKOUT RELAY (24V, 11PIN) | 38 - R21 | - PUMP#2 RELAY (110V, 8 PIN) |
| 19 - TD1 | - HIGH LEVEL TIME DELAY RELAY (24V, 8PIN) | 39 - R5 | - VFD#2 RESET RELAY (110V, 8 PIN) |
| 20 - PM | - PHASE MONITOR 460V, 8PIN | 40 - TB3 | - TERMINAL BLOCK B3 |
| | | 41 - TST | - FAN THERMOSTAT |

THIS DETAIL CONSTITUTES MINIMUM STANDARDS. DESIGN ENGINEERS SHALL PROVIDE STANDARDS EQUAL TO OR GREATER THAN THESE.

DUPLEX: 460VAC-3PH-4W-60HZ ONLY

FOR:	UTILITIES DEPARTMENT	CITY OF NAPLES
DATE: NOV. 2011	DUPLEX PUMP CONTROL PANEL	SHEET: WW-33
DRAWN: DAG	TYPICAL BACKPLATE LAYOUT	DIR: WASTEWATER
SCALE: N.T.S.	380 RIVERSIDE CIRCLE, NAPLES, FLORIDA, 34102	DWG. WW-33.DWG

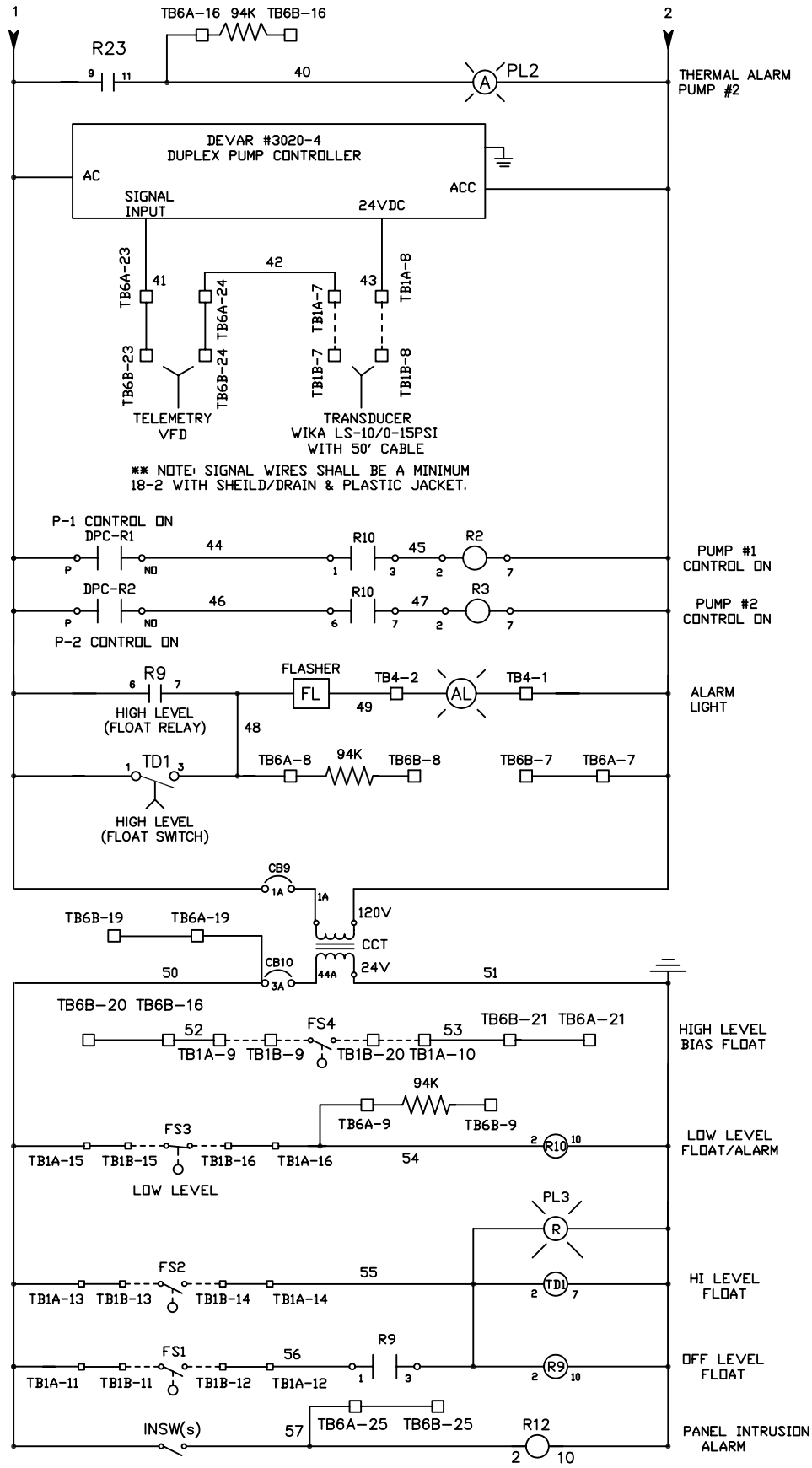


ALL WIRES SHALL BE CLEARLY NUMBERED/ LABELED AT EACH CONNECTION/ TERMINATION.

DUPLEX: 460VAC-3PH-4W-60HZ ONLY

THIS DETAIL CONSTITUTES MINIMUM STANDARDS. DESIGN ENGINEERS SHALL PROVIDE STANDARDS EQUAL TO OR GREATER THAN THESE.

FOR:	UTILITIES DEPARTMENT	CITY OF NAPLES
DATE: NOV. 2011	DUPLEX PUMP CONTROL PANEL	SHEET: WW-34
DRAWN: DAG	POWER/CONTROL WIRING LAYOUT 1	DIR: WASTEWATER
SCALE: N.T.S.	380 RIVERSIDE CIRCLE, NAPLES, FLORIDA, 34102	DWG. WW-34.DWG

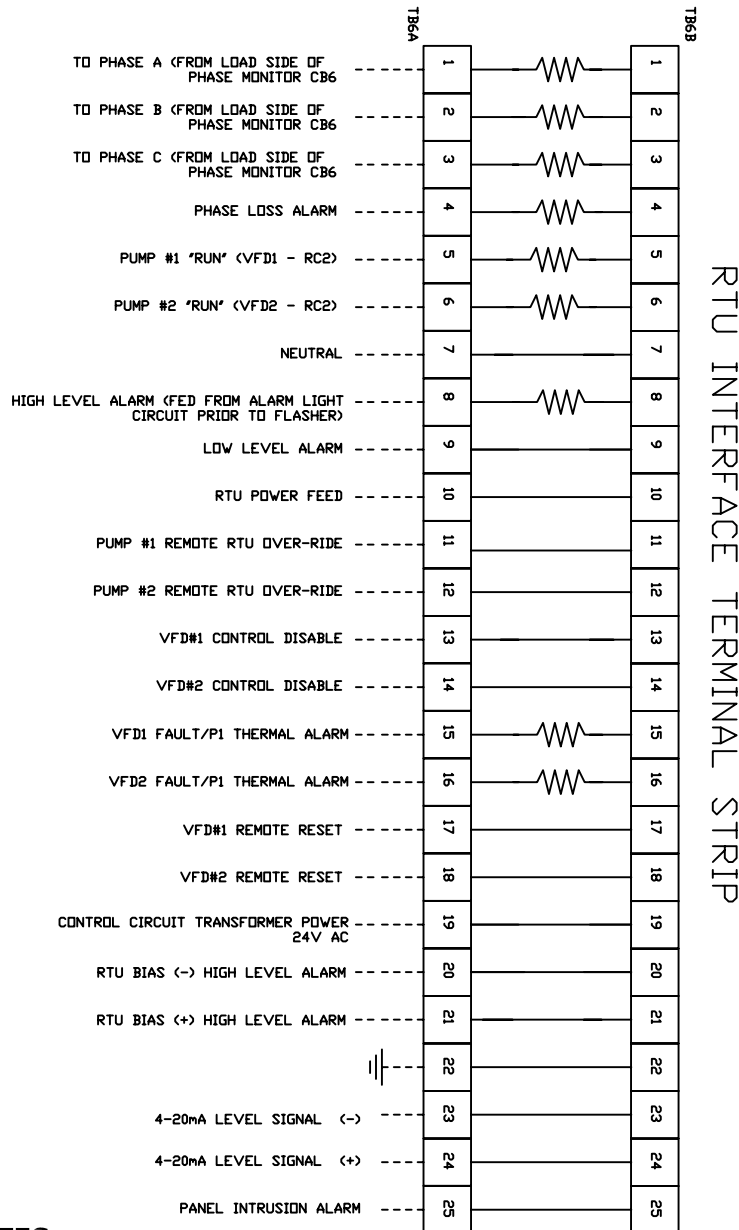


ALL WIRES SHALL BE CLEARLY NUMBERED/ LABELED AT EACH CONNECTION/ TERMINATION.

THIS DETAIL CONSTITUTES MINIMUM STANDARDS. DESIGN ENGINEERS SHALL PROVIDE STANDARDS EQUAL TO OR GREATER THAN THESE.

DUPLEX: 460VAC-3PH-4W-60HZ ONLY

FOR:	UTILITIES DEPARTMENT	CITY OF NAPLES
DATE: NOV. 2011	DUPLEX PUMP CONTROL PANEL	SHEET: WW-35
DRAWN: DAG	POWER/CONTROL WIRING LAYOUT2	DIR: WASTEWATER
SCALE: N.T.S.	380 RIVERSIDE CIRCLE, NAPLES, FLORIDA, 34102	DWG. WW-35.DWG



ALL WIRES SHALL BE CLEARLY NUMBERED/
LABELED AT EACH CONNECTION/ TERMINATION.

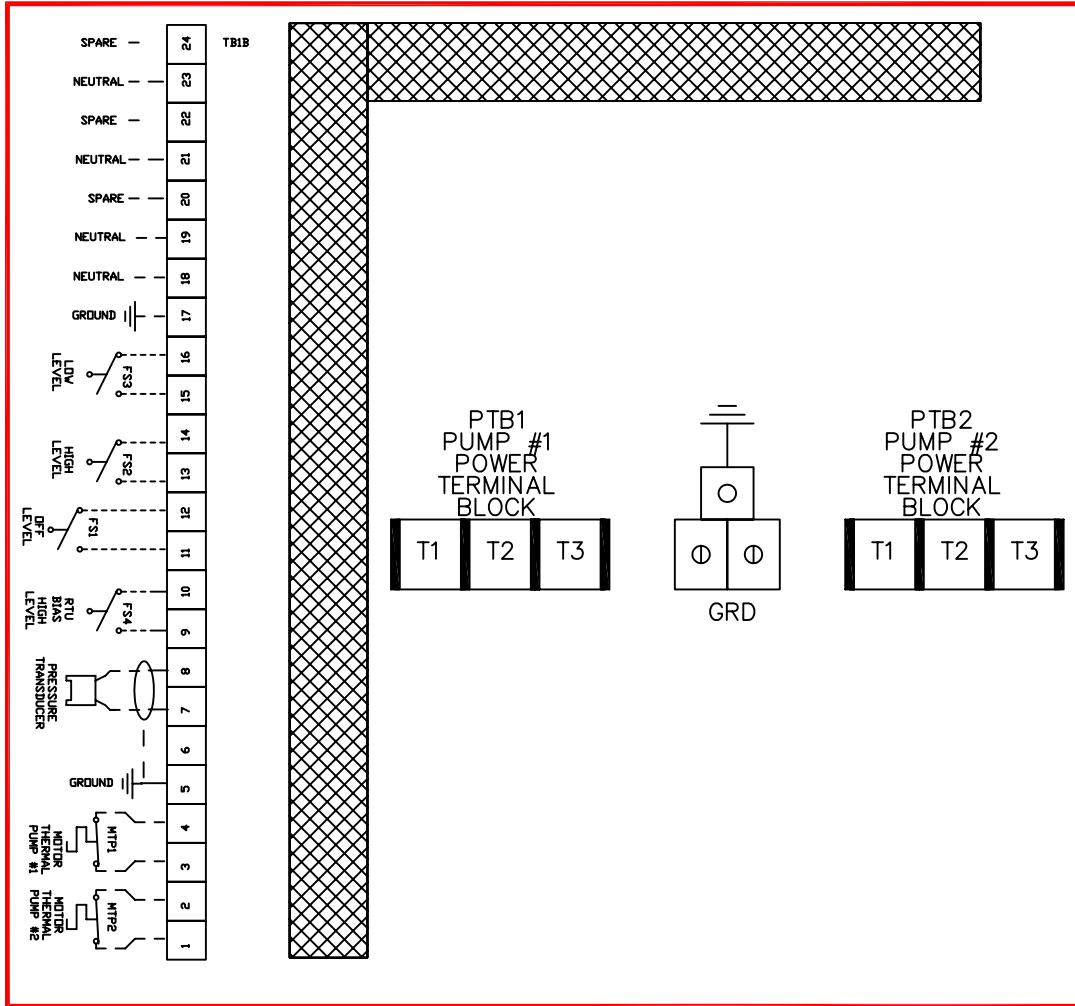
NOTES:

- 5A. TB6A & TB6B SHALL BE INSTALLED IN THE CONTROL PANEL AS DESCRIBED IN DRAWING "WW-33", WITH UN-OBSTRUCTED ACCESS AND A MINIMUM OF 1.5" SEPARATION FOR THE INSTALLATION OF THE RESISTORS AND JUMPER WIRES. THE 1.5" SEPARATION SHALL BE UNIFORM BETWEEN COMPONENTS AND WIREWAYS TO ALLOW ACCESS.
- 5B. ALL REQUIRED RESISTORS SHALL BE RATED AT 94K OHM @ 2 WATTS.
- 5C. TERMINAL BLOCKS TB6A & TB6B SHALL BE SQD 9080 SERIES OR EQUAL

**THIS DETAIL CONSTITUTES
MINIMUM STANDARDS. DESIGN
ENGINEERS SHALL PROVIDE
STANDARDS EQUAL TO OR
GREATER THAN THESE.**

DUPLEX: 460VAC-3PH-4W-60HZ ONLY

FOR:	UTILITIES DEPARTMENT	CITY OF NAPLES
DATE: NOV. 2011	<i>DUPLEX PUMP CONTROL PANEL</i>	SHEET: WW-36
DRAWN: DAG	<i>RTU INTERFACE TERMINAL DETAIL</i>	DIR: WASTEWATER
SCALE: N.T.S.	380 RIVERSIDE CIRCLE, NAPLES, FLOIRDA, 34102	DWG. WW-36.DWG



JUNCTION BOX BACKPLATE LAYOUT

REQUIRED TERMINATIONS IN SPECIFIED JUNCTION BOX

- 6A. LAYOUT MAY VARY SLIGHTLY AS REQUIRED
- 6B. BACKPLATE SHALL BE ALUMINUM.
- 6C. THE J-BOX SHALL BE ALUMINUM, 3, 4, OR 4X AS REQUIRED, WITH EXTERNAL MOUNTING BRACKETS, HINGED DOOR, GASKET SEAL, DRIP EDGE, & LOCKABLE.
- 6D. THE J-BOX SHALL BE SIZED TO PROPERLY ACCOMODATE ALL CONDUITS, FITTINGS, TERMINAL BLOCKS, AND SPECIFIED WIRING WITH ADEQUATE CLEARANCES AND SPACING. MINIMUM OR 16"X16"X 8"D. JUNCTION BOX CAN NOT EXCEED 16" HIGH. IF SPACING REQUIREMENTS REQUIRE MORE AREA, THE J-BOX SHALL BE MADE WIDER INSTEAD OF HIGHER; OR USE TWO MATCHING J-BOXES PER SPACE FILL REQUIREMENTS.
- 6E. THE TERMINAL BLOCKS, POWER BLOCKS, LUGS, AND WIRE RACE SHALL BE MOUNTED AS SHOWN IN THE ABOVE DETAIL. TB1B SHALL BE SQ D SERIES 9080, 30AMP RATED OR EQUAL. POWER BLOCKS AND LUGS SHALL BE SIZED ONE SIZE LARGER THAN REQUIRED LOADS.
- 6F. FOR CITY IN-HOUSE INSTALLATIONS: THE SPECIFIED J-BOX SHALL BE SUPPLIED WITH THE CONTROL PANEL; ALONG WITH THE REQUIRED MYERS HUBS, AL/SS NIPPLES, SEAL-OFFS AS REQUIERD BY CITY UTILITY STANDARDS; BUT WILL BE FIELD INSTALLED AND WIRED BY CITY PERSONNEL.
- 6G. FOR CONTRACTOR/DEVELOPER INSTALLED PROJECTS: THE SPECIFIED J-BOX SHALL BE SUPPLIED/INSTALLED WITH THE CONTROL PANEL; ALONG WITH THE REQUIRED MYERS HUBS, ALL/SS NIPPLES, SEAL-OFFS, AND WIRING; AS REQUIERD BY CITY UTILITY STANDARDS

ALL WIRES SHALL BE CLEARLY NUMBERED/LABELLED AT EACH CONNECTION/TERMINATION.

THIS DETAIL CONSTITUTES MINIMUM STANDARDS. DESIGN ENGINEERS SHALL PROVIDE STANDARDS EQUAL TO OR GREATER THAN THESE.

DUPLEX: 460VAC-3PH-4W-60HZ ONLY

FOR:	UTILITIES DEPARTMENT	CITY OF NAPLES
DATE: NOV. 2011	<i>DUPLEX PUMP CONTROL PANEL</i>	SHEET: WW-37
DRAWN: DAG	<i>J-BOX BACKPLATE LAYOUT</i>	DIR: WASTEWATER
SCALE: N.T.S.	380 RIVERSIDE CIRCLE, NAPLES, FLOIRDA, 34102	DWG. WW-37.DWG

Part No	Qty	TAG LABEL	DESC
AAE-AE201L	8	RE,3,4,5,6,7,11,21	Control Relay 115 Vac 8 Pin. with lamp Indicator
AAE-A304L	3	R3,10,12	Control Relay 24 Vac 11 Pin. with lamp Indicator
AAE-A301L	2	R13,23	Control Relay 115 Vac 11 Pin. with lamp Indicator
FS127	1	FL	Szac Flasher 120 Vac, 90 Fpm
PF083E	9	RE,3,4,5,6,7,11,21,TD1	8 Pin Round Relay Base
PF113A	5	R9,10,12,13,23	11 Pin Round Relay Base
GE1A-C10H4D24	1	TD1	Time Delay Relay, adjustable, 24 Vac
SLA-440ALE	1	PM	Phase Monitor, 8 Pin Plug in Type (460VAC, 3 POLE) DIVERSIFIED
480-2079-ND	2	ETM1 & 2	Hour Meter
9080L BA162101	1	NEU	AB Power Block 1 Pole
9080L BA362104	1	PUB1	Power Block, 1IN 4 DU1
LRX-40	1	AL	Alarm Light Red
9001-SKP38A9	2	PL1,2	SOD Pilot Light120Vac Amber Lens Corrosion Resistant Plastic
9001-SKS43BH1	2	SS1,2	SOD 3 Pos. Selector SW. with Contacts on Both Side, Cam C,
9001-SKP38G9	2	RL1,2	SOD Pilot Light 120Vac Green Lens corrosion resistant plastic.
9001-SKP35R9	1	PL3	SOD Pilot Light 24Vac, Red Lens corrosion resistant plastic.
9070T50D23	1	CCT	SOD 50VA Transformer 120V/24VAC.
9070T3000D1	1	CPT	SOD Control Power Transformer 3kva min 460V/120VAC.
HDL36----	2	PCB1,2	SOD MOTOR Breaker 3 Pole ---Amp, 600 Vac Rating (SIZED FOR SPECIFIED HP)
HDL36----	2	MGB, ECB	SOD MAIN/GEN Breaker 3 Pole ---Amp, 600Vac Rating (SIZED FOR FULL LOAD RATING)
QDUJ15	2	CB1,CB3	SOD Breaker 1 Pole 15 Amps 120/240 Vac
QDUJ20	2	CB2,CB4	SOD Breaker 1 Pole 20 Amps 120/240 Vac
TE04XCS104X	1	LA	ADVANCED PROTECTION TECHNOLOGIES Lightning Arrestor 460Vac 3 PH
PAS2091W	1	DR	Receptacle 20 Amps
1UHH2	1	TST	FAN THERMOSTAT (DAYTON)
3020-4	1	D LPC	Devor Controller
LS-10/0-15PST	1	PT	Wika Pressure Transducer, 50' Cable
C4100R9W	1	GR	Hubbrel 100 Amp Generator Receptacle with angle BB1002V
ATV312-----	2	VFD1,2	VFD ALTIVAR312 __HP 460VAC BY SOD (RATED FOR SPECIFIED HP)
1492-J4	AR	TBA,1B,6A,6B,4	Terminal Blocks 30 amps
1492-EBJ3	AR	TBE3	Terminal Blocks end barrier.
AB1AB8M35	AR	TBEC	Terminal Blocks end clamp.
9080L BA362101	1	PTB1	3 pole Multi-Tap Power Terminal Block by SOD.
9080L BA-----	1	PTB2	1 pole Multi-Tap Power Terminal Block by SOD.
282-91K-RC	10	RES	Resistor 94K OHM 2 watts
MG24140	1	CB6	Phase Monitor Circuit Breaker 3 poles 1 Amps.
MG24526	1	CB7	CPT Line Circuit Breaker 2 poles 25 Amps.
MG17427	1	CB8	CPT Load Circuit Breaker 1 pole 30 Amps.
MG24500	1	CB9	CCT Line Circuit Breaker 1 pole 1 Amp.
MG24502	1	CB10	CCT Load Circuit Breaker 1 pole 3 Amps.
K2A25U	4	GRDL	Double Ground Lug.
-----	1	ENC	Nema 3R,4, DR 12 enclosure 48"Hx38"Wx12"D MIN wall mount w/hold open arms, AL subpanel
-----	1	J-BDX	J-Box Nema 3,4, DR 4X enclosure 16"Hx16"Wx8"D Hinged & gasketed, AL subpanel.
-----	6	EYE INSTALL	1 1/5" MIN ALUMINUM DR /SS close nipples PER UTILITY STANDARDS.
-----	6	EYE INSTALL	1.5" MIN MYERS HUBS TO BOTH ENCLDSURES .
EY150	3	EYE INSTALL	CAST ALUMINUM Vertical sealing fitting 1 1/2" MIN
29125	1	LTB	PORTULID LED LIGHT BAR
TFP41	1	FAN	COOLING FAN ASSM. (HDFEMAN)
TEP4	1	EKH	EXHAUST ASSEM. (HDFEMAN)
AS REQUIRED	1	ALL DIN RAIL, SCREWS, BOLTS, NUTS, SEALANTS, ADHESIVES, AND MISC. HARDWARE AND SUPPLIES NECESSARY FOR JOB.	

PANEL MANUFACTURER MUST PROVIDE SUBMITTALS FOR ALL MATERIALS AND COMPONENTS TO BE UTILIZED FOR THIS PROJECT BEFORE ANY ASSEMBLY IS INITIATED. THE CITY RESERVES THE RIGHT TO REJECT ANY AND ALL MATERIAL OR COMPONENT NOT MEETING STANDARDS.

DUPLEX: 460VAC-3PH-4W-60HZ ONLY

FOR:	UTILITIES DEPARTMENT	CITY OF NAPLES
DATE: NOV. 2011	DUPLEX PUMP CONTROL PANEL	SHEET: WW-38
DRAWN: DAG	SCHEDULE OF MATERIALS	DIR: WASTEWATER
SCALE: N.T.S.	380 RIVERSIDE CIRCLE, NAPLES, FLORIDA, 34102	DWG. WW-38.DWG

CONTROL PANEL NOTES:

Panel designer may make changes in materials and component manufacturer, with City Utilities Engineer's approval only.

Manufacturer shall list any additional equipment necessary to provide a clean, neat, professional, and Code compliant control panel; such as: Lugs, distribution terminals, wire races, etc..

The panel manufacturer shall provide two (2) sets of As-Built drawings in hard copy, and the drawings shall be provided in Dwg 2004 format, on a CD.

A laminated As-Built Ladder Diagram shall be attached to the inside of the outer control panel door.

The Control Panel Enclosure shall be Type 14 gauge minimum Aluminum, NEMA 3R, 4, or 12 as required, gasketed, with: A padlockable hasp, three point latch system (one each per door if more than one door is required), wind restrainer arm(s) that includes all hardware to restrain both the main and dead front door(s) when open; backplate(s), and drip edge that extends the entire length of the top of the enclosure.

The Junction Box Enclosure shall be Type 14 gauge minimum Aluminum, NEMA 3, 4, or 4X as required, gasketed, with: A padlockable hasp, hinged door. The Junction Box shall have an Aluminum back plate for component mounting. The Junction Box shall have industrial grade terminal strips of sufficient size and spacing, as required by these specifications. The Junction Box shall be isolated from the Control Panel with the properly sized seal-off fittings (not to exceed 80% capacity), pre-wired, and supplied with epoxy sealant per manufacturer recommendations. The epoxy sealant shall be supplied with but installed on site after all connections are made, confirmed, and accepted by the City. The J-Box shall be mounted to the panel using Myers Hubs at both panels, Al or SS threaded nipples, and Cast AL Vertical EYE fittings.

The Control Panel Enclosure and the Junction Box Enclosure shall be shipped: Pre-wired, Pre-tested, and complete as one unit, unless this creates a shipping hazard. If the J-Box requires removal for shipping, all wires shall be properly tagged and protected during shipping. The enclosures and components shall be properly packed to prevent damage and loss during shipment to our Naples location.

All Panduit (or equal) wire raceways shall not be filled in excess of 80% capacity. All wires extending outside of a raceway in excess of 5" shall be held in place with plastic wire ties. All wiring shall be neat and un-tangled.

All wires shall be properly labeled at each termination point. All wires and terminals shall be rated according to NEC standards.

DUPLEX: 460VAC-3PH-4W-60HZ ONLY

FOR:	UTILITIES DEPARTMENT	CITY OF NAPLES
DATE: NOV. 2011	<i>DUPLEX PUMP CONTROL PANEL</i>	SHEET: WW-39
DRAWN: DAG	<i>CONTROL PANEL NOTES</i>	DIR: WASTEWATER
SCALE: N.T.S.	380 RIVERSIDE CIRCLE, NAPLES, FLOIRDA, 34102	DWG. WW-39.DWG

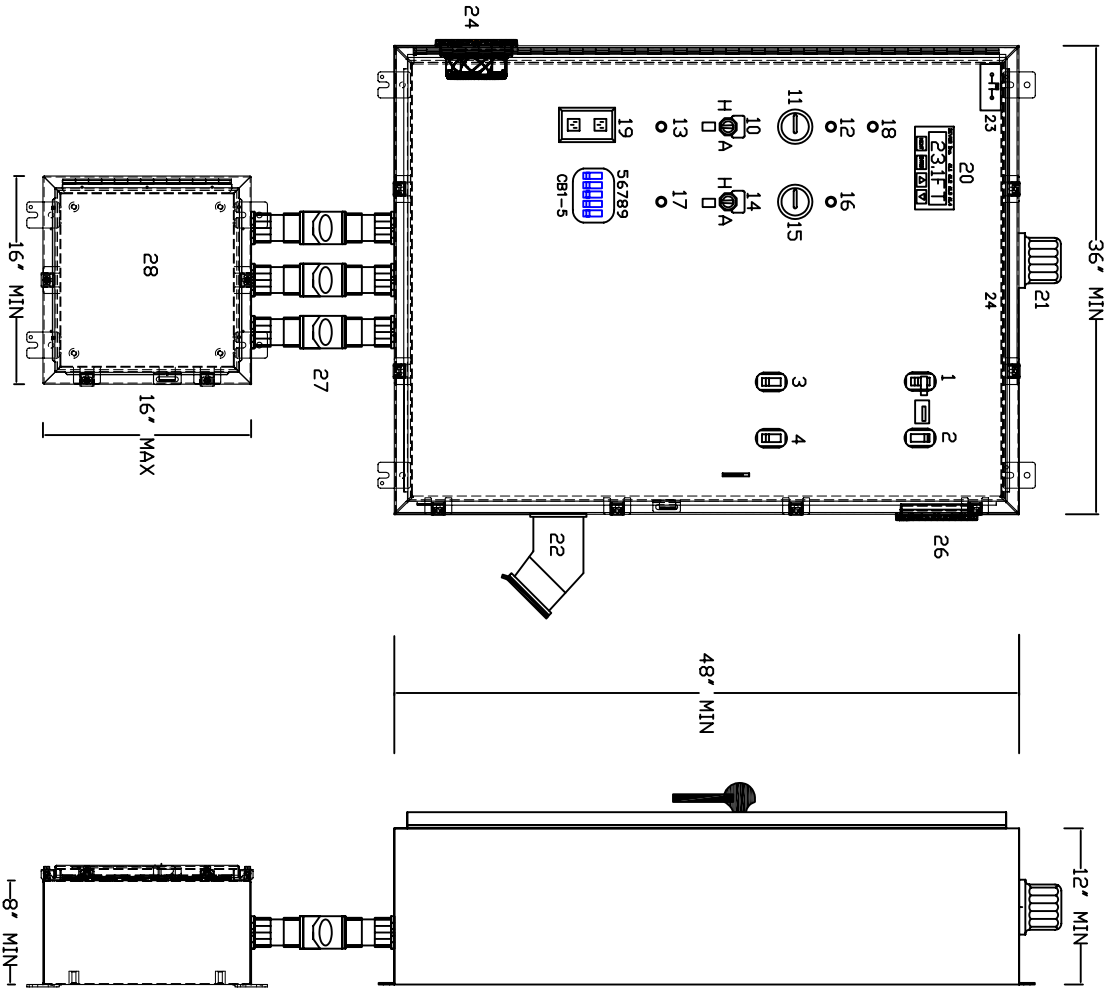
CONTROL PANEL MINIMUM LABELING REQUIREMENTS

LABEL	QUANT	COLOR	DESCRIPTION
MCB	2	BLACK	MAIN CIRCUIT BREAKER
GCB	2	BLACK	GENERATOR CIRCUIT BREAKER
PCB1	2	BLACK	PUMP 1 CIRCUIT BREAKER
PCB2	2	BLACK	PUMP 2 CIRCUIT BREAKER
CB1	1	BLACK	CONTROL CIRCUIT BREAKER
CB2	1	BLACK	RECEPTICLE CIRCUIT BREAKER
CB3	1	BLACK	SPARE CIRCUIT BREAKER
CB4	1	BLACK	LIGHTING CIRCUIT BREAKER
VFD1	1	BLACK	VARIABLE FREQUENCY DRIVE 1
VFD2	1	BLACK	VARIABLE FREQUENCY DRIVE 2
CB5	1	BLACK	PHASE MONITOR CIRCUIT BREAKER
CB6	1	BLACK	CONTROL CIRCUIT TRANSFORMER LINE CIRCUIT BREAKER
CB7	1	BLACK	CONTROL CIRCUIT TRANSFORMER LOAD CIRCUIT BREAKER
CB8	1	BLACK	CONTROL POWER TRANSFORMER LINE CIRCUIT BREAKER
CB9	1	BLACK	CONTROL POWER TRANSFORMER LOAD CIRCUIT BREAKER
PM	1	BLACK	PHASE MONITOR
CCT	1	BLACK	CONTROL CIRCUIT TRANSFORMER
CPT	1	BLACK	CONTROL POWER TRANSFORMER
R2	1	BLUE	P1 CONTROL ON RELAY
R3	1	BLUE	P2 CONTROL ON RELAY
R4	1	BLUE	VFD1 REMOTE RESET RELAY
R5	1	BLUE	VFD2 REMOTE RESET RELAY
R6	1	BLUE	P1 REMOTE DISABLE RELAY
R7	1	BLUE	P2 REMOTE DISABLE RELAY
R9	1	BLUE	HIGH LEVEL ON/OFF FLOAT RELAY
R10	1	BLUE	LOW LEVEL ALARM OVER-RIDE RELAY
R11	1	BLUE	VFD1 RUN RELAY
R12	1	BLUE	INTRUSION ALARM/CONVIENENCE LIGHT RELAY
R13	1	BLUE	P1 THERMAL ALARM RELAY
R21	1	BLUE	VFD2 RUN RELAY
R23	1	BLUE	P2 THERMAL ALARM RELAY
TD1	1	BLUE	FLOAT OPERATED SECOND PUMP ON TIME DELAY RELAY
TB4	1	BLUE	ALARM LIGHT TERMINAL BLOCK
TB1A	1	BLUE	PANEL CONTROLS TERMINAL BLOCK
TB1B	1	BLUE	J-BOX CONTROLS TERMINAL BLOCK
TB6A	1	BLUE	RTU INTERFACE TERMINAL BLOCK A
TB6B	1	BLUE	RTU INTERFACE TERMINAL BLOCK B
P1 RUN	1	BLUE	P1 RUN PILOT LIGHT
P2 RUN	1	BLUE	P2 RUN PILOT LIGHT
TST	1	BLUE	FAN THERMOSTAT
FLASH	1	RED	FLASHER FOR HIGH LEVEL
P1 THERMAL	1	RED	P1 THERMAL OVERLOAD ALARM PILOT LIGHT
P2 THERMAL	1	RED	P2 THERMAL OVERLOAD ALARM PILOT LIGHT
HIGH LEVEL	1	RED	HIGH LEVEL ALARM PILOT LIGHT

Each switch, circuit breaker, indicating light, push button, relay, etc., shall have an engraved laminated plastic color coded nameplate mounted above or below the device for proper identification; RED for alarm, BLACK for Power, and BLUE for level and controls. Letters shall be a minimum of 1/4" in height. A quality, long lasting adhesive shall be used for mounting the labels.

DUPLEX: 460VAC-3PH-4W-60HZ ONLY

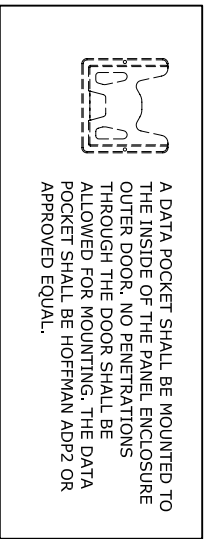
FOR:	UTILITIES DEPARTMENT	CITY OF NAPLES
DATE: NOV. 2011	<i>DUPLEX PUMP CONTROL PANEL PANEL LABELING DETAILS</i>	SHEET: WW-40
DRAWN: DAG		DIR: WASTEWATER
SCALE: N.T.S.	380 RIVERSIDE CIRCLE, NAPLES, FLORIDA, 34102	DWG. WW-40.DWG



- 1 - MAIN CIRCUIT BREAKER
- 2 - GENERATOR CIRCUIT BREAKER
- 3 - P-1 MOTOR CIRCUIT BREAKER
- 4 - P-2 MOTOR CIRCUIT BREAKER
- 5 - CB1 CONTROL CIRCUIT BREAKER (15A)
- 6 - CB2 DUPLEX RECEPACLE C.B. (20A)
- 7 - CB3 LIGHTING CIRCUIT BREAKER (15A)
- 8 - CB4 SPARE CIRCUIT BREAKER (20A)
- 9 - P-1 HOA SELECTOR SWITCH
- 10 - P-1 HOA SELECTOR SWITCH
- 11 - P-1 ELAPSED TIME METER
- 12 - P-1 RUN PILOT LIGHT (GREEN)
- 13 - P-1 MOTOR THERMAL ALARM P.L. (AMBER)
- 14 - P-2 HOA SELECTOR SWITCH
- 15 - P-2 ELAPSED TIME METER
- 16 - P-2 RUN PILOT LIGHT (GREEN)
- 17 - P-2 MOTOR THERMAL ALARM PILOT LIGHT (AMBER)
- 18 - HIGH LEVEL ALARM PILOT LIGHT (RED)
- 19 - GFCL DUPLEX RECEPACLE
- 20 - LEVEL PUMP CONTROLLER W/SUBMERSIBLE TRANSDUCER
- 21 - EXTERNAL ALARM LIGHT
- 22 - GENERATOR RECEPACLE
- 23 - PANEL INTRUSION ALARM SWITCH
- 24 - PANEL CONVENIENCE LIGHT BAR
- 25 - COOLING FAN PACKAGE
- 26 - COOLING EXHAUST PACKAGE
- 27 - PANEL(S) SEAL-OFF ASSEMBLIES
- 28 - JUNCTION BOX

KEY NOTES:

- * OUTER DOOR HAS BEEN REMOVED FOR CLARITY
- * PANEL ENCLOSURE SIZE SHALL BE DETERMINED BY PROPER SPACING & CODE REQUIREMENTS OF ALL SPECIFIED COMPONENTS TO BE INSTALLED.
- * CONFIGURATION MAY VARY, FOR A TYPICAL 10 HP, 460 VAC, 3 PH PANEL, MAINTAINING A 1.5" SEPARATION BETWEEN COMPONENTS & CABLE TRAYS REQUIRES A MINIMUM OF A 36"W X 48"H X 12"D ENCLOSURE.
- * THE SUB-PANEL DOOR SHALL BE EQUIPPED WITH A WIND (HOLD OPEN) RESTRAINT MECHANISM.
- * THE PANEL ENCLOSURE SHALL BE SUPPLIED WITH A CONTINUOUS DRIP EDGE.
- * THE ENCLOSURE SHALL BE ALUMINUM NEMA 3R, 4, OR 12 AS REQUIRED, GASKET SEAL DOORS, A MINIMUM OF A THREE POINT LATCH SYSTEM, LOCKING HASP, AND STAINLESS STEEL HINGES & HARDWARE.
- * SINGLE DOOR ENCLOSURES SHALL REQUIRE ONE (1) EA INTRUSION DOOR SWITCH. PANEL INTRUSION DOOR SWITCH: SWITCH SHALL BE CLEANLY AND SECURELY MOUNTED. SWITCH SHALL BE WEATHER RESISTANT, NON-EXPOSED CONTACTS/TERMINALS, IMPACT RESISTANT. SWITCH CAN BE MAGNETIC, MECHANICAL, ETC.
- * ITEM 23 PANEL CONVENIENCE LIGHT BAR: THE SPECIFIED PORTFOLIO 27" LED LIGHT STRIP SHALL BE MOUNTED BEHIND THE SUB-DOOR AND UNDER THE TOP OF PANEL.

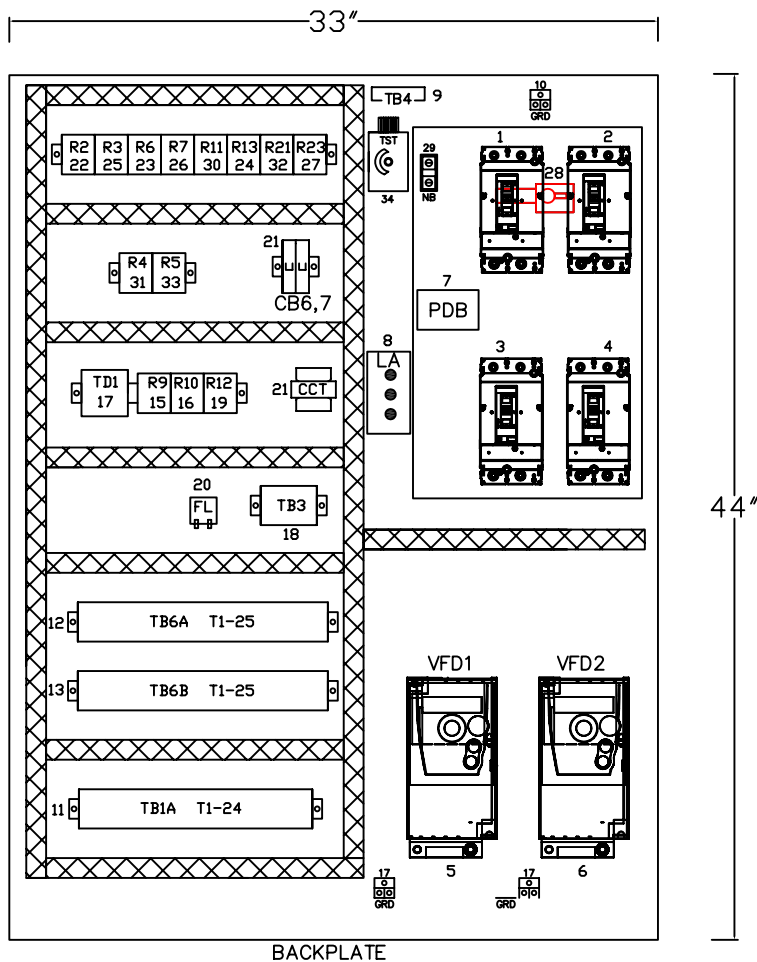


A DATA POCKET SHALL BE MOUNTED TO THE INSIDE OF THE PANEL ENCLOSURE OUTER DOOR. NO PENETRATIONS THROUGH THE DOOR SHALL BE ALLOWED FOR MOUNTING. THE DATA POCKET SHALL BE HOFFMAN ADP2 OR APPROVED EQUAL.

THIS DETAIL CONSTITUTES MINIMUM STANDARDS. DESIGN ENGINEERS SHALL PROVIDE STANDARDS EQUAL TO OR GREATER THAN THESE.

DUPLEX 1 - 10HP: 220VAC-1PH-3W-60HZ

FOR:	UTILITIES DEPARTMENT	CITY OF NAPLES
DATE: NOV. 2011	DUPLEX PUMP CONTROL PANEL	SHEET: WW-41
DRAWN: DAG	TYPICAL DEAD FRONT PANEL	DIR: WASTEWATER
SCALE: N.T.S.	380 RIVERSIDE CIRCLE, NAPLES, FLORIDA, 34102	DWG. WW-41.DWG



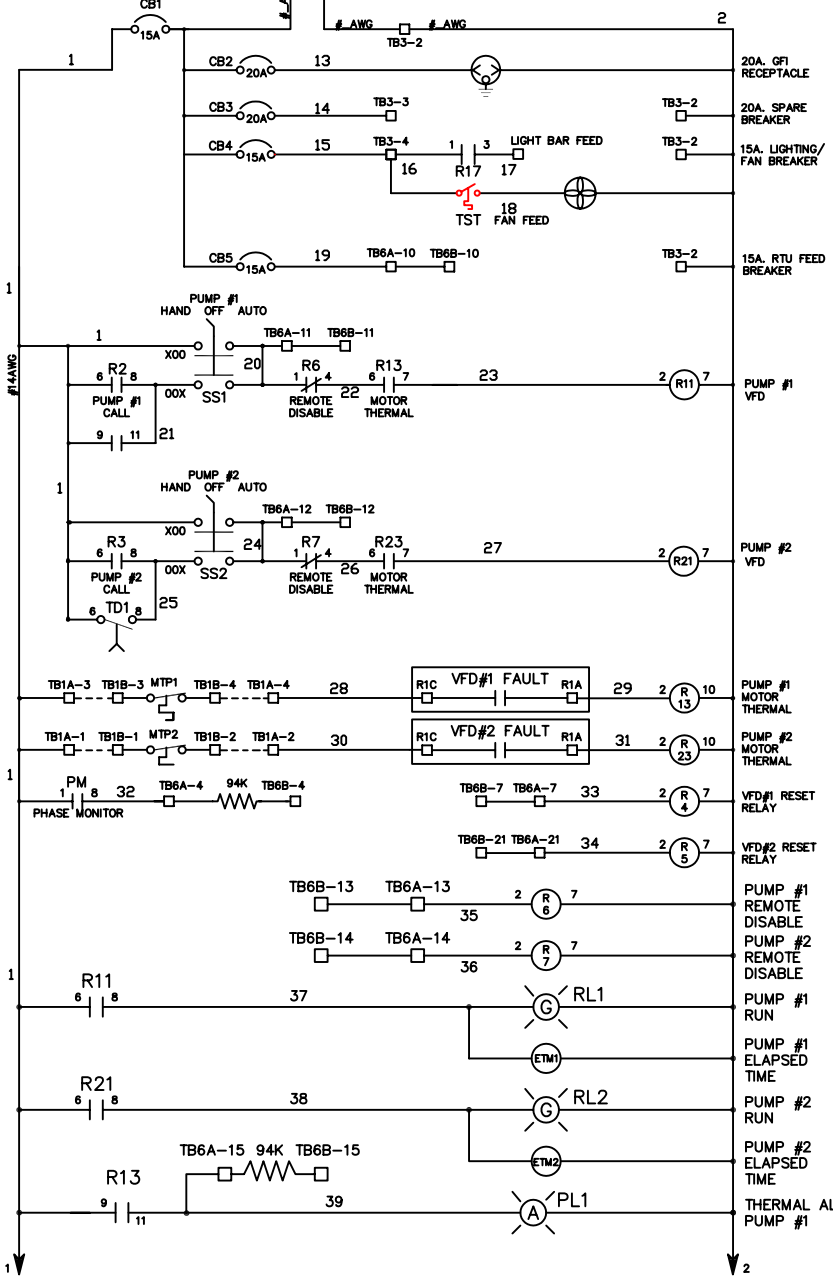
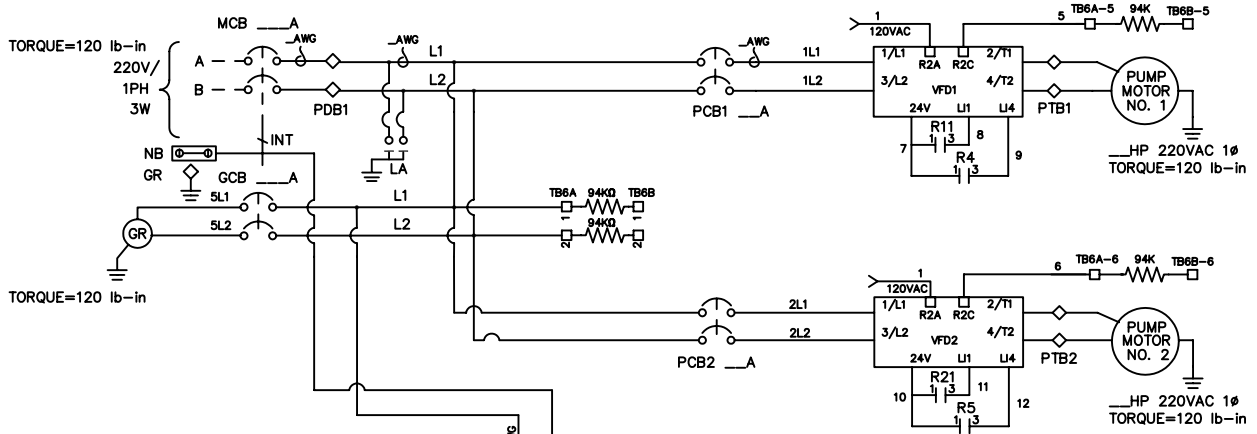
BACKPLATE

- | | | | |
|-----------|---|-----------|--|
| 1 - MCB | - MAIN CIRCUIT BREAKER | 21 - CB | - CIRCUIT BREAKERS |
| 2 - GCB | - GENERATOR CIRCUIT BREAKER | - CB6 | - CCT PRIMARY CIRCUIT BREAKER (1P-1A) |
| 3 - PCB1 | - P-1 MOTOR CIRCUIT BREAKER | - CB7 | - CCT SECONDARY CIRCUIT BREAKER (1P-3A) |
| 4 - PCB2 | - P-2 MOTOR CIRCUIT BREAKER | 22 - R2 | - P-1 CALL RELAY (110V, 8PIN) |
| 5 - VFD1 | - VARIABLE FREQUENCY DRIVE #1 | 23 - R6 | - P-1 DISABLE RELAY (110V, 8PIN) |
| 6 - VFD2 | - VARIABLE FREQUENCY DRIVE #2 | 24 - R13 | - P-1 MOTOR THERMAL RELAY (110V, 11PIN) |
| 7 - PDB | - POWER DISTRIBUTION BLOCK (2POLE/MULTITAP) | 25 - R3 | - P-2 CALL RELAY (110V, 8PIN) |
| 8 - LA | - LIGHTNING ARRESTER | 26 - R7 | - P-2 DISABLE RELAY (110V, 8PIN) |
| 9 - TB4 | - TERMINAL BLOCK 4: ALARM LIGHT | 27 - R23 | - P-2 MOTOR THERMAL RELAY (110V, 11PIN) |
| 10 - GRD | - GROUND LUG(S) | 28 - BINT | - MAIN/GEN. MECHANICAL BREAKER INTERLOCK |
| 11 - TB1A | - TERMINAL BLOCK 1A | 29 - NB | - NEUTRAL BLOCK |
| 12 - TB6A | - TERMINAL BLOCK 6A | 30 - R11 | - REMOTE VFD RUN RELAY (110V, 8PIN) |
| 13 - TB6B | - TERMINAL BLOCK 6B | 31 - R4 | - VFD#1 RESET RELAY (110V, 8 PIN) |
| 14 - CCT | - CONTROL CIRCUIT TRANSFORMER (120V-24V) | 32 - R21 | - PUMP#2 RELAY (110V, 8 PIN) |
| 15 - R9 | - HIGH LEVEL OFF RELAY (24V, 11PIN) | 33 - R5 | - VFD#2 RESET RELAY (110V, 8 PIN) |
| 16 - R10 | - LOW LEVEL LOCKOUT RELAY (24V, 11PIN) | 34 - TST | - FAN THERMOSTAT |
| 17 - TD1 | - HIGH LEVEL TIME DELAY RELAY (24V, 8PIN) | | |
| 18 - TB3 | - TERMINAL BLOCK 3 | | |
| 19 - R12 | - PANEL INTRUSION ALARM RELAY(24V,11PIN) | | |
| 20 - FL | - FLASHER (110V SOLID STATE) | | |

THIS DETAIL CONSTITUTES MINIMUM STANDARDS. DESIGN ENGINEERS SHALL PROVIDE STANDARDS EQUAL TO OR GREATER THAN THESE.

DUPLEX 1 - 10HP: 220VAC-1PH-3W-60HZ

FOR:	UTILITIES DEPARTMENT	CITY OF NAPLES
DATE: NOV. 2011	DUPLEX PUMP CONTROL PANEL	SHEET: WW-42
DRAWN: DAG	TYPICAL BACKPLATE LAYOUT	DIR: WASTEWATER
SCALE: N.T.S.	380 RIVERSIDE CIRCLE, NAPLES, FLORIDA, 34102	DWG. WW-42.DWG

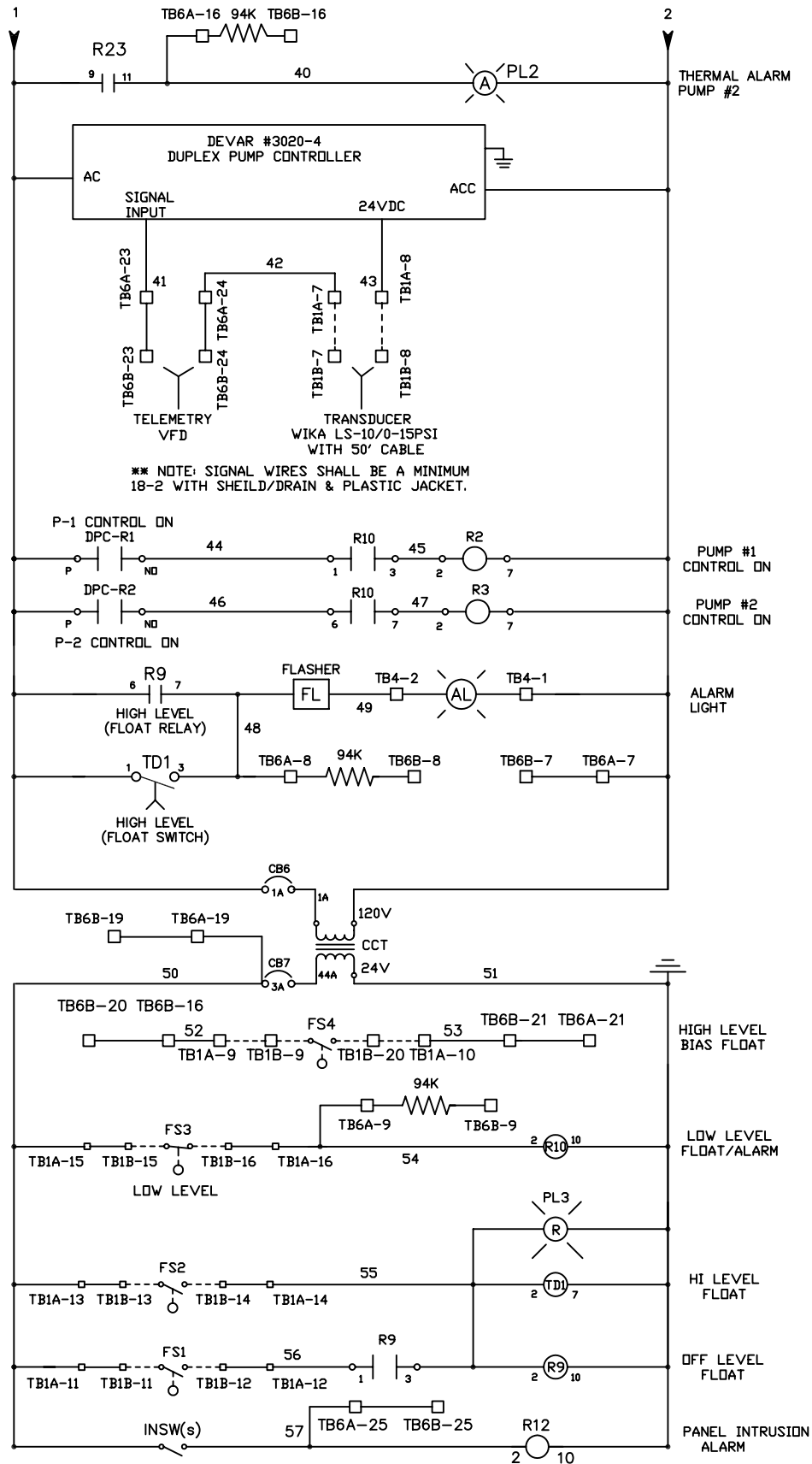


ALL WIRES SHALL BE CLEARLY NUMBERED/ LABELED AT EACH CONNECTION/ TERMINATION.

DUPLEX 1 - 10HP: 220VAC-1PH-3W-60HZ

THIS DETAIL CONSTITUTES MINIMUM STANDARDS. DESIGN ENGINEERS SHALL PROVIDE STANDARDS EQUAL TO OR GREATER THAN THESE.

FOR:	UTILITIES DEPARTMENT	CITY OF NAPLES
DATE: NOV. 2011	DUPLEX PUMP CONTROL PANEL	SHEET: WW-43
DRAWN: DAG	POWER/CONTROL WIRING LAYOUT1	DIR: WASTEWATER
SCALE: N.T.S.	380 RIVERSIDE CIRCLE, NAPLES, FLORIDA, 34102	DWG. WW-43.DWG

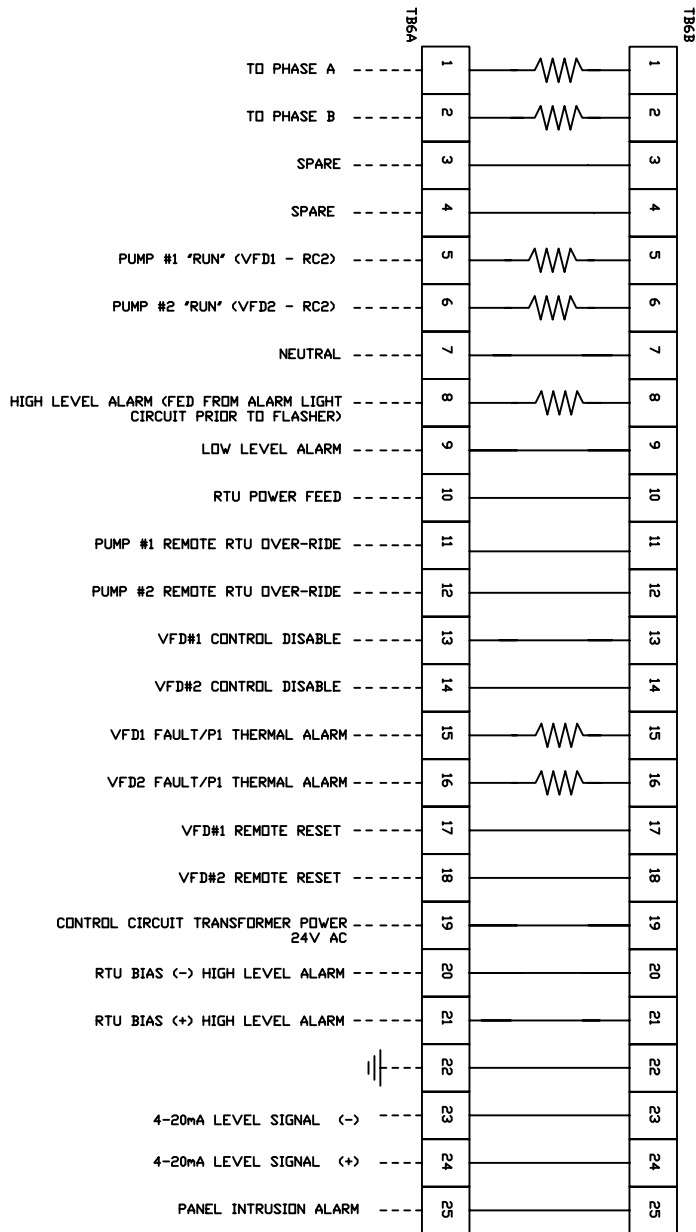


ALL WIRES SHALL BE CLEARLY NUMBERED/LABELED AT EACH CONNECTION/TERMINATION.

THIS DETAIL CONSTITUTES MINIMUM STANDARDS. DESIGN ENGINEERS SHALL PROVIDE STANDARDS EQUAL TO OR GREATER THAN THESE.

DUPLEX 1 - 10HP: 220VAC-1PH-3W-60HZ

FOR:	UTILITIES DEPARTMENT	CITY OF NAPLES
DATE: NOV. 2011	DUPLEX PUMP CONTROL PANEL	SHEET: WW-44
DRAWN: DAG	POWER/CONTROL WIRING LAYOUT2	DIR: WASTEWATER
SCALE: N.T.S.	380 RIVERSIDE CIRCLE, NAPLES, FLORIDA, 34102	DWG. WW-44.DWG



RTU INTERFACE TERMINAL STRIP

ALL WIRES SHALL BE CLEARLY NUMBERED/
LABELED AT EACH CONNECTION/TERMINATION.

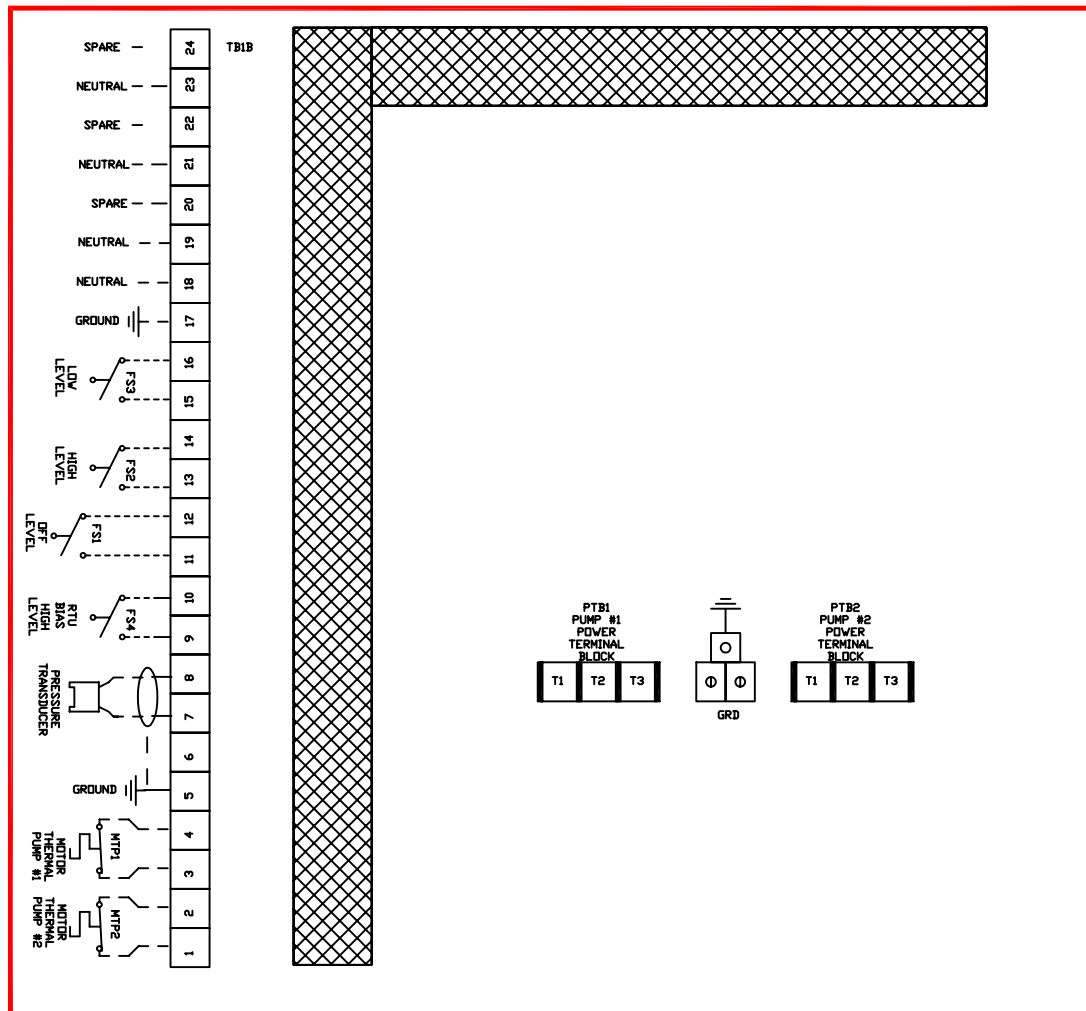
NOTES:

- 5A. TB6A & TB6B SHALL BE INSTALLED IN THE CONTROL PANEL AS DESCRIBED IN DRAWING "WW-42", WITH UN-OBSTRUCTED ACCESS AND A MINIMUM OF 1.5" SEPARATION FOR THE INSTALLATION OF THE RESISTORS AND JUMPER WIRES. THE 1.5" SEPARATION SHALL BE UNIFORM BETWEEN COMPONENTS AND WIREWAYS TO ALLOW ACCESS.
- 5B. ALL REQUIRED RESISTORS SHALL BE RATED AT 94K OHM @ 2 WATTS.
- 5C. TERMINAL BLOCKS TB6A & TB6B SHALL BE SQD 9080 SERIES OR EQUAL

**THIS DETAIL CONSTITUTES
MINIMUM STANDARDS. DESIGN
ENGINEERS SHALL PROVIDE
STANDARDS EQUAL TO OR
GREATER THAN THESE.**

DUPLEX 1 - 10HP: 220VAC-1PH-3W-60HZ

FOR:	UTILITIES DEPARTMENT	CITY OF NAPLES
DATE: NOV. 2011	<i>DUPLEX PUMP CONTROL PANEL</i>	SHEET: WW-45
DRAWN: DAG	<i>RTU INTERFACE TERMINAL DETAIL</i>	DIR: WASTEWATER
SCALE: N.T.S.	380 RIVERSIDE CIRCLE, NAPLES, FLOIRDA, 34102	DWG. WW-45.DWG



JUNCTION BOX BACKPLATE LAYOUT

REQUIRED TERMINATIONS IN SPECIFIED JUNCTION BOX

- 6A. LAYOUT MAY VARY SLIGHTLY AS REQUIRED
- 6B. BACKPLATE SHALL BE ALUMINUM.
- 6C. THE J-BOX SHALL BE ALUMINUM, 3, 4, OR 4X AS REQUIRED, WITH EXTERNAL MOUNTING BRACKETS, HINGED DOOR, GASKET SEAL, DRIP EDGE, & LOCKABLE.
- 6D. THE J-BOX SHALL BE SIZED TO PROPERLY ACCOMODATE ALL CONDUITS, FITTINGS, TERMINAL BLOCKS, AND SPECIFIED WIRING WITH ADEQUATE CLEARANCES AND SPACING. MINIMUM OR 16"X16"X 8"D. JUNCTION BOX CAN NOT EXCEED 16" HIGH. IF SPACING REQUIREMENTS REQUIRE MORE AREA, THE J-BOX SHALL BE MADE WIDER INSTEAD OF HIGHER;OR USE TWO MATCHING J-BOXES PER SPACE FILL REQUIERMENTS.
- 6E. THE TERMINAL BLOCKS, POWER BLOCKS, LUGS, AND WIRE RACE SHALL BE MOUNTED AS SHOWN IN THE ABOVE DETAIL. TB1B SHALL BE SQ D SERIES 9080, 30AMP RATED OR EQUAL. POWER BLOCKS AND LUGS SHALL BE SIZED ONE SIZE LARGER THAN REQUIRED LOADS.
- 6F. FOR CITY IN-HOUSE INSTALLATIONS: THE SPECIFIED J-BOX SHALL BE SUPPLIED WITH THE CONTROL PANEL; ALONG WITH THE REQUIRED MYERS HUBS, AL/SS NIPPLES, SEAL-OFFS AS REQUIERD BY CITY UTILITY STANDARDS; BUT WILL BE FIELD INSTALLED AND WIRED BY CITY PERSONNEL.
- 6G. FOR CONTRACTOR/DEVELOPER INSTALLED PROJECTS: THE SPECIFIED J-BOX SHALL BE SUPPLIED/INSTALLED WITH THE CONTROL PANEL; ALONG WITH THE REQUIRED MYERS HUBS, ALL/SS NIPPLES, SEAL-OFFS, AND WIRING; AS REQUIERD BY CITY UTILITY STANDARDS

ALL WIRES SHALL BE CLEARLY NUMBERED/LABELED AT EACH CONNECTION/TERMINATION.

THIS DETAIL CONSTITUTES MINIMUM STANDARDS. DESIGN ENGINEERS SHALL PROVIDE STANDARDS EQUAL TO OR GREATER THAN THESE.

DUPLEX 1 - 10HP: 220VAC-1PH-3W-60HZ

FOR:	UTILITIES DEPARTMENT	CITY OF NAPLES
DATE: NOV. 2011	DUPLEX PUMP CONTROL PANEL J-BOX BACKPLATE LAYOUT	SHEET: WW-46
DRAWN: DAG		DIR: WASTEWATER
SCALE: N.T.S.	380 RIVERSIDE CIRCLE, NAPLES, FLOIRDA, 34102	DWG. WW-46.DWG

Part No	Qty	TAG LABEL	DESC
AAE-A201L	8	R2,3,4,5,6,7,11,21	Control Relay 115 Vac 8 Pin. with lamp Indicator
AAE-A304L	3	R9,10,12	Control Relay 24 Vac 11 Pin. with lamp Indicator
AAE-A301L	2	R13,23	Control Relay 115 Vac 11 Pin. with lamp Indicator
FS127	1	FL	Seac Flasher 120 Vac, 90 Fpm
PF083E	9	R2,3,4,5,6,7,11,21,TD1	8 Pin Round Relay Base
PF113A	5	R9,10,12,13,23	11 Pin Round Relay Base
GE1A-C10HAD24	1	TD1	Time Delay Relay, adjustable, 24 Vac
1UHHE	1	TST	FAN THERMOSTAT (DAYTON)
480-2079-ND	2	ETM1 & 2	Hour Meter
9080LBA162101	1	NEU	AB Power Block 1 Pole
9080LBA	1	PDB	Power Block, 2 POLE MULTI-TAP
LRX-40	1	AL	Alarm Light Red
9001-SKP38A9	2	PL1,2	SQD Pilot Light 120Vac Amber Lens Corrosion Resistant Plastic
9001-SKS43BH1	2	SS1,2	SQD 3 Pos. Selector SW. with Contacts on Both Side, Cam C,
9001-SKP38G9	2	RL1,2	SQD Pilot Light 120Vac Green Lens corrosion resistant plastic.
9001-SKP35F9	1	PL3	SQD Pilot Light 24Vac, Red Lens corrosion resistant plastic.
9070T50D23	1	CCT	SQD 50VA Transformer 120V/24VAC.
HDL26----	2	PCB1,2	SQD MOTOR Breaker 2 Pole ---Amp, 600 Vac Rating (SIZED FOR SPECIFIED HP)
HDL26----	2	MCB, ECB	SQD MAIN/GEN Breaker 3 Pole ---Amp, 600Vac Rating (SIZED FOR FULL LOAD RATING)
QDU115	2	CB1,CB3	SQD Breaker 1 Pole 15 Amps 120/240 Vac
QDU120	2	CB2,CB4	SQD Breaker 1 Pole 20 Amps 120/240 Vac
AR	1	LA	Advanced Protection Technologies Lightning Arrestor 220 VAC 1 PH
PAS2091W	1	DR	GFCI Receptacle 20 Amps
3020-4	1	D LPC	Devor Controller
LS-10/0-15PSI	1	PT	WIKI pressure Transducer, 50' Cable
C4100R9W	1	GR	Hubbel 100 Amp Generator Receptacle with angle BB1002W
ATV312-----	2	VFD1,2	VFD ALTIVAR312 --HP 220VAC BY SQD. (RATED FOR SPECIFIED HP)
1492-J4	AR	TB1A,1B,6A,6B,4	Terminal Blocks 30 amps
1492-EBJ3	AR	TBEb	Terminal Blocks end barrier.
ABIAB8M35	AR	TBEC	Terminal Blocks end clamp.
9080LBA-----	2	PTB1,2	2 pole Power Terminal Block by SQD.
282-91K-RC	10	RES	Resistor 94K OHM 2 watts
MG24140	1	CBS	Circuit Breaker 3 poles 1 Amps.
MG24500	1	CB6	Circuit Breaker 1 pole 1 Amp.
MG24502	1	CB7	Circuit Breaker 1 pole 3 Amps.
K2A25U	4	GRDL	Double Ground Lug.
	1	ENC	Nema 3R, 4, or 12 Enclosure 48"Hx36"Wx12"D wall mount w/hold open arms, AL supanel.
	1	J-BDX	J-Box Nema 3, 4, or 4X enclosure 16"Hx16"Wx8"D Hinged/shp edge, & gasketed, AL supanel.
	6	EYE INSTALL	1 1/5" Min ALUMINUM DR STAINLESS closed nipple PER UTILITY STANDARDS.
	6	EYE INSTALL	15" Min MYERS HUBS to both enclosures.
EY150	3	EYE INSTALL	Cast Aluminum Vertical sealing fitting 1 1/2" Min
29125	1	LTB	PORTFOLIO LED LIGHT BAR
TFP41	1	FAN	4" COOLING FAN ASSEMBLY BY HOFFMAN
TFP4	1	EXH	EXHAUST VENT ASSEMBLY BY HOFFMAN
AS REQUIRED	1	ALL DIN RAIL, SCREWS, BOLTS, NUTS, SEALANTS, ADHESIVES, AND MISC. HARWARE AND SUPPLIES NECESSARY FOR JOB.	

DUPLEX 1 - 10HP: 220VAC-1PH-3W-60HZ

FOR:	UTILITIES DEPARTMENT	CITY OF NAPLES
DATE: NOV. 2011	DUPLEX PUMP CONTROL PANEL	SHEET: WW-47
DRAWN: DAG	SCHEDULE OF MATERIALS	DIR: WASTEWATER
SCALE: N.T.S.	380 RIVERSIDE CIRCLE, NAPLES, FLORIDA, 34102	DWG. WW-47.DWG

PANEL MANUFACTURER MUST PROVIDE SUBMITTALS FOR ALL MATERIALS AND COMPONENTS TO BE UTILIZED FOR THIS PROJECT BEFORE ANY ASSEMBLY IS INITIATED. THE CITY RESERVES THE RIGHT TO REJECT ANY AND ALL MATERIAL OR COMPONENT NOT MEETING STANDARDS.

AR = AS REQUIRED

CONTROL PANEL NOTES:

Panel designer may make changes in materials and component manufacturer, with City Utilities Engineer's approval only.

Manufacturer shall list any additional equipment necessary to provide a clean, neat, professional, and Code compliant control panel; such as: Lugs, distribution terminals, wire races, etc..

The panel manufacturer shall provide two (2) sets of As-Built drawings in hard copy, and the drawings shall be provided in Dwg 2004 format, on a CD.

A laminated As-Built Ladder Diagram shall be attached to the inside of the outer control panel door.

The Control Panel Enclosure shall be Type 14 gauge minimum Aluminum, NEMA 3R, 4, or 12 as required, gasketed, with: A padlockable hasp, three point latch system, wind restrainer arm(s) that includes all hardware to restrain both the main and dead front door(s) when open; backplate(s), and drip edge that extends the entire length of the top of the enclosure.

The Junction Box Enclosure shall be Type 14 gauge minimum Aluminum, NEMA 3, 4, or 4X as required, gasketed, drip edge with: A padlockable hasp, hinged door. The Junction Box shall have a back plate for component mounting. The Junction Box shall have industrial grade terminal strips of sufficient size and spacing, as required by these specifications. The Junction Box shall be isolated from the Control Panel with the properly sized seal-off fittings (not to exceed 80% capacity), pre-wired, and supplied with epoxy sealant per manufacturer recommendations. The epoxy sealant shall be supplied with but installed on site after all connections are made, confirmed, and accepted by the City. The J-Box shall be mounted to the panel using Myers Hubs at both panels, threaded nipples, and Cast AL Vertical EYE fittings.

The Control Panel Enclosure and the Junction Box Enclosure shall be shipped: Pre-wired, Pre-tested, and complete as one unit, unless this creates a shipping hazard. If the J-Box requires removal for shipping, all wires shall be properly tagged and protected during shipping. The enclosures and components shall be properly packed to prevent damage and loss during shipment to our Naples location.

All Panduit (or equal) wire raceways shall not be filled in excess of 80% capacity. All wires extending outside of a raceway in excess of 5" shall be held in place with plastic wire ties. All wiring shall be neat and un-tangled.

All wires shall be properly labeled at each termination point. All wires and terminals shall be rated according to NEC standards.

DUPLEX 1 - 10HP: 220VAC-1PH-3W-60HZ

FOR:	UTILITIES DEPARTMENT	CITY OF NAPLES
DATE: NOV. 2011	<i>DUPLEX PUMP CONTROL PANEL</i>	SHEET: WW-48
DRAWN: DAG	<i>CONTROL PANEL NOTES</i>	DIR: WASTEWATER
SCALE: N.T.S.	380 RIVERSIDE CIRCLE, NAPLES, FLOIRDA, 34102	DWG. WW-48.DWG

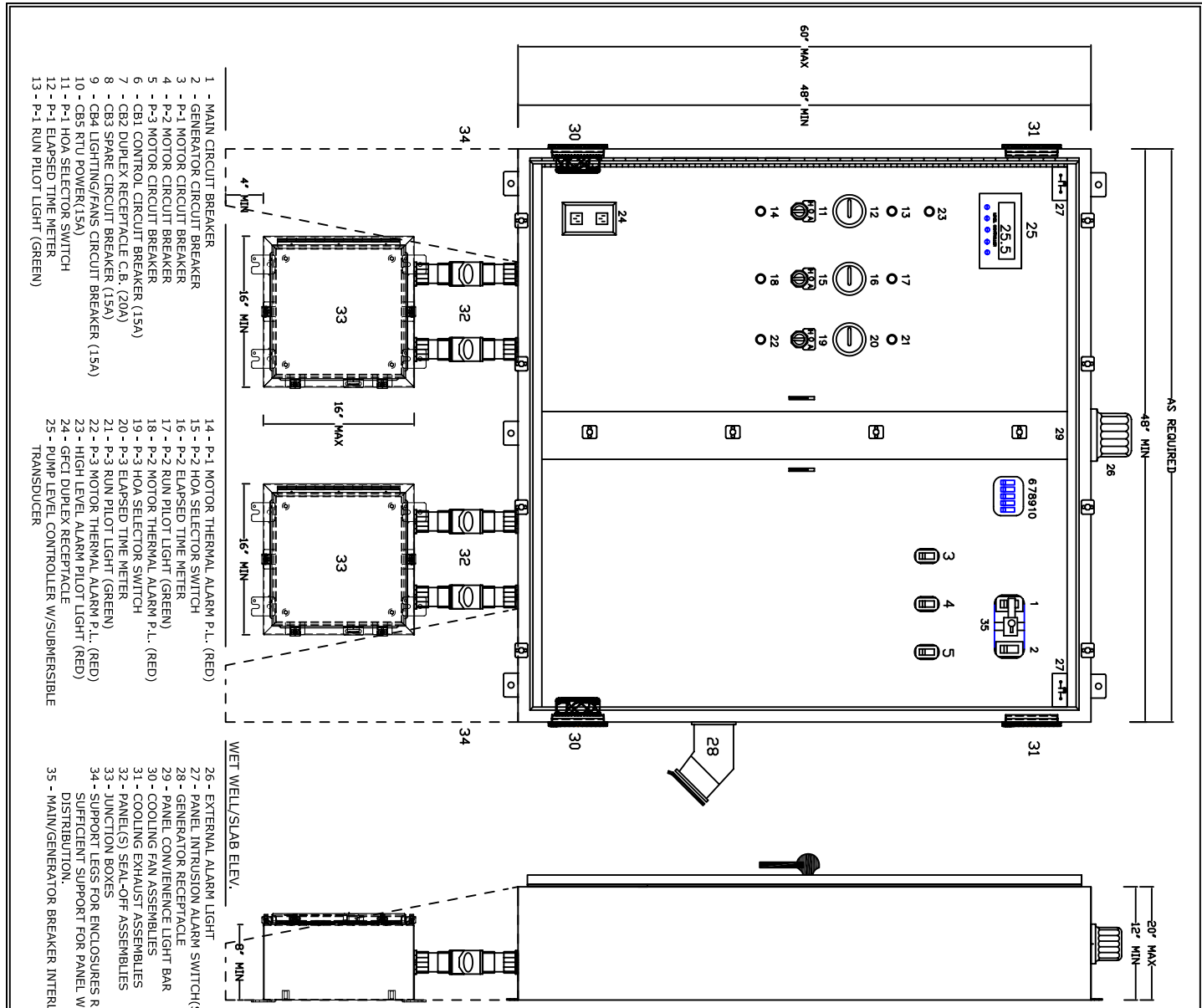
CONTROL PANEL MINIMUM LABELING REQUIREMENTS

LABEL	QUANT	COLOR	DESCRIPTION
MCB	2	BLACK	MAIN CIRCUIT BREAKER
GCB	2	BLACK	GENERATOR CIRCUIT BREAKER
PCB1	2	BLACK	PUMP 1 CIRCUIT BREAKER
PCB2	2	BLACK	PUMP 2 CIRCUIT BREAKER
CB1-4	1	BLACK	CONTROL CB, RECEPTICLE CB, SPARE CB, LIGHTING CB
CB1	1	BLACK	CONTROL CIRCUIT BREAKER
CB2	1	BLACK	RECEPTICLE CIRCUIT BREAKER
CB3	1	BLACK	SPARE CIRCUIT BREAKER
CB4	1	BLACK	LIGHTING CIRCUIT BREAKER
VFD1	1	BLACK	VARIABLE FREQUENCY DRIVE 1
VFD2	1	BLACK	VARIABLE FREQUENCY DRIVE 2
CB6	1	BLACK	CONTROL CIRCUIT TRANSFORMER LINE CIRCUIT BREAKER
CB7	1	BLACK	CONTROL POWER TRANSFORMER LOAD CIRCUIT BREAKER
CCT	1	BLACK	CONTROL CIRCUIT TRANSFORMER
R1	1	BLUE	CONTROL CIRCUIT POWER RELAY
R2	1	BLUE	P1 CONTROL ON RELAY
R3	1	BLUE	P2 CONTROL ON RELAY
R4	1	BLUE	VFD1 REMOTE RESET RELAY
R5	1	BLUE	VFD2 REMOTE RESET RELAY
R6	1	BLUE	P1 REMOTE DISABLE RELAY
R7	1	BLUE	P2 REMOTE DISABLE RELAY
R9	1	BLUE	HIGH LEVEL ON/OFF FLOAT RELAY
R10	1	BLUE	LOW LEVEL ALARM OVER-RIDE RELAY
R11	1	BLUE	VFD1 RUN RELAY
R12	1	BLUE	INTRUSION ALARM/CONVIENENCE LIGHT RELAY
R13	1	BLUE	P1 THERMAL ALARM RELAY
R21	1	BLUE	VFD2 RUN RELAY
R23	1	BLUE	P2 THERMAL ALARM RELAY
TD1	1	BLUE	FLOAT OPERATED SECOND PUMP ON TIME DELAY RELAY
TB4	1	BLUE	ALARM LIGHT TERMINAL BLOCK
TB1A	1	BLUE	PANEL CONTROLS TERMINAL BLOCK
TB1B	1	BLUE	J-BOX CONTROLS TERMINAL BLOCK
TB6A	1	BLUE	RTU INTERFACE TERMINAL BLOCK A
TB6B	1	BLUE	RTU INTERFACE TERMINAL BLOCK B
P1 RUN	1	BLUE	P1 RUN PILOT LIGHT
P2 RUN	1	BLUE	P2 RUN PILOT LIGHT
TST	1	BLUE	FAN THERMOSTAT
FLASH	1	RED	FLASHER FOR HIGH LEVEL
P1 THERMAL	1	RED	P1 THERMAL OVERLOAD ALARM PILOT LIGHT
P2 THERMAL	1	RED	P2 THERMAL OVERLOAD ALARM PILOT LIGHT
HIGH LEVEL	1	RED	HIGH LEVEL ALARM PILOT LIGHT

Each switch, circuit breaker, indicating light, push button, relay, etc., shall have an engraved laminated plastic color coded nameplate mounted above or below the device for proper identification; RED for alarm, BLACK for Power, and BLUE for level and controls. Letters shall be a minimum of 1/4" in height. A quality, long lasting adhesive shall be used for mounting the labels.

DUPLEX 1 - 10HP: 220VAC-1PH-3W-60HZ

FOR:	UTILITIES DEPARTMENT	CITY OF NAPLES
DATE: NOV. 2011	<i>DUPLEX PUMP CONTROL PANEL PANEL LABELING DETAILS</i>	SHEET: WW-49
DRAWN: DAG		DIR: WASTEWATER
SCALE: N.T.S.	380 RIVERSIDE CIRCLE, NAPLES, FLOIRDA, 34102	DWG. WW-49.DWG



- 1 - MAIN CIRCUIT BREAKER
- 2 - GENERATOR CIRCUIT BREAKER
- 3 - P-1 MOTOR CIRCUIT BREAKER
- 4 - P-2 MOTOR CIRCUIT BREAKER
- 5 - P-3 MOTOR CIRCUIT BREAKER
- 6 - CB1 CONTROL CIRCUIT BREAKER (15A)
- 7 - CB2 DUPLEX CIRCUIT BREAKER (15A)
- 8 - CB3 SPARE CIRCUIT BREAKER (15A)
- 9 - CB4 LIGHTING/FANS CIRCUIT BREAKER (15A)
- 10 - CB5 RTU POWER(15A)
- 11 - P-1 HOA SELECTOR SWITCH
- 12 - P-1 ELAPSED TIME METER
- 13 - P-1 RUN PILOT LIGHT (GREEN)
- 14 - P-1 MOTOR THERMAL ALARM P.L. (RED)
- 15 - P-2 HOA SELECTOR SWITCH
- 16 - P-2 ELAPSED TIME METER
- 17 - P-2 RUN PILOT LIGHT (GREEN)
- 18 - P-2 MOTOR THERMAL ALARM P.L. (RED)
- 19 - P-3 HOA SELECTOR SWITCH
- 20 - P-3 ELAPSED TIME METER
- 21 - P-3 RUN PILOT LIGHT (GREEN)
- 22 - P-3 MOTOR THERMAL ALARM P.L. (RED)
- 23 - HIGH LEVEL ALARM PILOT LIGHT (RED)
- 24 - GFCl DUPLEX RECEPTACLE
- 25 - PUMP LEVEL CONTROLLER W/SUBMERSIBLE TRANSDUCER

- 26 - EXTERNAL ALARM LIGHT
- 27 - PANEL INTRUSION ALARM SWITCH(S)
- 28 - GENERATOR RECEPTACLE
- 29 - PANEL CONVENIENCE LIGHT BAR
- 30 - COOLING FAN ASSEMBLIES
- 31 - COOLING EXHAUST ASSEMBLIES
- 32 - PANEL(S) SEAL-OFF ASSEMBLIES
- 33 - JUNCTION BOXES
- 34 - SUPPORT LEGS FOR ENCLOSURES REQUIRING SUFFICIENT SUPPORT FOR PANEL WEIGHT DISTRIBUTION.
- 35 - MAIN/GENERATOR BREAKER INTERLOCK

WET WELL/SLAB ELEV.

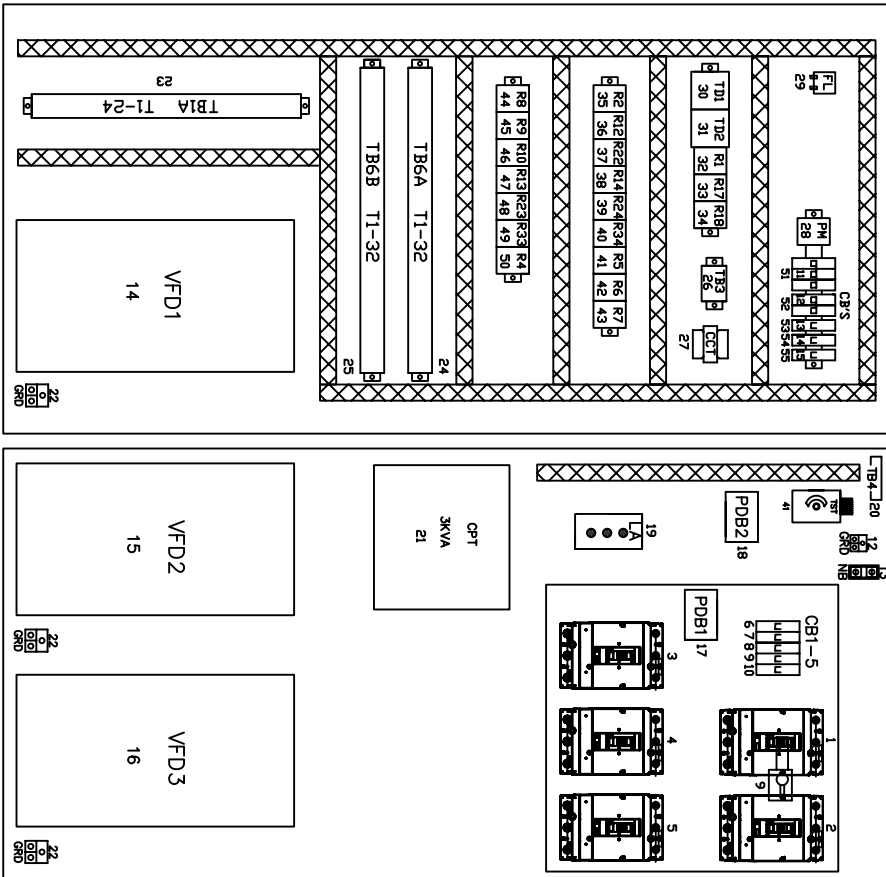
- KEY NOTES:**
- * OUTER DOOR(S) HAVE BEEN REMOVED FOR CLARITY
 - * PANEL ENCLOSURE SIZE SHALL BE DETERMINED BY PROPER SPACING & CODE REQUIREMENTS OF ALL SPECIFIED COMPONENTS TO BE INSTALLED.
 - * CONFIGURATION MAY VARY, MAINTAIN A 1.5" SEPARATION BETWEEN COMPONENTS & CABLE TRANS.
 - * PROJECTS WITH HP RATINGS GREATER THAN 20 HP MAY REQUIRE LARGER ENCLOSURES UP TO 60" MAX X AS REQUIRED W/ X 16"-20" D. AND REQUIRE SUPPORT LEGS TO DISTRIBUTE THE WEIGHT OF THE ENCLOSURE.
 - * THE SUB-PANEL DOOR SHALL BE EQUIPPED WITH A WIND (HOLD OPEN) RESTRAINT MECHANISM.
 - * THE PANEL ENCLOSURE SHALL BE SUPPLIED WITH A CONTINUOUS DRIP EDGE.
 - * THE ENCLOSURE SHALL BE ALUMINUM NEMA 3R, 4, OR 12 AS REQUIRED. GASKET SEAL DOORS. A MINIMUM OF A THREE POINT LATCH SYSTEM, LOCKING HASP, AND STAINLESS STEEL HINGES & HARDWARE.
 - * SINGLE DOOR ENCLOSURES SHALL REQUIRE ONE (1) EA INTRUSION DOOR SWITCH, PANEL INTRUSION DOOR SWITCH, SWITCH SHALL BE WEATHER AND SECURELY MOUNTED. SWITCH SHALL BE WEATHER RESISTANT, NON-EXPOSED CONTACTS/TERMINALS, IMPACT RESISTANT. SWITCH CAN BE MAGNETIC, MECHANICAL, ETC.
 - * DOUBLE DOOR ENCLOSURES SHALL REQUIRE ONE (1) EA INTRUSION DOOR SWITCH FOR EACH DOOR, DOUBLE DOOR ENCLOSURES SHALL REQUIRE ONE (1) EA INTRUSION DOOR SWITCH FOR EACH DOOR, PANEL INTRUSION DOOR SWITCH(S); SWITCH SHALL BE CLEANLY AND SECURELY MOUNTED. SWITCH SHALL BE WEATHER RESISTANT, NON-EXPOSED CONTACTS/TERMINALS, IMPACT RESISTANT. SWITCH CAN BE MAGNETIC, MECHANICAL, ETC.
 - * ITEM 29 PANEL CONVENIENCE LIGHT BAR: THE SPECIFIED PORTFOLIO 27" LED LIGHT STRIP SHALL BE MOUNTED: SINGLE DOOR PANEL: BEHIND THE SUB-DOOR AND UNDER THE TOP OF PANEL. DOUBLE DOOR PANEL: BEHIND THE CENTER DIVIDER SUPPORT.
 - * THE UTILITY ENGINEER AND/OR THE MAINTENANCE SUPERVISOR MAY REQUEST A DEDUCT OF THE FOLLOWING ITEMS FOR INSTALLATIONS THAT HAVE A ON SITE STANDBY GENERATOR:
 - ITEM 2 - GENERATOR CIRCUIT BREAKER
 - ITEM 28 - GENERATOR RECEPTACLE
 - ITEM 35 - M/G BREAKER INTERLOCK

A DATA POCKET SHALL BE MOUNTED TO THE INSIDE OF THE PANEL ENCLOSURE OUTER DOOR. NO PENETRATIONS THROUGH THE DOOR SHALL BE ALLOWED FOR MOUNTING. THE DATA POCKET SHALL BE HOFFMAN ADP2 OR APPROVED EQUAL. DOUBLE DOOR ENCLOSURES SHALL BE SUPPLIED WITH 1 EA DATA PACKET PER DOOR.

THIS DETAIL CONSTITUTES MINIMUM STANDARDS. DESIGN ENGINEERS SHALL PROVIDE STANDARDS EQUAL TO OR GREATER THAN THESE.

TRIPLEX: 460VAC - 3PH - 4W - 60HZ

FOR:	UTILITIES DEPARTMENT	CITY OF NAPLES
DATE: NOV. 2011	TRIPLEX PUMP CONTROL PANEL	SHEET: WW-50
DRAWN: DAG	TYPICAL DEAD FRONT PANEL	DIR: WASTEWATER
SCALE: N.T.S.	380 RIVERSIDE CIRCLE, NAPLES, FLORIDA, 34102	DWG. WW-50.DWG



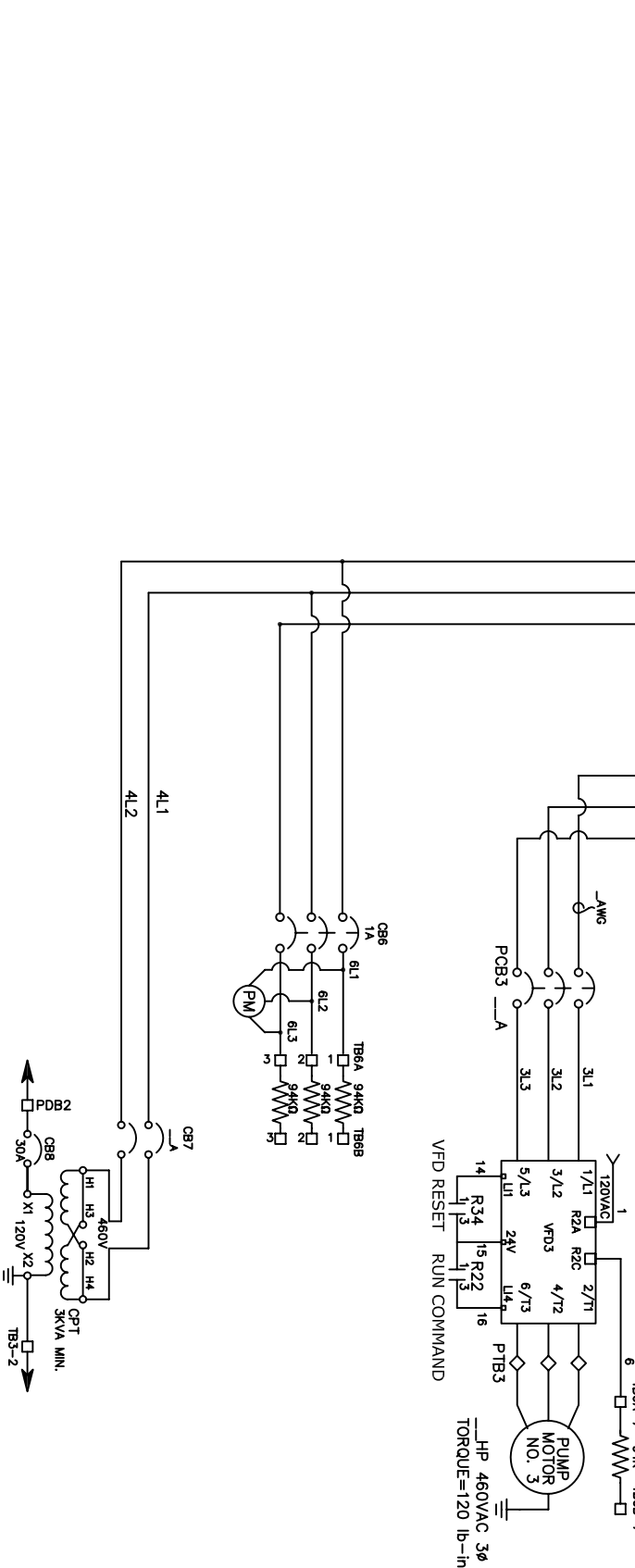
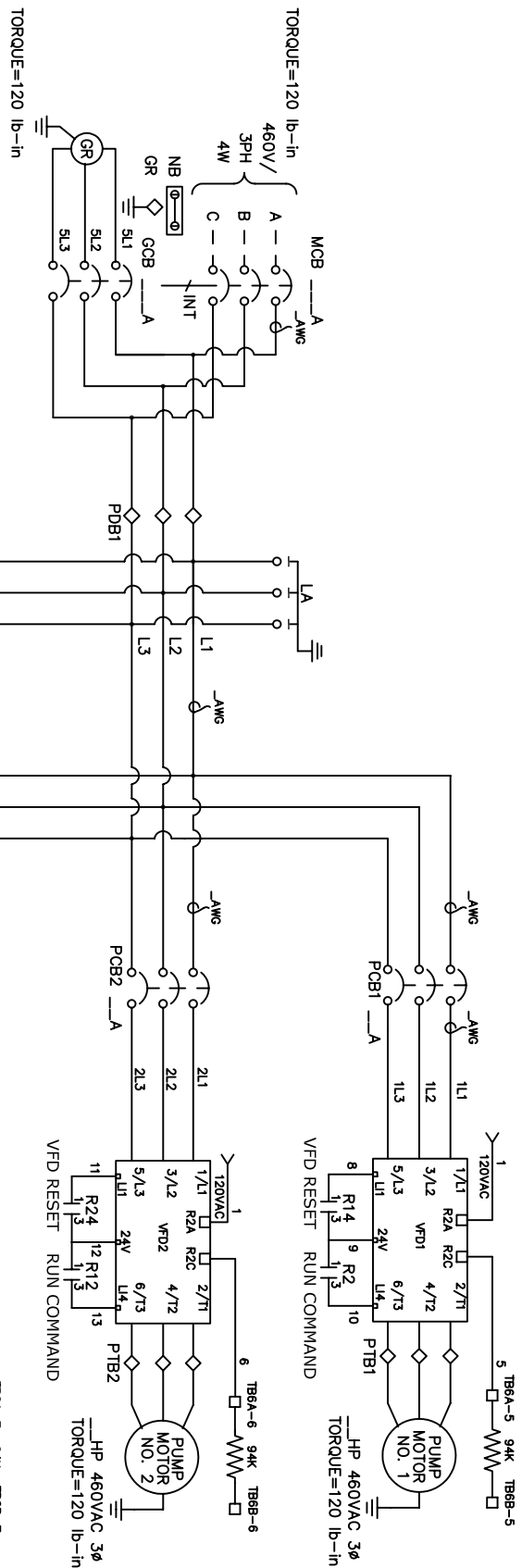
LAYOUT MAY VARY AS DETERMINED BY SIZE & SPACING REQUIREMENTS

- 1 - MCB - MAIN CIRCUIT BREAKER
- 2 - GCB - GENERATOR CIRCUIT BREAKER
- 3 - PCB1 - P-1 CIRCUIT BREAKER
- 4 - PCB2 - P-2 CIRCUIT BREAKER
- 5 - PCB3 - P-3 CIRCUIT BREAKER
- 6 - CB1 - CONTROL CIRCUIT BREAKER 1P/15 AMP
- 7 - CB2 - DUPLEX RECEPTACLE CIRCUIT BREAKER 1P/20 AMP
- 8 - CB3 - SPARE CIRCUIT BREAKER 1P/20 AMP
- 9 - CB4 - LIGHTING CIRCUIT BREAKER 1P/15 AMP
- 10 - CBS - RTU POWER FEED
- 11 - TTLK - MAIN/GENERATOR CIRCUIT BREAKER INTERLOCK
- 12 - GTB - GROUND TERMINAL BLOCK
- 13 - NTB - NEUTRAL TERMINAL BLOCK
- 14 - VFD1 - P-1 VARIABLE FREQUENCY DRIVE
- 15 - VFD2 - P-2 VARIABLE FREQUENCY DRIVE
- 16 - VFD3 - P-3 VARIABLE FREQUENCY DRIVE
- 17 - PDB1 - POWER DISTRIBUTION BLOCK 3 POLE MULTI-TAP
- 18 - PDB2 - POWER DISTRIBUTION BLOCK 1 POLE MULTI-TAP
- 19 - LA - LIGHTNING ARRESTER
- 20 - TB4 - TERMINAL BLOCK 4: ALARM LIGHT
- 21 - CPT - CONTROL POWER TRANSFORMER (480V-120V)
- 22 - PGRD - GROUND LUG(S)
- 23 - TB1A - TERMINAL BLOCK 1A
- 24 - TB6A - TERMINAL BLOCK 6A
- 25 - TB6B - TERMINAL BLOCK 6B
- 26 - TB3 - TERMINAL BLOCK 3
- 27 - CCT - CONTROL CIRCUIT TRANSFORMER (120V-24V)
- 28 - PM - PHASE MONITOR 480V, 8PIN AS REQ.
- 29 - FL - FLASHER (110V SOLID STATE)
- 30 - TD1 - HIGH LEVEL TIME DELAY RELAY 2ND PUMP (24V, 8PIN)
- 31 - TD2 - HIGH LEVEL TIME DELAY RELAY 3RD PUMP (24V, 8PIN)
- 32 - R1 - FLOAT PUMP START/LATCH RELAY (24V, 8PIN)
- 33 - R17 - PANEL INTRUSION RELAY (24V, 8PIN)
- 34 - R18 - LOW LEVEL CUT OFF RELAY (24V, 11PIN)
- 35 - R2 - VFD-1 RUN COMMAND (110V, 11PIN)
- 36 - R12 - VFD-2 RUN COMMAND (110V, 11PIN)
- 37 - R22 - VFD-3 RUN COMMAND (110V, 11PIN)
- 38 - R14 - VFD-1 REMOTE RESET RELAY (110V, 8PIN)
- 39 - R24 - VFD-2 REMOTE RESET RELAY (110V, 8PIN)
- 40 - R34 - VFD-3 REMOTE RESET RELAY (110V, 8PIN)
- 41 - R5 - P-1 CALL RELAY (110V, 8PIN)
- 42 - R6 - P-2 CALL RELAY (110V, 8PIN)
- 43 - R7 - P-3 CALL RELAY (110V, 8PIN)
- 44 - R8 - P-1 DISABLE RELAY (110V, 8PIN)
- 45 - R9 - P-2 DISABLE RELAY (110V, 8PIN)
- 46 - R10 - P-3 DISABLE RELAY (110V, 8PIN)
- 47 - R13 - P-1 MOTOR THERMAL FAIL RELAY (110V, 11PIN)
- 48 - R23 - P-2 MOTOR THERMAL FAIL RELAY (110V, 11PIN)
- 49 - R33 - P-3 MOTOR THERMAL FAIL RELAY (110V, 11PIN)
- 50 - R4 - HIGH LEVEL ALARM CONTROLLER RELAY (110V, 8PIN)
- 51 - CB11 - PM MINI CIRCUIT BREAKER 3 POLE 460V DIN 1A
- 52 - CB12 - CPT LINE MINI CIRCUIT BREAKER 2 POLE 460V DIN 25A
- 53 - CB13 - CPT LOAD MINI CIRCUIT BREAKER 1 POLE 120V DIN 1A
- 54 - CB14 - CCT LINE MINI CIRCUIT BREAKER 1 POLE 120V DIN 1A
- 55 - CB15 - CCT LOAD MINI CIRCUIT BREAKER 1 POLE 24V DIN 3A

THIS DETAIL CONSTITUTES MINIMUM STANDARDS. DESIGN ENGINEERS SHALL PROVIDE STANDARDS EQUAL TO OR GREATER THAN THESE.

TRIPLEX: 460VAC - 3PH - 4W - 60HZ

FOR:	UTILITIES DEPARTMENT	CITY OF NAPLES
DATE: NOV. 2011	TRIPLEX PUMP CONTROL PANEL	SHEET: WW-51
DRAWN: DAG	TYPICAL BACKPLATE(S) LAYOUT	DIR: WASTEWATER
SCALE: N.T.S.	380 RIVERSIDE CIRCLE, NAPLES, FLORIDA, 34102	DWG. WW-51.DWG



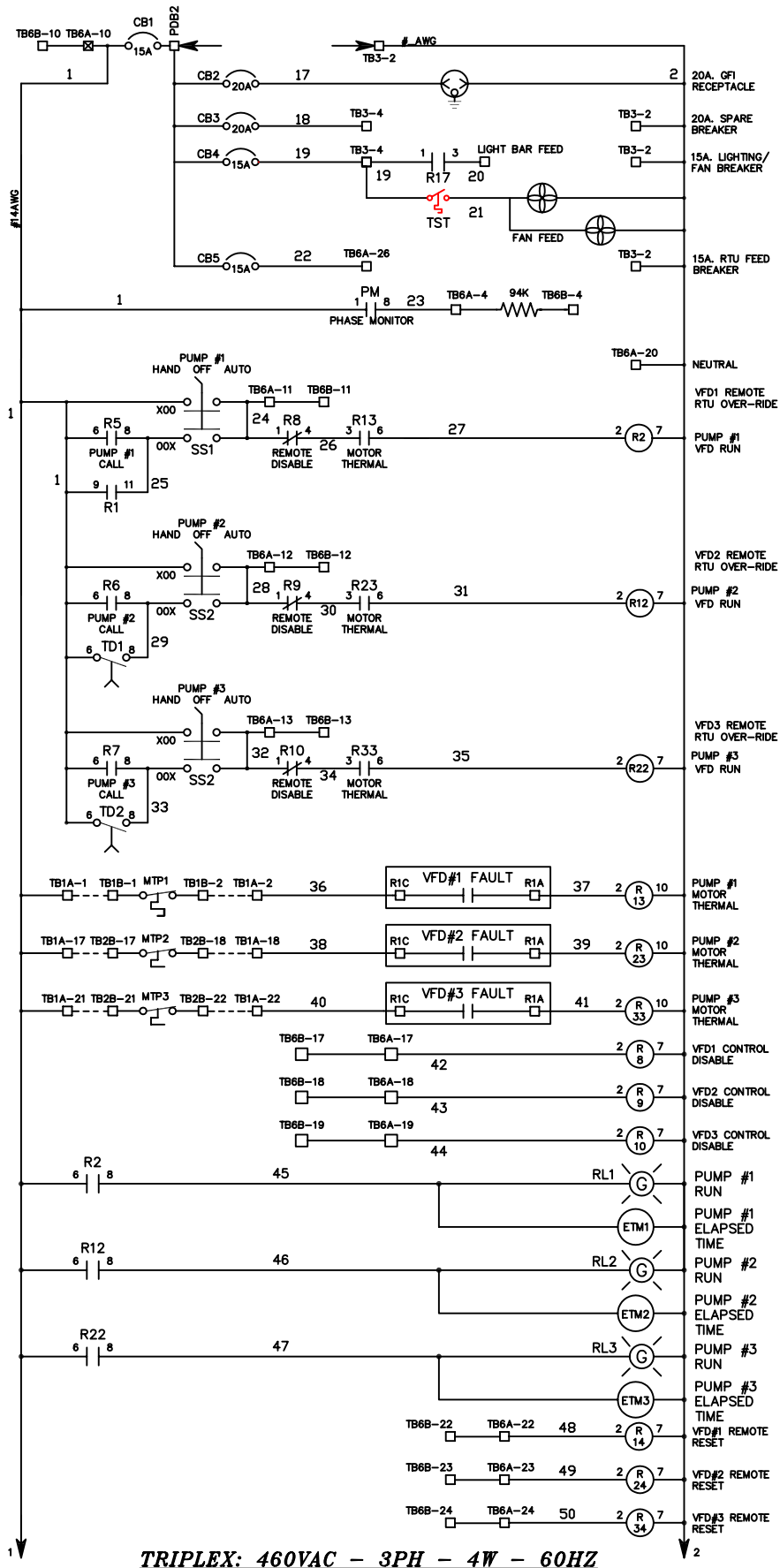
THIS DETAIL CONSTITUTES
 MINIMUM STANDARDS. DESIGN
 ENGINEERS SHALL PROVIDE
 STANDARDS EQUAL TO OR
 GREATER THAN THESE.

TRIPLEX: 460VAC - 3PH - 4W - 60HZ

FOR:	UTILITIES DEPARTMENT	CITY OF NAPLES
DATE: NOV. 2011	TRIPLEX PUMP CONTROL PANEL POWER WIRING LAYOUT	SHEET: WW-52
DRAWN: DAG		DIR: WASTEWATER
SCALE: N.T.S.	380 RIVERSIDE CIRCLE, NAPLES, FLORIDA, 34102	DWG. WW-52.DWG

ALL WIRES SHALL BE CLEARLY NUMBERED/ LABELED AT EACH CONNECTION/ TERMINATION.

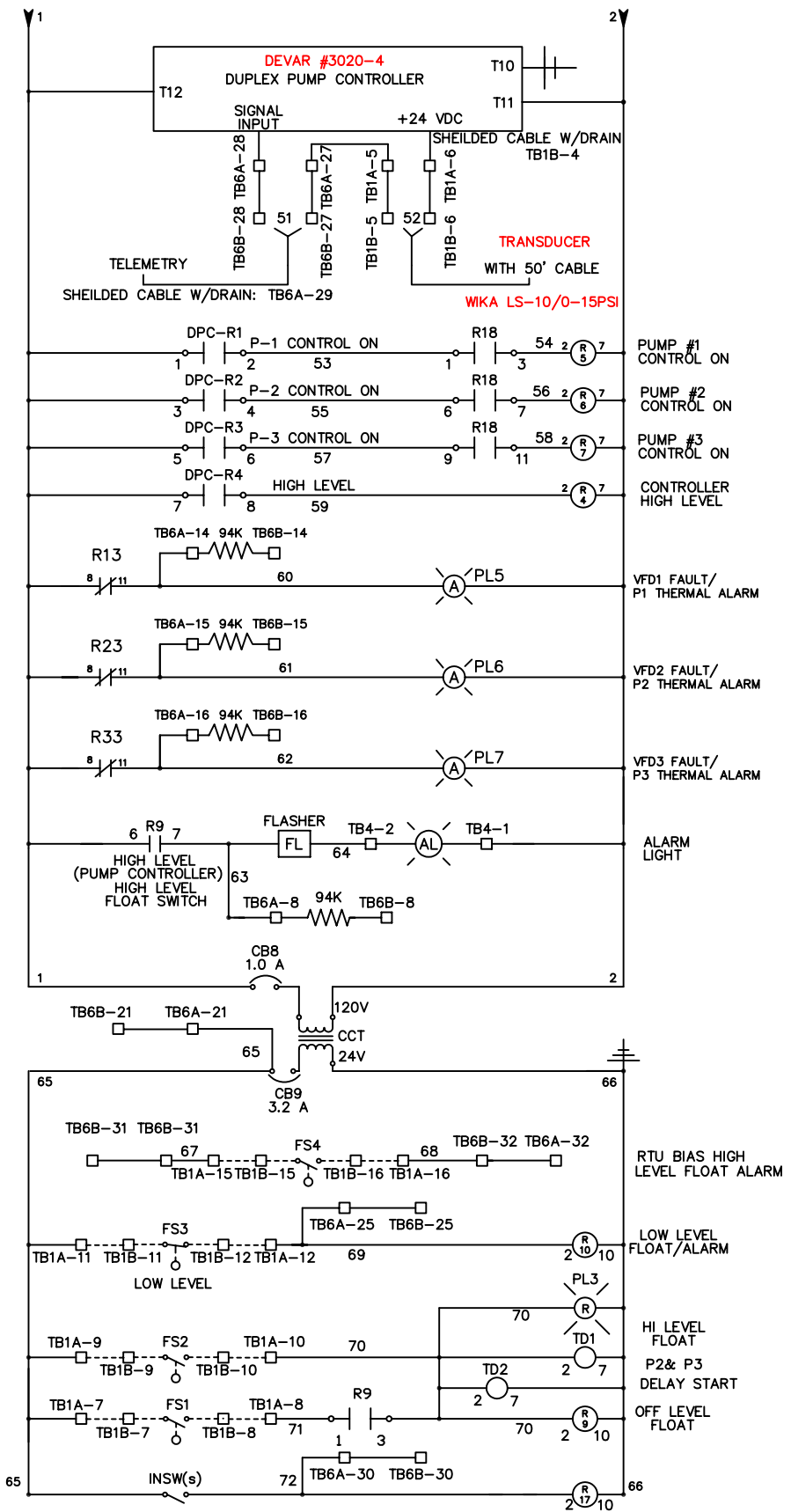
ALL WIRES SHALL BE CLEARLY NUMBERED/LABELLED AT EACH CONNECTION/TERMINATION.



TRIPLEX: 460VAC - 3PH - 4W - 60HZ

THIS DETAIL CONSTITUTES MINIMUM STANDARDS. DESIGN ENGINEERS SHALL PROVIDE STANDARDS EQUAL TO OR GREATER THAN THESE.

FOR:	UTILITIES DEPARTMENT	CITY OF NAPLES
DATE: NOV. 2011	TRIPLEX PUMP CONTROL PANEL CONTROL WIRING LAYOUT 1	SHEET: WW-53
DRAWN: DAG		DIR: WASTEWATER
SCALE: N.T.S.	380 RIVERSIDE CIRCLE, NAPLES, FLORIDA, 34102	DWG. WW534.DWG

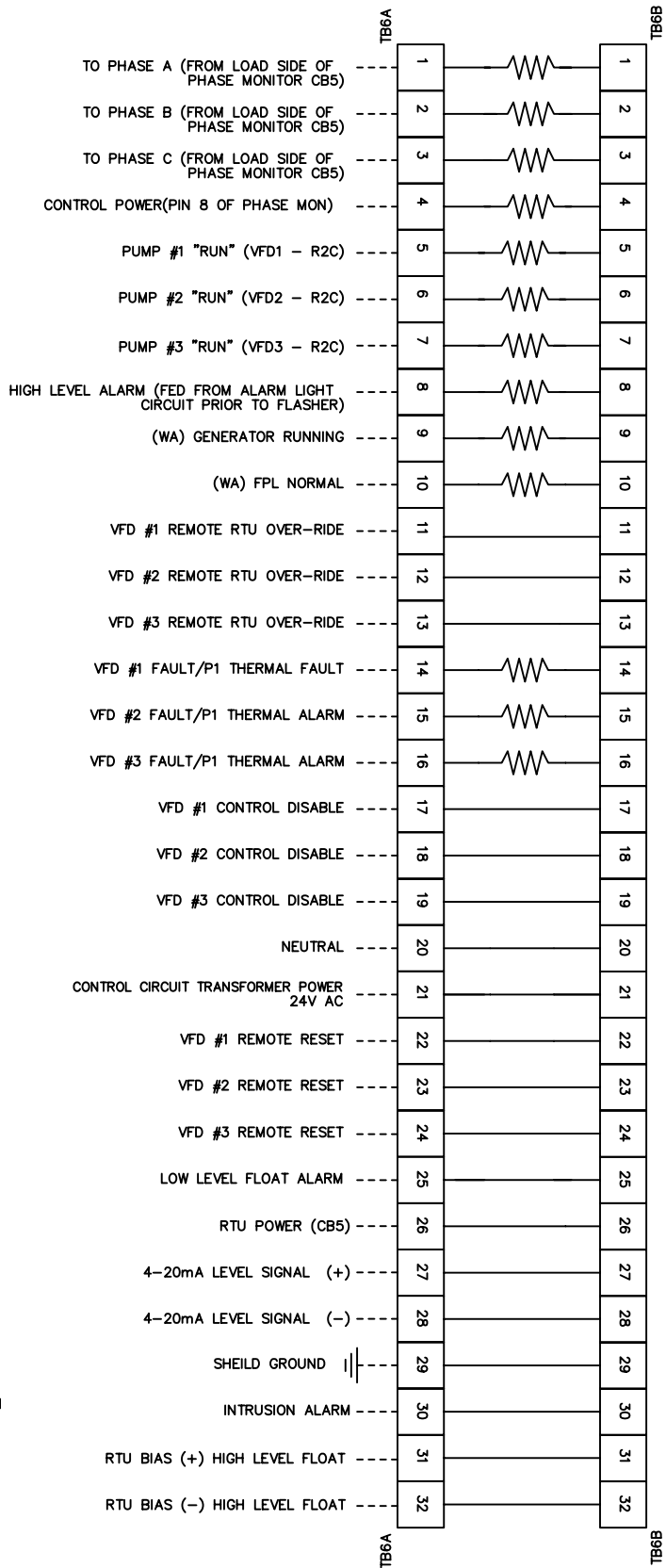


ALL WIRES SHALL BE CLEARLY NUMBERED/ LABELED AT EACH CONNECTION/ TERMINATION.

THIS DETAIL CONSTITUTES MINIMUM STANDARDS. DESIGN ENGINEERS SHALL PROVIDE STANDARDS EQUAL TO OR GREATER THAN THESE.

TRIPLEX: 460VAC - 3PH - 4W - 60HZ

FOR:	UTILITIES DEPARTMENT	CITY OF NAPLES
DATE: NOV. 2011	TRIPLEX PUMP CONTROL PANEL	SHEET: WW-54
DRAWN: DAG	CONTROL WIRING LAYOUT2	DIR: WASTEWATER
SCALE: N.T.S.	380 RIVERSIDE CIRCLE, NAPLES, FLORIDA, 34102	DWG. WW-54.DWG



ALL WIRES SHALL BE CLEARLY NUMBERED/ LABELED AT EACH CONNECTION/ TERMINATION.

NOTES:

**5A. TB6A & TB6B SHALL BE INSTALLED IN THE CONTROL PANEL AS DESCRIBED IN DRAWING WW-51, WITH UN-OBSTRICTED ACCESS AND A MINIMUM OF 1.5" SEPARATION FOR THE INSTALLATION OF THE RESISTORS AND JUMPER WIRES.

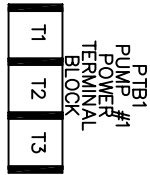
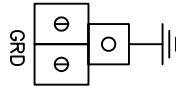
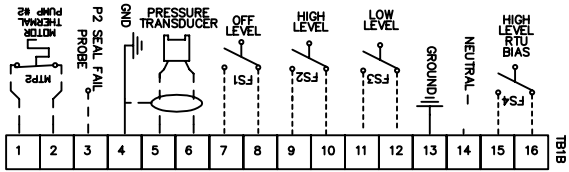
**5B. ALL REQUIRED RESISTORS SHALL BE RATED AT 94K OHM @ 2 WATTS +/-5% MINIMUM.

**5C. TERMINAL BLOCKS TB6A & TB6B SHALL BE SQ D 9080 SERIES OR EQUAL.

THIS DETAIL CONSTITUTES MINIMUM STANDARDS. DESIGN ENGINEERS SHALL PROVIDE STANDARDS EQUAL TO OR GREATER THAN THESE.

TRIPLEX: 460VAC - 3PH - 4W - 60HZ

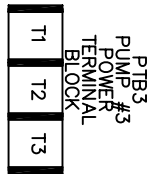
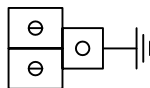
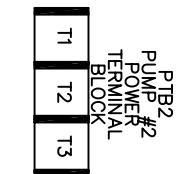
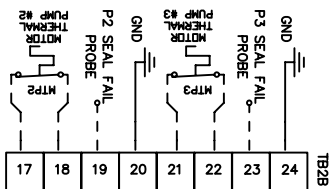
FOR:	UTILITIES DEPARTMENT	CITY OF NAPLES
DATE: NOV. 2011	TRIPLEX PUMP CONTROL PANEL	SHEET: WW-55
DRAWN: DAG	RTU INTERFACE TERMINAL DETAIL	DIR: WASTEWATER
SCALE: N.T.S.	380 RIVERSIDE CIRCLE, NAPLES, FLORIDA, 34102	DWG. WW-55.DWG



JUNCTION BOX 1 BACKPLATE LAYOUT

REQUIRED TERMINATIONS IN SPECIFIED JUNCTION BOX

- 6A. LAYOUT MAY VARY SLIGHTLY AS REQUIRED
- 6B. BACKPLATE SHALL BE ALUMINUM.
- 6C. THE J-BOX SHALL BE ALUMINUM, 3, 4, OR 4X AS REQUIRED, WITH EXTERNAL MOUNTING BRACKETS, HINGED DOOR, GASKET SEAL, DRIP EDGE, & LOCKABLE.
- 6D. THE J-BOX(S) SHALL BE SIZED TO PROPERLY ACCOMMODATE ALL CONDUITS, FITTINGS, TERMINAL BLOCKS, AND SPECIFIED WIRING WITH ADEQUATE CLEARANCES AND SPACING. MINIMUM 16"X16"X 8"D. JUNCTION BOX CAN NOT EXCEED 16" HIGH. IF SPACING REQUIREMENTS REQUIRE MORE AREA, THE J-BOX SHALL BE MADE WIDER INSTEAD OF HIGHER PER SPACE FILL REQUIREMENTS.
- 6E. THE TERMINAL BLOCKS, POWER BLOCKS, LUGS, AND WIRE RACE SHALL BE MOUNTED AS SHOWN IN THE ABOVE DETAIL. TB1B SHALL BE SO D SERIES 9080 - 30AMP RATED OR EQUAL. POWER BLOCKS AND LUGS SHALL BE SIZED ONE SIZE LARGER THAN REQUIRED LOADS.



JUNCTION BOX 2 BACKPLATE LAYOUT

REQUIRED TERMINATIONS IN SPECIFIED JUNCTION BOX

- 6F. FOR CITY IN-HOUSE INSTALLATIONS: **CONTACT CITY MAINTENANCE SUPERVISOR** TO DETERMINE IF THE SPECIFIED J-BOX(S) SHALL BE FULLY MOUNTED TO THE ENCLOSURE OR SUPPLIED WITH THE CONTROL PANEL; ALONG WITH THE REQUIRED MYERS HUBS, A/SS NIPPLES, SEAL-OFFS AS REQUIRED BY CITY UTILITY STANDARDS; BUT WILL BE FIELD INSTALLED AND WIRED BY CITY PERSONNEL.
- 6G. FOR CONTRACTOR/DEVELOPER INSTALLED PROJECTS: THE SPECIFIED J-BOX SHALL BE SUPPLIED/INSTALLED WITH THE CONTROL PANEL; ALONG WITH THE REQUIRED MYERS HUBS, ALL/SS NIPPLES, SEAL-OFFS, AND WIRING; AS REQUIRED BY CITY UTILITY STANDARDS

TRIPLEX: 460VAC - 3PH - 4W - 60HZ

THIS DETAIL CONSTITUTES MINIMUM STANDARDS. DESIGN ENGINEERS SHALL PROVIDE STANDARDS EQUAL TO OR GREATER THAN THESE.

FOR:	UTILITIES DEPARTMENT	CITY OF NAPLES
DATE: NOV. 2011	TRIPLEX PUMP CONTROL PANEL J-BOX BACKPLATE(S) LAYOUT	SHEET: WW-56
DRAWN: DAG		DIR: WASTEWATER
SCALE: N.T.S.	380 RIVERSIDE CIRCLE, NAPLES, FLORIDA, 34102	DWG. WW-56.DWG

ALL WIRES SHALL BE CLEARLY NUMBERED/ LABELED AT EACH CONNECTION/ TERMINATION.

QTY	TAG LABEL	ITEM DESCRIPTION	ITEM PART NO.
2	MCB/GCB	SQD MAIN/GEN CIRCUIT BREAKER 3POLE, ___AMP, ___VAC SIZED FOR TOTAL LOAD	FAL34_____
3	PCB1/PCB2\PCB3	SQD PUMP1/PUMP2/PUMP3 CIRCUIT BREAKER 3POLE, ___AMP, ___VAC SIZED FOR PUMP LOAD	FAL34_____
3	CB1/CB4/CB5	SQD: 1POLE, 15AMP, 120VAC	QUOI15 15 AMP
2	CB2/CB3	SQD: 1POLE, 20AMP, 120VAC	QUOI20 20 AMP
1	CB11	SQ D DIN MOUNT MINI 3 POLE- PHASE MONITOR BREAKER	MG SERIES 0.5 AMP 480V
1	CB12	SQ D DIN MOUNT MINI 2 POLE - CP TRANSFORMER LINE BKR	MG SERIES __ AMP 480V
1	CB13	SQ D DIN MOUNT MINI 1 POLE - CP TRANSFORMER LOAD BKR	MG SERIES __ AMP 120V
1	CB14	SQ D DIN MOUNT MINI 1 POLE - CC TRANSFORMER LINE BKR	MG SERIES __ AMP 120V
1	CB15	SQ D DIN MOUNT MINI 1 POLE - CC TRANSFORMER LOAD BKR	MG SERIES __ AMP 24V
1	PDB1	3POLE,600V, MULTI-TAP (SIZED AS REQUIRED)	AS REQUIRED
1	PDB2	MULTI-TAP (SIZED AS REQUIRED)	AS REQUIRED
1	LA	ADVANCE PROTECTION TECHNOLOGIES: 480V, 3 PHASE	TE04XCS104X
3	VFD1/VFD2/VFD3	SQD/SHNIDERSELECT: ALTIVAR312 FOR <20HP, 61AR FOR >=20HP	ALTIVAR NO EQUAL
1	PM	PHASE MONITOR 8-PIN, 480VOLT/3 PHASE AS REQUIRED	AS REQUIRED
1	CPT	SQD: CONTROL POWER TRANSFORMER 460V-120V, ___KVA, 1PH , AS REQUIRED BY LOAD.	9070-K_____
1	CCT	SQD: CONTROL CIRCUIT TRANSFORMER 50VA, 120V-24V, 1 PH	9070-KF50D23
1	FL	SSAC FLASHER - 90 FPM, 120V, SS	FS127
1	AL	ALARM LIGHT RED 120V	LRX40
1	DLPC	DEVAR, INC.: DUPLEX PUMP CONTROLLER	3020-4
1	PT	WIKA PRESSURE TRANSDUCER	LS-10/0-15PSI W/50' CABL
14	RB8	OMRON 8 PIN OCTAL RELAY BASE	PF083A
5	RB11	OMRON 11 PIN OCTAL RELAY BASE	PF113A
1	R1	8 PIN,24V W/LAMP FLOAT PUMP 'ON' RELAY	AS REQUIRED
1	R17	11 PIN,24V W/LAMP PANEL INTRUSION RELAY	AS REQUIRED
3	R2/R12/R22	8 PIN,115V W/LAMP VFD1/2/3 RUN COMMAND RELAY	AS REQUIRED
3	R14/R24/R34	8 PIN,115V W/LAMP VFD1/2/3 REDMTE RESET RELAY	AS REQUIRED
3	R5/R6/R7	8 PIN,115V W/LAMP P1/P2/P3 CALL RELAY	AS REQUIRED
3	R8/R9/R10	8 PIN,115V W/LAMP P1/P2/P3 DISABLE RELAY	AS REQUIRED
1	R4	8 PIN,115V W/LAMP CONTROLLER HIGH LEVEL ALARM RELAY	AS REQUIRED
3	R13/R23/R33/R18	11 PIN, 24V W/LAMP P1/P2/P3 VFD FAULT/THERMALN & LOW LEVEL FLOAT CUT OFF RELAYS	AS REQUIRED
2	TD1/TD2	SSAC: 60SEC,24VAC, SS, DN, 8-PIN, 24V TIME DELAY RELAY	PRM-23
3	SS1/2/3	SQD: H.O.A. PUMP 1, 2, & 3 SELECTOR SWITCH	9001-SKS43BH1
3	RL13/17/21	SQD: PUMP 1, 2, & 3 RUN PILOT LIGHTS 'GREEN' 110V	9001-SKP38G9
3	PL14/18/22	SQD: PUMP 1, 2, & 3 THERMAL ALARM PILOT LIGHTS 'RED' 110V	9001-SKP38R9
1	PL23	SQD: HIGH LEVEL ALARM PILOT LIGHT 'RED' 24V	9001-SKP35R9
3	ETM1/2/3	P1/2/3 ELAPSE TIME HOUR METER	480-2079-ND
4	GRDL	ANDERSON: DOUBLE GROUND LUG	3306-DU-0
AR	TB1A,TB1B, TB2B, TB6A,TB6B,TB4	SQD: TERMINAL BLOCKS 30AMP	9080-GM6
AR	TBEB	SQD: TERMINAL BLOCK END BARRIER	9080-GM6B
AR	TBEC	SQD: TERMINAL BLOCK END CLAMP	9080-GH10
1	DR	DUPLEX RECEPTICLE 20AMP GFCI W/COVER PLATE	AR
AR	DS	DOOR SWITCHES: INTRUSION ALARM. HD MAGNETIC OR MECHANICAL	AR
1	LB	LIGHT BAR: 27" LED STRIP	PORTFOLIO 29125
1	NEU	BUCHANAN: #12-1/0 WIRE 1 POLE	824 DR EQUAL
AR	RES	RESISTORS: 94K OHM, 2 WATT, +/- 5% MIN.	
3	PTB1/2/3	3 POLE, 600 VOLT, SIZED TO WIRE REQUIREMENTS	AS REQUIRED
1	FAN	COOLING FAN ASSEMBLY. BY HOFFMAN OR APPROVED EQUAL.	TFP41
1	EXH	EXHAUST ASSEMBLY. BY HOFFMAN OR APPROVED EQUAL.	TEP4
AR	EYE	CAST ALUMUNUM: SEAL OFF SIZED AS REQUIRED BY FILL CODE. 2" MIN	AS REQUIRED
AR	HB	MYERS HUBS: SIZED AS REQUIRED BY FILL. 2" MIN. (1 PER PUMP, 1 FOR CONTROLS)	AS REQUIRED
AR	NP	S.S. OR AL THREADED NIPPLES. 2" MIN	AS REQUIRED
AR	J-BOX	BY MANUFACTURER (MIN 16"X16"X8") MIN SIZE PER FILL REQUIREMENT. NEMA 3, 4, OR 4X AS REQUIRED AL, SS HINGES, GASKETED, & DRIP EDGE. (LARGER UNITS MAY REQUIRE 2 J-BOX)	AS REQUIRED
1	ENC	BY MANUFACTURER: SIZED PER ALIGNMENT, SPACING, AND FILL REQUIREMENTS. NEMA 3R, 4, OR 12 AS REQUIRED. 3 POINT LATCH SYSTEM ON DOOR. AL BACKPLATE, SS HARDWARE.	AS REQUIRED
1	GR	GENERATOR RECEPTICLE W/ANGLE: MINIMUM OF 100 AMP. SIZE AS REQUIRED	HUBBLE:
1	MISC HARDWARE	ALL DIN RAIL, SCREWS, BOLTS, NUTS, SEALANTS, ADHEASIVES, AND MISC. HARWARE AND SUPPLIES NECESSARY FOR JOB.	

AR = AS REQUIRED

TRIPLEX: 460VAC - 3PH - 4W - 60HZ

PANEL MANUFACTURER MUST PROVIDE SUBMITTALS FOR ALL MATERIALS AND COMPONENTS TO BE UTILIZED FOR THIS PROJECT BEFORE ANY ASSEMBLY IS INITIATED. THE CITY RESERVES THE RIGHT TO REJECT ANY AND ALL MATERIAL OR COMPONENT NOT MEETING STANDARDS.

FOR:	UTILITIES DEPARTMENT	CITY OF NAPLES
DATE: NOV. 2011	TRIPLEX PUMP CONTROL PANEL	SHEET: WW-57
DRAWN: DAG	SCHEDULE OF MATERIALS	DIR: WASTEWATER
SCALE: N.T.S.	380 RIVERSIDE CIRCLE, NAPLES, FLOIRDA, 34102	DWG. WW-57.DWG

CONTROL PANEL NOTES:

Panel designer may make changes in materials and component manufacturer, with City Utilities Engineer's approval only.

Manufacturer shall list any additional equipment necessary to provide a clean, neat, professional, and Code compliant control panel; such as: Lugs, distribution terminals, wire races, etc..

The panel manufacturer shall provide two (2) sets of As-Built drawings in hard copy, and the drawings shall be provided in Dwg 2004 format, on a CD.

A laminated As-Built Ladder Diagram shall be attached to the inside of the outer control panel door.

The Control Panel Enclosure shall be Type 14 gauge minimum Aluminum, NEMA 3R, 4, or 12 as required, gasketed, with: A padlockable hasp, three point latch system (one each per door if more than one door is required), wind restrainer arm(s) that includes all hardware to restrain both the main and dead front door(s) when open; backplate(s), and drip edge that extends the entire length of the top of the enclosure.

The Junction Box Enclosure shall be Type 14 gauge minimum Aluminum, NEMA 3, 4, or 4X as required, gasketed, with: A padlockable hasp, hinged door. The Junction Box shall have an Aluminum back plate for component mounting. The Junction Box shall have industrial grade terminal strips of sufficient size and spacing, as required by these specifications. The Junction Box shall be isolated from the Control Panel with the properly sized seal-off fittings (not to exceed 80% capacity), pre-wired, and supplied with epoxy sealant per manufacturer recommendations. The epoxy sealant shall be supplied with but installed on site after all connections are made, confirmed, and accepted by the City. The J-Box shall be mounted to the panel using Myers Hubs at both panels, Al or SS threaded nipples, and Cast AL Vertical EYE fittings.

The Control Panel Enclosure and the Junction Box Enclosure shall be shipped: Pre-wired, Pre-tested, and complete as one unit, unless this creates a shipping hazard. If the J-Box requires removal for shipping, all wires shall be properly tagged and protected during shipping. The enclosures and components shall be properly packed to prevent damage and loss during shipment to our Naples location.

All Panduit (or equal) wire raceways shall not be filled in excess of 80% capacity. All wires extending outside of a raceway in excess of 5" shall be held in place with plastic wire ties. All wiring shall be neat and un-tangled.

All wires shall be properly labeled at each termination point. All wires and terminals shall be rated according to NEC standards.

TRIPLEX: 460VAC - 3PH - 4W - 60HZ

FOR:	UTILITIES DEPARTMENT	CITY OF NAPLES
DATE: NOV. 2011	<i>TRIPLEX PUMP CONTROL PANEL</i>	SHEET: WW-58
DRAWN: DAG	<i>CONTROL PANEL NOTES</i>	DIR: WASTEWATER
SCALE: N.T.S.	380 RIVERSIDE CIRCLE, NAPLES, FLOIRDA, 34102	DWG. WW-58.DWG

CONTROL PANEL MINIMUM LABELING REQUIREMENTS

LABEL	QUANT	COLOR	DESCRIPTION
MCB	2	BLACK	MAIN CIRCUIT BREAKER
GCB	2	BLACK	GENERATOR CIRCUIT BREAKER
PCB1	2	BLACK	PUMP 1 CIRCUIT BREAKER
PCB2	2	BLACK	PUMP 2 CIRCUIT BREAKER
PCB3	2	BLACK	PUMP 3 CIRCUIT BREAKER
CB1	1	BLACK	CONTROL CIRCUIT BREAKER
CB2	1	BLACK	RECEPTICLE CIRCUIT BREAKER
CB3	1	BLACK	SPARE CIRCUIT BREAKER
CB4	1	BLACK	LIGHTING/FAN CIRCUIT BREAKER
CB5	2	BLACK	RTU POWER CIRCUIT BREAKER
VFD1	1	BLACK	VARIABLE FREQUENCY DRIVE 1
VFD2	1	BLACK	VARIABLE FREQUENCY DRIVE 2
VFD3	1	BLACK	VARIABLE FREQUENCY DRIVE 3
CB11	1	BLACK	PHASE MONITOR CIRCUIT BREAKER
CB12	1	BLACK	CONTROL POWER TRANSFORMER LINE CIRCUIT BREAKER
CB13	1	BLACK	CONTROL POWER TRANSFORMER LOAD CIRCUIT BREAKER
CB14	1	BLACK	CONTROL CIRCUIT TRANSFORMER LINE CIRCUIT BREAKER
CB15	1	BLACK	CONTROL POWER TRANSFORMER LOAD CIRCUIT BREAKER
PM	1	BLACK	PHASE MONITOR
CPT	1	BLACK	CONTROL POWER TRANSFORMER
CCT	1	BLACK	CONTROL CIRCUIT TRANSFORMER
R1	1	BLUE	FLOAT PUMP START/LATCH RELAY
R17	1	BLUE	PANEL INTRUSION RELAY
R2	1	BLUE	VFD1 RUN COMMAND RELAY
R12	1	BLUE	VFD2 RUN COMMAND RELAY
R22	1	BLUE	VFD3 RUN COMMAND RELAY
R14	1	BLUE	VFD1 REMOTE RESET RELAY
R24	1	BLUE	VFD2 REMOTE RESET RELAY
R34	1	BLUE	VFD3 REMOTE RESET RELAY
R5	1	BLUE	P1 CALL RELAY
R6	1	BLUE	P2 CALL RELAY
R7	1	BLUE	P3 CALL RELAY
R8	1	BLUE	P1 DISABLE RELAY
R9	1	BLUE	P2 DISABLE RELAY
R10	1	BLUE	P3 DISABLE RELAY
R13	1	BLUE	P1 VFD FAULT/THERMAL FAIL ALARM RELAY
R23	1	BLUE	P2 VFD FAULT/THERMAL FAIL ALARM RELAY
R33	1	BLUE	P3 VFD FAULT/THERMAL FAIL ALARM RELAY
R18	1	BLUE	LOW LEVEL FLOAT CUT OFF RELAY
R4	1	RED	HIGH LEVEL ALARM (CONTROLLER) RELAY
TD1	1	BLUE	FLOAT OPERATED SECOND PUMP ON TIME DELAY RELAY
TD2	1	BLUE	FLOAT OPERATED THIRD PUMP ON TIME DELAY RELAY
TB4	1	BLUE	ALARM LIGHT TERMINAL BLOCK
TB1A	1	BLUE	PANEL CONTROLS TERMINAL BLOCK
TB1B	1	BLUE	J-BOX1 CONTROLS TERMINAL BLOCK
TB2B	1	BLUE	J-BOX2 CONTROLS TERMINAL BLOCK
TB6A	1	BLUE	RTU INTERFACE TERMINAL BLOCK A
TB6B	1	BLUE	RTU INTERFACE TERMINAL BLOCK B
P1 RUN	1	BLUE	P1 RUN PILOT LIGHT
P2 RUN	1	BLUE	P2 RUN PILOT LIGHT
FLASH	1	RED	FLASHER FOR HIGH LEVEL
P1 THERML	1	RED	P1 THERMAL OVERLOAD ALARM PILOT LIGHT
P2 THERML	1	RED	P2 THERMAL OVERLOAD ALARM PILOT LIGHT
HIGH LEVEL	1	RED	HIGH LEVEL ALARM PILOT LIGHT

Each switch, circuit breaker, indicating light, push button, relay, etc., shall have an engraved laminated plastic color coded nameplate mounted above of below the device for proper indentification; RED for alarm, BLACK for Power, and BLUE for level and controls. Letters shall be a minimum of 1/4" in height. A quality, long lasting adhesive shall be used for mounting the labels.

TRIPLEX: 460VAC - 3PH - 4W - 60HZ

FOR:	UTILITIES DEPARTMENT	CITY OF NAPLES
DATE: NOV. 2011	<i>TRIPLEX PUMP CONTROL PANEL PANEL LABELING DETAILS</i>	SHEET: WW-59
DRAWN: DAG		DIR: WASTEWATER
SCALE: N.T.S.	380 RIVERSIDE CIRCLE, NAPLES, FLOIRDA, 34102	DWG. WW-59.DWG